



US00D909726S

(12) **United States Design Patent**
Gaynor

(10) **Patent No.:** **US D909,726 S**

(45) **Date of Patent:** **** Feb. 9, 2021**

(54) **FOOTWEAR SOLE**

(71) Applicant: **Foot Care Store Inc.**, Wellington, FL
(US)

(72) Inventor: **Robert M. Gaynor**, Wellington, FL
(US)

(73) Assignee: **Foot Care Store Inc.**, Wellington, FL
(US)

(**) Term: **15 Years**

(21) Appl. No.: **29/689,062**

(22) Filed: **Apr. 26, 2019**

(51) **LOC (13) Cl.** **02-04**

(52) **U.S. Cl.**
USPC **D2/957; D2/947; D2/951; D2/953;**
D2/954; D2/960

(58) **Field of Classification Search**
USPC **D2/902, 906, 908, 916, 918, 925,**
D2/946-962, 972, 977; 36/3 B, 22 R,
36/24.5, 25 R, 28, 32 R, 34 R, 59 C,
36/67 A, 103
CPC **A47B 13/00; A47B 13/02; A47B 13/023;**
A47B 13/026; A47B 13/04; A47B 13/08;
A47B 13/10; A47B 13/14; A47B 13/141;
A47B 13/143; A47B 13/16; A47B 13/18;
A47B 13/181; A47B 13/187; A47B
13/189; A47B 13/20; A47B 13/22; A47B
13/223; A47B 13/24; A47B 13/28; A47B
13/30; A47B 13/32; A47B 13/34; A47B
13/36

See application file for complete search history.

(56) **References Cited**

U.S. PATENT DOCUMENTS

4,617,745 A * 10/1986 **Batra** **A43B 7/146**
36/28
5,950,332 A * 9/1999 **Lain** **A43B 17/08**
36/147

D421,832 S * 3/2000 **Loveder** **D2/951**
D439,393 S * 3/2001 **White** **D2/947**
D440,031 S * 4/2001 **White** **D2/947**
D459,064 S * 6/2002 **McClaskie** **D2/951**
6,446,359 B2 * 9/2002 **Tomat** **A43B 7/08**
36/28
D476,143 S * 6/2003 **McDowell** **D2/947**
D529,265 S * 10/2006 **Corbi Rico** **D2/957**
D570,080 S * 6/2008 **Feller** **D2/959**
D602,683 S * 10/2009 **Roundhouse** **D2/951**
D621,594 S * 8/2010 **Diaz** **D2/953**
D632,879 S * 2/2011 **Merkazy** **D2/953**
D702,431 S * 4/2014 **Lin** **D2/961**
D723,787 S * 3/2015 **Vasyli** **D2/961**
D735,454 S * 8/2015 **Yun** **D2/957**
D736,509 S * 8/2015 **Bikowski** **D2/958**
D739,128 S * 9/2015 **Vasyli** **D2/947**
D770,743 S * 11/2016 **Vasyli** **D2/961**

(Continued)

Primary Examiner — T Chase Nelson

(74) *Attorney, Agent, or Firm* — Whitmyer IP Group LLC

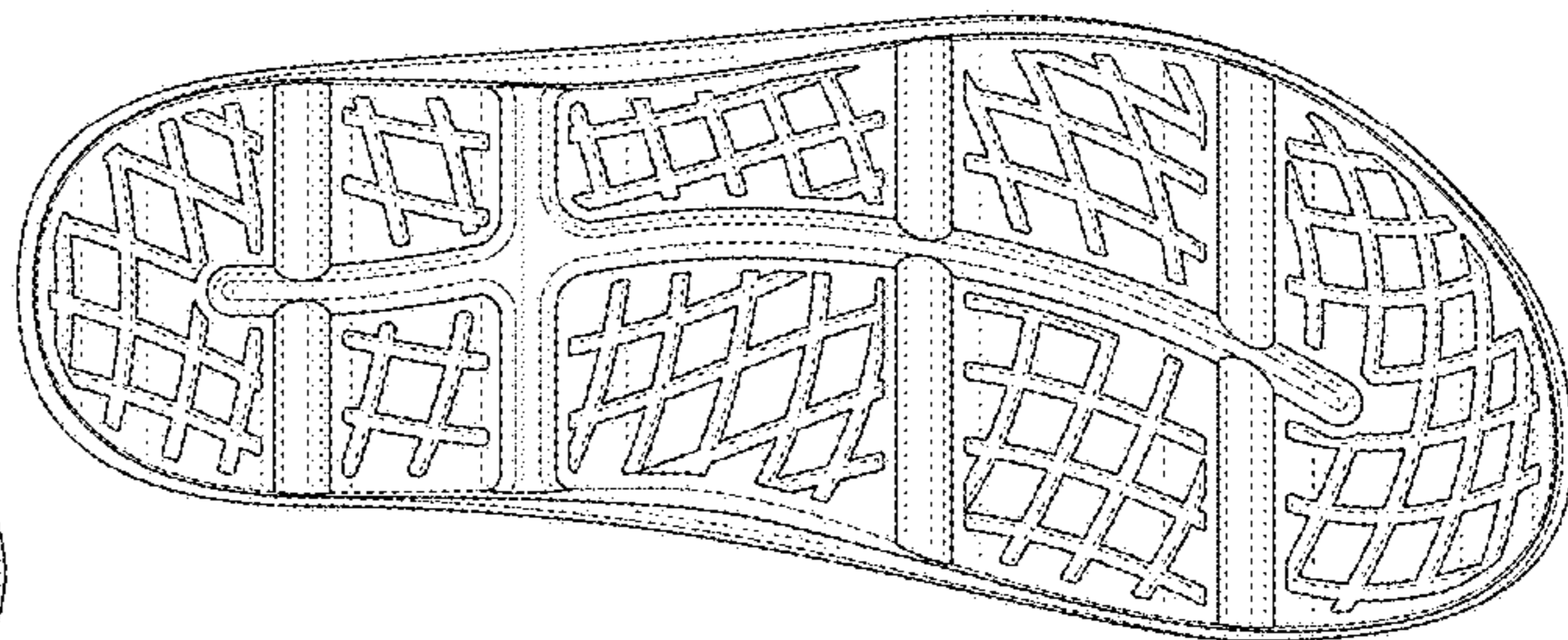
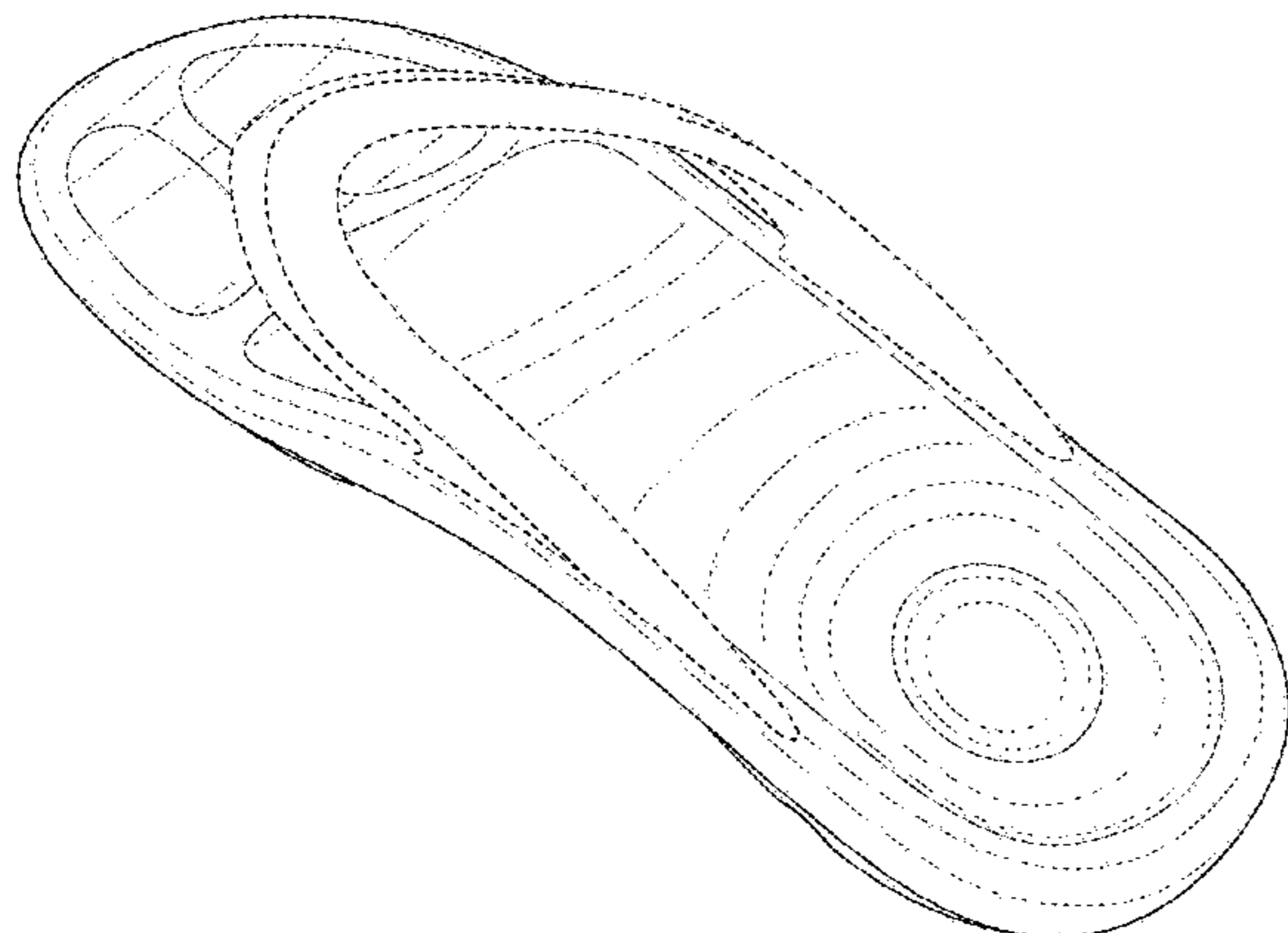
(57) **CLAIM**

The ornamental design for a footwear sole, as shown and described.

DESCRIPTION

FIG. 1 is a top, rear perspective view of a footwear sole in accordance with the new design;
FIG. 2 is a top plan view thereof;
FIG. 3 is a bottom plan view thereof;
FIG. 4 is a side elevation view thereof;
FIG. 5 is an opposite side elevation view thereof;
FIG. 6 is a front elevation view thereof;
FIG. 7 is a rear elevation view thereof; and,
FIG. 8 is a bottom, rear perspective view thereof.
The broken lines shown in the Figures show environmental structure that forms no part of the claimed design.

1 Claim, 7 Drawing Sheets



(56)

References Cited

U.S. PATENT DOCUMENTS

D773,163 S *	12/2016	Raasch	A43B 17/08	2010/0180474 A1 *	7/2010	Clark	A43B 13/223
				D2/960					36/3 B
D783,959 S *	4/2017	Chang	D2/947	2010/0212186 A1 *	8/2010	Cheng	A43B 17/003
D797,426 S *	9/2017	Wegener	D2/960					36/28
D801,658 S *	11/2017	Huard	D2/960	2011/0023215 A1 *	2/2011	Obradovic	A43B 3/16
D802,897 S *	11/2017	Howe	D2/953					2/239
D804,793 S *	12/2017	Lee	A43B 13/14	2012/0174439 A1 *	7/2012	O'Connor	A43B 7/142
				D2/957					36/91
D811,067 S *	2/2018	Matthews	D2/960	2012/0255198 A1 *	10/2012	Langvin	A43B 13/203
D812,872 S *	3/2018	Palmer	D2/947					36/29
D816,962 S *	5/2018	Ellis	D2/951	2012/0317838 A1 *	12/2012	Segel	A43B 7/16
D816,972 S *	5/2018	Pauk	D2/972					36/91
D838,090 S *	1/2019	Ellis	B29D 35/122	2012/0324763 A1 *	12/2012	Ellis, III	A43B 13/14
				D2/951					36/103
D843,095 S *	3/2019	Birkinhead	A43B 17/14	2013/0000153 A1 *	1/2013	Weidman	A43B 13/36
				D2/957					36/103
D844,946 S *	4/2019	Ellis	A43B 13/189	2013/0185955 A1 *	7/2013	Cheng	A43B 7/1485
				D2/916					36/28
D845,592 S *	4/2019	Ellis	A43B 13/14	2013/0291404 A1 *	11/2013	Follows	A43B 13/20
				D2/916					36/105
D845,593 S *	4/2019	Wurtz	A43B 13/148	2014/0150297 A1 *	6/2014	Holmes	A43B 5/06
				D2/916					36/103
D847,478 S *	5/2019	Fracassi	D2/957	2014/0230284 A1 *	8/2014	Craig	A43B 3/00
D851,885 S *	6/2019	Sebastian	D2/959					36/103
D869,825 S *	12/2019	Ellis	D2/916	2014/0259779 A1 *	9/2014	Hashish	A43B 7/144
D873,542 S *	1/2020	Ellis	D2/916					36/100
D881,544 S *	4/2020	Sebastian	D2/960	2014/0305009 A1 *	10/2014	Yeh	A43B 7/082
D889,792 S *	7/2020	O'Connor	D2/953					36/103
D889,797 S *	7/2020	Young	D2/957	2014/0345167 A1 *	11/2014	Al-Ani	A43B 13/148
2004/0216330 A1 *	11/2004	Swigart	A43B 13/189					36/25 R
				36/29	2015/0089836 A1 *	4/2015	Smaldone	A43B 23/22
2006/0137221 A1 *	6/2006	Dojan	B29D 35/122					36/84
				36/29	2015/0135558 A1 *	5/2015	Inomata	A43B 13/14
2006/0156575 A1 *	7/2006	Lo	A43B 13/203					36/25 R
				36/3 B	2016/0174656 A1 *	6/2016	Wolfrom	A43B 13/22
2007/0199211 A1 *	8/2007	Campbell	A43B 13/141					36/28
				36/59 R	2016/0219973 A1 *	8/2016	Cheney	A43B 13/12
2008/0229617 A1 *	9/2008	Johnson	A43B 3/0057	2016/0324260 A1 *	11/2016	Guyan	A43B 13/143
				36/102	2016/0353835 A1 *	12/2016	Hesterberg	A43B 7/1495
					2018/0092431 A1 *	4/2018	Iuchi	A43B 13/125
					2018/0295935 A1 *	10/2018	Giandolini	A43B 13/141
					2018/0303197 A1 *	10/2018	Chen	A43B 13/127
					2020/0221824 A1 *	7/2020	Gaynor	A43B 17/14

* cited by examiner

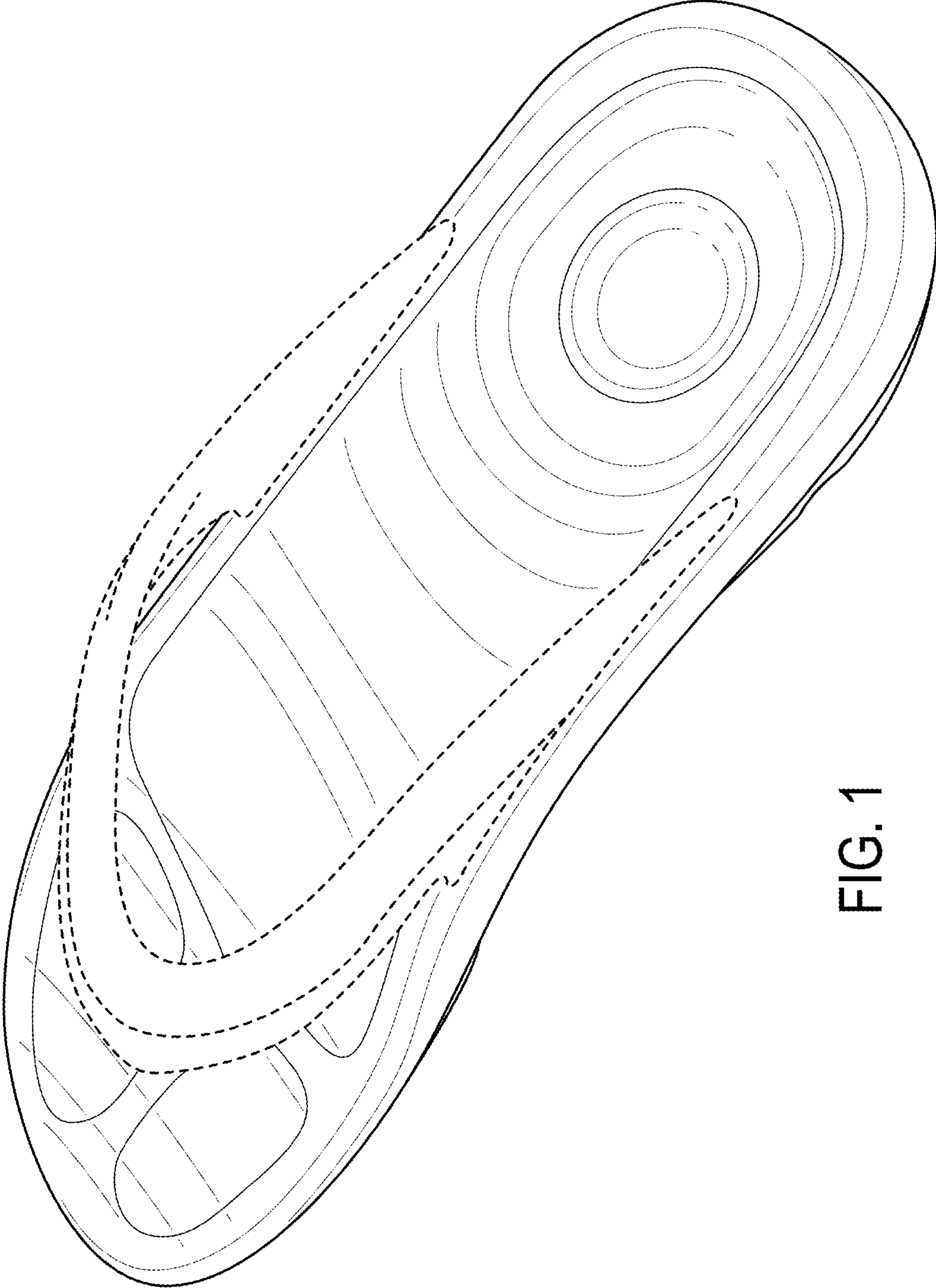


FIG. 1

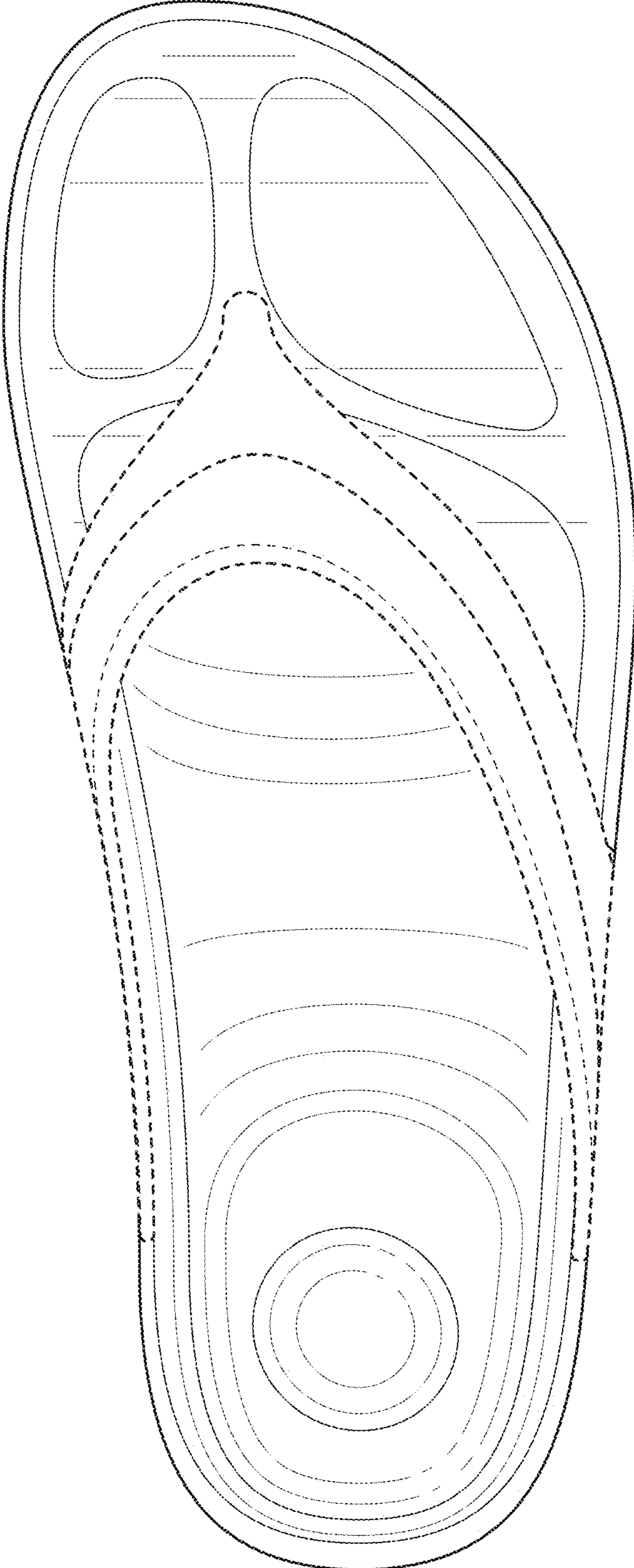


FIG. 2

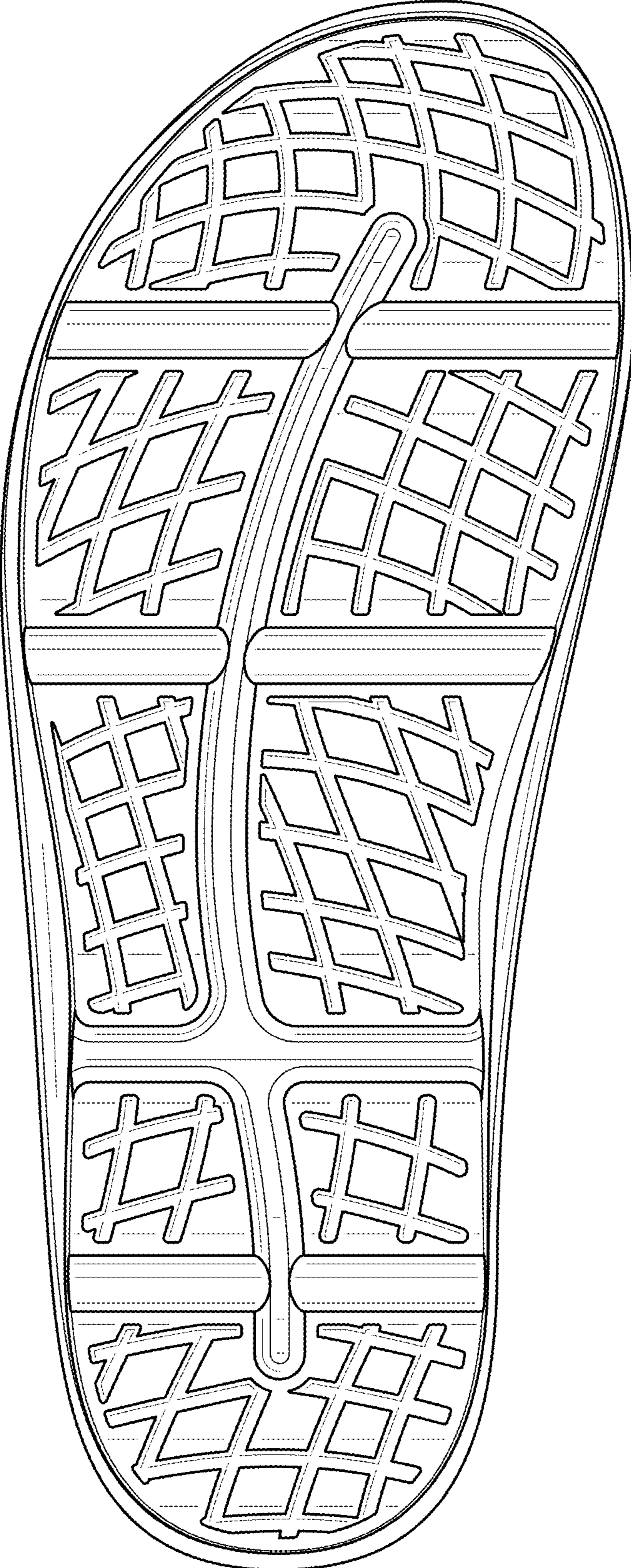


FIG. 3

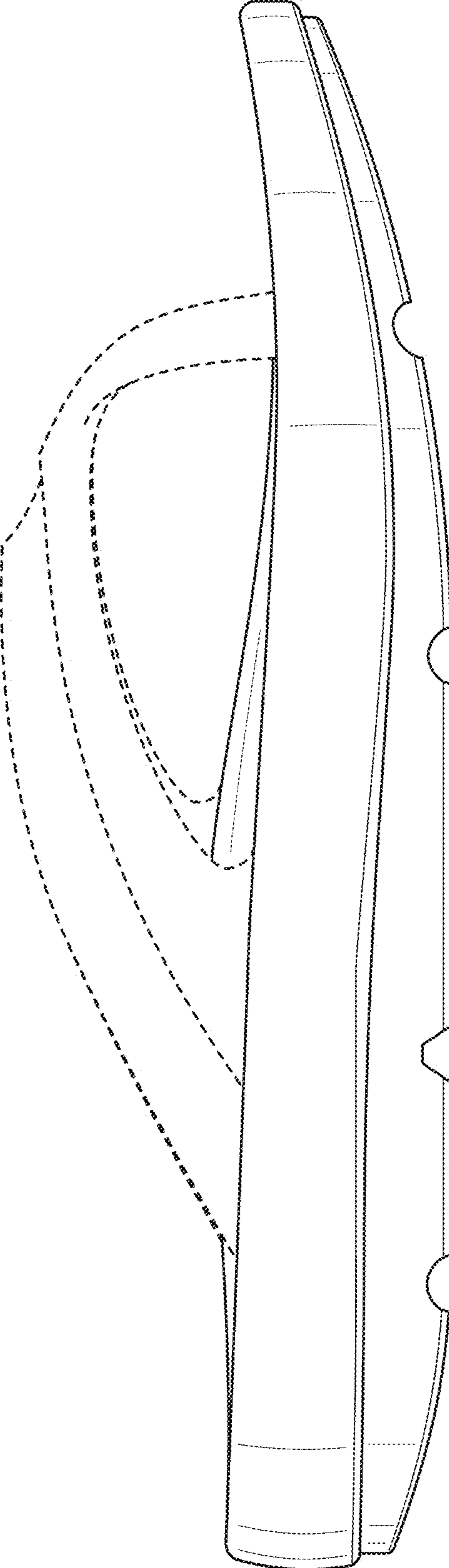


FIG. 4

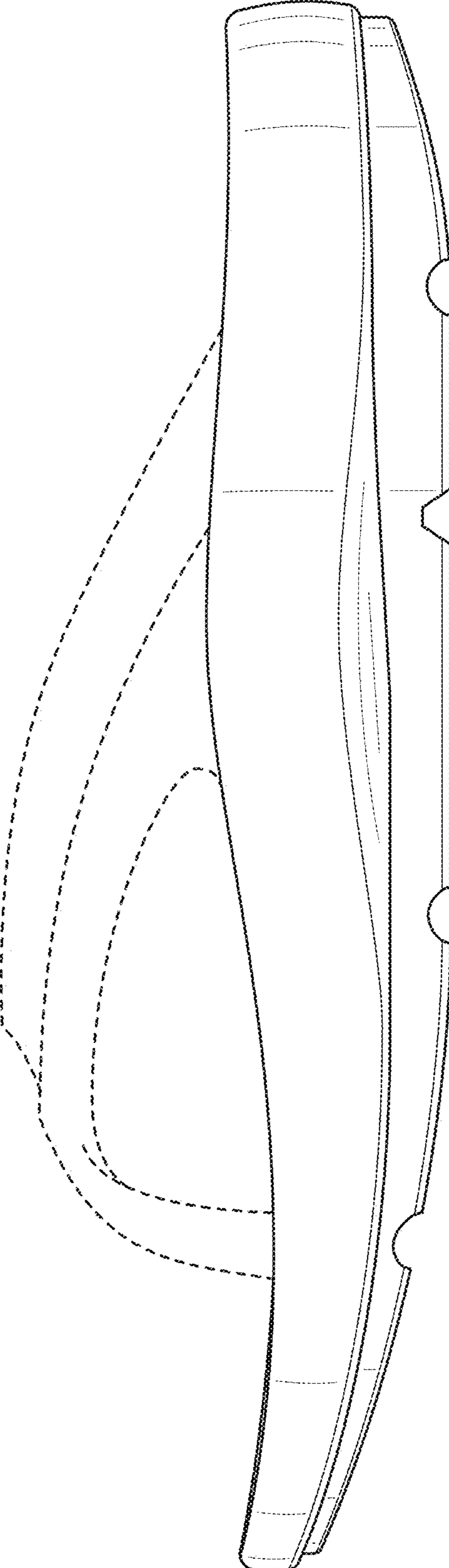


FIG. 5

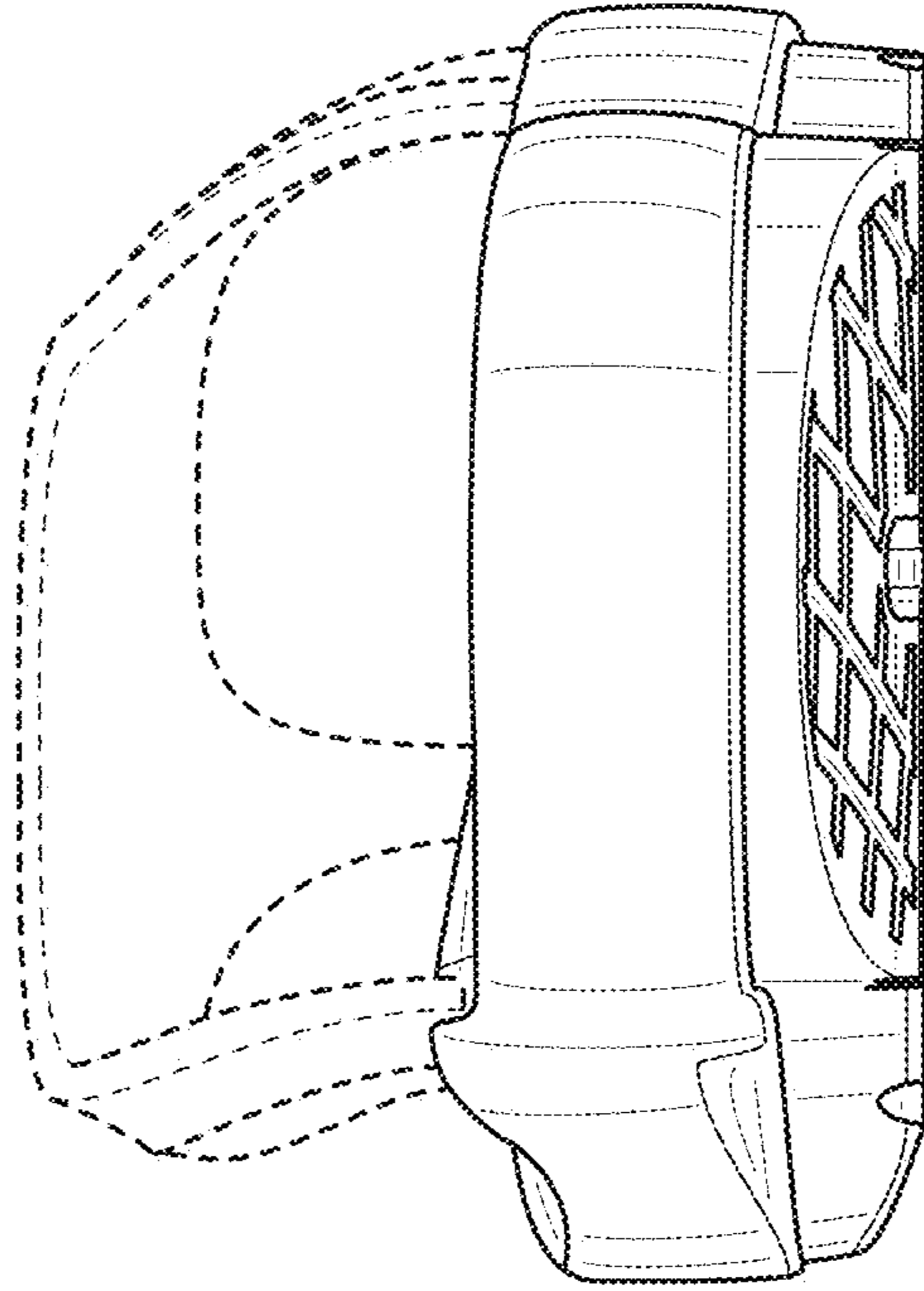


FIG. 6

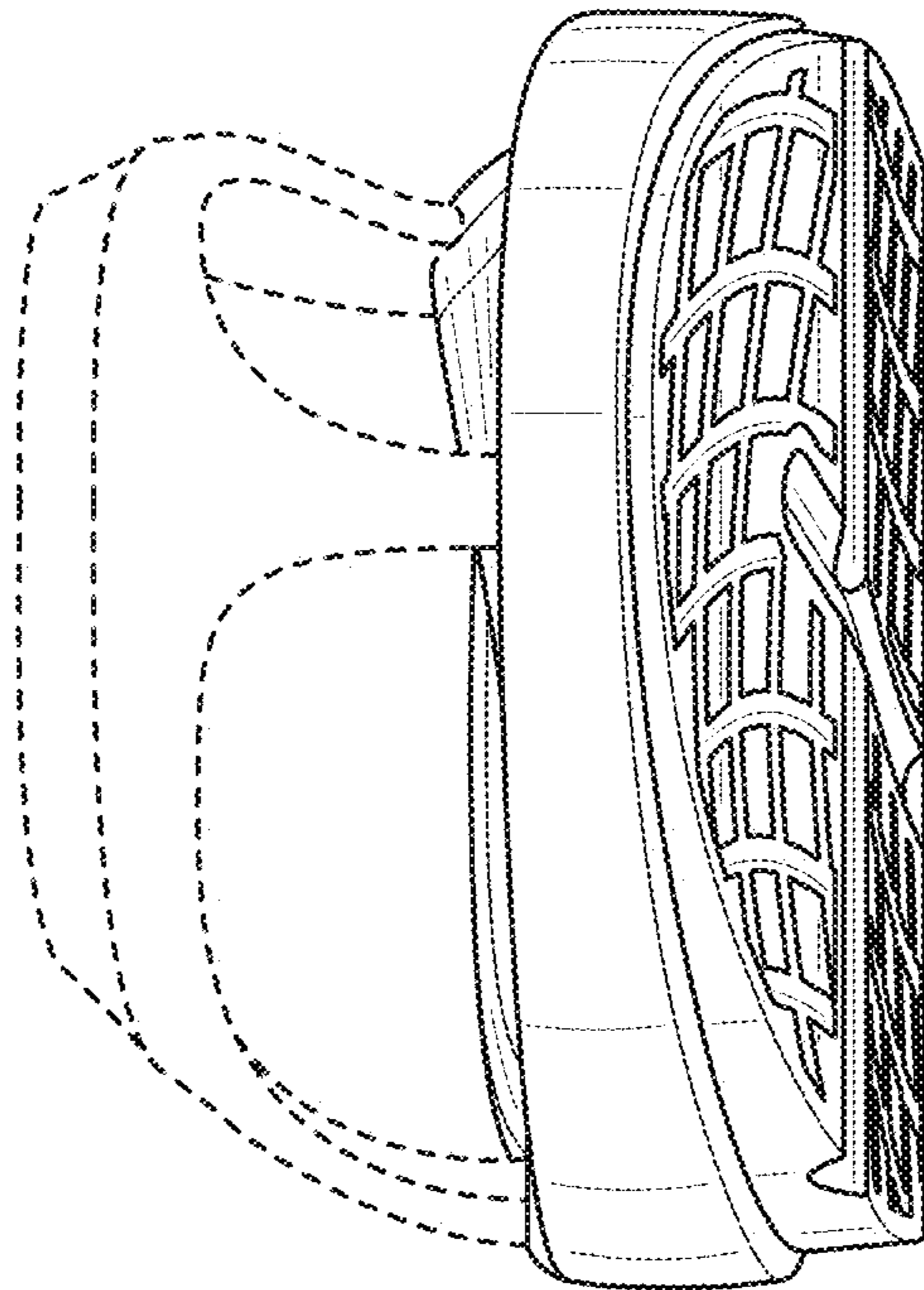


FIG. 7

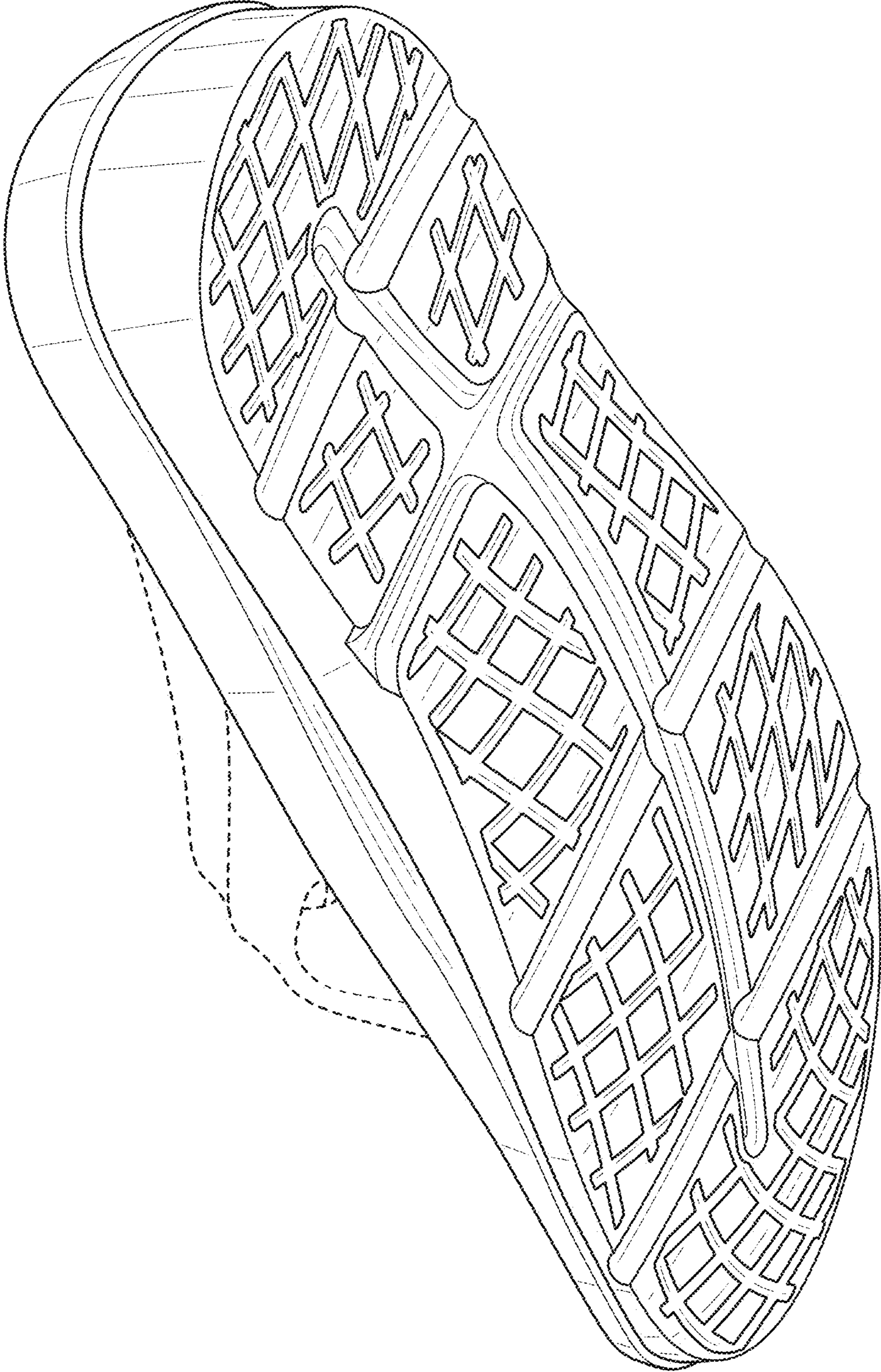


FIG. 8