



US00D909717S

(12) **United States Design Patent** (10) **Patent No.:** **US D909,717 S**
Mayhew (45) **Date of Patent:** **** Feb. 9, 2021**

- (54) **FOOTWEAR**
- (71) Applicant: **Crocs, Inc.**, Niwot, CO (US)
- (72) Inventor: **Alexander Jacob Mayhew**, Denver, CO (US)
- (73) Assignee: **Crocs, Inc.**, Niwot, CO (US)
- (**) Term: **15 Years**
- (21) Appl. No.: **29/679,764**
- (22) Filed: **Feb. 8, 2019**
- (51) **LOC (13) Cl.** **02-04**
- (52) **U.S. Cl.**
USPC **D2/923**; D2/916
- (58) **Field of Classification Search**
USPC D2/896-900, 916, 917-919, 923, 943,
D2/946, 969, 971, 972
CPC A43B 1/10; A43B 3/10; A43B 3/12; A43B
17/18; A43B 1/12
See application file for complete search history.

D667,612 S	9/2012	Del Biondi et al.	
D676,223 S	2/2013	Dill	
D690,488 S	10/2013	Reed et al.	
D732,808 S *	6/2015	Del Biondi	D2/923
9,282,787 B2	3/2016	Ferniani et al.	
D753,377 S *	4/2016	Bigolin	D2/907
D760,484 S	7/2016	Del Biondi et al.	
D802,904 S *	11/2017	Del Biondi	D2/972
D808,134 S *	1/2018	Laska	D2/932
D830,675 S	10/2018	Del Biondi et al.	
D833,124 S *	11/2018	Laska	D2/916
D833,125 S *	11/2018	Laska	D2/916
D833,126 S	11/2018	Laska	
D856,642 S *	8/2019	Abadjian	D2/923
D874,799 S	2/2020	Laska	
D876,051 S	2/2020	Abadjian	

* cited by examiner

Primary Examiner — Rashida C. Walshon
(74) *Attorney, Agent, or Firm* — Wilmer Cutler Pickering Hale and Dorr LLP

(57) **CLAIM**

The ornamental design for footwear, as shown and described.

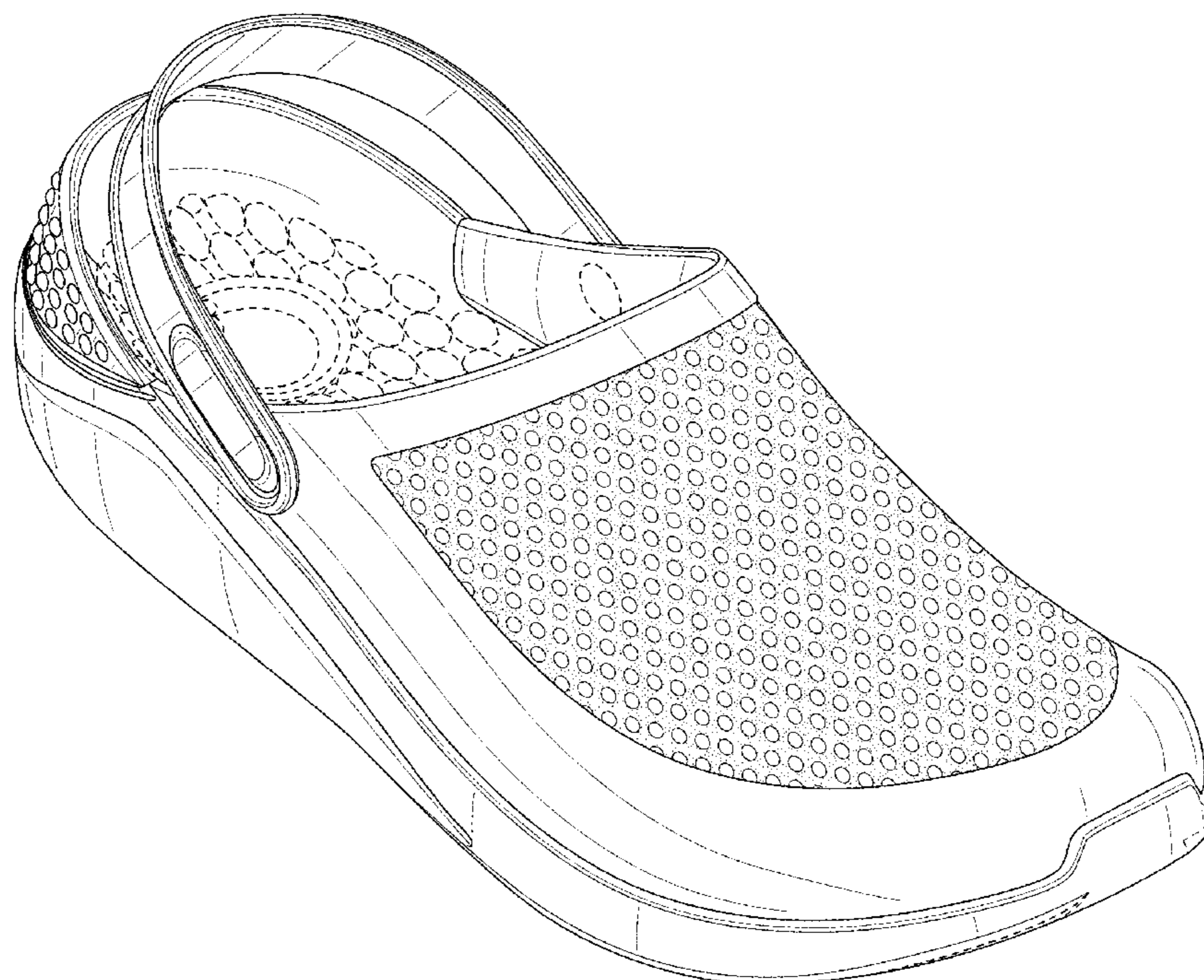
DESCRIPTION

FIG. 1 is a front perspective view of footwear;
FIG. 2 is a front view thereof;
FIG. 3 is a back view thereof;
FIG. 4 is an outer side elevational view thereof;
FIG. 5 is an inner side elevational view thereof;
FIG. 6 is a top view thereof; and,
FIG. 7 is a bottom view thereof.
The portions shown in dashed lines form no part of the claimed design.

1 Claim, 7 Drawing Sheets

(56) **References Cited**
U.S. PATENT DOCUMENTS

D381,794 S	8/1997	Gelli	
D517,789 S	3/2006	Seamans	
D529,263 S	10/2006	Wolf	
D532,590 S *	11/2006	Belley	D2/969
7,140,129 B2	11/2006	Newson et al.	
D545,032 S	6/2007	Wolf	
D545,033 S	6/2007	Wolf	
D567,483 S	4/2008	Liow	
D613,485 S	4/2010	Meador	
D642,773 S	8/2011	Liow	
D650,157 S	12/2011	Liow	



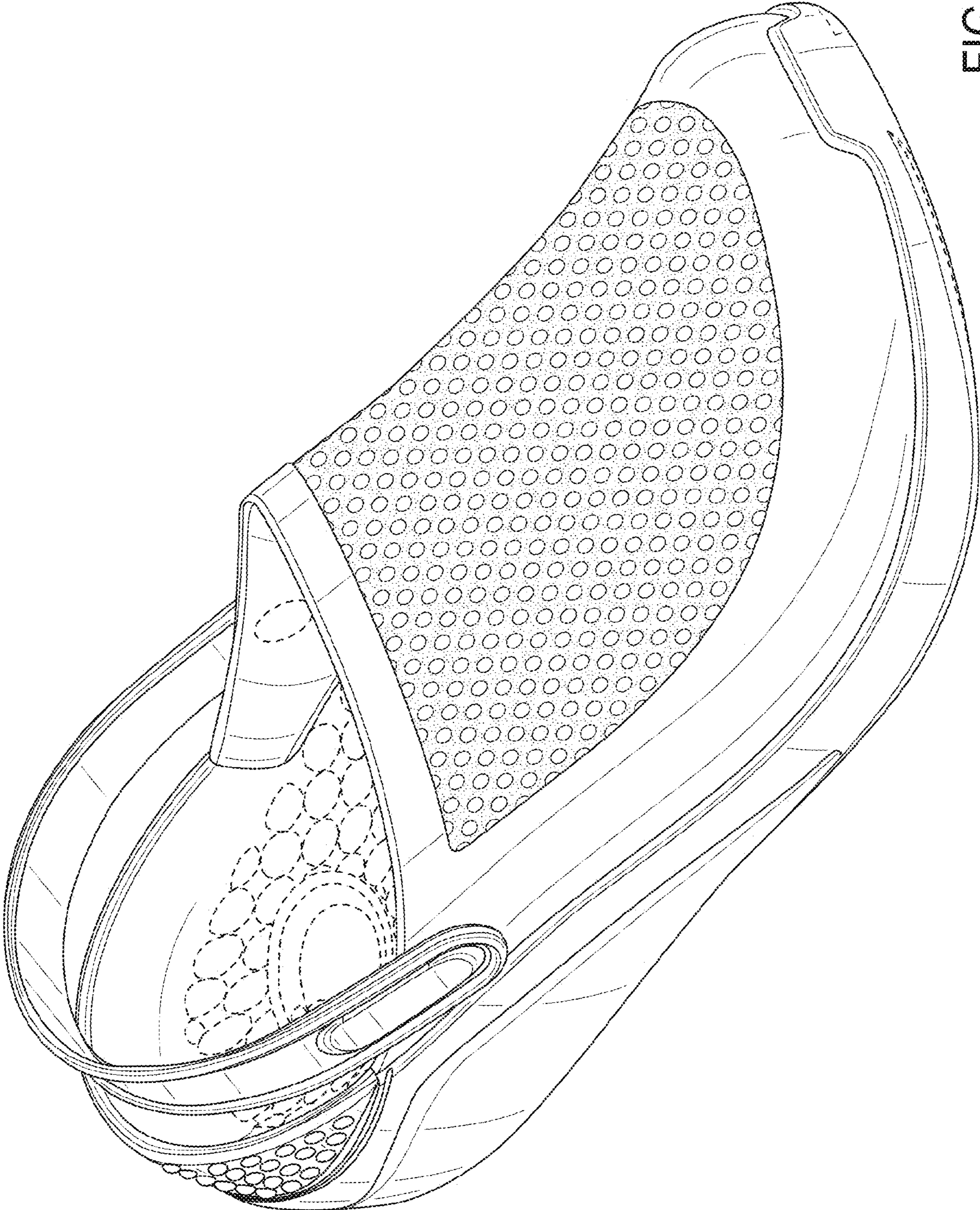


FIG. 1

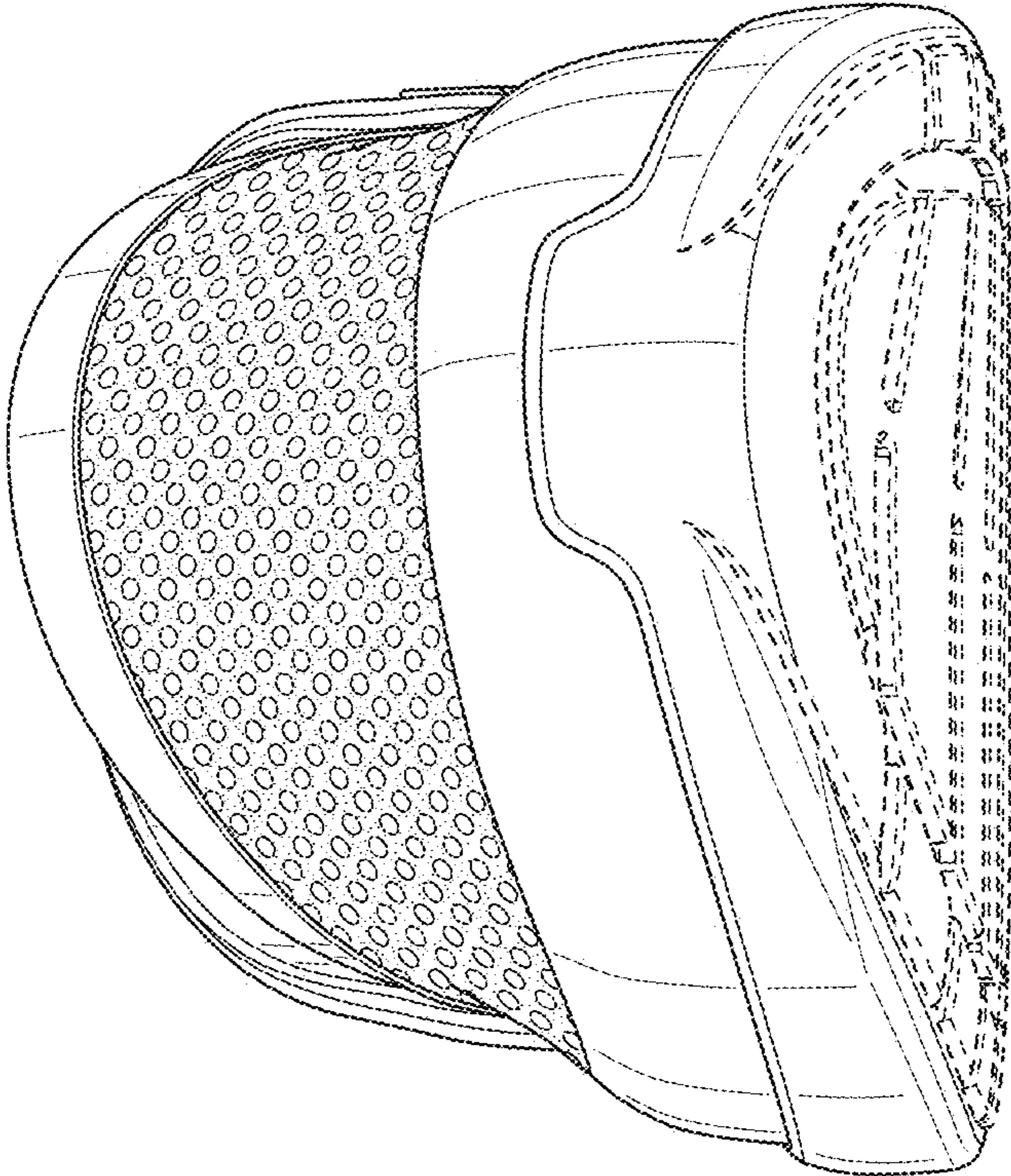


FIG. 2

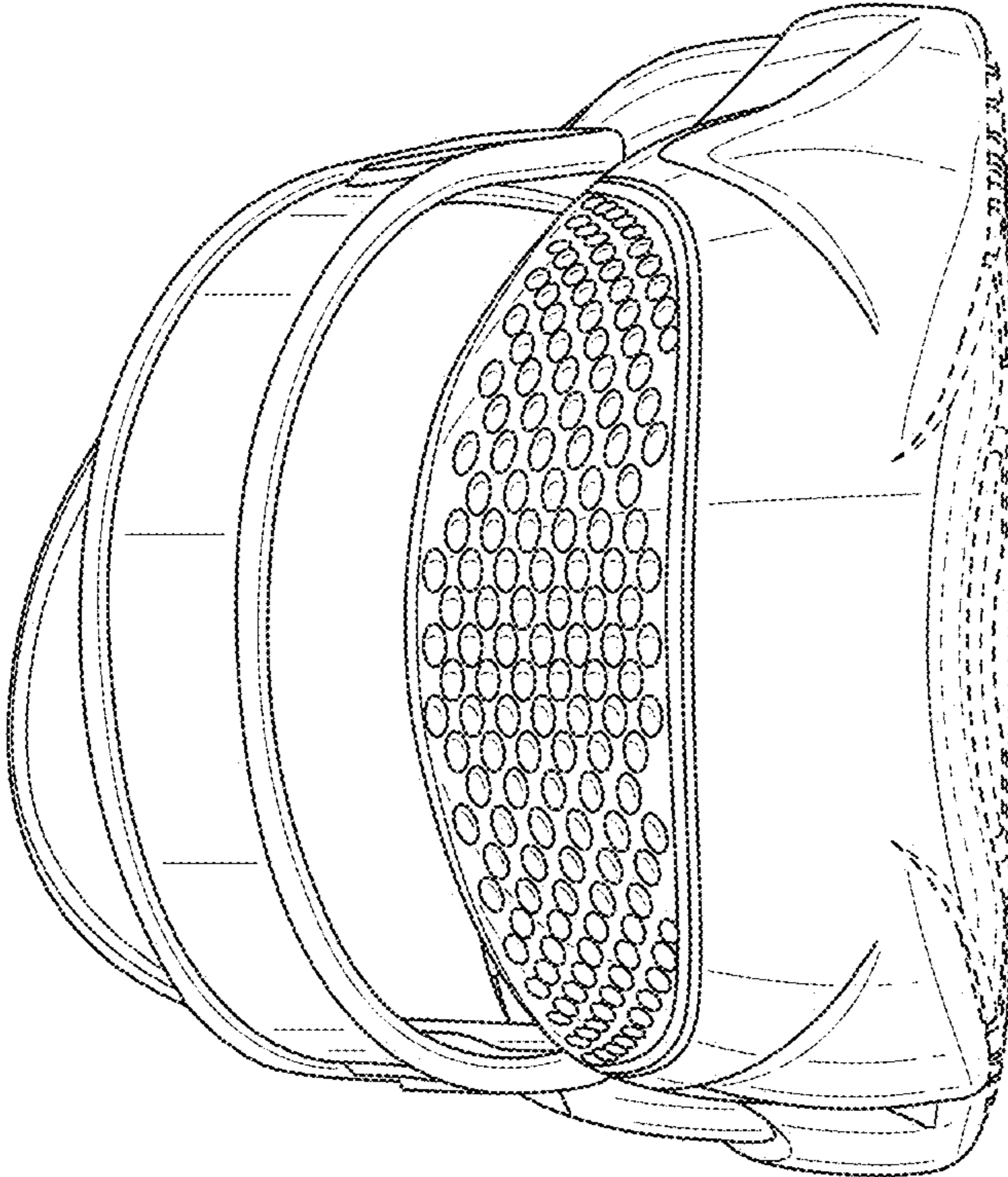


FIG. 3

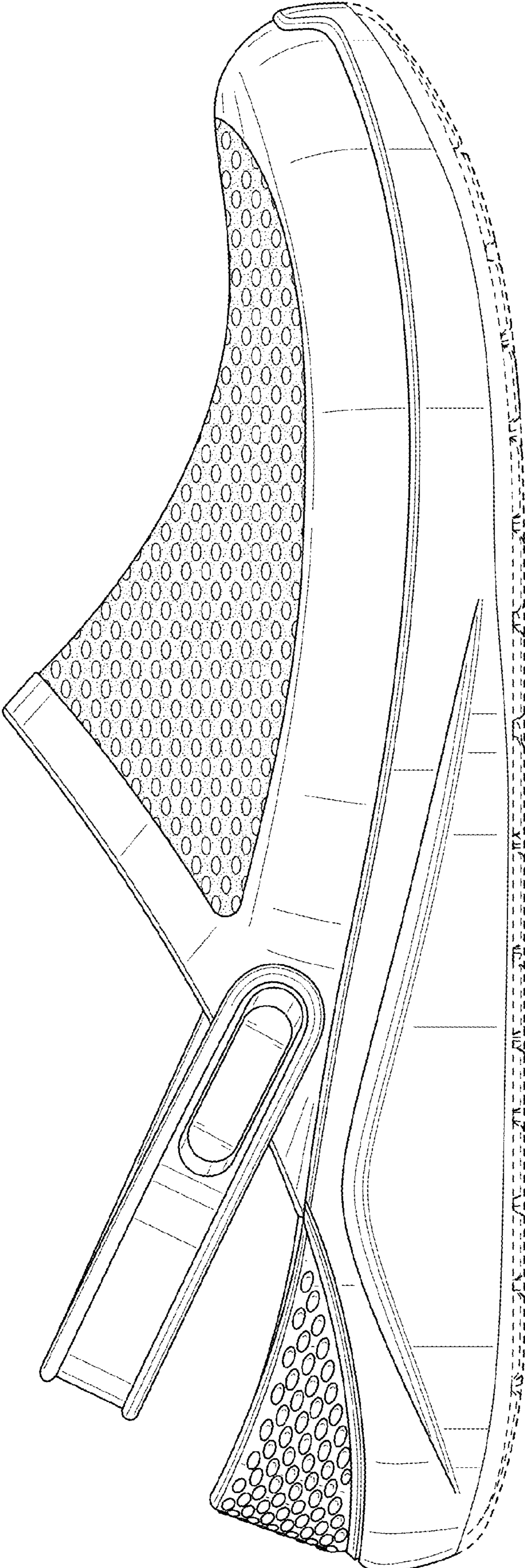


FIG. 4

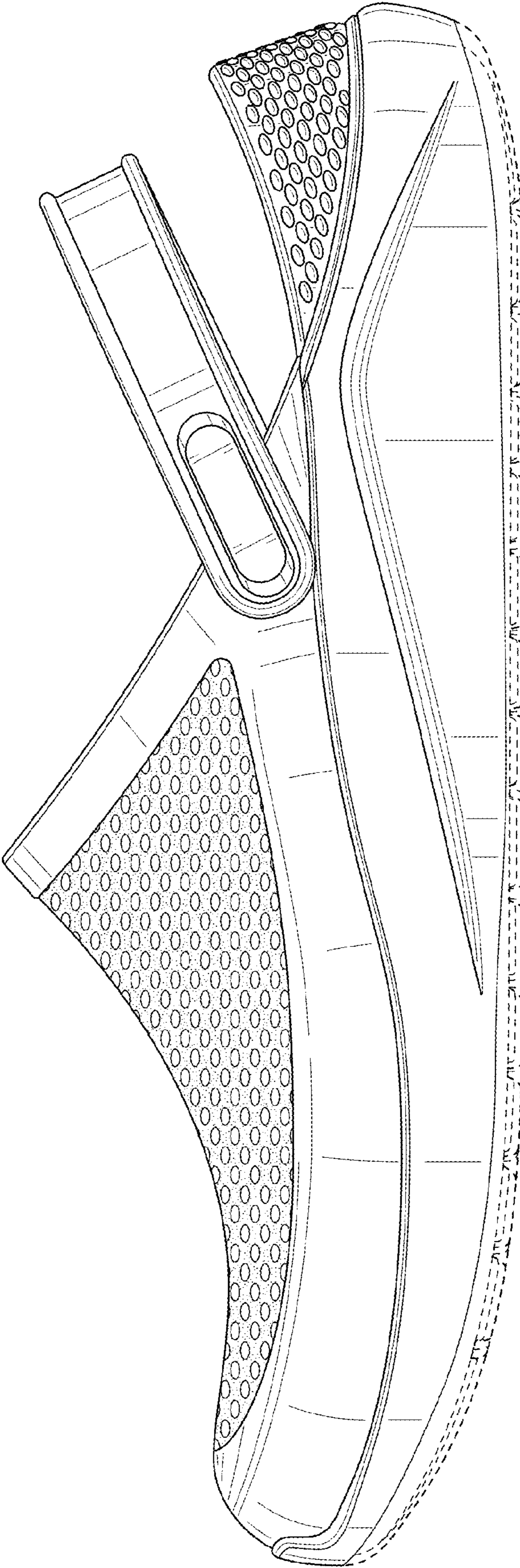


FIG. 5

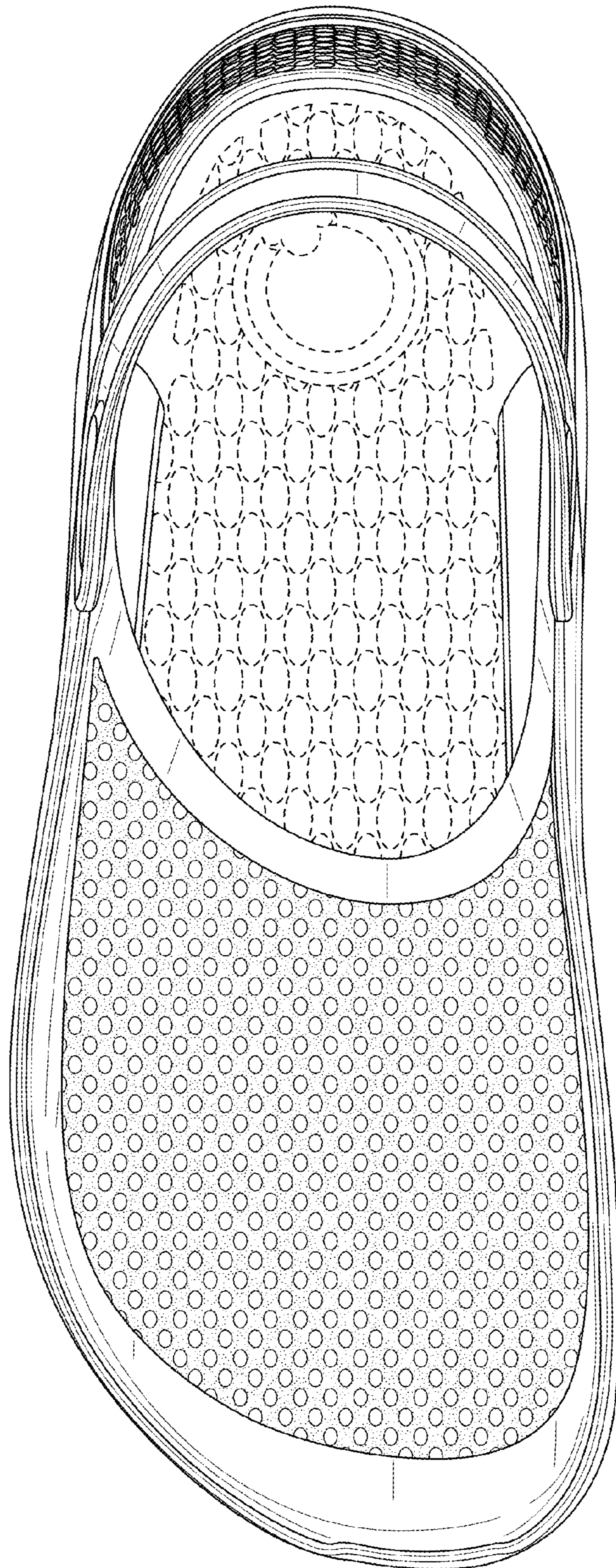


FIG. 6

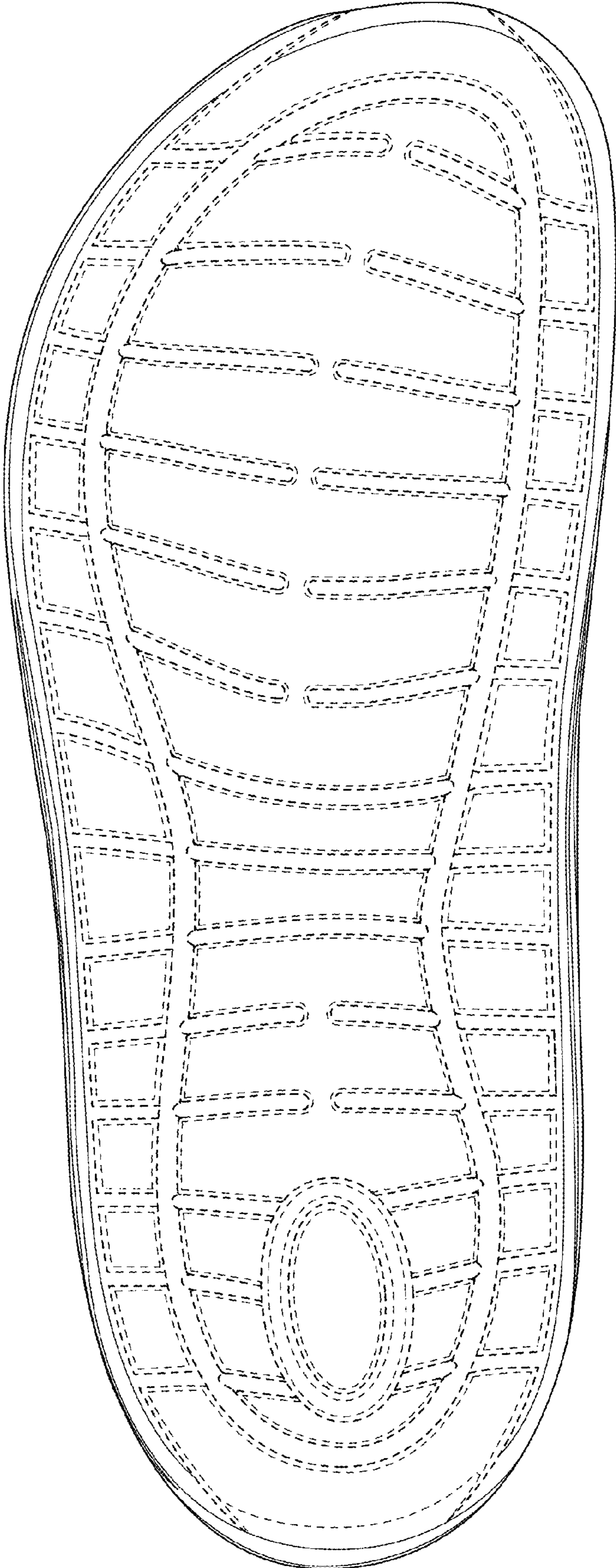


FIG. 7