



US00D909715S

(12) **United States Design Patent** (10) **Patent No.:** **US D909,715 S**  
**Bradley** (45) **Date of Patent:** **\*\* Feb. 9, 2021**

(54) **POCKET FOR JEANS AND THE LIKE**

**DESCRIPTION**

(71) Applicant: **Buckle Brands, Inc**, Kearney, NE (US)

(72) Inventor: **Josiah D. Bradley**, Lees Summit, MO (US)

(73) Assignee: **BUCKLE BRANDS, INC.**, Kearney, NE (US)

(\*\*) Term: **15 Years**

(21) Appl. No.: **29/629,594**

(22) Filed: **Dec. 14, 2017**

(51) **LOC (13) Cl.** ..... **02-02**

(52) **U.S. Cl.**  
USPC ..... **D2/857**

(58) **Field of Classification Search**  
USPC ..... **D2/857, 742**

(Continued)

(56) **References Cited**

**U.S. PATENT DOCUMENTS**

2,718,640 A \* 9/1955 Suckle ..... A41D 27/20  
2/243.1

D256,624 S \* 9/1980 Heinfling ..... D2/742  
(Continued)

**OTHER PUBLICATIONS**

Simple to Make Jeans Handmade Advent Calendar posted to pillarboxblue.com. Available date: Oct. 25, 2017 [site visited Jul. 2, 2020] Available: <<https://www.pillarboxblue.com/jeans-pocket-handmade-advent-calendar/>> (Year: 2017).\*

(Continued)

*Primary Examiner* — Kevin K Rudzinski

(74) *Attorney, Agent, or Firm* — Cowan, Liebowitz & Latman, P.C.; Anastasia Zhadina

(57) **CLAIM**

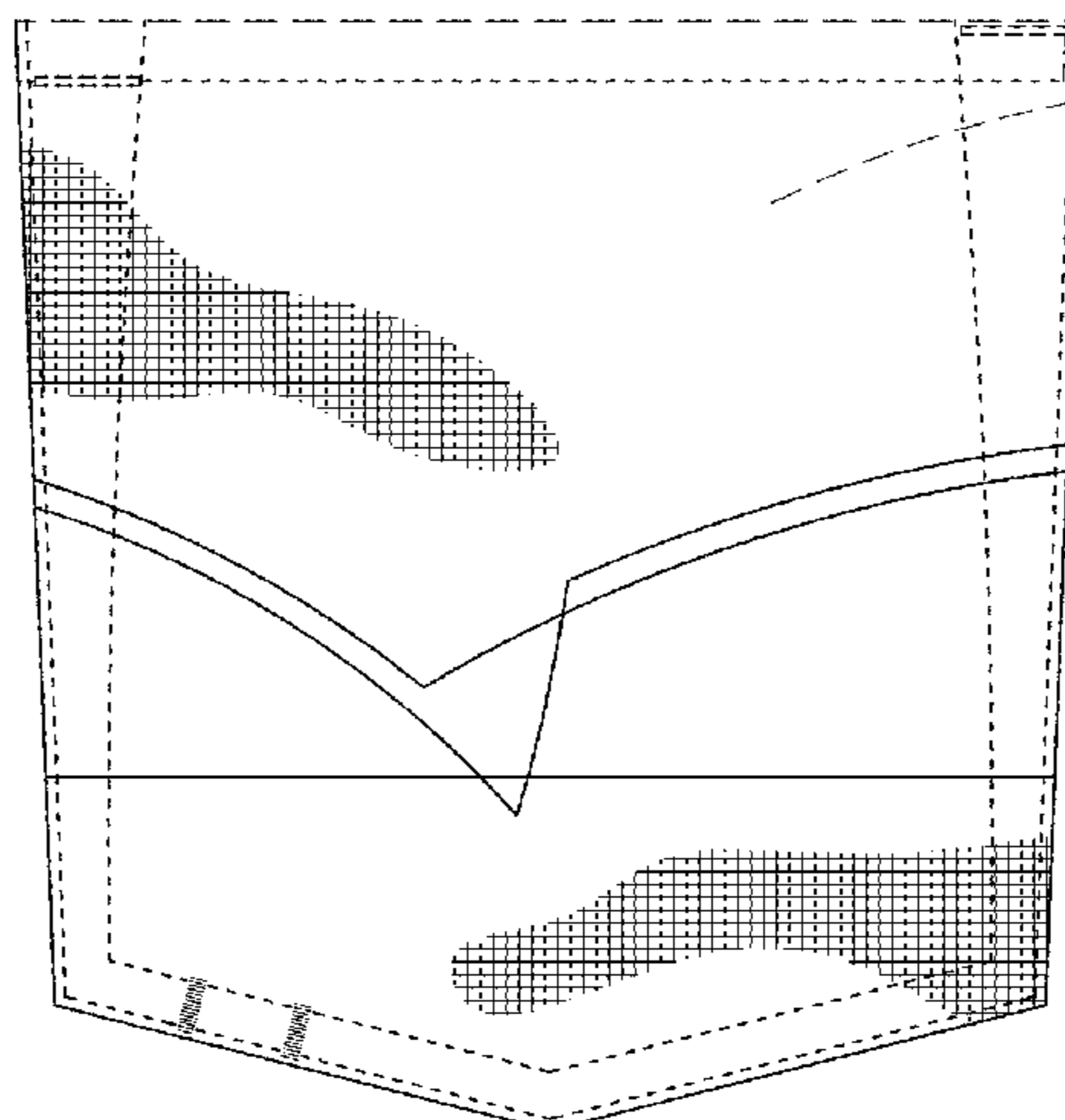
The ornamental design for pocket for jeans and the like, as shown and described.

FIG. 1 is front view of a first embodiment of the pocket for jeans and the like showing my design;  
FIG. 2 is a front view of a second embodiment of the pocket for jeans and the like showing my design;  
FIG. 3 is a front view of a third embodiment of the pocket for jeans and the like showing my design;  
FIG. 4 is a front view of a fourth embodiment of the pocket for jeans and the like showing my design;  
FIG. 5 is a front view of a fifth embodiment of the pocket for jeans and the like showing my design;  
FIG. 6 is a front view of a sixth embodiment of the pocket for jeans and the like showing my design;  
FIG. 7 is a front view of a seventh embodiment of the pocket for jeans and the like showing my design;  
FIG. 8 is a front view of an eighth embodiment of the pocket for jeans and the like showing my design;  
FIG. 9 is a front view of a ninth embodiment of the pocket for jeans and the like showing my design;  
FIG. 10 is a front view of a tenth embodiment of the pocket for jeans and the like showing my design;  
FIG. 11 is a front view of an eleventh embodiment of the pocket for jeans and the like showing my design; and,  
FIG. 12 is a front view of a twelfth embodiment of the pocket for jeans and the like showing my design.

The present design relates to a design of a pocket for jeans and the like, which is typically provided as a back pocket of a pair of jeans, pants or the like. The present design includes twelve embodiments of the Pocket, with some of the embodiments being mirror images of each other.

The features of the pockets, including certain edge portions of the pocket, bar tacks, darts and piercings, are shown in longer-dash broken lines and form no part of the claimed design. Stitching on the pocket is shown using shorter-dash broken lines.

**1 Claim, 6 Drawing Sheets**



(58) **Field of Classification Search**

CPC ..... A41D 1/06  
See application file for complete search history.

(56) **References Cited**

U.S. PATENT DOCUMENTS

D258,170 S \* 2/1981 Heinfling ..... D2/742  
D259,820 S \* 7/1981 Heinfling ..... D2/742  
D260,320 S \* 8/1981 Heinfling ..... D2/742  
D260,321 S \* 8/1981 Heinfling ..... D2/742  
D261,320 S \* 10/1981 Heinfling ..... D2/742  
D261,321 S \* 10/1981 Heinfling ..... D2/742  
D261,322 S \* 10/1981 Heinfling ..... D2/742  
D261,445 S \* 10/1981 Heinfling ..... D2/742  
D278,375 S \* 4/1985 Heinfling ..... D2/742  
D278,377 S \* 4/1985 Heinfling ..... D2/742  
D278,379 S \* 4/1985 Heinfling ..... D2/742  
D278,471 S \* 4/1985 Heinfling ..... D2/742  
D511,606 S \* 11/2005 Caucci ..... D2/742  
D527,170 S \* 8/2006 Chionna ..... D2/742  
D528,742 S \* 9/2006 Langmantel ..... D2/853  
D534,709 S \* 1/2007 Dipietro ..... A41D 1/06  
D537,238 S \* 2/2007 Lee ..... D2/857  
D541,507 S \* 5/2007 Lee ..... D2/857  
D558,954 S \* 1/2008 Lew ..... D2/857  
D582,633 S \* 12/2008 Zhang ..... D2/857  
D586,084 S \* 2/2009 Mendoza ..... D2/742  
D591,029 S \* 4/2009 Zhang ..... D2/857  
D608,984 S \* 2/2010 Waldman ..... D2/857  
D609,433 S \* 2/2010 Yu ..... D2/857  
D666,789 S \* 9/2012 Hines ..... D2/742  
D669,250 S \* 10/2012 Girbaud ..... D2/857  
D703,924 S \* 5/2014 Chionna ..... D2/857  
D731,154 S \* 6/2015 Shaw ..... D2/853  
D758,695 S \* 6/2016 Lago ..... D2/742  
D758,696 S \* 6/2016 Castellan ..... D2/742  
D762,072 S \* 7/2016 Greenstein ..... D5/63

D764,148 S \* 8/2016 Shaw ..... D2/857  
D783,948 S \* 4/2017 Boyle ..... D2/857  
D803,523 S \* 11/2017 Wang ..... D2/742  
D835,887 S \* 12/2018 Yaw ..... D2/857  
D848,117 S \* 5/2019 Lago ..... D2/742  
D871,025 S \* 12/2019 Brodasca ..... D2/857  
2011/0185470 A1 \* 8/2011 Jones ..... A41D 1/06  
2/69  
2014/0165265 A1 \* 6/2014 Tulin ..... A41D 1/06  
2/234

OTHER PUBLICATIONS

Ginger Jeans: Back Pocket Design Inspirations posted to unlikelynest.blogspot.com. Available date: Apr. 13, 2016 [site visited Jul. 2, 2020] Available: <<http://unlikelynest.blogspot.com/2016/04/ginger-jeans-back-pocket-design.html>> (Year: 2016).\*

Denim Pocket Embroidery Designs posted to behance.net. Available date: Jun. 17, 2015 [site visited Jul. 2, 2020] Available: <<https://www.behance.net/gallery/27191865/DENIM-PANT-POCKET-DESIGNING>> (Year: 2015).\*

Jeans Pocket by Leila, posted to growyourownclothes.com. Available date: Feb. 6, 2015 [site visited Oct. 15, 2020] Available: <<https://growyourownclothes.com/2015/02/06/jeans-pockets/>> (Year: 2015).\*

Ginger Jeans: Back Pocket Design Inspiration posted to unlikelynest.blogspot.com. Available date: Apr. 13, 2016 [site visited Oct. 15, 2020] Available: <<http://unlikelynest.blogspot.com/2016/04/ginger-jeans-back-pocket-design.html>> (Year: 2016).\*

Denim 101: Anatomy of Jeans posted to neighbourlist.com. Available date: Nov. 18, 2017 [site visited Oct. 15, 2020] Available: <<https://www.neighbourlist.com/2017/11/denim-101-anatomy-jeans/>> (Year: 2017).\*

Jean Bag Back Pocket posted to pixabay.com. Available date: Mar. 30, 2016 [site visited Oct. 15, 2020] Available: <<https://pixabay.com/photos/jeans-bag-back-pocket-pants-1286886/>> (Year: 2016).\*

\* cited by examiner

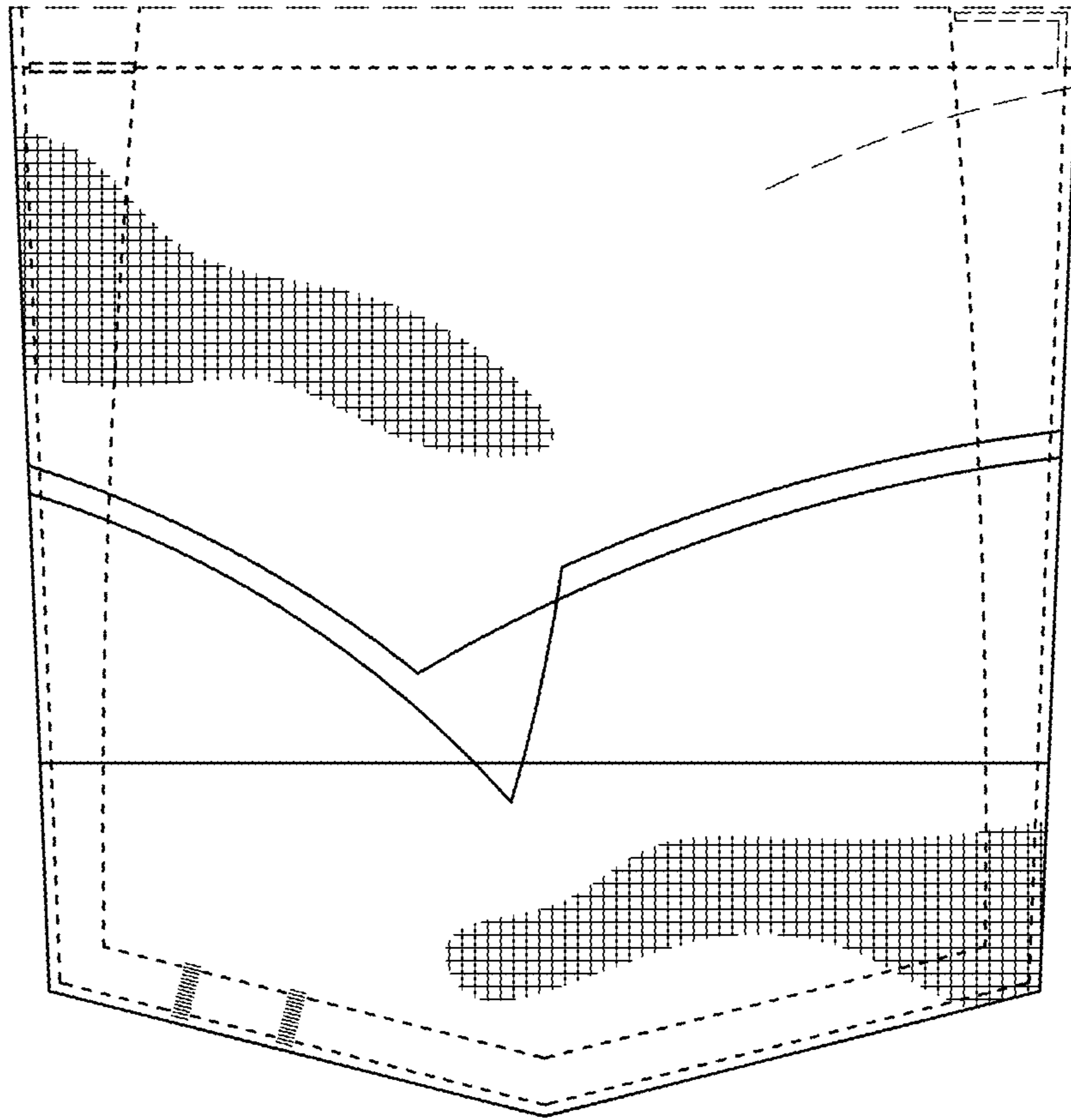


FIG. 1

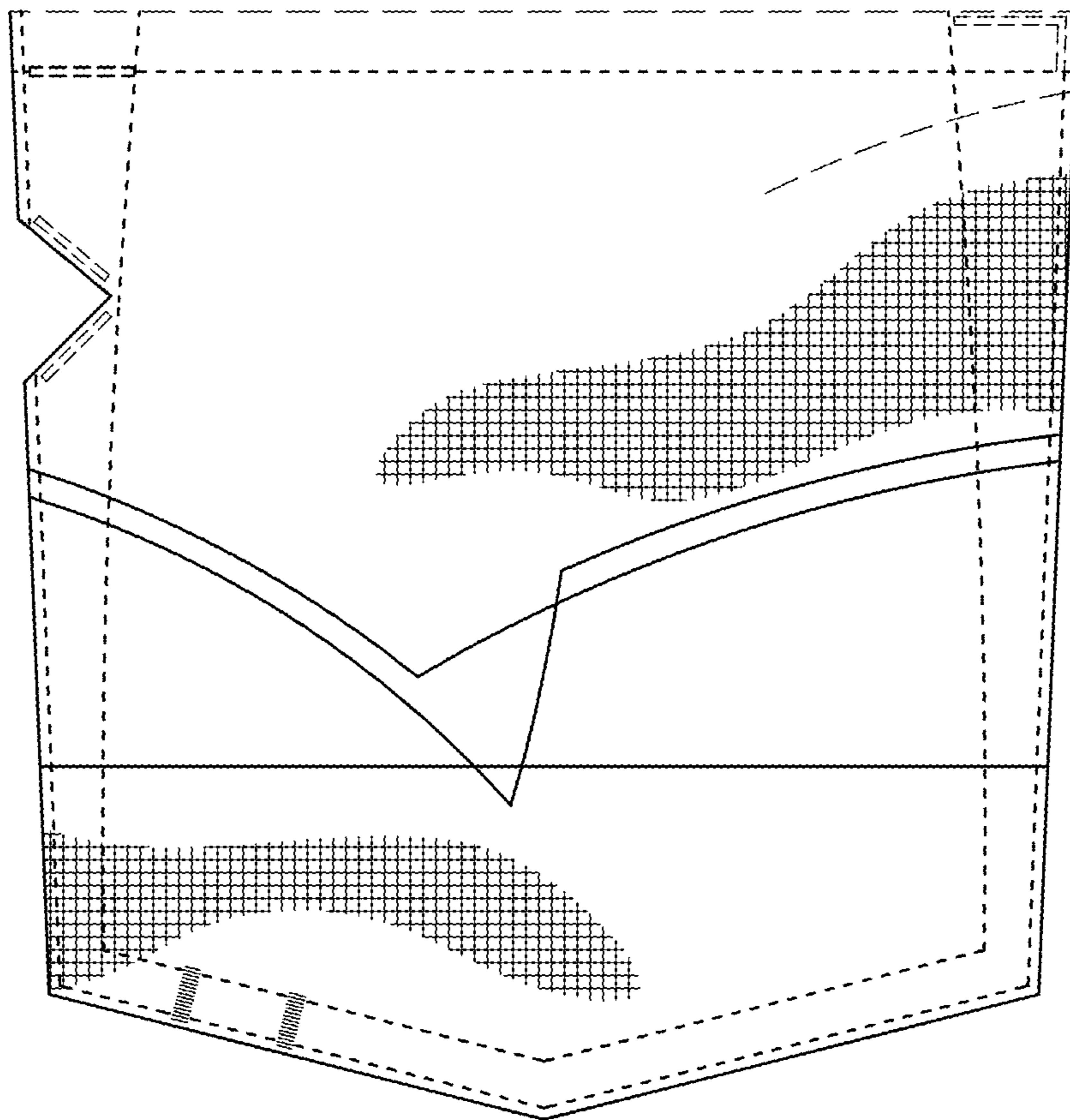


FIG. 2

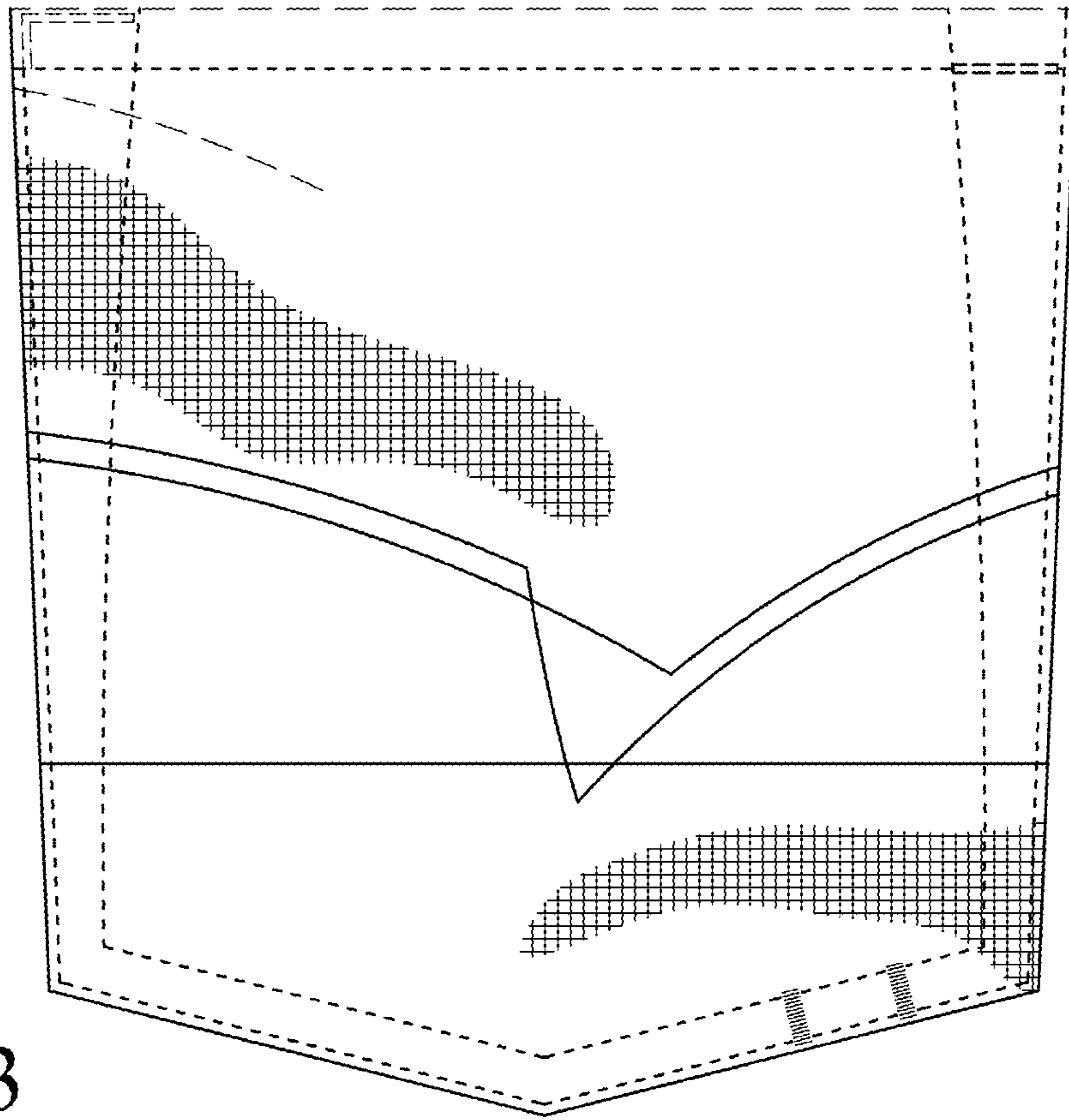


FIG. 3

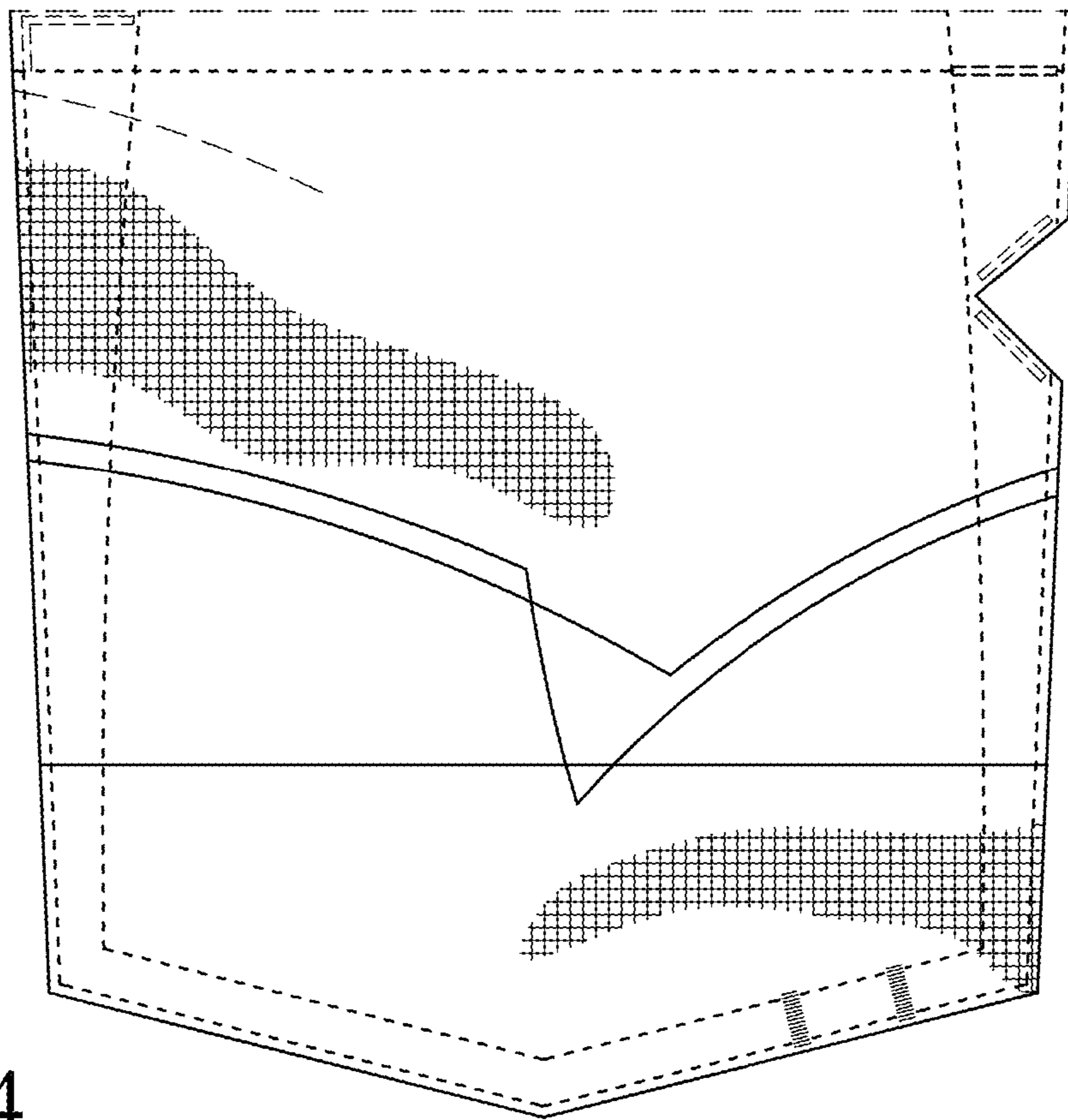


FIG. 4

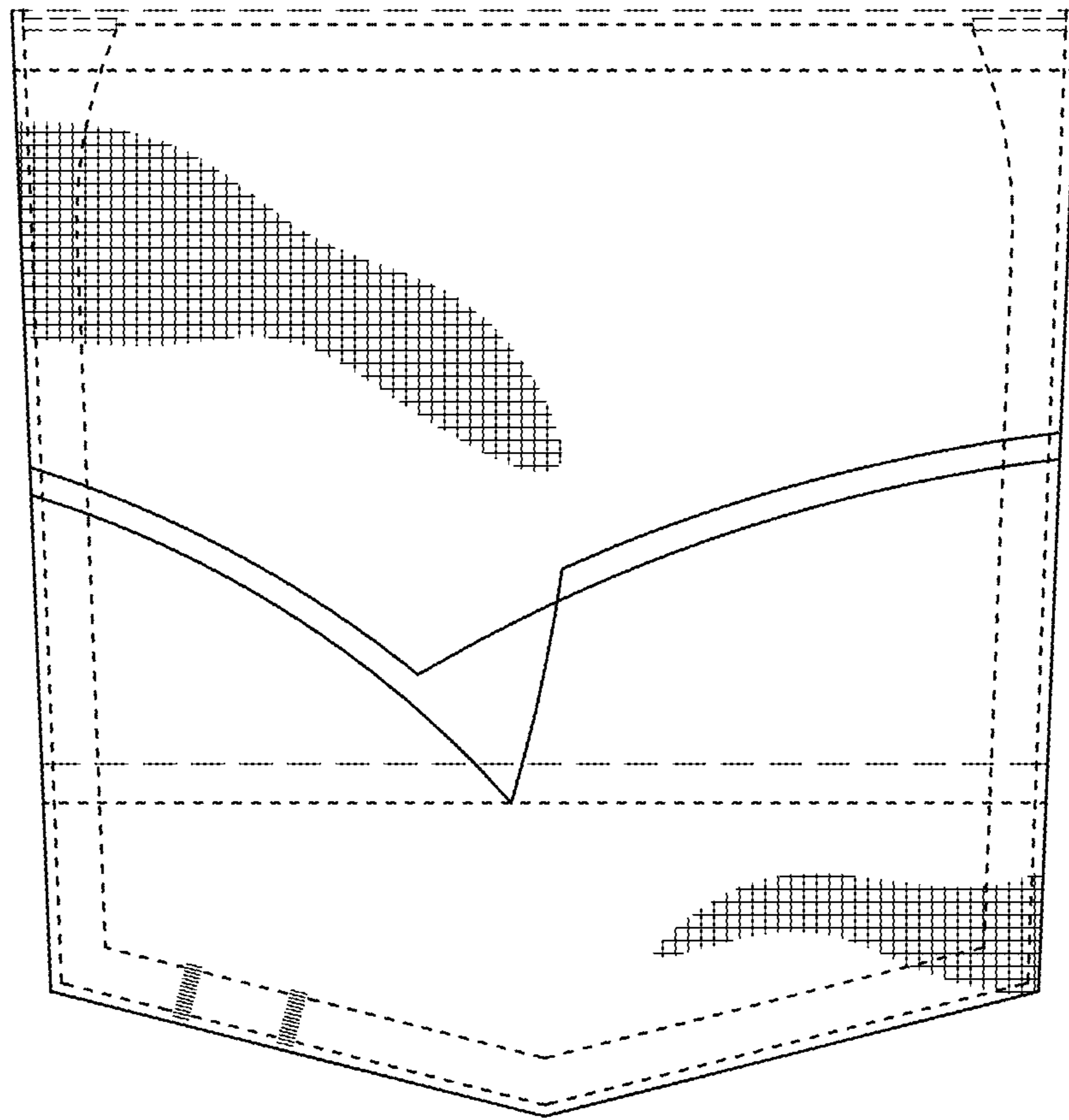


FIG. 5

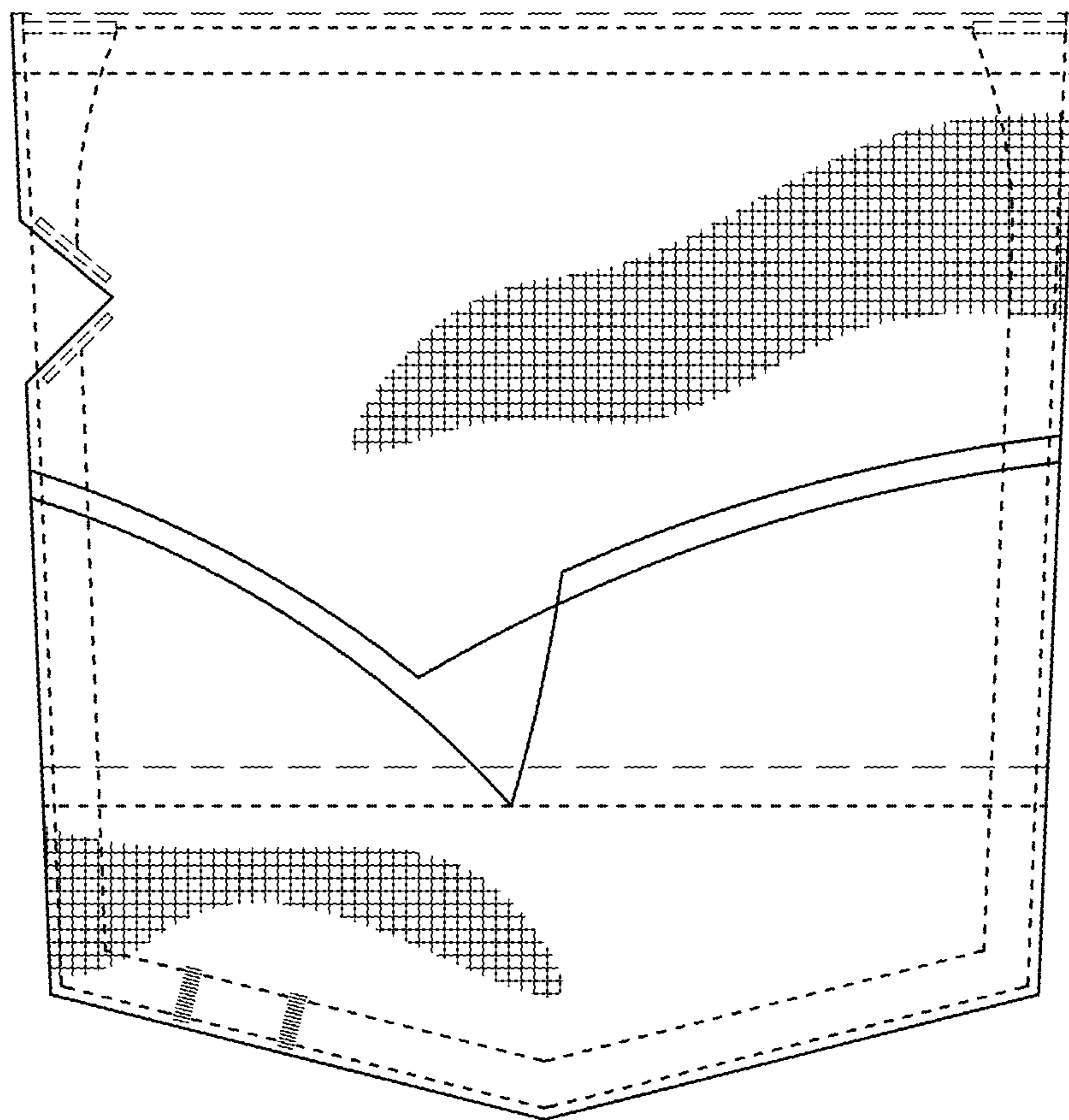


FIG. 6

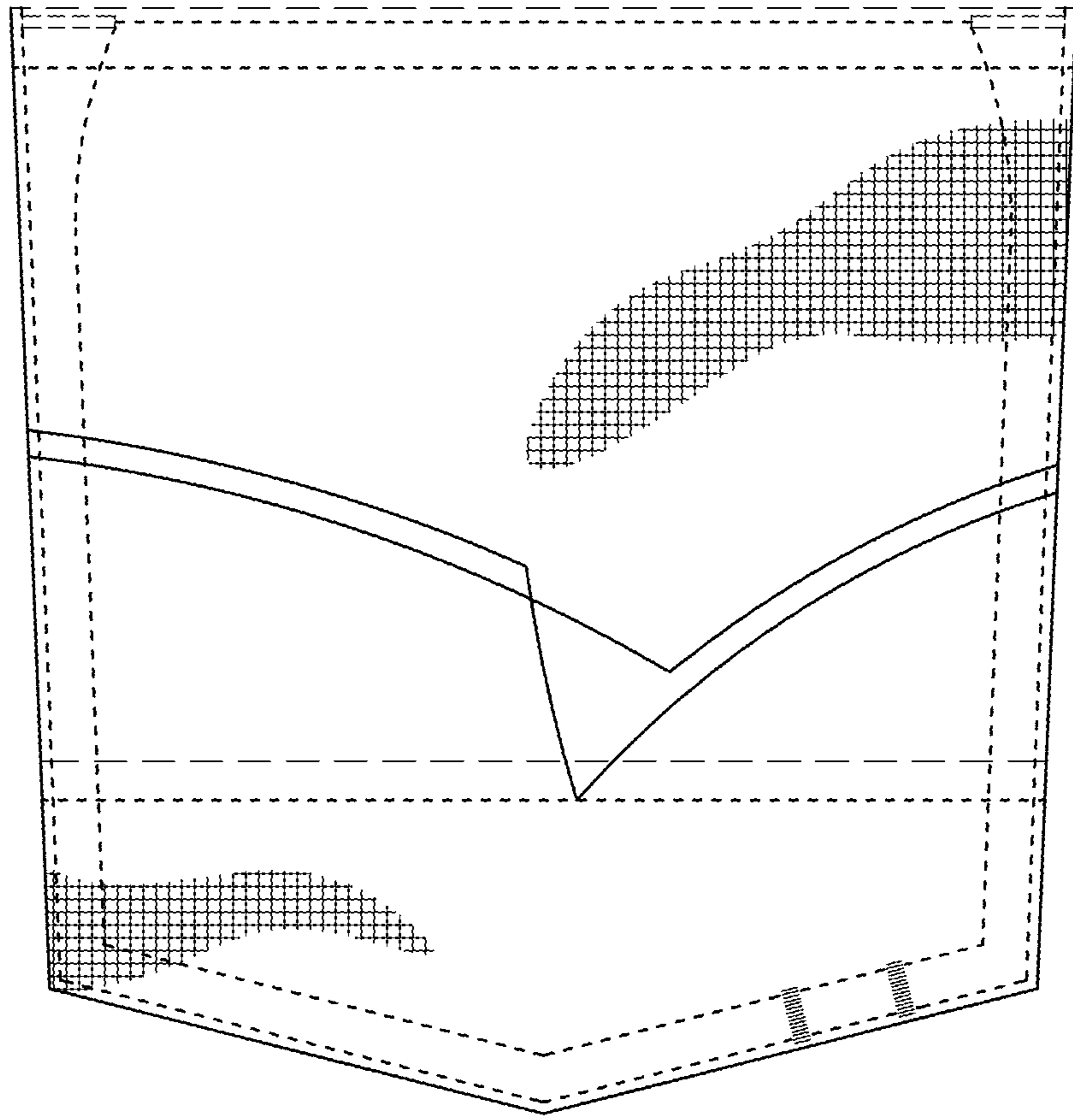


FIG. 7

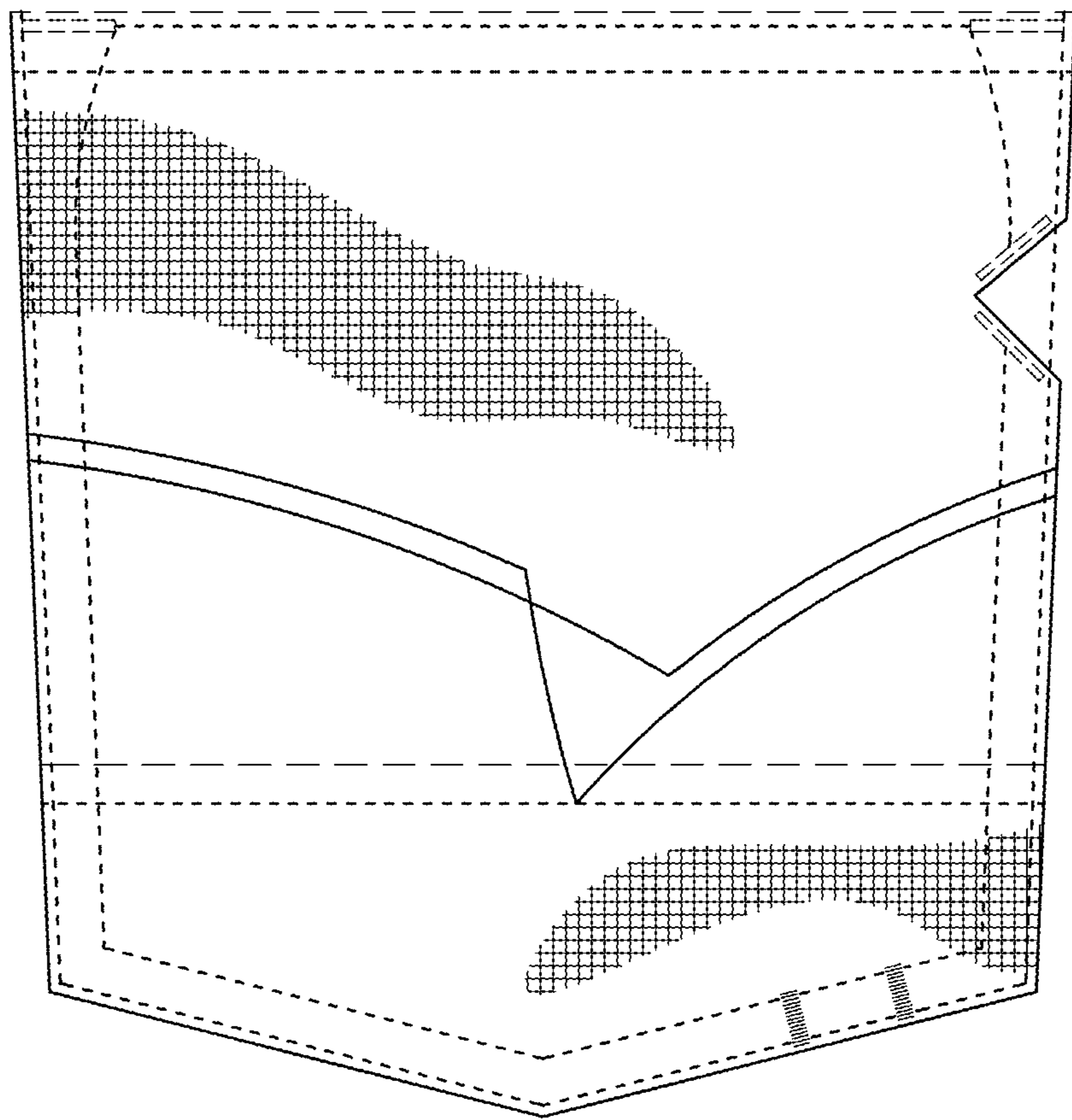


FIG. 8

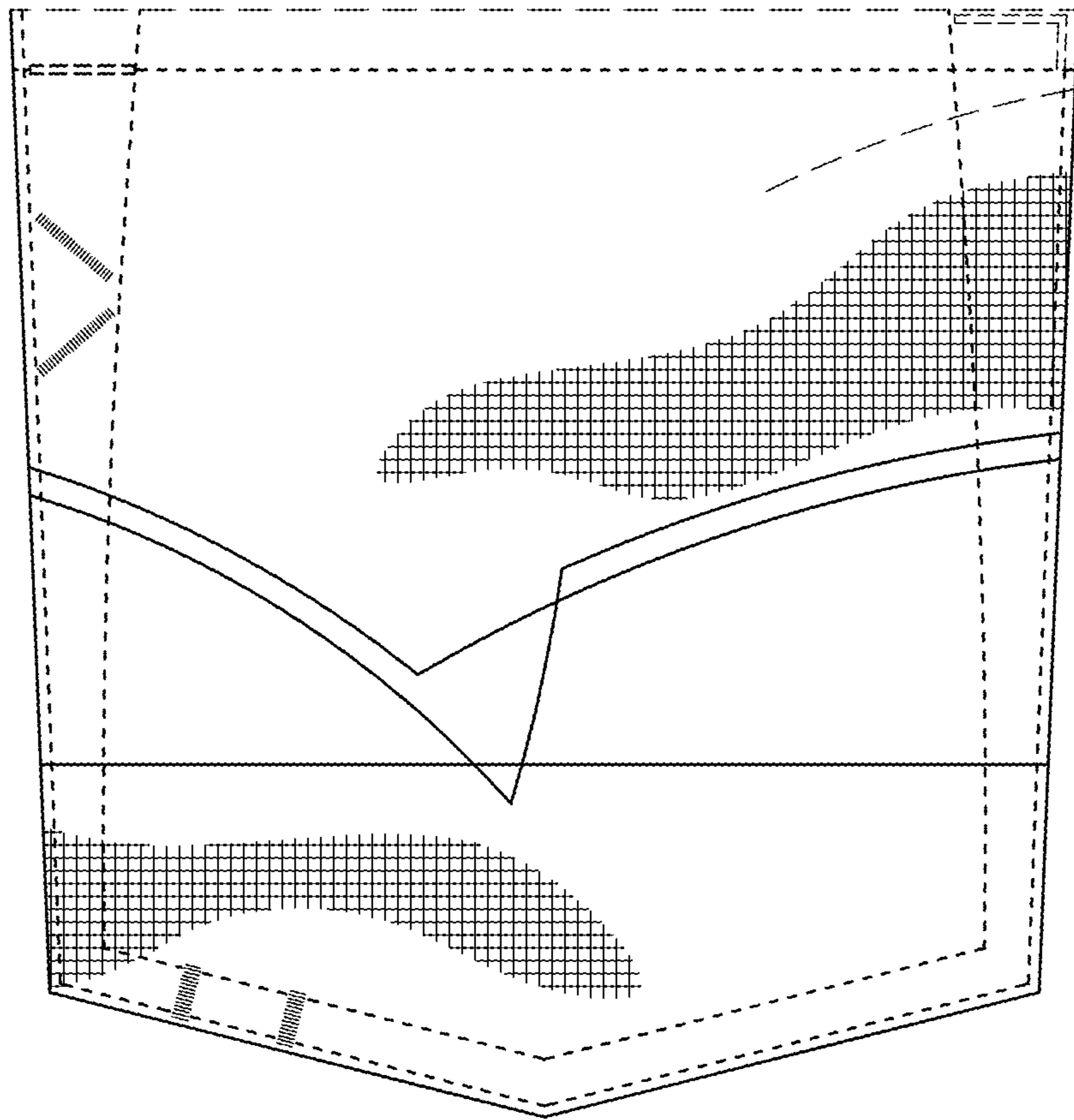


FIG. 9

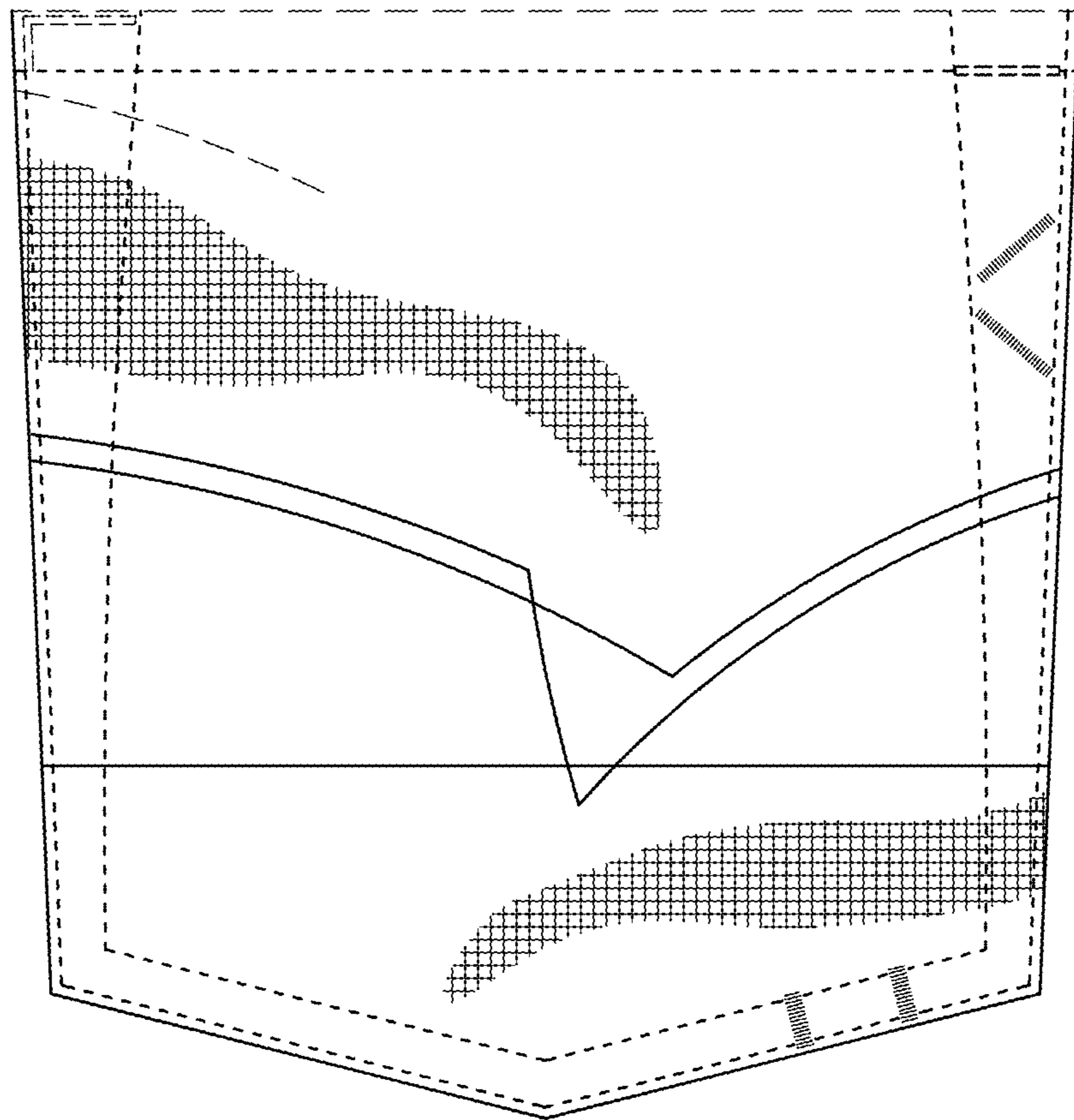


FIG. 10

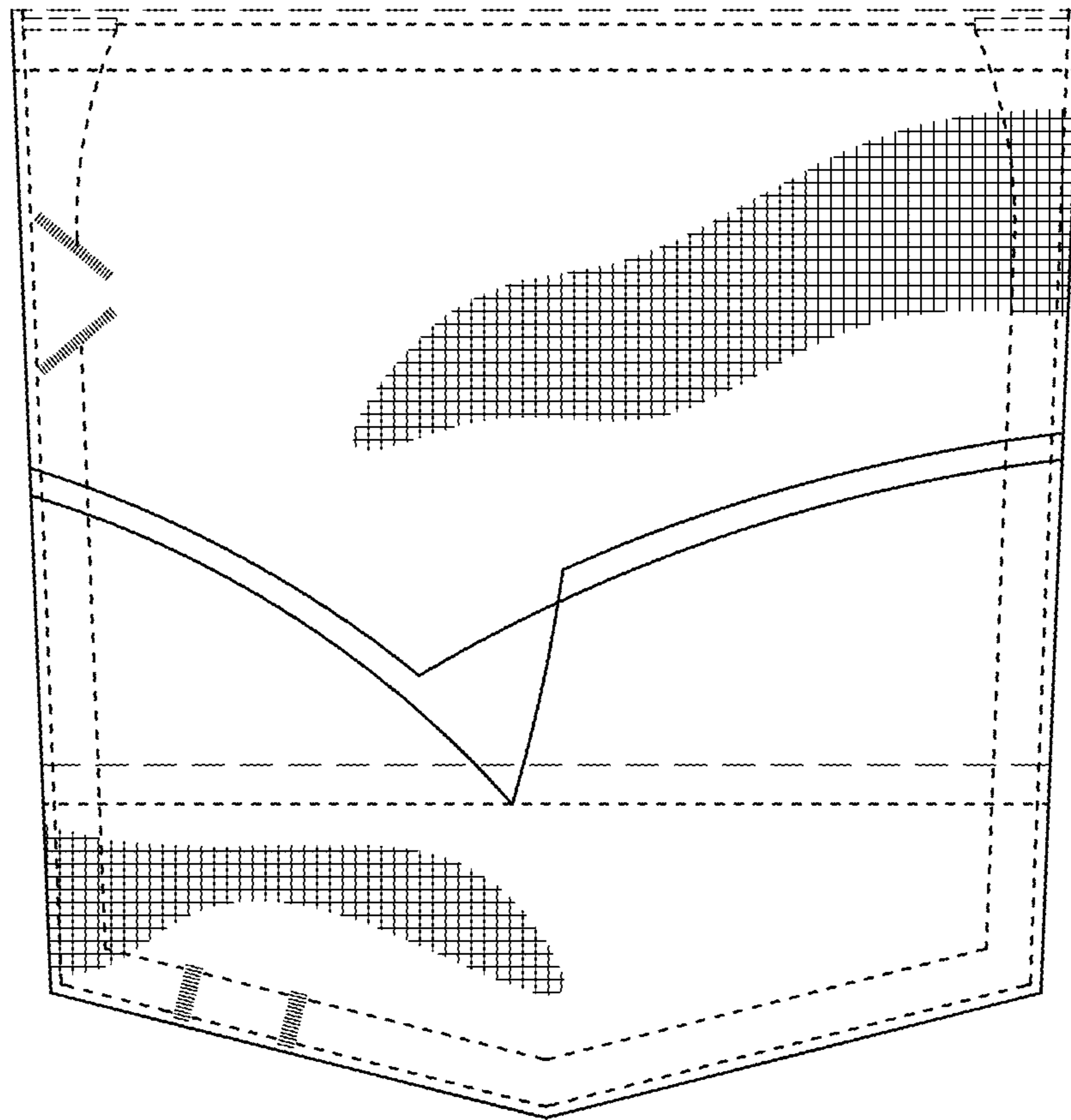


FIG. 11

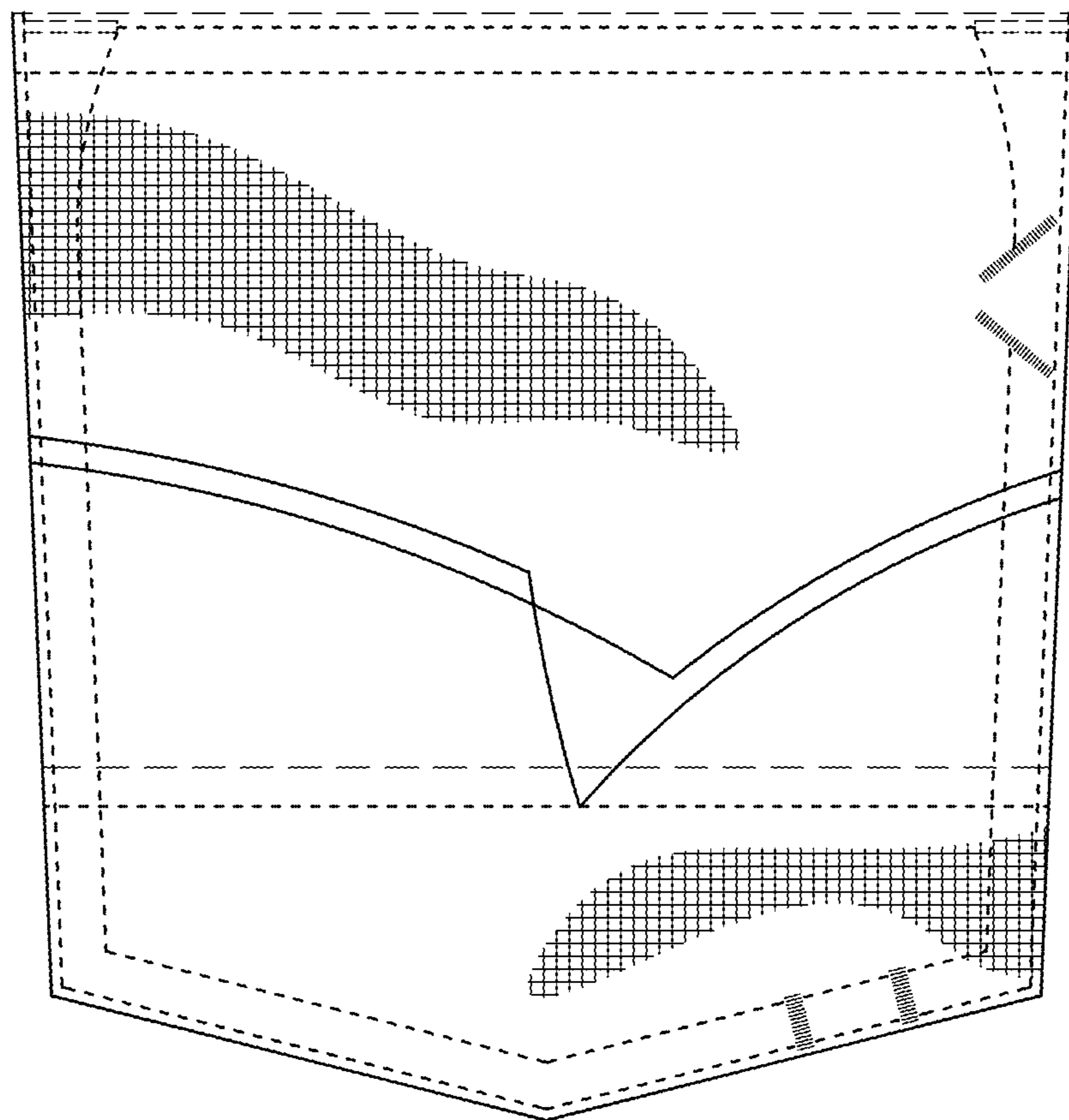


FIG. 12