

US00D909709S

(12) **United States Design Patent** (10) **Patent No.:** **US D909,709 S**
Surabian et al. (45) **Date of Patent:** **** Feb. 9, 2021**

- (54) **ANTI-FLOP HOLSTER BELT**
- (71) Applicant: **The Richard Surabian Irrevocable Trust**, South Yarmouth, MA (US)
- (72) Inventors: **Richard Surabian**, South Yarmouth, MA (US); **Steven Surabian**, South Yarmouth, MA (US)
- (73) Assignee: **The Richard Surabian Irrevocable Trust**, South Yarmouth, MA (US)
- (**) Term: **15 Years**
- (21) Appl. No.: **29/677,259**
- (22) Filed: **Jan. 18, 2019**
- (51) **LOC (13) Cl.** **02-04**
- (52) **U.S. Cl.**
USPC **D2/627; D3/228**
- (58) **Field of Classification Search**
USPC D2/624–629, 631, 635–640, 720, 815, D2/838, 859, 894; D3/221, 222, 224, D3/226, 228; D11/5, 13; D24/190; D29/101.1, 101.3
CPC A41D 13/1236; A41F 11/02; A41F 11/16; A41F 3/02; A41F 5/00; A41F 9/02; A41F 9/002; A41F 9/025; A45F 2003/006; F16G 13/00; F41C 33/001; F41C 33/002; B60R 22/00; B60R 22/006
See application file for complete search history.

- (56) **References Cited**
U.S. PATENT DOCUMENTS
D361,651 S * 8/1995 Jacob D2/627
5,619,751 A * 4/1997 Ray A41D 13/00
2/102
D481,851 S * 11/2003 Greaige D2/624
D488,286 S * 4/2004 Phillips, Jr. D2/624

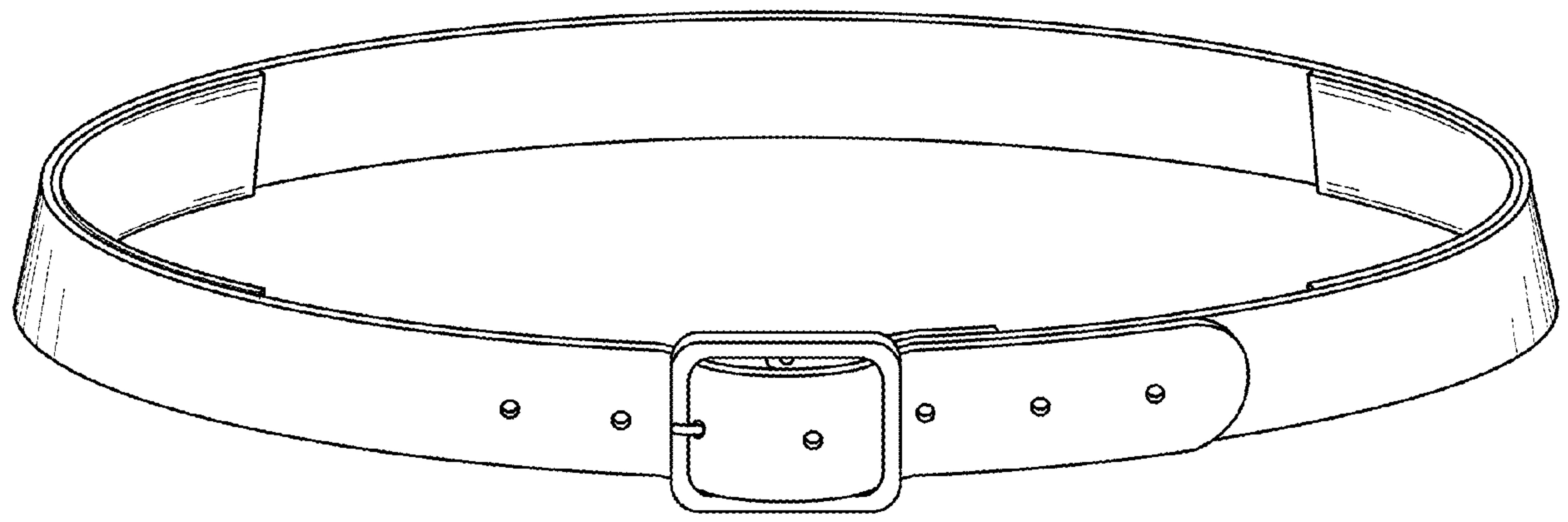
- D622,934 S * 9/2010 Graneto, III D2/720
- D658,850 S * 5/2012 Valentine D2/624
- D716,941 S * 11/2014 Sterling D24/128
- D723,246 S * 3/2015 Schultz A41D 13/00
D2/627
- D766,712 S * 9/2016 Bertram A61F 5/3776
D8/394
- 2011/0138671 A1* 6/2011 Rogers F41C 23/02
42/85
- 2012/0175392 A1* 7/2012 Ely F41C 33/002
224/259
- 2014/0189931 A1* 7/2014 Fredrickson A41D 27/205
2/114
- 2019/0059815 A1* 2/2019 Smith A41D 1/005
- 2019/0304283 A1* 10/2019 Carr A61F 5/3776

* cited by examiner
Primary Examiner — Kevin K Rudzinski
Assistant Examiner — Clare Ann Gannon
(74) *Attorney, Agent, or Firm* — Bay State IP, LLC

(57) **CLAIM**
The ornamental design for an anti-flop holster belt, as shown and described.

DESCRIPTION
FIG. 1 is a top front perspective view of an anti-flop holster belt showing our new design;
FIG. 2 is a front view thereof;
FIG. 3 is a back view thereof;
FIG. 4 is a top view thereof;
FIG. 5 is a bottom view thereof;
FIG. 6 is a left-side view thereof;
FIG. 7 is a right-side view thereof; and,
FIG. 8 is a front perspective view showing the design in an environment.
The broken lines are included for the purpose of illustrating the design in an environment and forms no part of the claimed design.

1 Claim, 4 Drawing Sheets



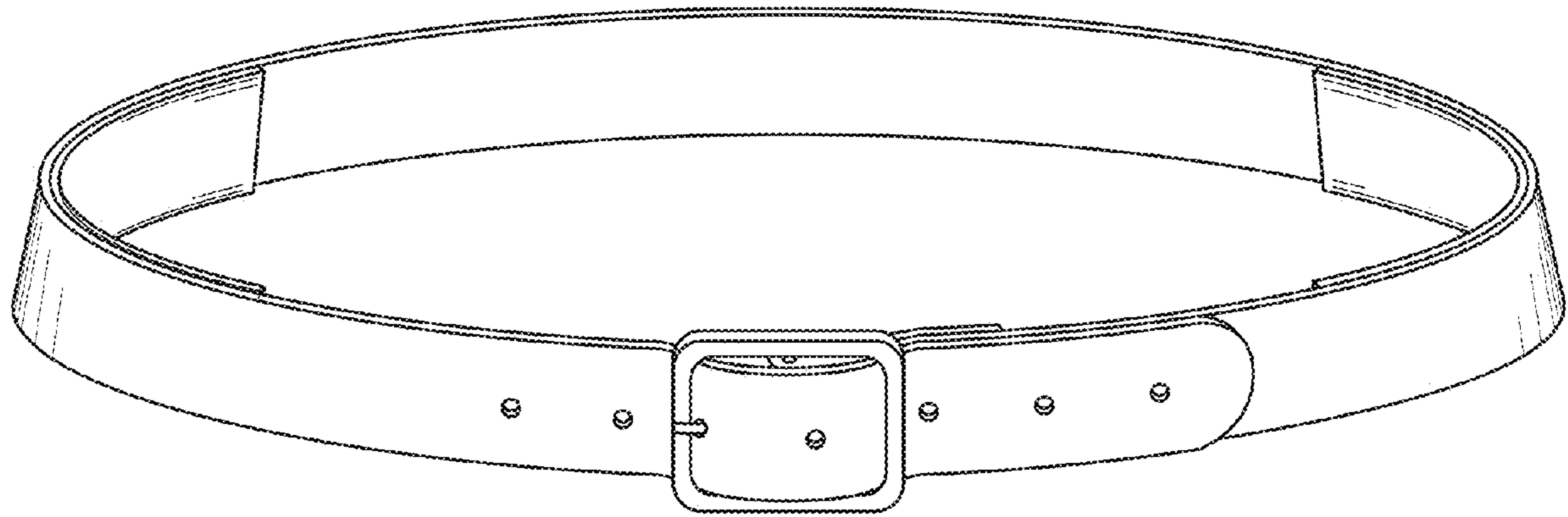


Fig. 1

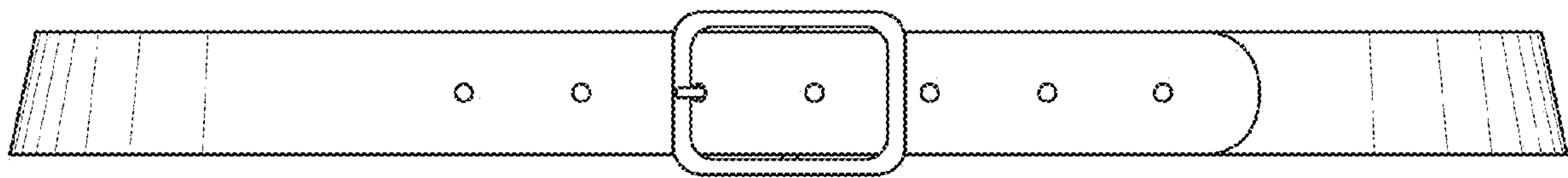


Fig. 2



Fig. 3

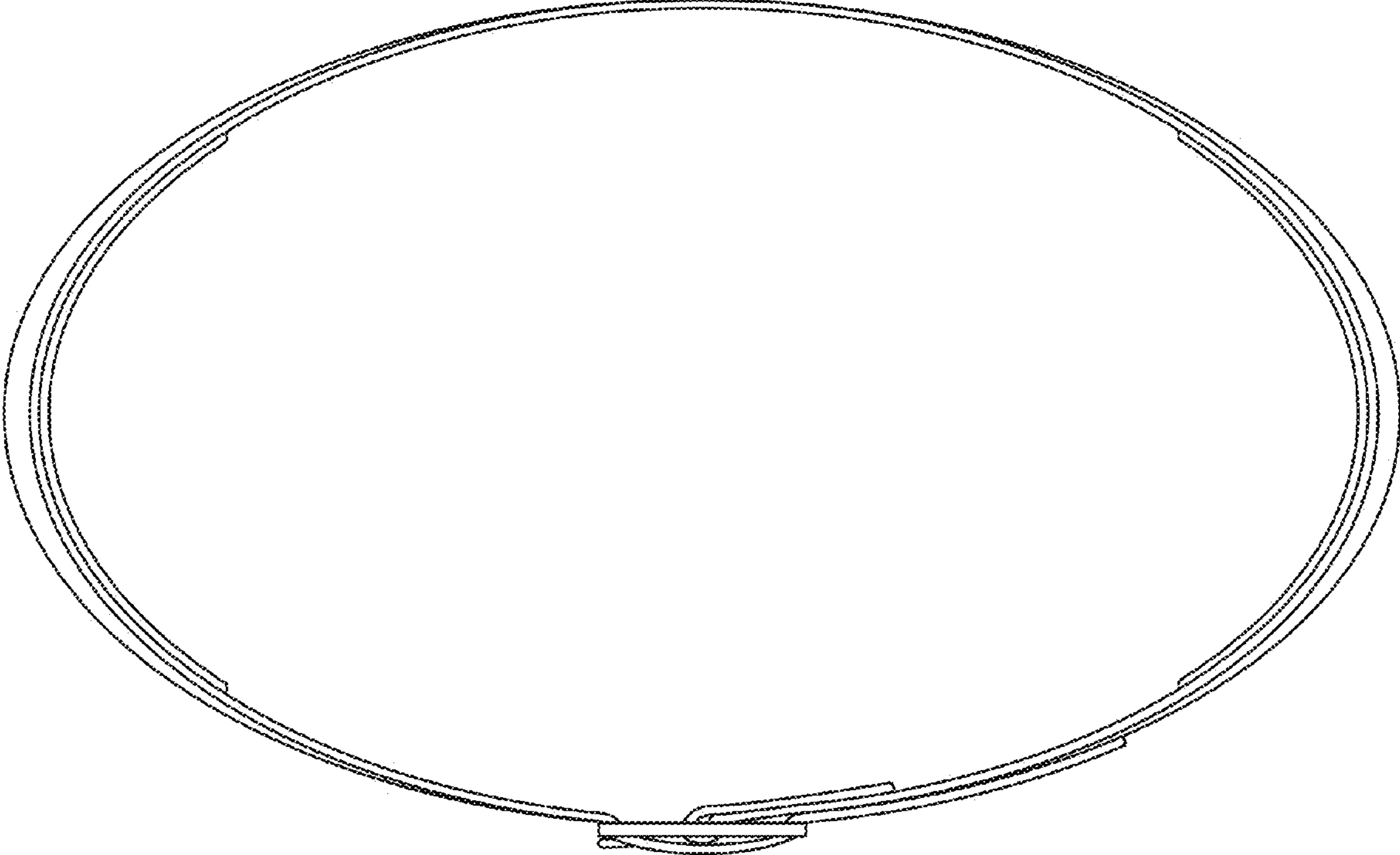


Fig. 4

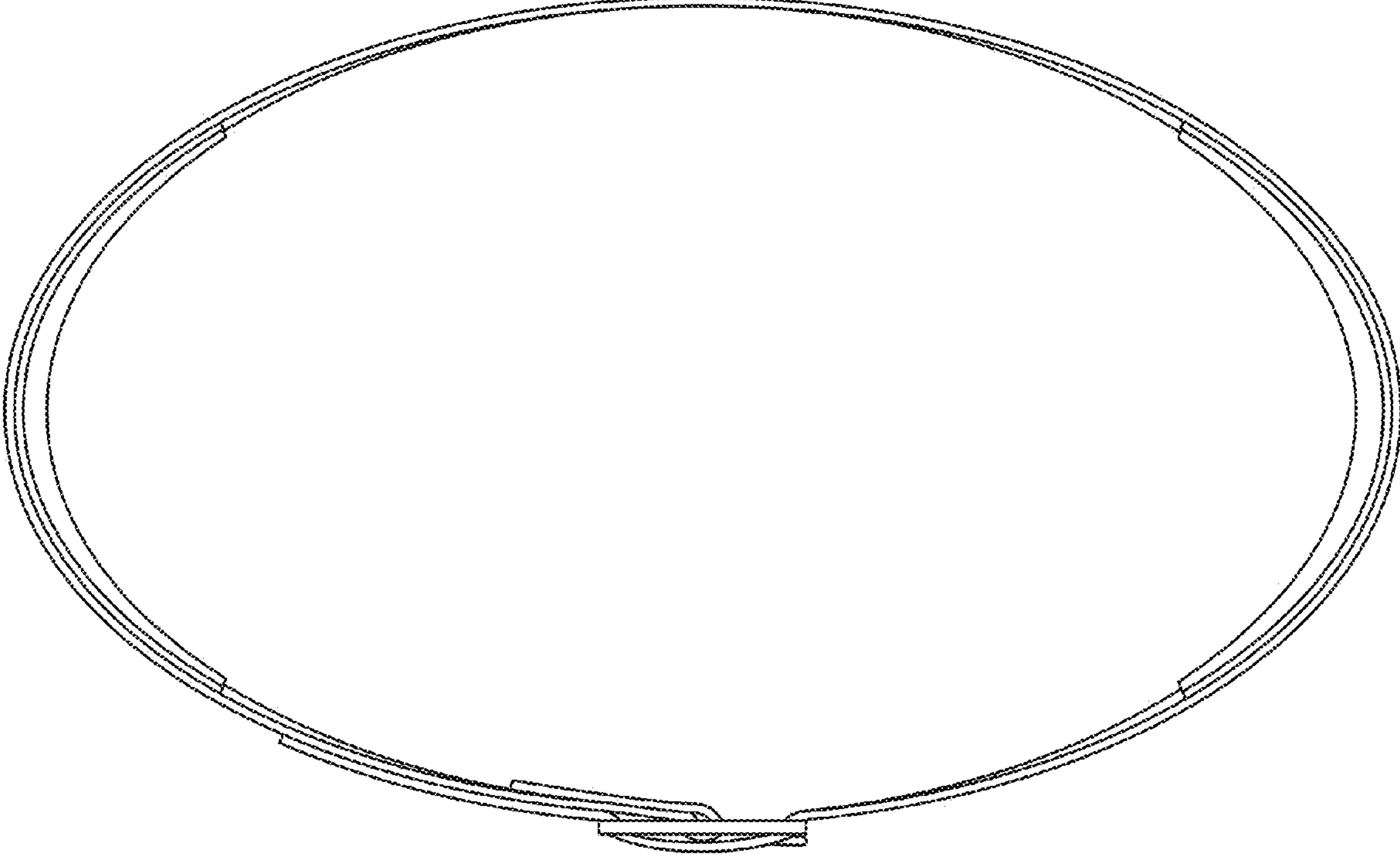


Fig. 5

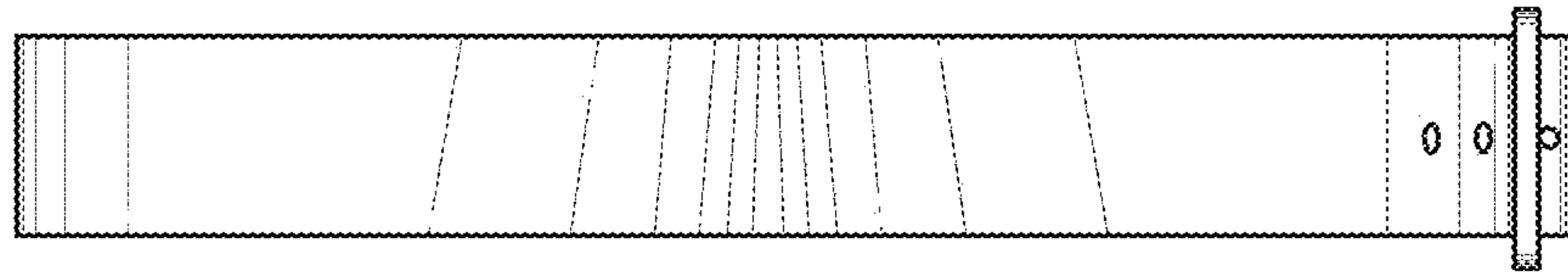


Fig. 6

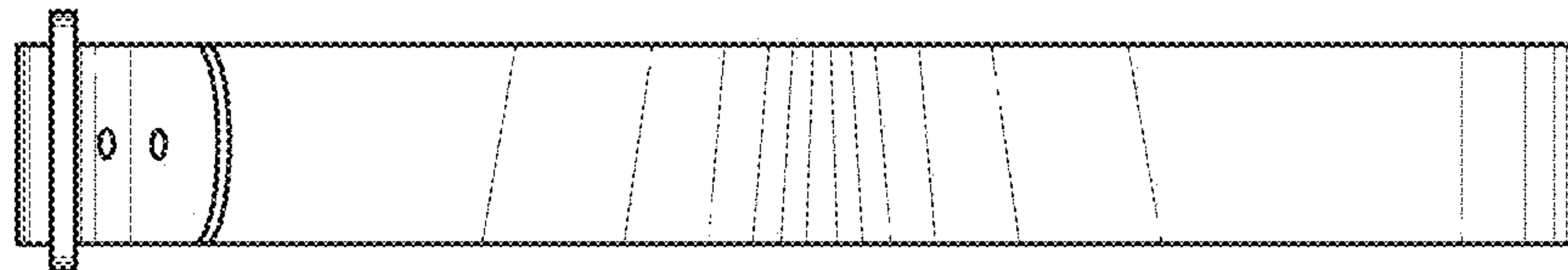


Fig. 7

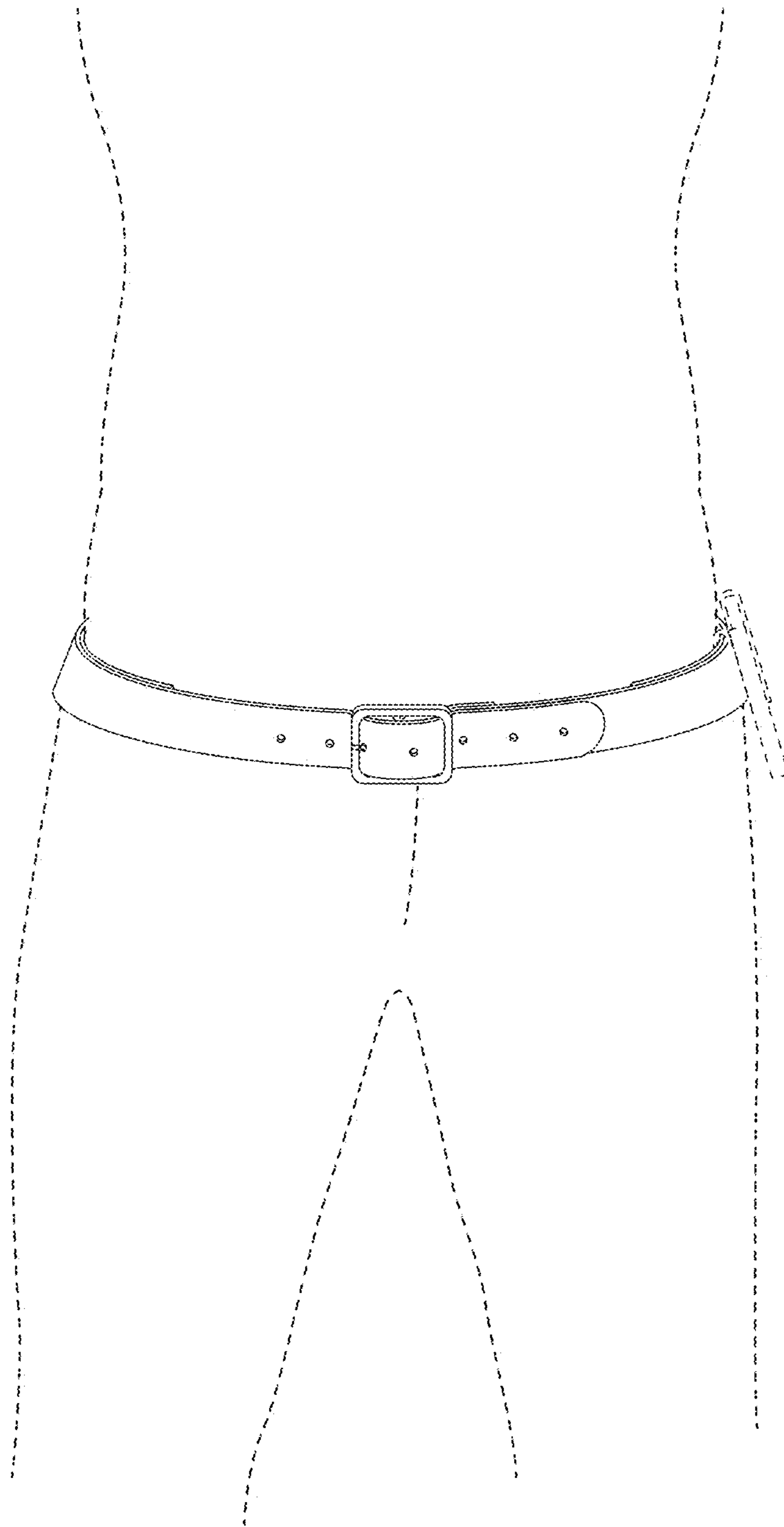


Fig. 8