



US00D909708S

(12) **United States Design Patent**  
**Hao et al.**

(10) **Patent No.:** **US D909,708 S**

(45) **Date of Patent:** **\*\* Feb. 9, 2021**

(54) **PET TREAT**

(71) Applicant: **Natural Polymer International Corporation**, Plano, TX (US)

(72) Inventors: **Jun Hao**, Frisco, TX (US); **Lei Wang**, Plano, TX (US); **Zhiwen Wan**, Plano, TX (US)

(73) Assignee: **Natural Polymer International Corporation**, Plano, TX (US)

(\*\*) Term: **15 Years**

(21) Appl. No.: **29/709,146**

(22) Filed: **Oct. 11, 2019**

(51) **LOC (13) Cl.** ..... **01-01**

(52) **U.S. Cl.**  
USPC ..... **D1/199**

(58) **Field of Classification Search**  
USPC ..... D1/100–130, 199; 426/5, 76, 87, 92, 94, 426/95, 99, 101, 103, 108, 138–139, 143, 426/144, 279, 282, 283, 391, 514, 549, 426/660; D13/100; D24/101–104; D28/8.1; 424/467; 425/195; 34/296; D6/601; D9/453  
CPC .. A61K 9/2072; A61K 9/0004; A61K 9/2095; A61K 9/209  
See application file for complete search history.

(56) **References Cited**

U.S. PATENT DOCUMENTS

D492,717 S \* 7/2004 Cohen ..... D17/22  
D501,286 S \* 2/2005 Wang ..... D1/199

D528,736 S \* 9/2006 Koenig ..... D1/125  
D530,481 S \* 10/2006 Koenig ..... D1/125  
D531,365 S \* 10/2006 Axelrod ..... D30/160  
D534,694 S \* 1/2007 Pozzoni ..... D30/160  
8,573,159 B1 \* 11/2013 Crotty ..... A01K 15/025  
119/707  
D699,416 S \* 2/2014 Barnvos ..... D1/125  
D749,292 S \* 2/2016 Peniche ..... D1/199  
D751,266 S \* 3/2016 Donatucci ..... D1/106  
D822,339 S \* 7/2018 Wilson ..... D1/199  
D822,340 S \* 7/2018 Wilson ..... D1/199  
D836,259 S \* 12/2018 Cox ..... D30/160

\* cited by examiner

*Primary Examiner* — Katie Jane Stofko

(74) *Attorney, Agent, or Firm* — Daniel J. Chalker; Edwin S. Flores; Chalker Flores, LLP

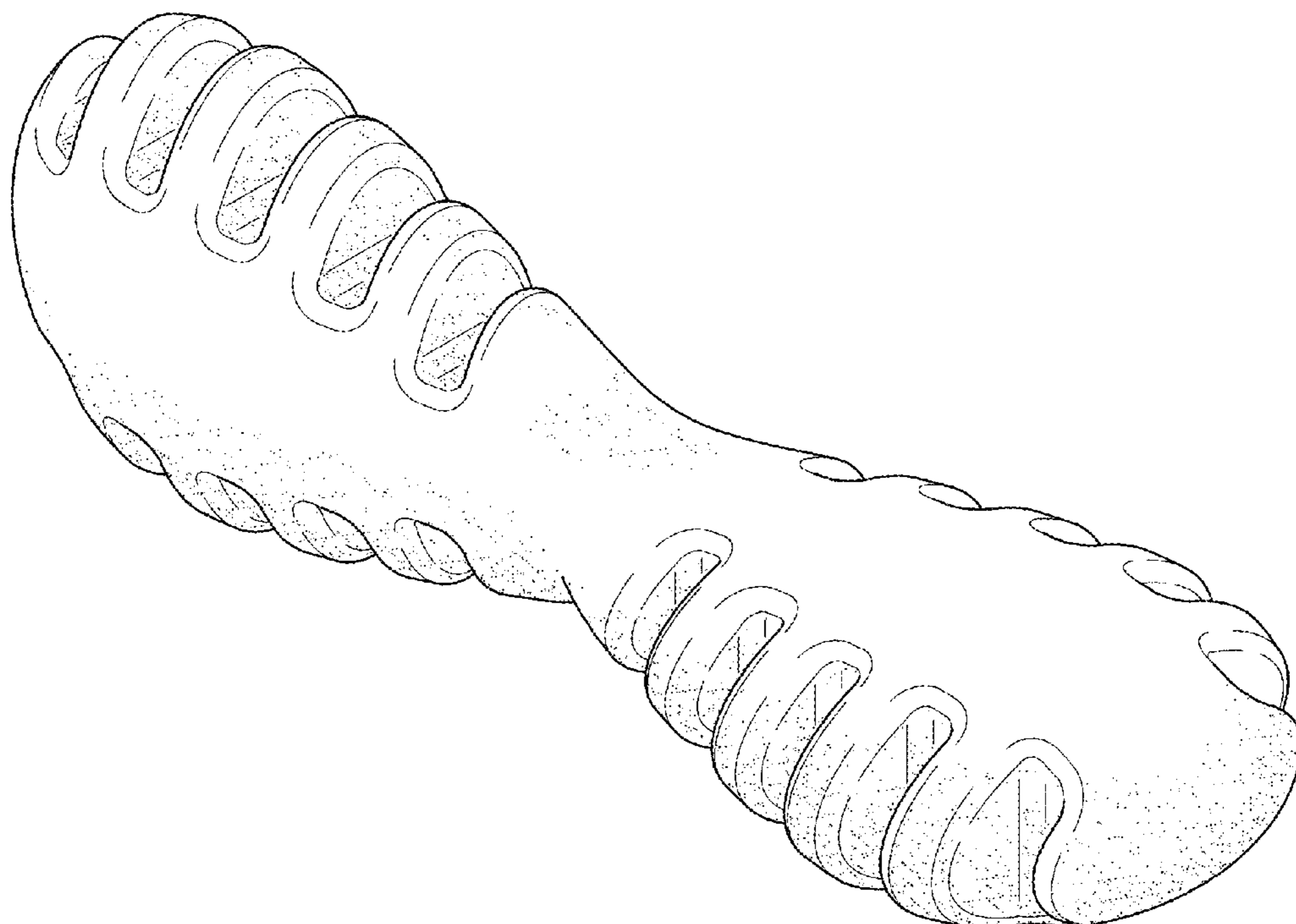
(57) **CLAIM**

The ornamental design for a pet treat, as shown and described.

**DESCRIPTION**

FIG. 1 is a perspective view of a pet treat;  
FIG. 2 is a front elevation view thereof;  
FIG. 3 is a rear elevation view thereof;  
FIG. 4 is a right side elevation view thereof;  
FIG. 5 is a left side elevation view thereof;  
FIG. 6 is a top plan view thereof; and,  
FIG. 7 is a bottom plan view thereof.

**1 Claim, 3 Drawing Sheets**



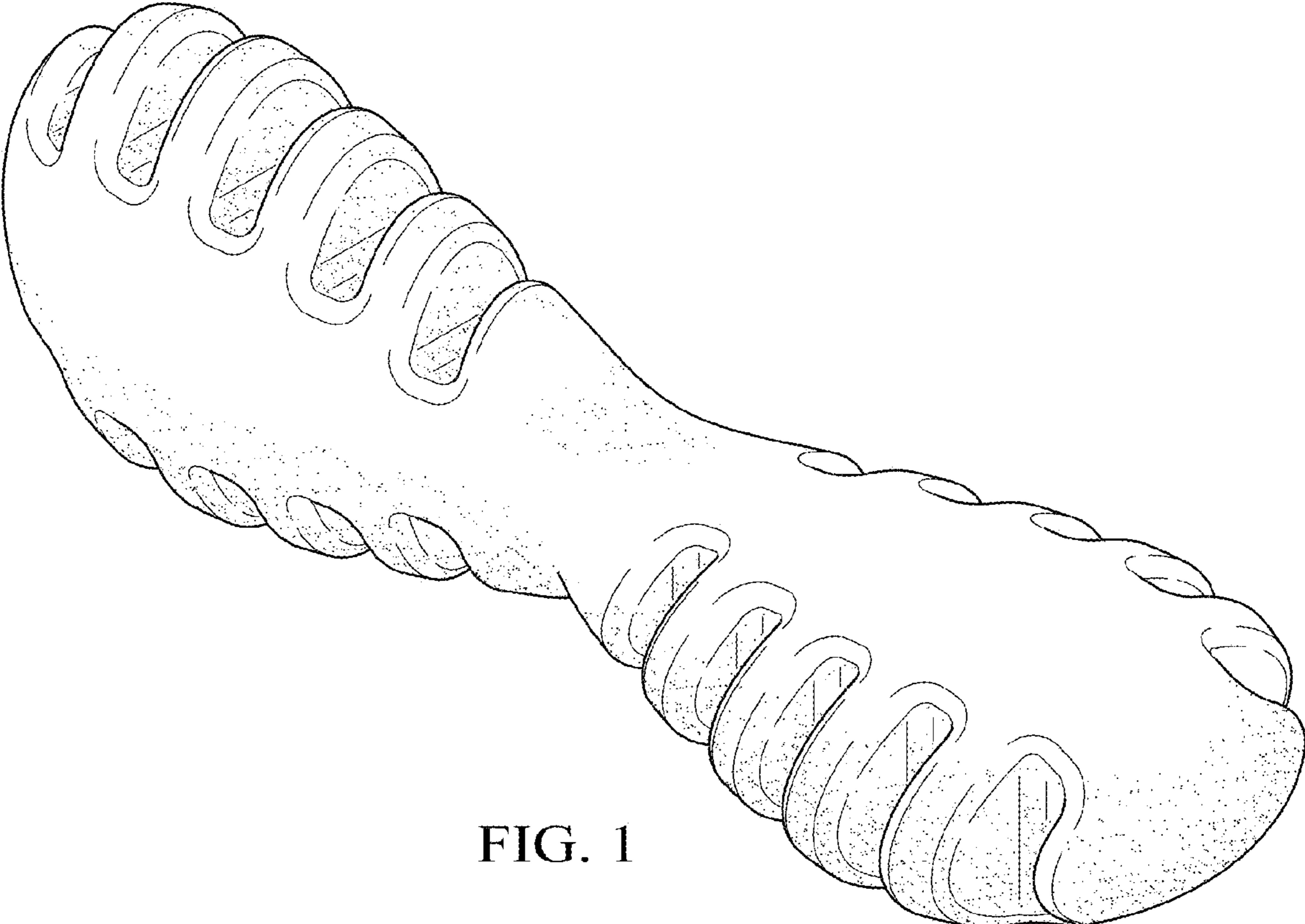


FIG. 1

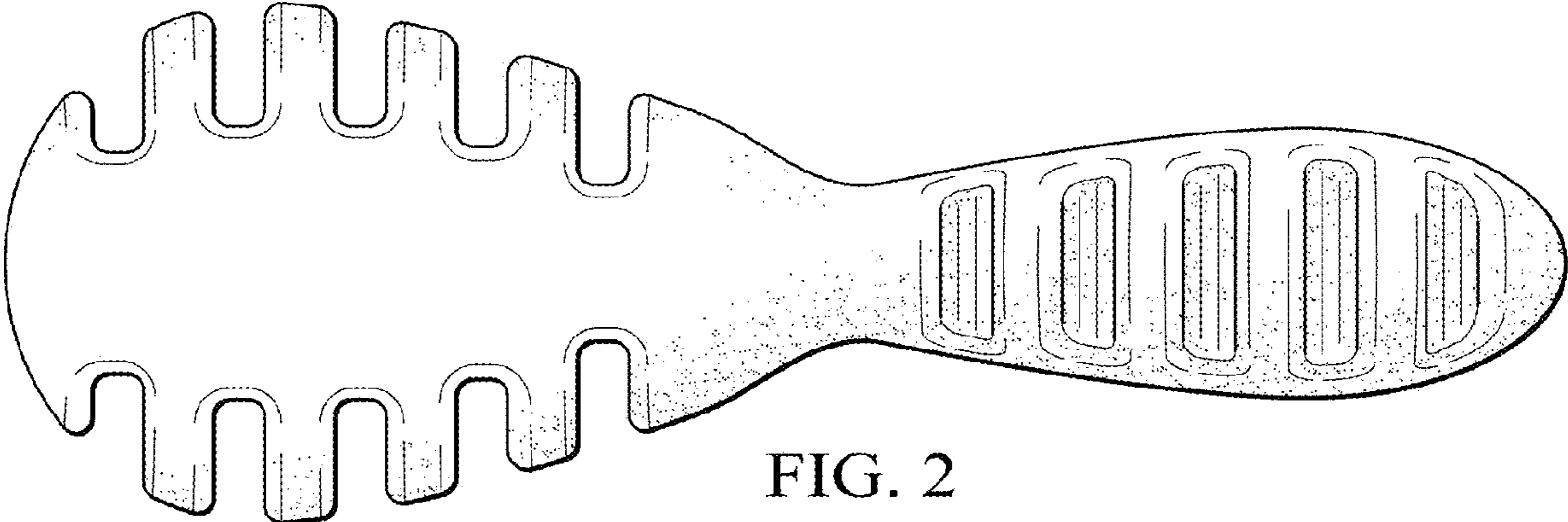


FIG. 2

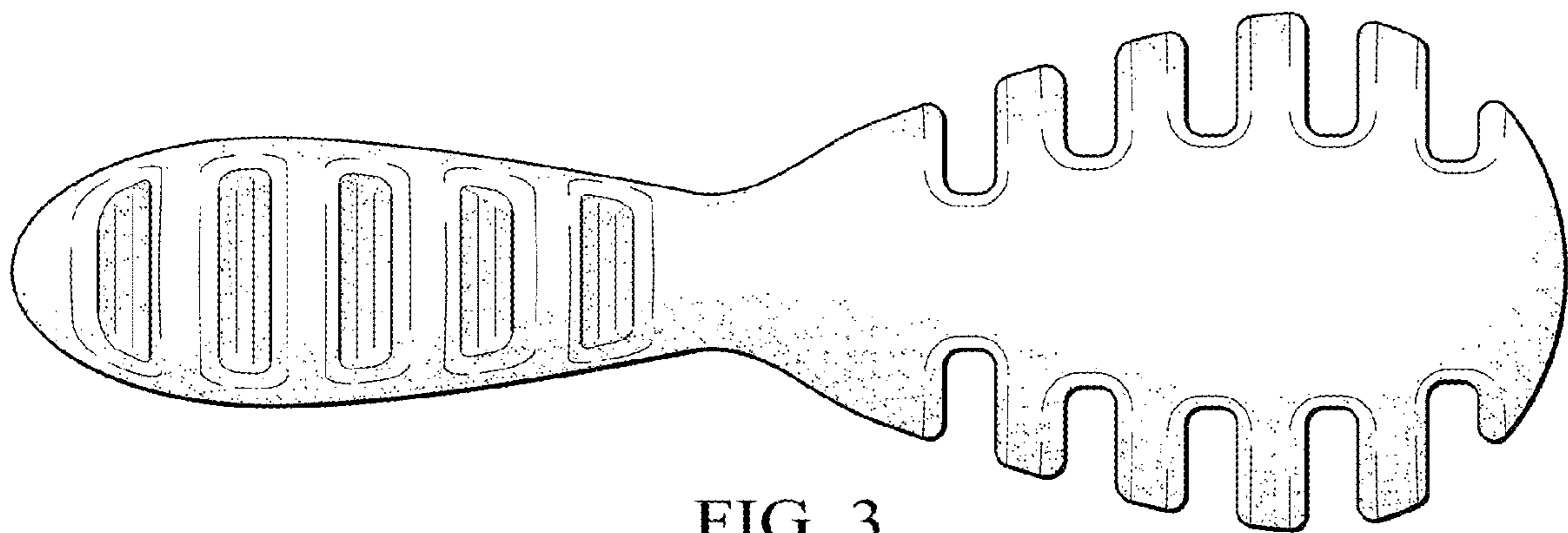


FIG. 3

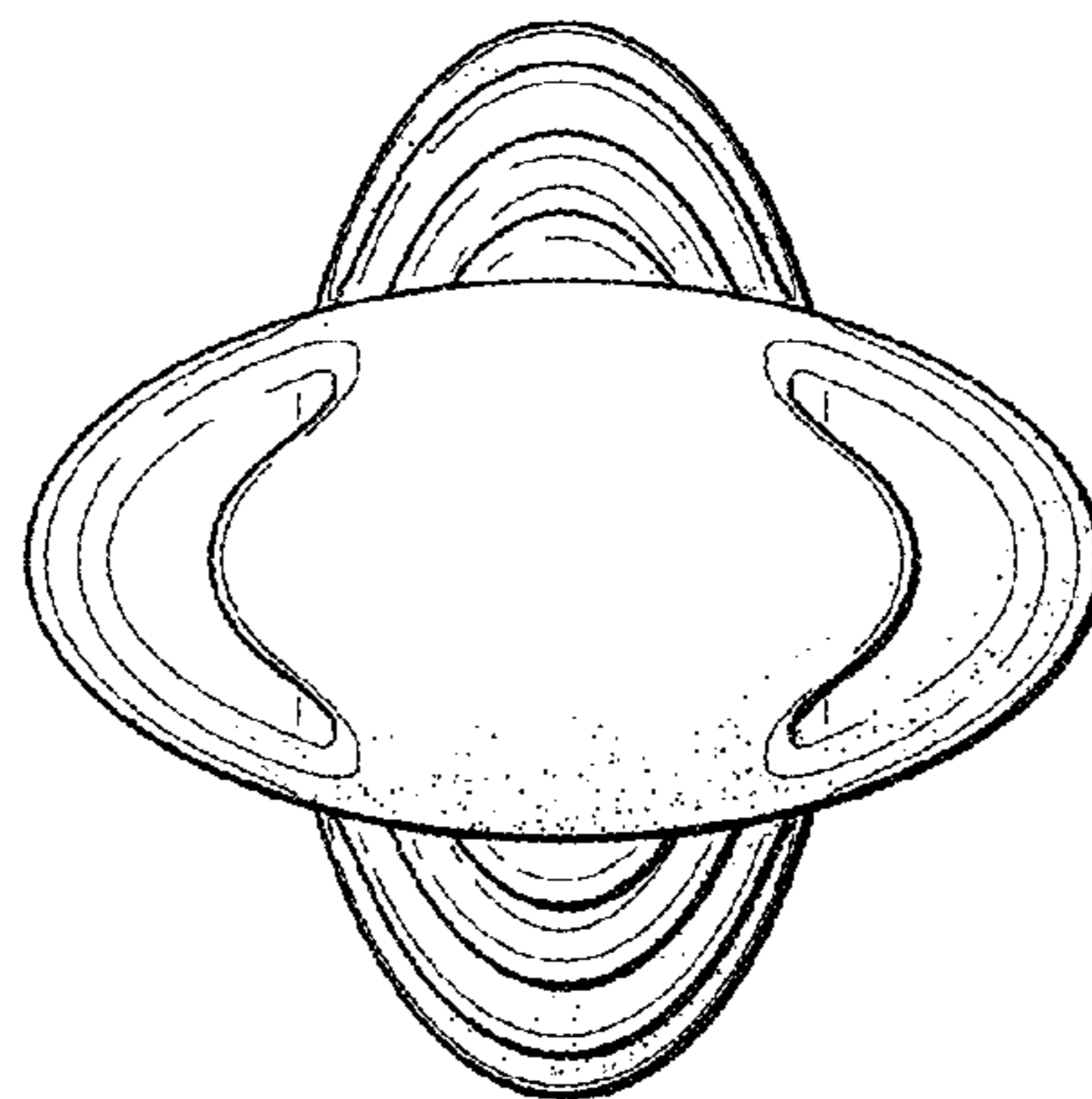


FIG. 4

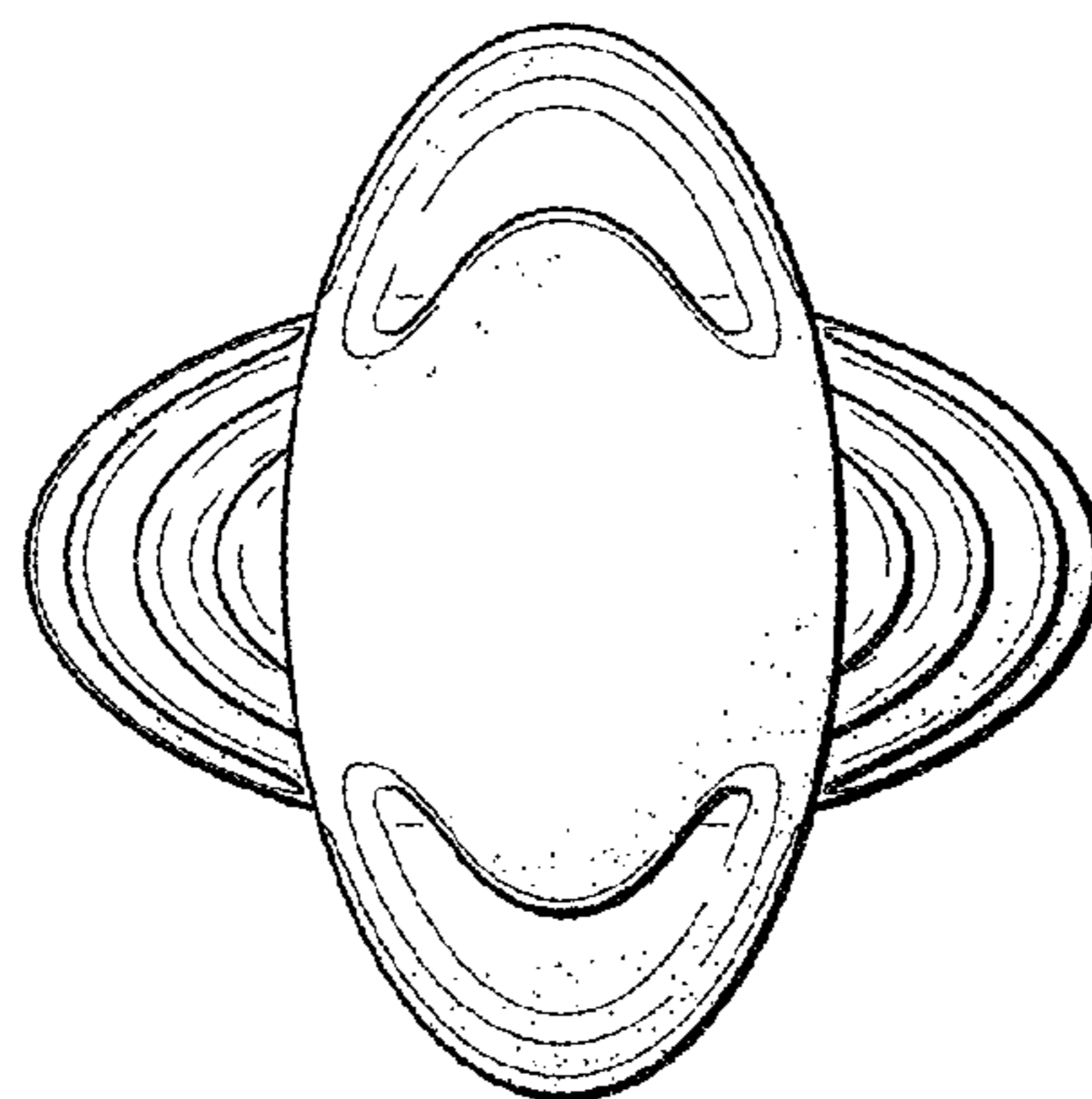


FIG. 5

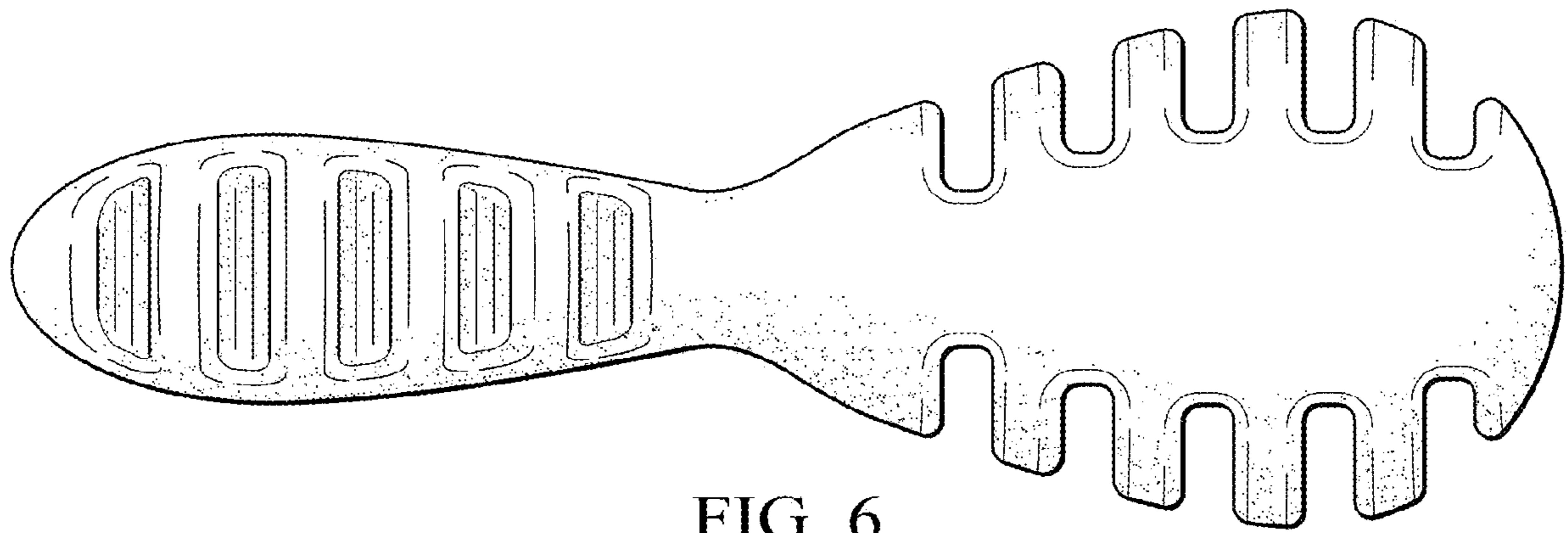


FIG. 6

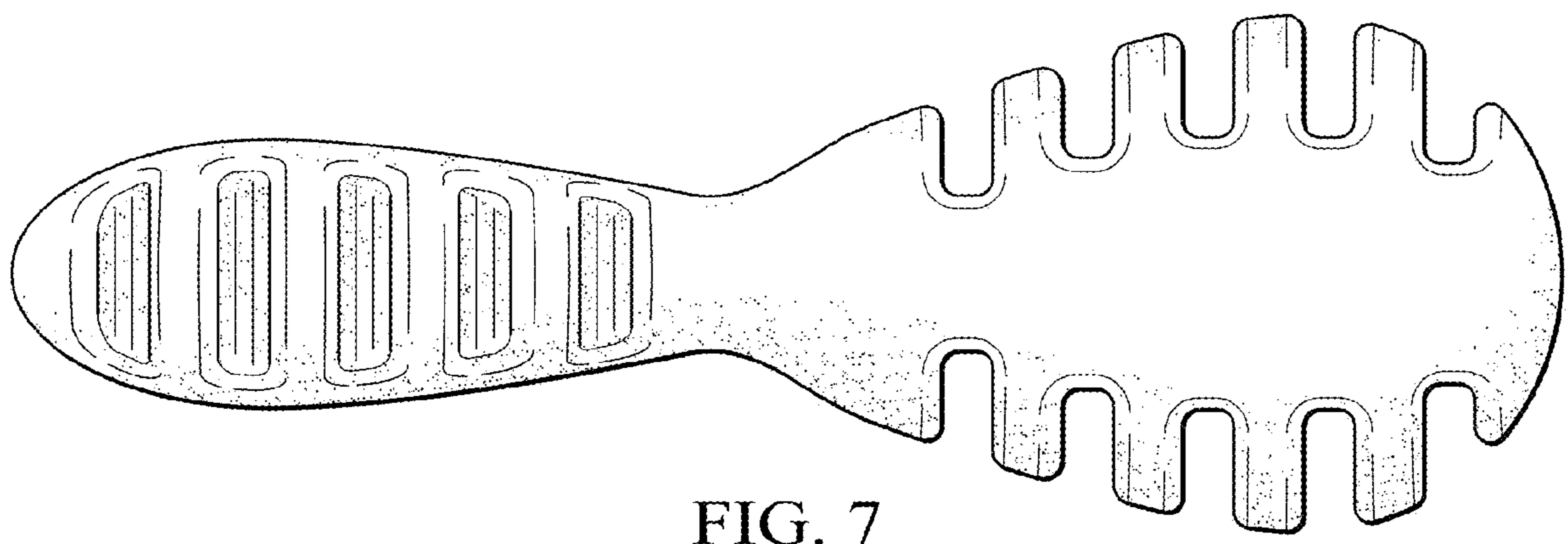


FIG. 7