



US00D909707S

(12) **United States Design Patent**  
**Maldonado**

(10) **Patent No.:** **US D909,707 S**

(45) **Date of Patent:** **\*\* Feb. 9, 2021**

(54) **FLOWER-SHAPED CONFECTION**

(71) Applicant: **Alexandre Maldonado**, Pompano Beach, FL (US)

(72) Inventor: **Alexandre Maldonado**, Pompano Beach, FL (US)

(\*\*) Term: **15 Years**

(21) Appl. No.: **29/718,891**

(22) Filed: **Dec. 30, 2019**

(51) **LOC (13) Cl.** ..... **01-01**

(52) **U.S. Cl.**  
USPC ..... **D1/115; D1/127**

(58) **Field of Classification Search**  
USPC ..... D1/100–130, 199; 426/5, 76, 87, 92, 94, 426/95, 99, 101, 103, 104, 108, 134, 426/138–139, 143, 144, 279, 282, 283, 426/391, 514, 549, 559, 560, 660, 808; D28/8.1; D6/596, 601, 518, 675; D21/501, 468; D23/207; D24/101–104; 52/607; 206/433; D30/152; D11/1, 16, D11/86, 89, 93; D25/113; D9/432, 737  
CPC ..... A23L 1/0067; A23G 9/48; A23G 3/50; A23G 9/503; A23G 3/54  
See application file for complete search history.

(56) **References Cited**

**U.S. PATENT DOCUMENTS**

D70,790 S \* 8/1926 Grunberg ..... D9/662  
D100,300 S \* 7/1936 Spoehr ..... D1/115

D373,450 S \* 9/1996 O'Rourke ..... D30/160  
D492,581 S \* 7/2004 Fahy ..... D8/378  
D494,338 S \* 8/2004 Baumhogger ..... D99/34  
7,178,364 B2 \* 2/2007 Shapiro ..... A44C 5/102  
59/80  
D607,176 S \* 1/2010 Roskam ..... D1/115  
D731,742 S \* 6/2015 Clement ..... D1/128  
D780,434 S \* 3/2017 Daniels ..... D2/976  
D807,610 S \* 1/2018 Gross ..... D1/115  
D816,494 S \* 5/2018 Candelaria ..... D9/443  
D835,381 S \* 12/2018 Allio ..... D1/115  
D848,060 S \* 5/2019 Ludert ..... D28/7

\* cited by examiner

*Primary Examiner* — Katie Jane Stofko

(74) *Attorney, Agent, or Firm* — The Concept Law Group, PA; Scott M. Garrett; Scott D. Smiley

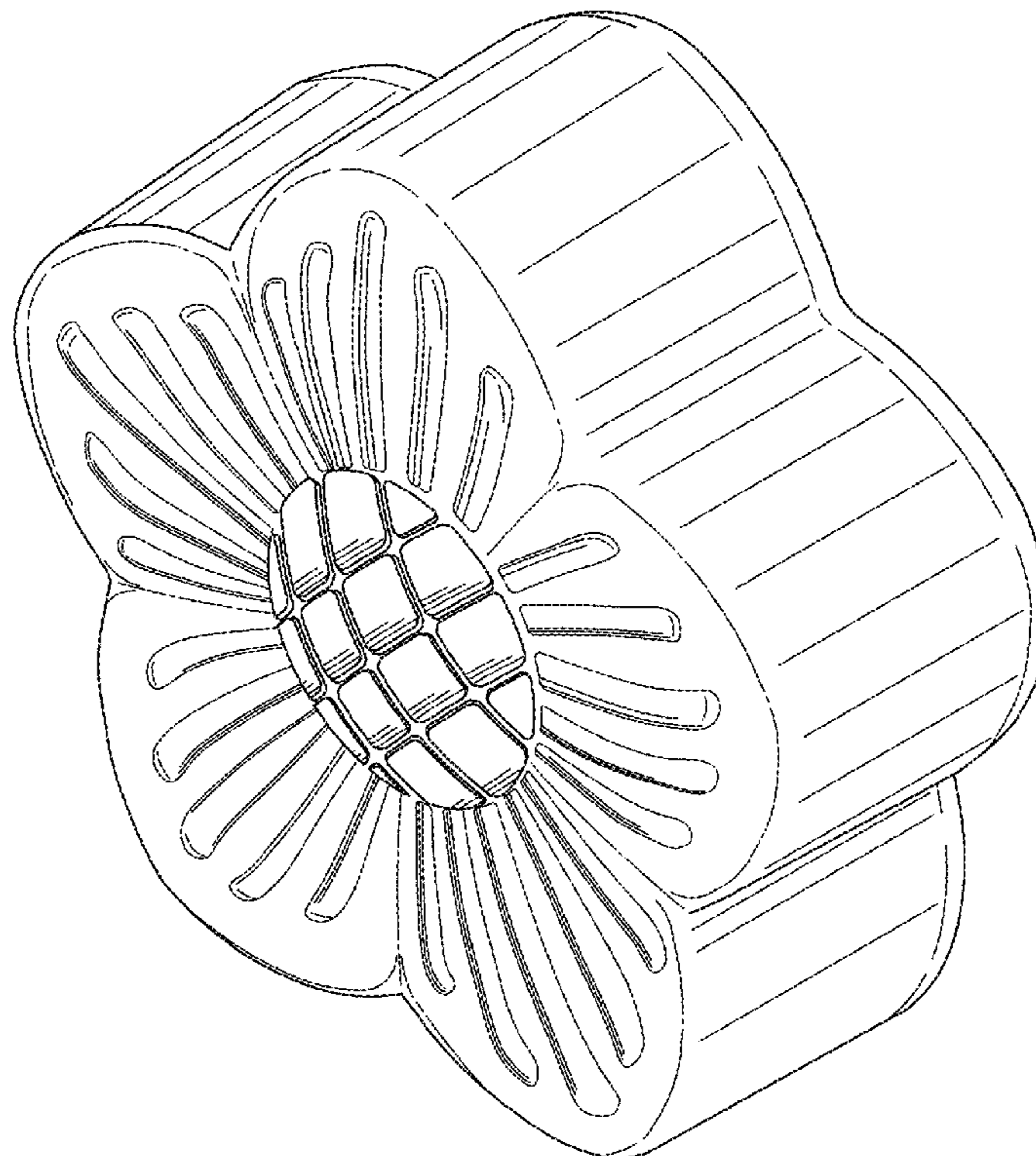
(57) **CLAIM**

The ornamental design for a flower-shaped confection, as shown and described.

**DESCRIPTION**

FIG. 1 is a top plan view of a flower-shaped confection; FIG. 2 is a first side elevational view thereof; FIG. 3 is a second side elevational view thereof; FIG. 4 is a bottom plan view thereof; FIG. 5 is a third side elevational view thereof; FIG. 6 is fourth side elevational view thereof; and, FIG. 7 is a front side perspective view thereof.

**1 Claim, 5 Drawing Sheets**



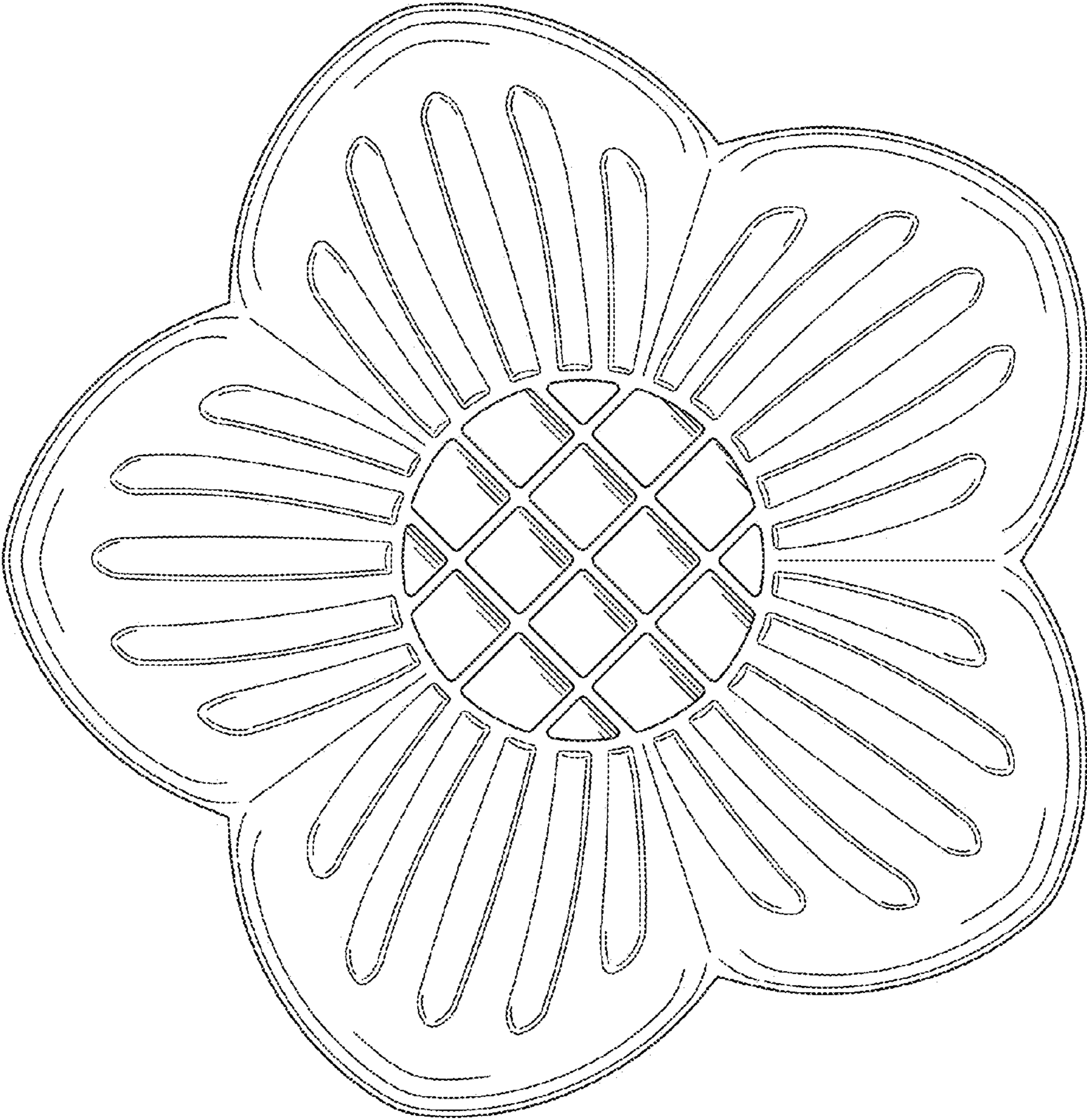


FIG.1

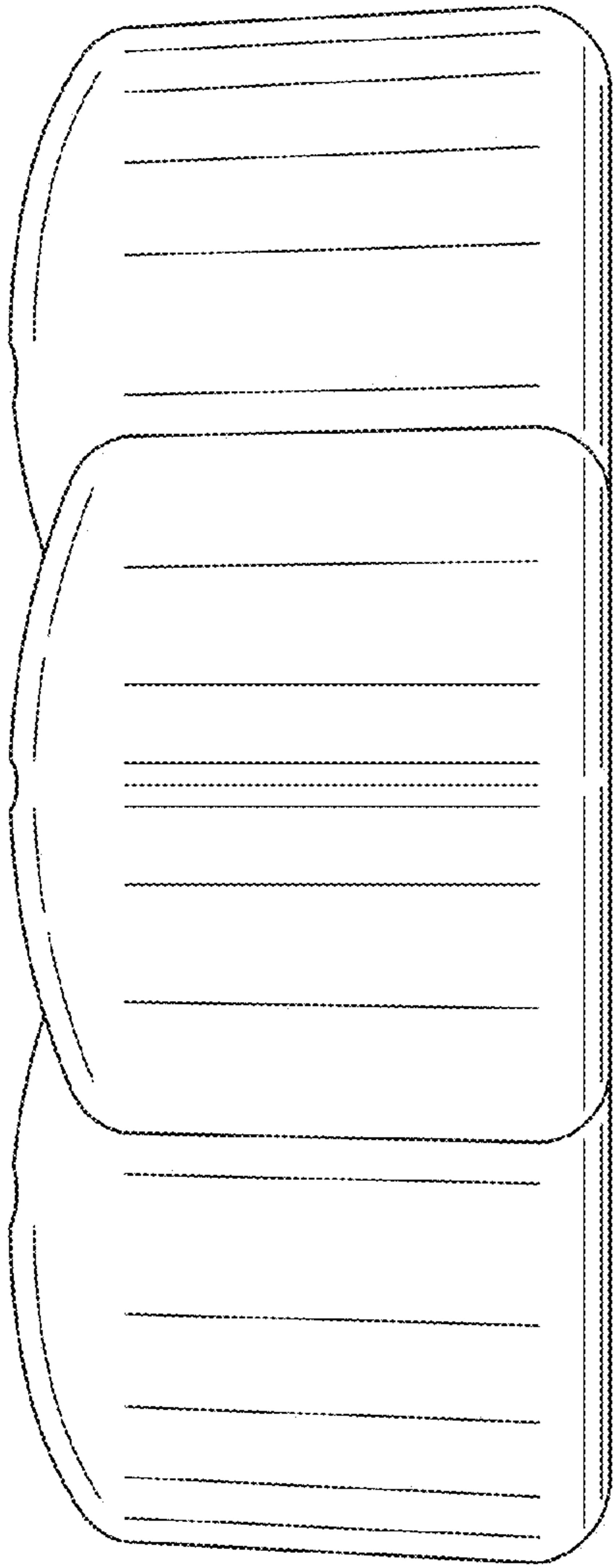


FIG.2

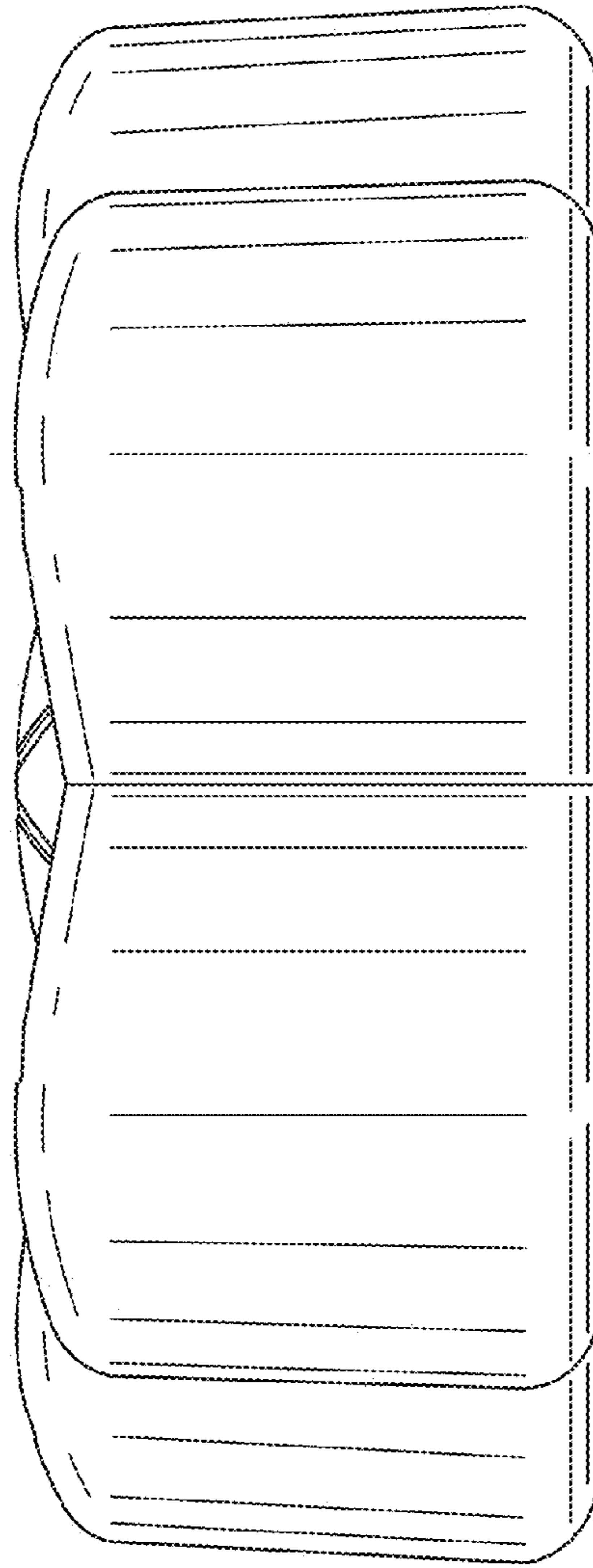


FIG.3

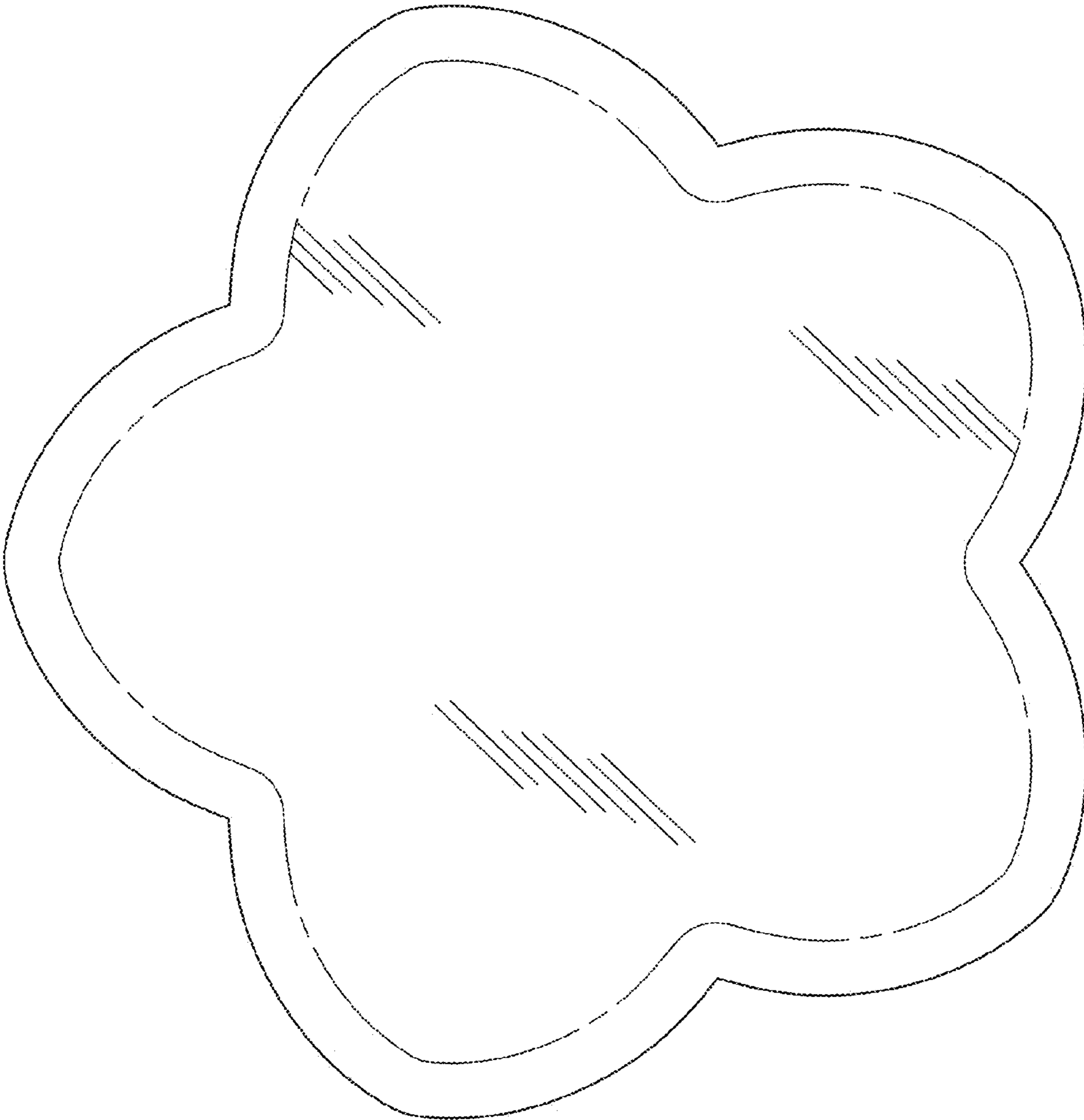


FIG.4

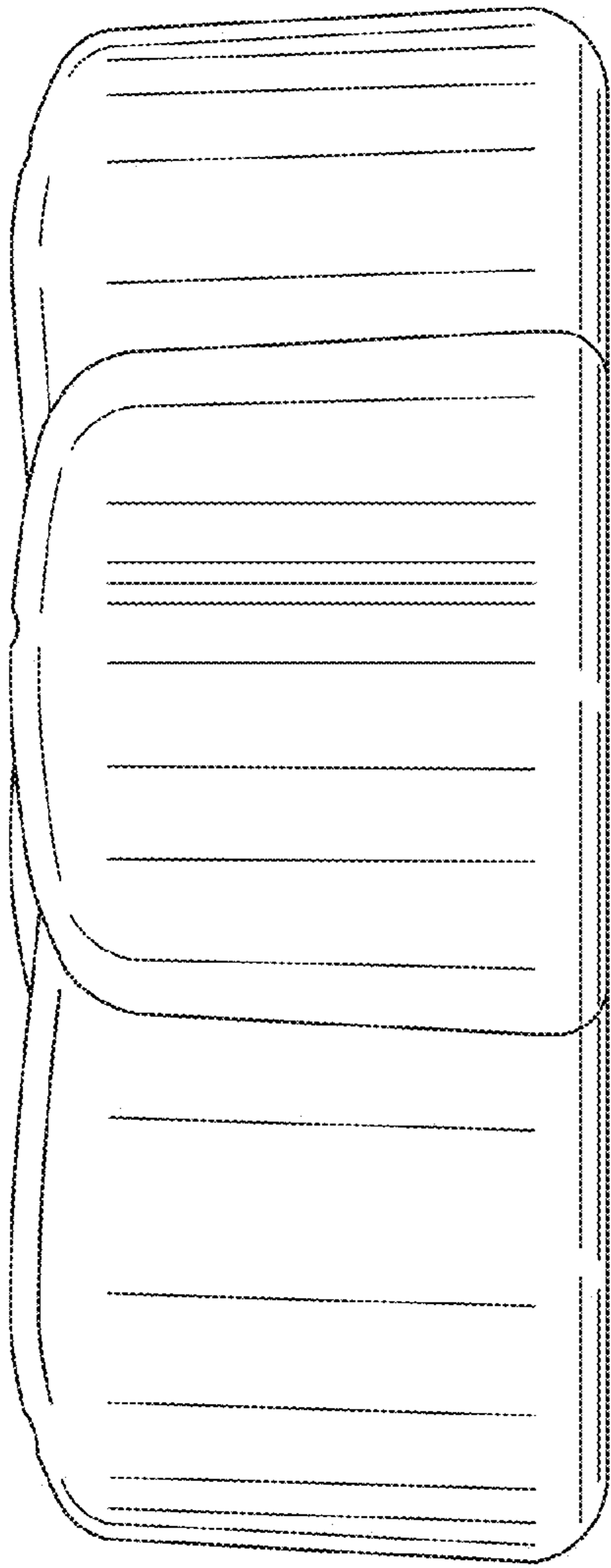


FIG. 5

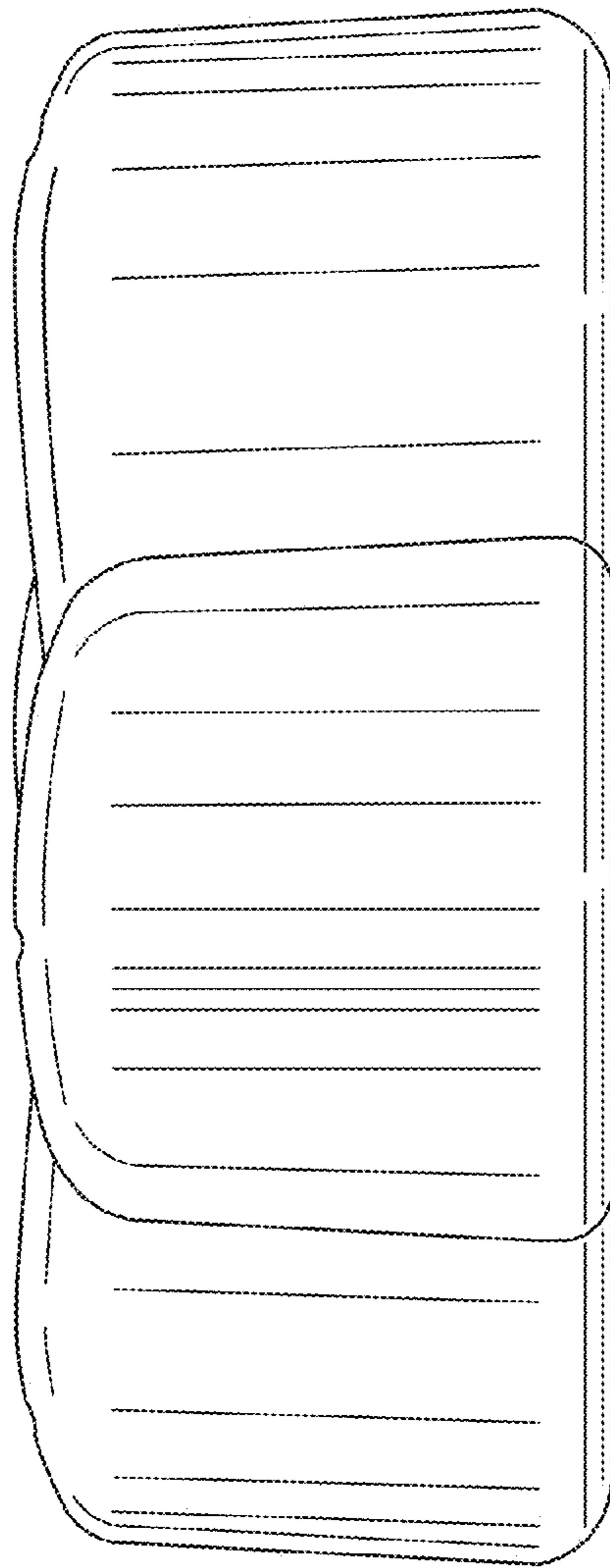


FIG. 6

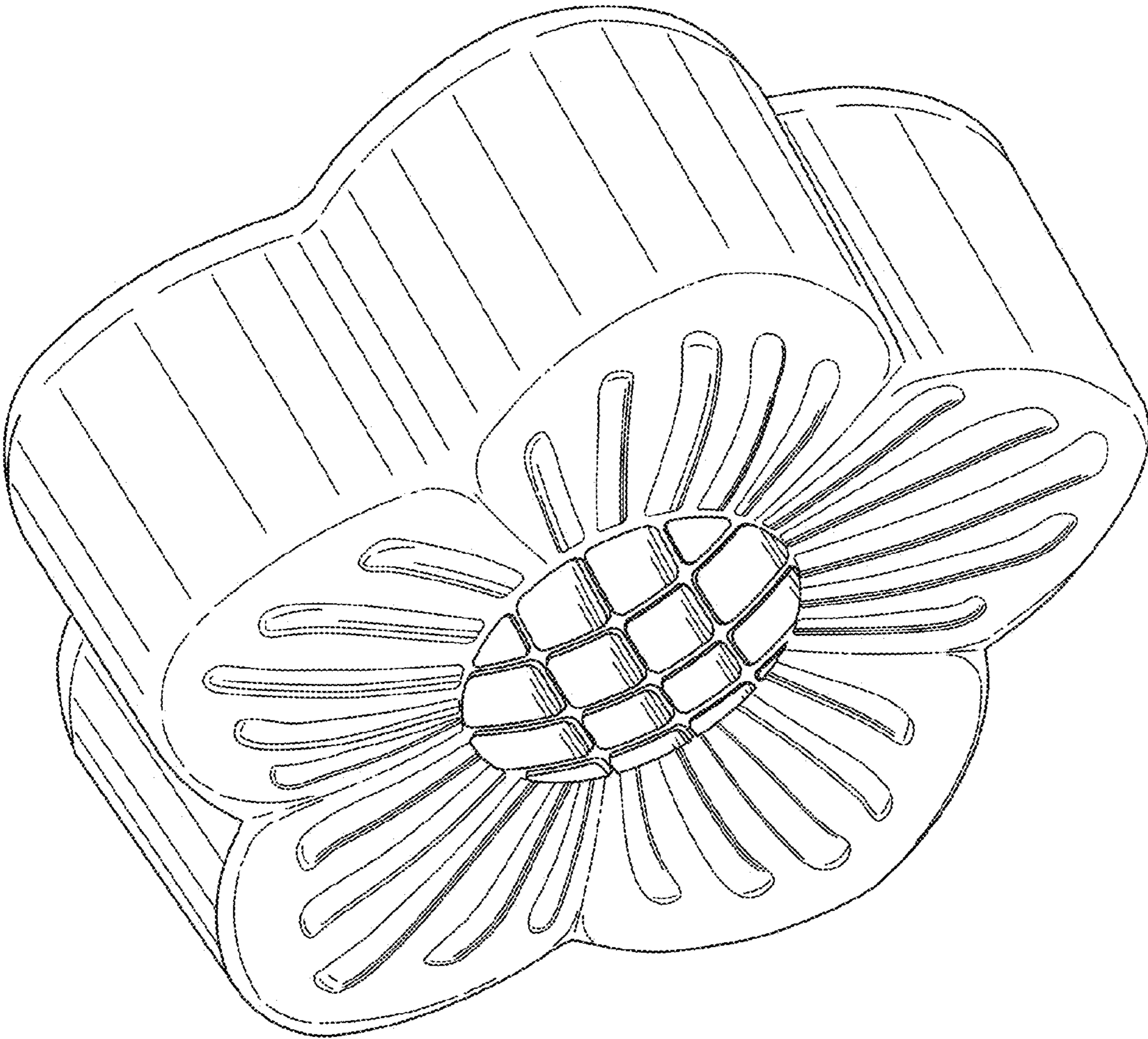


FIG.7