



US00D909702S

(12) **United States Design Patent**  
**Zurewich**

(10) **Patent No.:** **US D909,702 S**

(45) **Date of Patent:** **\*\* \*Feb. 2, 2021**

(54) **CONVEYOR BEAM**

(71) Applicant: **DYCO, INC.**, Bloomsburg, PA (US)

(72) Inventor: **Thomas M. Zurewich**, Orangeville, PA (US)

(73) Assignee: **Dyco, Inc.**, Bloomsburg, PA (US)

(\*) Notice: This patent is subject to a terminal disclaimer.

(\*\*) Term: **15 Years**

(21) Appl. No.: **29/687,659**

(22) Filed: **Apr. 15, 2019**

(51) **LOC (13) Cl.** ..... **12-05**

(52) **U.S. Cl.**

USPC ..... **D34/29**; D34/35; D25/122

(58) **Field of Classification Search**

USPC ..... D34/29, 33, 35; D25/119, 122, 124, 136  
CPC .... B66C 6/00; B66C 1/00; B66C 7/00; B66C 7/02; B66C 7/04; B66C 7/08; E04C 2003/0404; E04C 2003/0408; E04C 2003/0426; E04C 2003/0434; E04C 2003/0439; E04C 2003/0443; E04C 2003/0452; E04C 2003/0456; E04C 2003/0465; E04C 3/02; E04C 3/04; F16D 63/00; B65G 17/40; B65G 21/00; B65G 15/64; E04H 12/2292; E01F 15/0469; E02D 27/00; E02D 27/01; E02D 27/02  
See application file for complete search history.

(56) **References Cited**

**U.S. PATENT DOCUMENTS**

3,043,408 A \* 7/1962 Attwood ..... E04C 3/07  
52/842  
D410,290 S \* 5/1999 Gabriele ..... D25/122

D464,783 S \* 10/2002 Abbestam ..... D25/119  
D467,013 S \* 12/2002 Ballard ..... D25/124  
D514,710 S \* 2/2006 Franson ..... D25/124  
D572,372 S \* 7/2008 Koch ..... B66C 7/02  
D25/38.1  
D655,884 S \* 3/2012 Spies ..... D34/35  
D670,474 S \* 11/2012 Koch ..... B66C 7/02  
D34/35  
D733,937 S \* 7/2015 Hillstrom ..... D25/122  
D764,140 S \* 8/2016 Holzhaeuser ..... D34/35  
D874,783 S \* 2/2020 Neves ..... D34/35  
D881,416 S \* 4/2020 Jiang ..... D25/122  
2005/0098059 A1 \* 5/2005 Wallner ..... B66C 11/06  
104/89  
2007/0284506 A1 \* 12/2007 Benedict ..... E04G 17/06  
249/190  
2018/0282070 A1 \* 10/2018 Specht ..... B65G 21/02  
2018/0283007 A1 \* 10/2018 Lukito ..... E04C 3/07

\* cited by examiner

*Primary Examiner* — Cynthia Ramirez

(74) *Attorney, Agent, or Firm* — McNeese Wallace & Nurick LLC

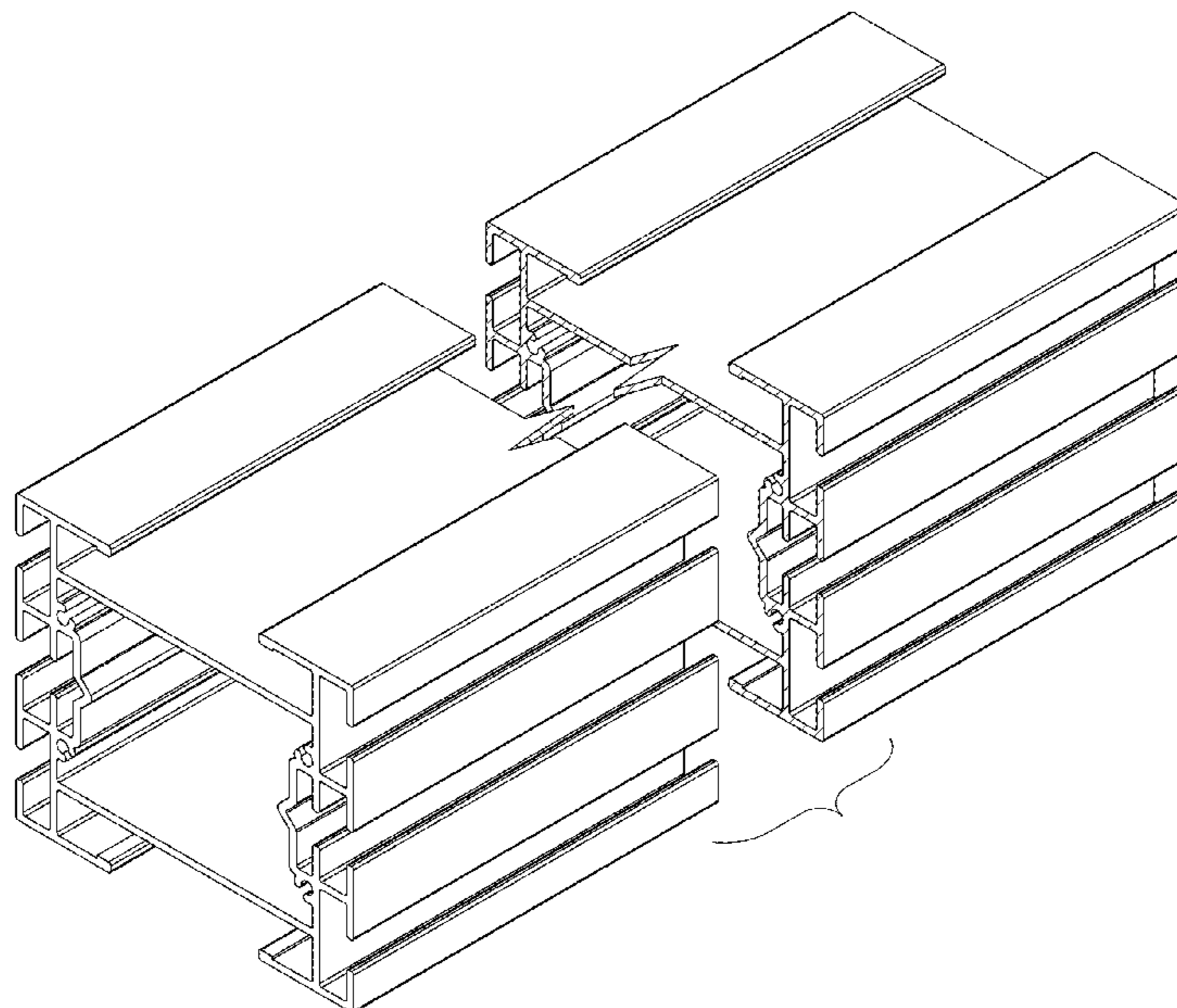
(57) **CLAIM**

The ornamental design for a conveyor beam, as shown and described.

**DESCRIPTION**

FIG. 1 is a top-front perspective view of a conveyor beam, showing the design;  
FIG. 2 is both a top plan view and a bottom plan view thereof;  
FIG. 3 is both a front view and a rear view thereof; and,  
FIG. 4 is both a left view and a right view thereof.  
The conveyor beam has been shown with a symbolic break in its length. The appearance of any portion of the conveyor beam in the drawings between the break lines form no part of the claimed design.

**1 Claim, 4 Drawing Sheets**



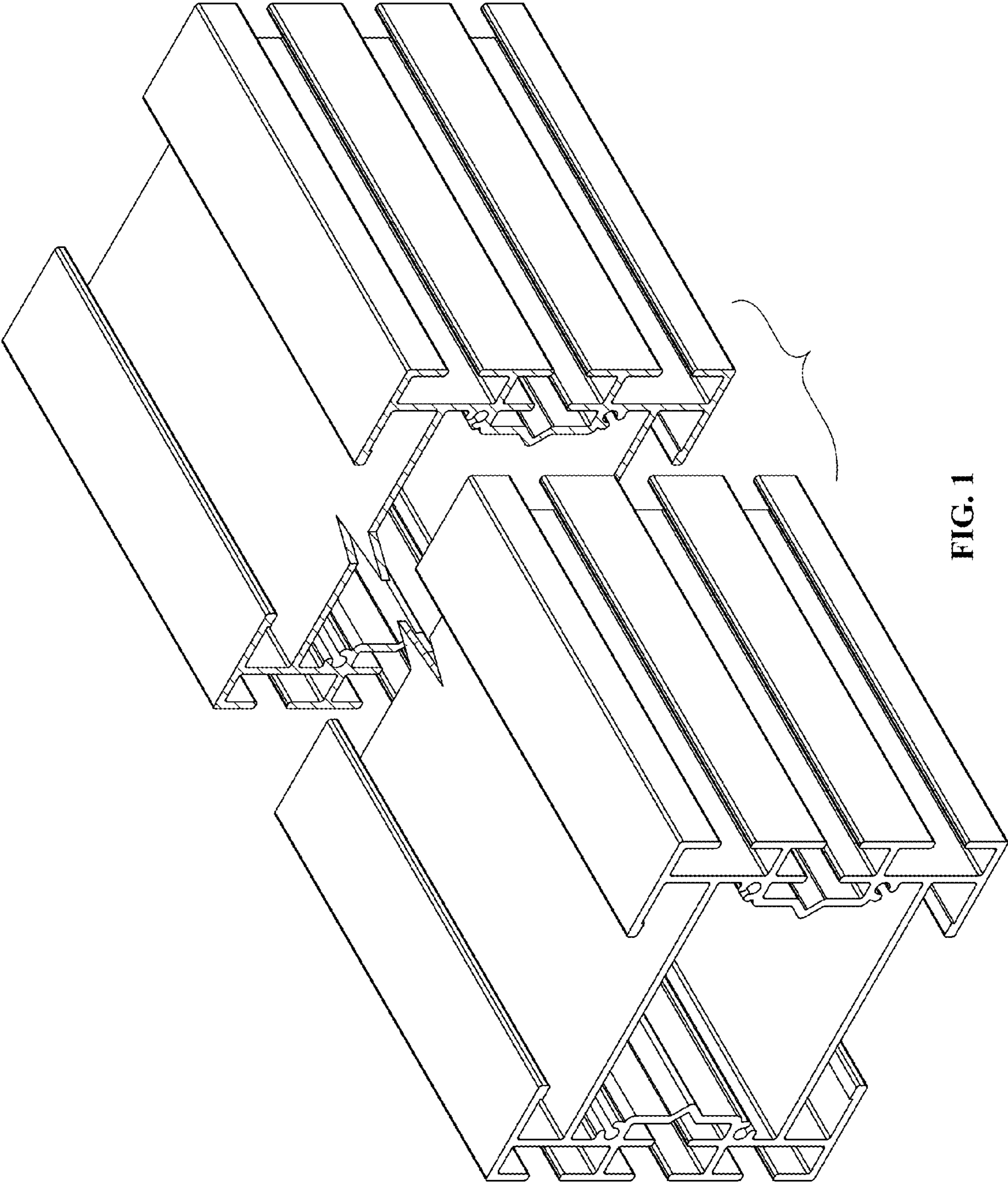


FIG. 1

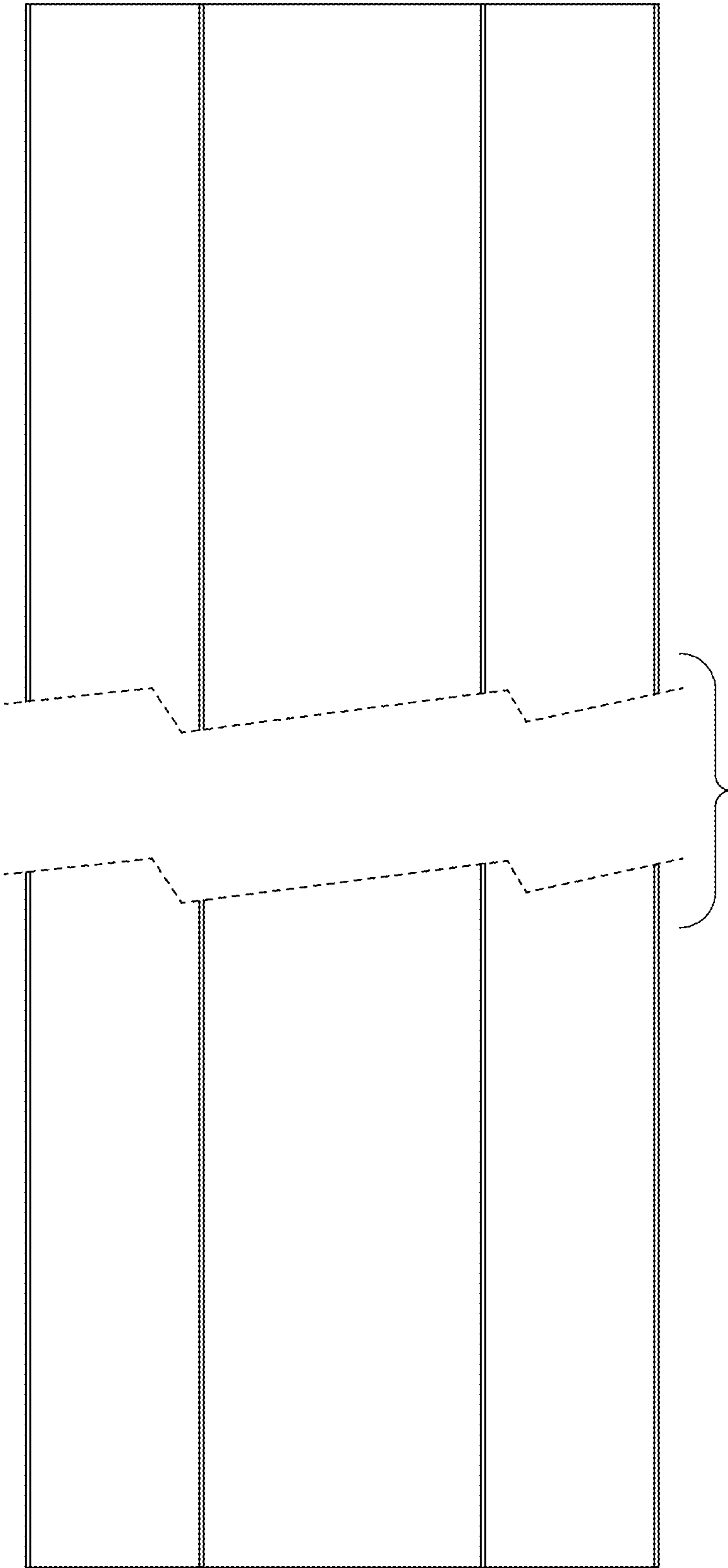


FIG. 2

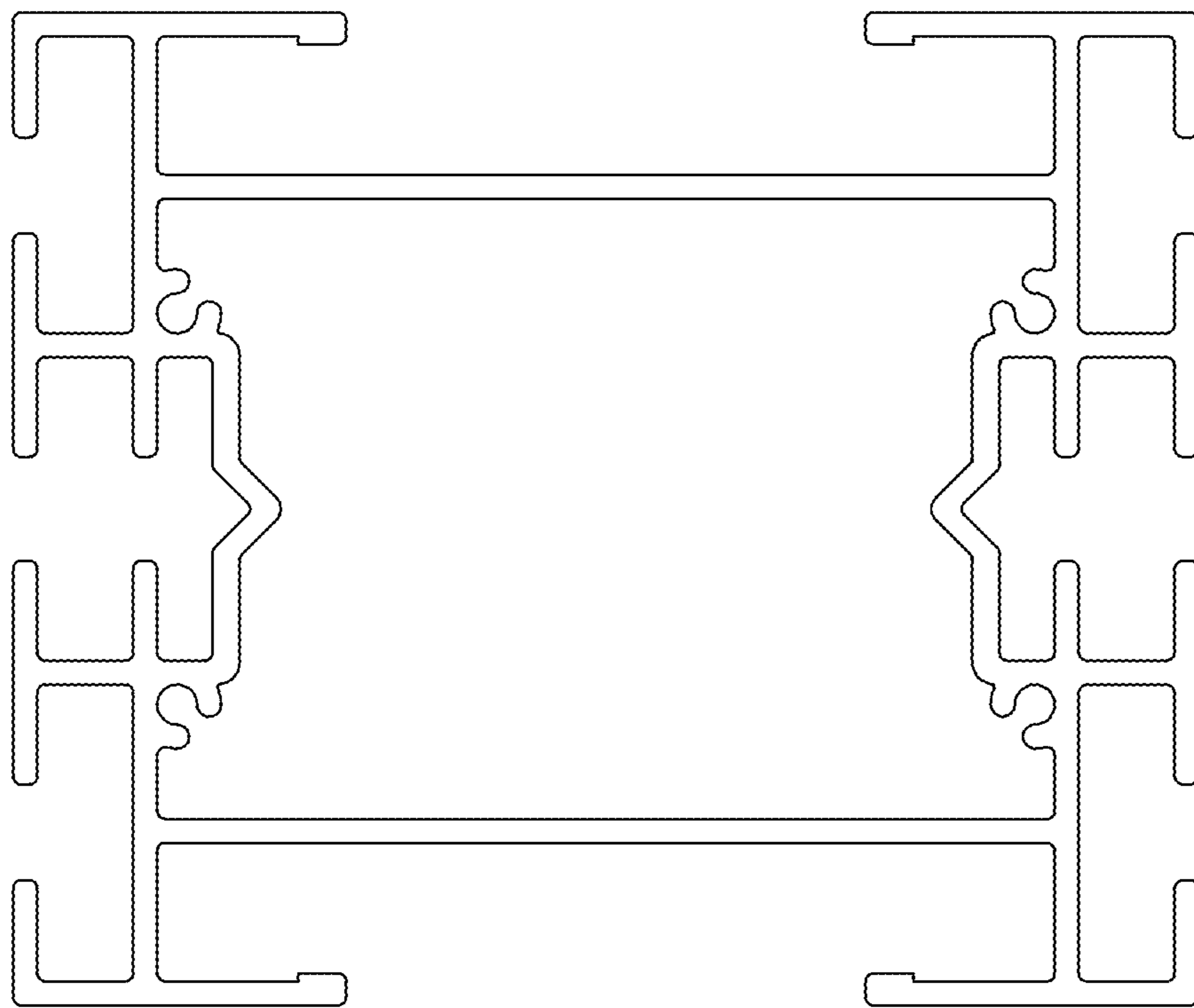


FIG. 3

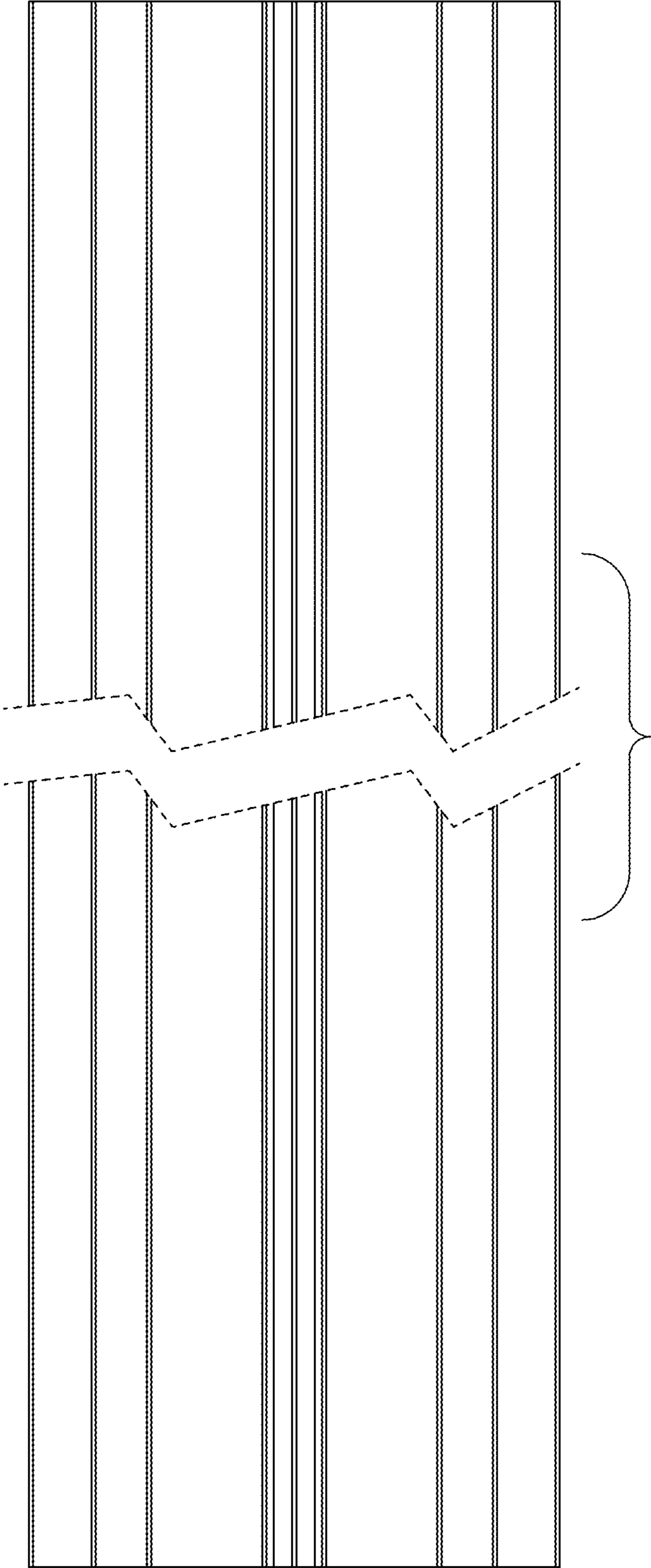


FIG. 4