



US00D909701S

(12) **United States Design Patent** (10) **Patent No.:** **US D909,701 S**
Diaz, III et al. (45) **Date of Patent:** **** Feb. 2, 2021**

(54) **CADDY**
(71) Applicant: **Lil Clean Caddy LLC**, Surprise, AZ (US)
(72) Inventors: **Santos M Diaz, III**, Surprise, AZ (US); **Walter Balfour**, Chandler, AZ (US)
(73) Assignee: **Lil Clean Caddy LLC**, Surprise, AZ (US)

2008/0136130 A1 6/2008 Washington
2010/0052293 A1 3/2010 Brooks et al.
2010/0066045 A1 3/2010 Presnell et al.
2013/0118818 A1* 5/2013 Smith B62B 1/12
180/19.1
2015/0091265 A1 4/2015 Bentson

FOREIGN PATENT DOCUMENTS

JP 3162474 U 9/2010

OTHER PUBLICATIONS

Rubbermaid, Rubbermaid Executive Series (Brochure), Retrieved from the Internet: <https://images.salsify.com/image/upload/s--hmBdRmKe--/byzbq0u0m83rxc3mv27k.pdf> [downloaded Dec. 31, 2018] 2018, 5 pages.

* cited by examiner

Primary Examiner — Cynthia Ramirez
(74) *Attorney, Agent, or Firm* — Adam R. Stephenson, Ltd.

(57) **CLAIM**

The ornamental design for a caddy, as shown and described.

DESCRIPTION

FIG. 1 is a top, front perspective view of a caddy, showing our new design;
FIG. 2 is a top, rear perspective view thereof;
FIG. 3 is front view thereof;
FIG. 4 is a rear view thereof;
FIG. 5 is a left side view thereof, the right side being a mirror image;
FIG. 6 is a top view thereof; and,
FIG. 7 is a bottom view thereof.
All broken lines represent portions of the caddy, which form no part of the claimed design.

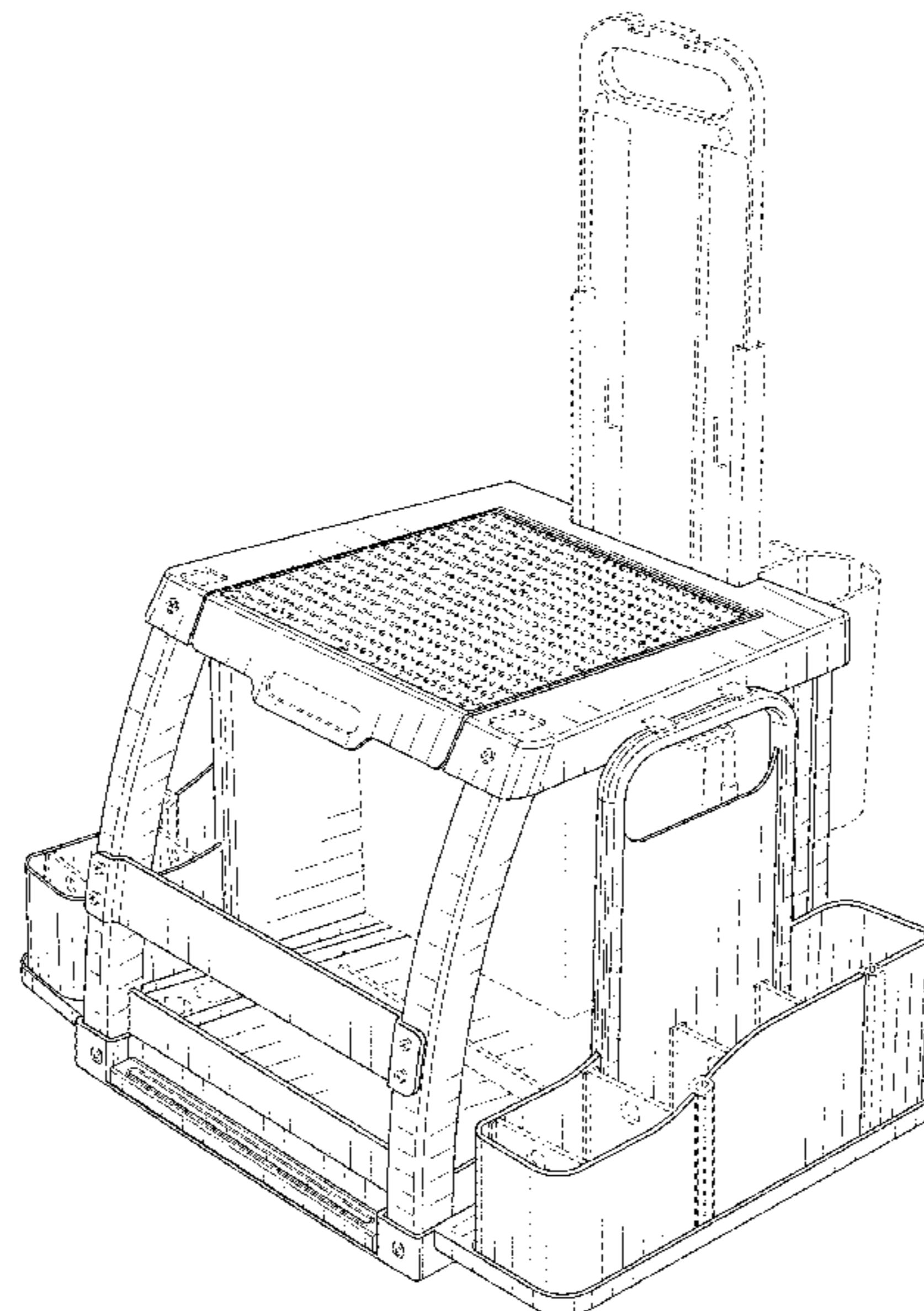
1 Claim, 7 Drawing Sheets

(**) Term: **15 Years**
(21) Appl. No.: **29/693,884**
(22) Filed: **Jun. 5, 2019**
(51) **LOC (13) Cl.** **12-02**
(52) **U.S. Cl.**
USPC **D34/20**
(58) **Field of Classification Search**
USPC D34/12, 14, 17, 19, 24, 26, 20, 21
CPC B62B 3/086; B62B 3/1444; B62B 3/02;
B62B 1/10; B62B 1/12
See application file for complete search history.

(56) **References Cited**

U.S. PATENT DOCUMENTS

3,020,972 A	3/1960	Hockett	
3,709,513 A	1/1973	Cassimally	
D345,842 S *	4/1994	Sloan	D34/24
5,380,033 A	1/1995	Harling	
5,575,362 A	11/1996	Franklin et al.	
5,893,572 A	4/1999	Parks	
6,497,423 B1	12/2002	Perelli et al.	
D473,989 S *	4/2003	Hittle	D34/18
6,761,366 B1	7/2004	Klemmensen et al.	
6,827,357 B2	12/2004	Calmeise et al.	
7,338,054 B2	3/2008	Pint	
D708,411 S *	7/2014	Schnautz	D34/14
D756,587 S *	5/2016	Zenkus	D34/24
D826,510 S *	8/2018	Brunner	D34/24
10,086,508 B2	10/2018	Hoppe et al.	



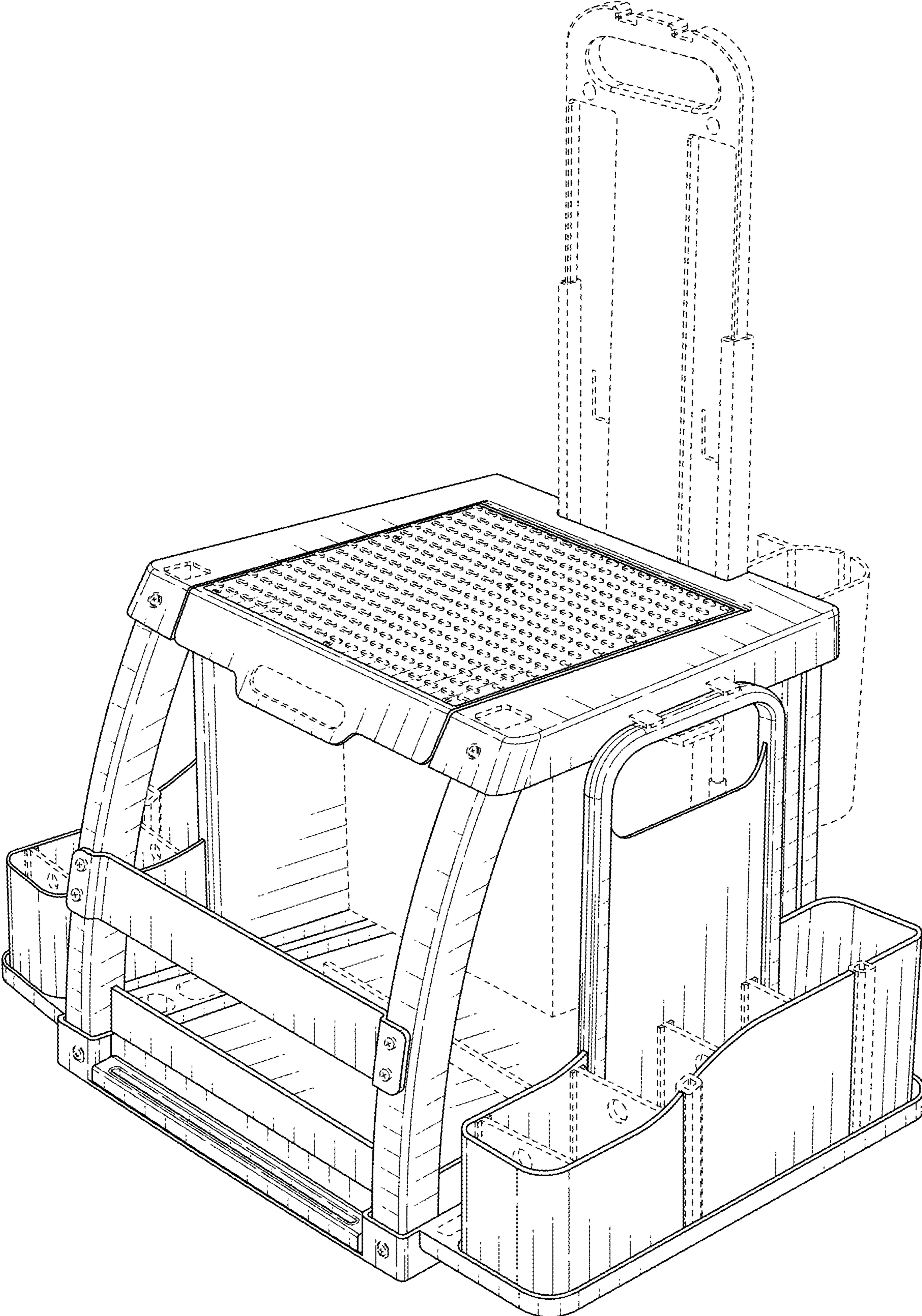


FIG. 1

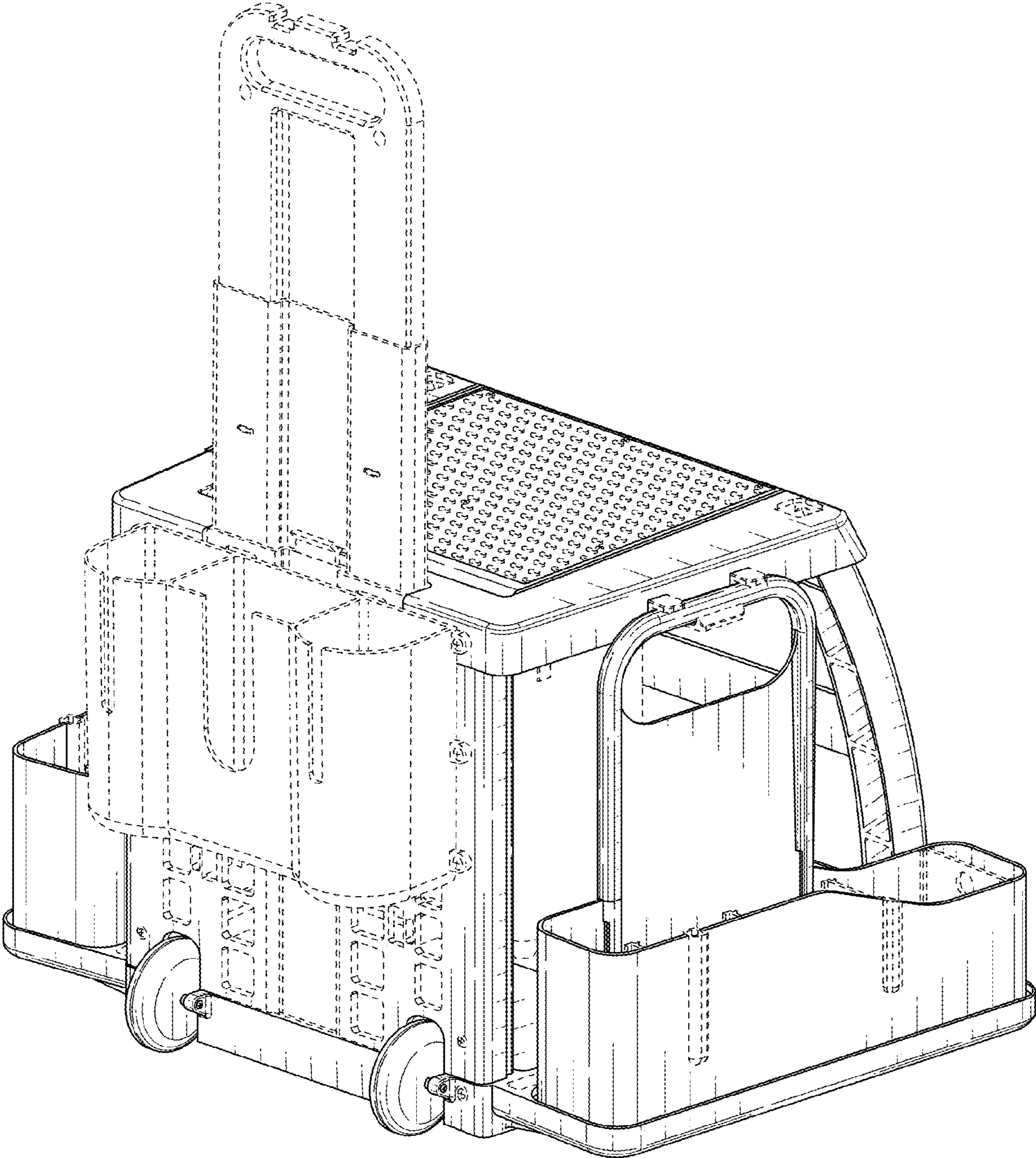


FIG. 2

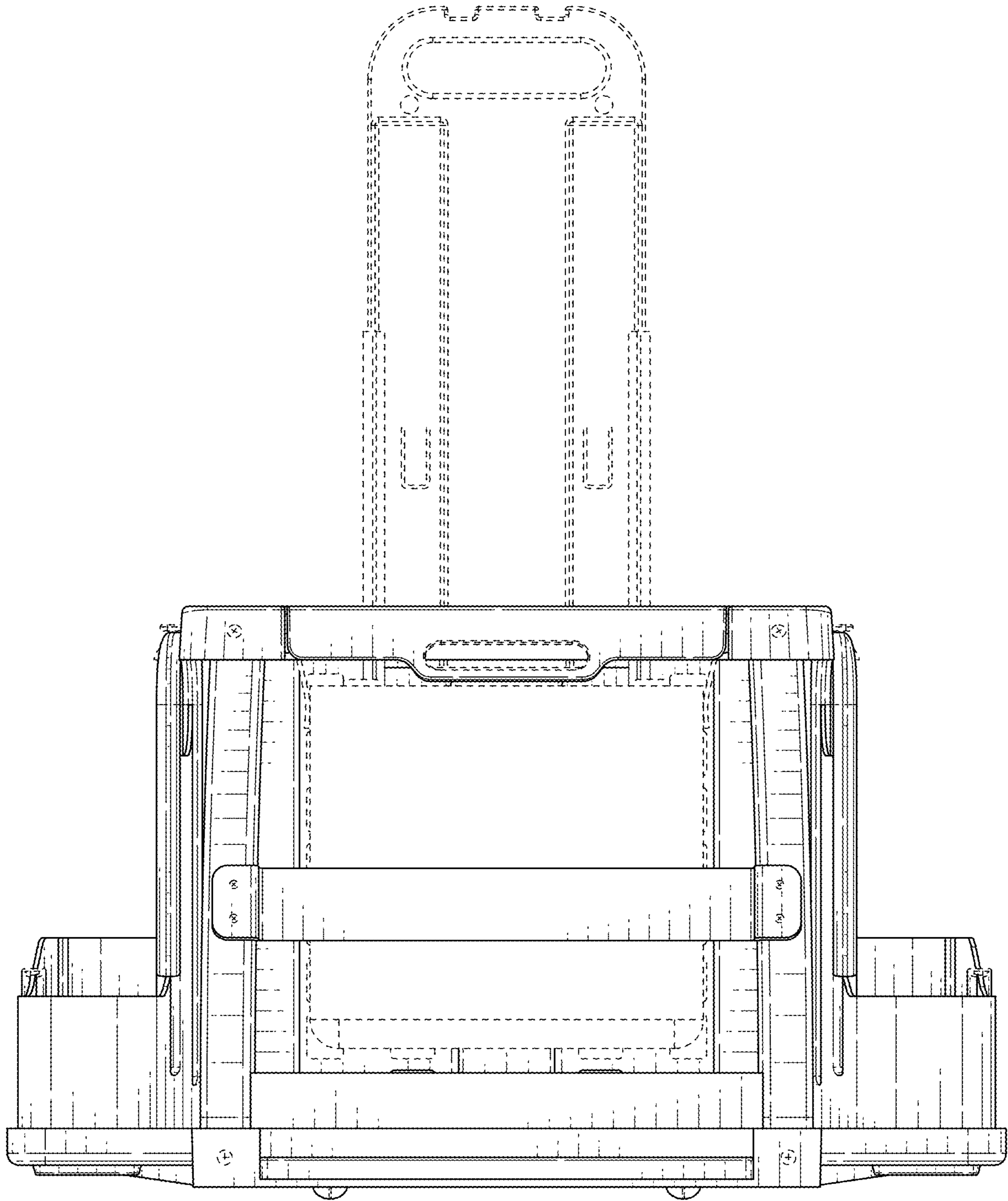


FIG. 3

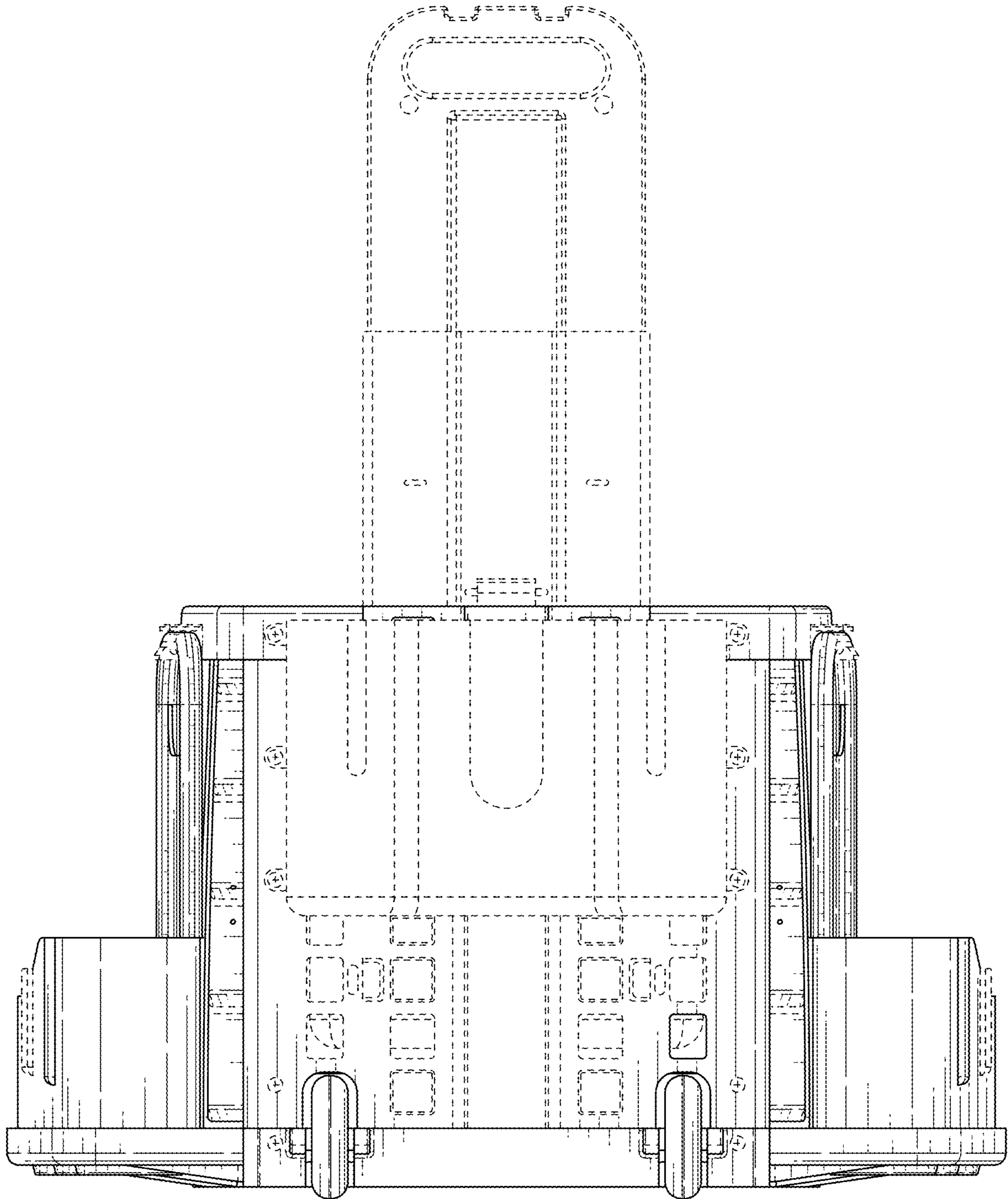


FIG. 4

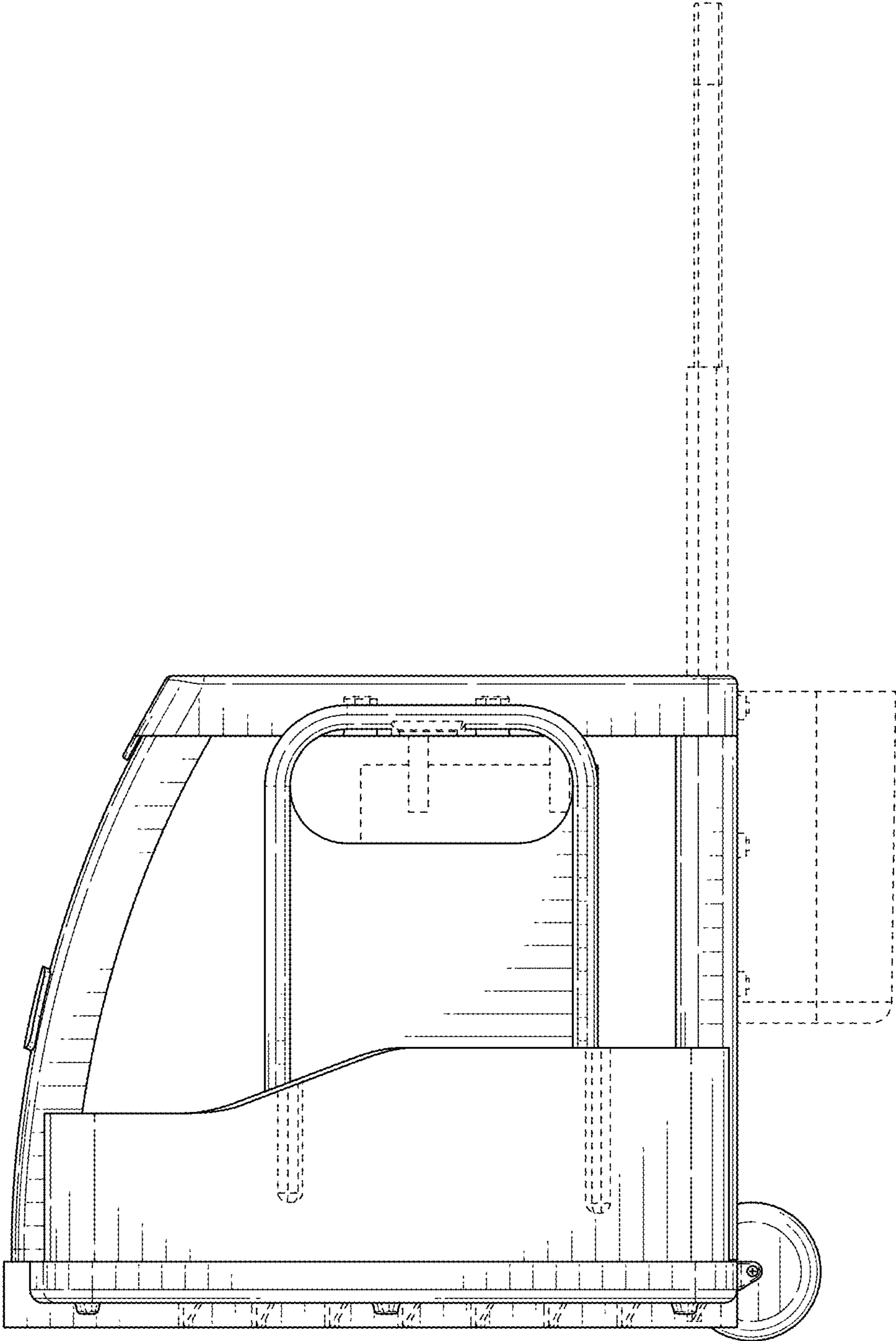


FIG. 5

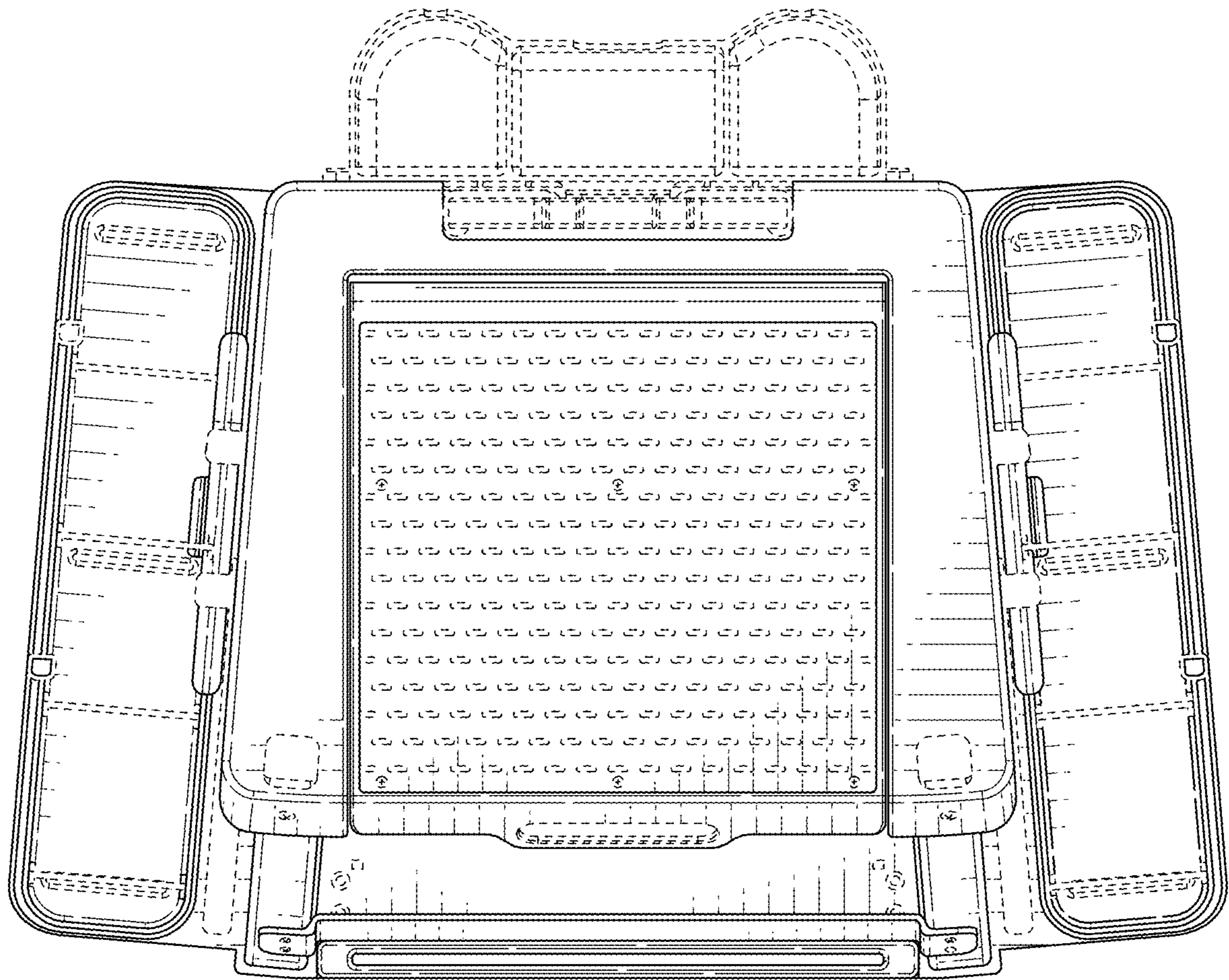


FIG. 6

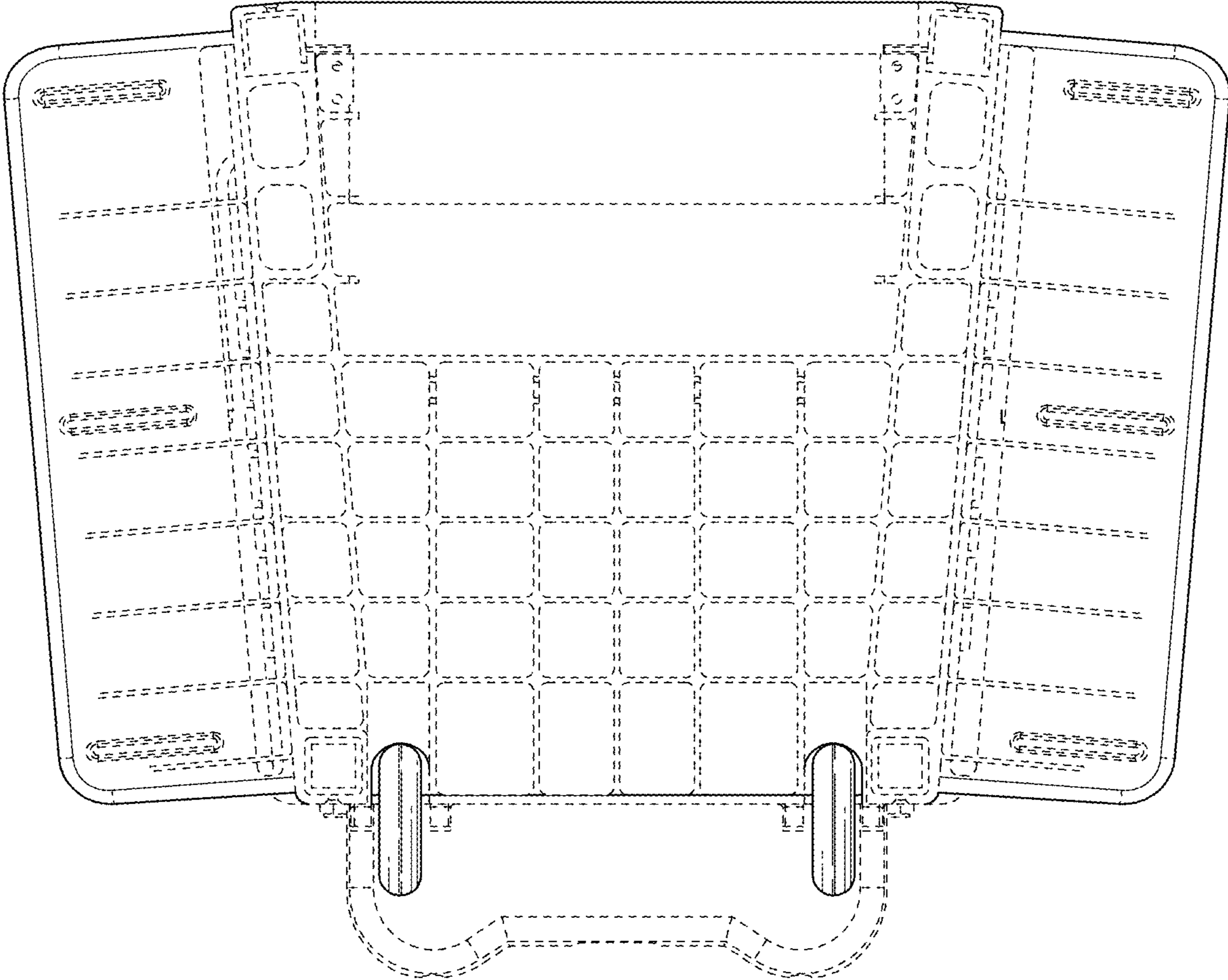


FIG. 7