



US00D909700S

(12) **United States Design Patent** (10) **Patent No.:** **US D909,700 S**  
**Ecklund et al.** (45) **Date of Patent:** **\*\* Feb. 2, 2021**

(54) **AIR PUMP CART**

(71) Applicant: **Sage Products, LLC**, Cary, IL (US)

(72) Inventors: **Brian J. Ecklund**, Lakemoor, IL (US);  
**David P. Beck**, Crystal Lake, IL (US)

(73) Assignee: **Sage Products, LLC**, Cary, IL (US)

(\*\*) Term: **15 Years**

(21) Appl. No.: **29/728,734**

(22) Filed: **Mar. 20, 2020**

**Related U.S. Application Data**

(63) Continuation of application No. 29/621,944, filed on Oct. 12, 2017, now Pat. No. Des. 879,401.

(51) **LOC (13) Cl.** ..... **12-02**

(52) **U.S. Cl.**  
USPC ..... **D34/12; D34/27**

(58) **Field of Classification Search**  
USPC ..... D34/12, 15, 17, 18, 24, 26, 27  
CPC ..... B62B 2501/067; B62B 2202/404; B62B 2202/406; B62B 3/022; B62B 3/02; B62B 3/12; B62B 3/102; B62B 1/12; B62B 7/145; B62B 7/142; B62B 7/062  
See application file for complete search history.

(56) **References Cited**

**U.S. PATENT DOCUMENTS**

D500,575 S *	1/2005	Lucas	.....	D34/12
D668,829 S *	10/2012	Ono	.....	D34/12
D669,651 S *	10/2012	Ono	.....	D34/12
D715,511 S	10/2014	Okwumabua		
D732,258 S *	6/2015	Garcia	.....	D34/12
D844,276 S *	3/2019	Schlenker	.....	D34/12

D879,401 S *	3/2020	Ecklund	.....	D34/12
2006/0053579 A1 *	3/2006	Bruno	.....	A47L 13/51
				15/257.01
2015/0227127 A1 *	8/2015	Miller	.....	G16H 20/13
				700/244

**OTHER PUBLICATIONS**

U.S. Appl. No. 29/607,897, filed Jun. 16, 2017, Sage Products, LLC. Modo, Inc., Flo Medical Stand taken from Industrial Designers Society of America website: <http://www.idsa.org/awards/idea/environments/flo>, available at least as early as Oct. 12, 2017, 2 pages.

\* cited by examiner

*Primary Examiner* — Cynthia Ramirez

(74) *Attorney, Agent, or Firm* — Foley & Lardner LLP

(57) **CLAIM**

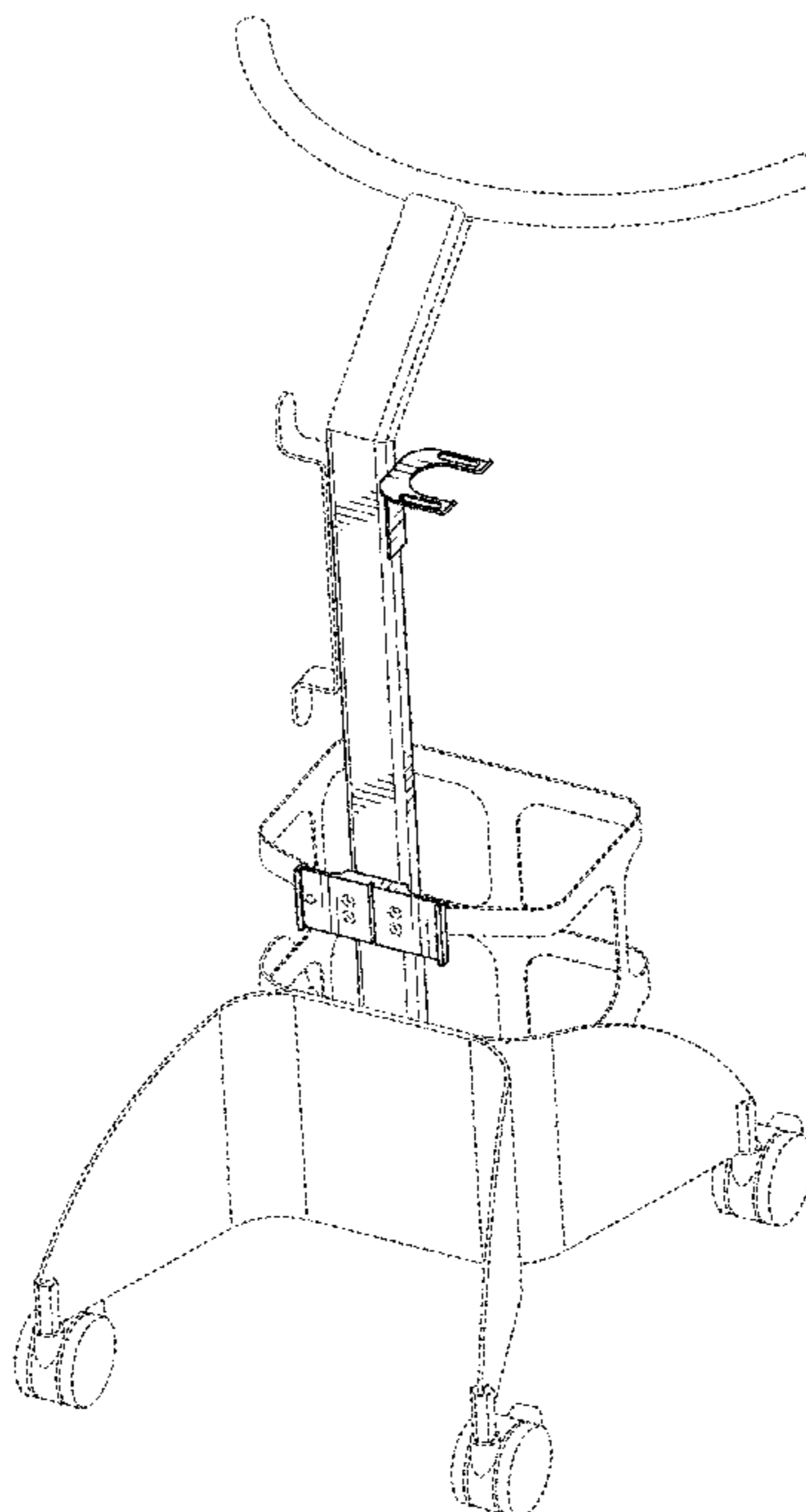
We claim the ornamental design for an air pump cart, as shown and described.

**DESCRIPTION**

FIG. 1 is a front perspective view showing our new design; FIG. 2 is a front view thereof; FIG. 3 is a rear view thereof; FIG. 4 is a left side view thereof; FIG. 5 is a right side view thereof; FIG. 6 is a top view thereof; and, FIG. 7 is a bottom view thereof.

The equal length broken lines in the figures show portions of the air pump cart, which form no part of the darned design. The dash-dot broken lines define bounds of the claimed design and form no part of the claimed design.

**1 Claim, 7 Drawing Sheets**



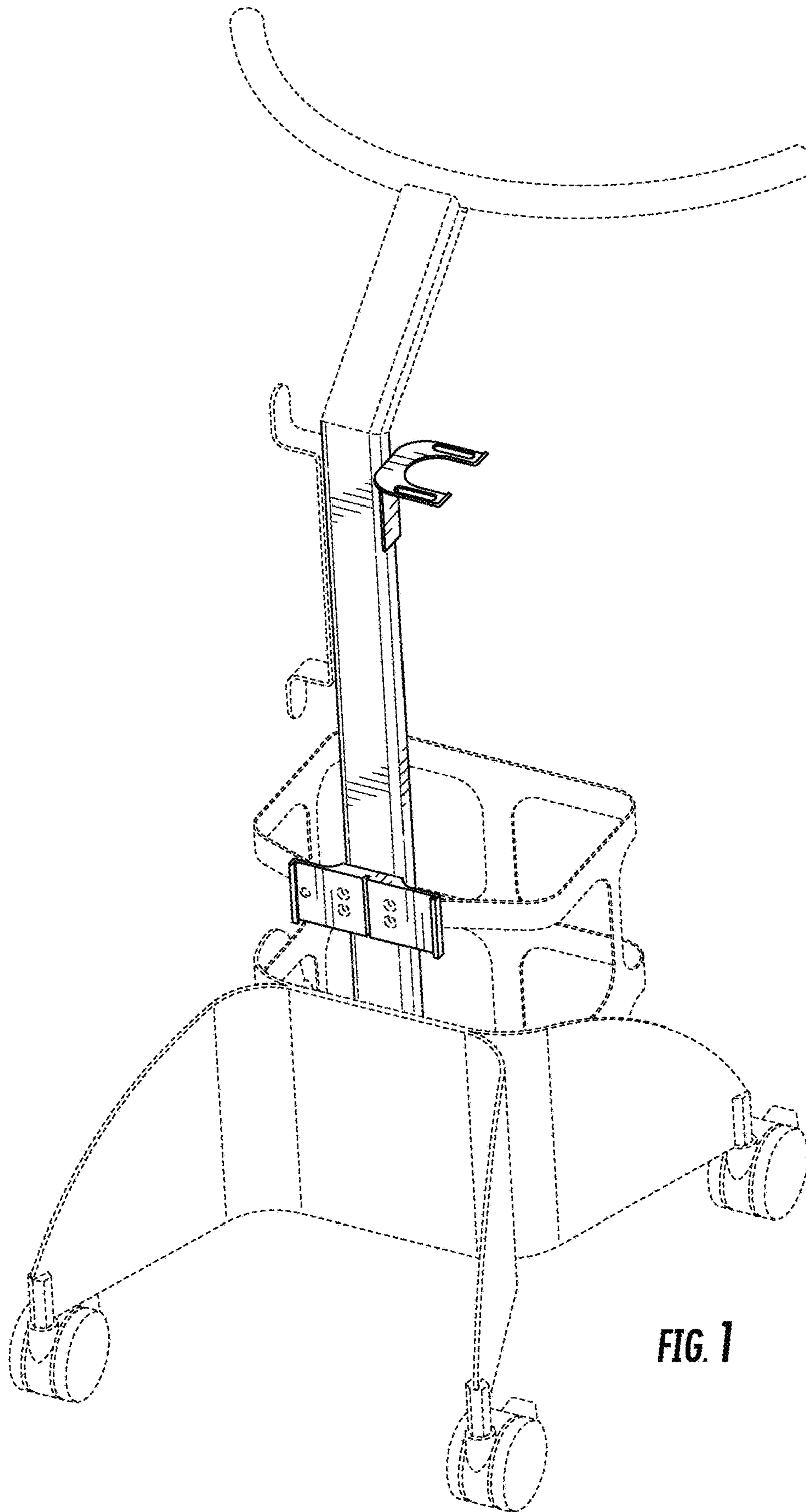


FIG. 1

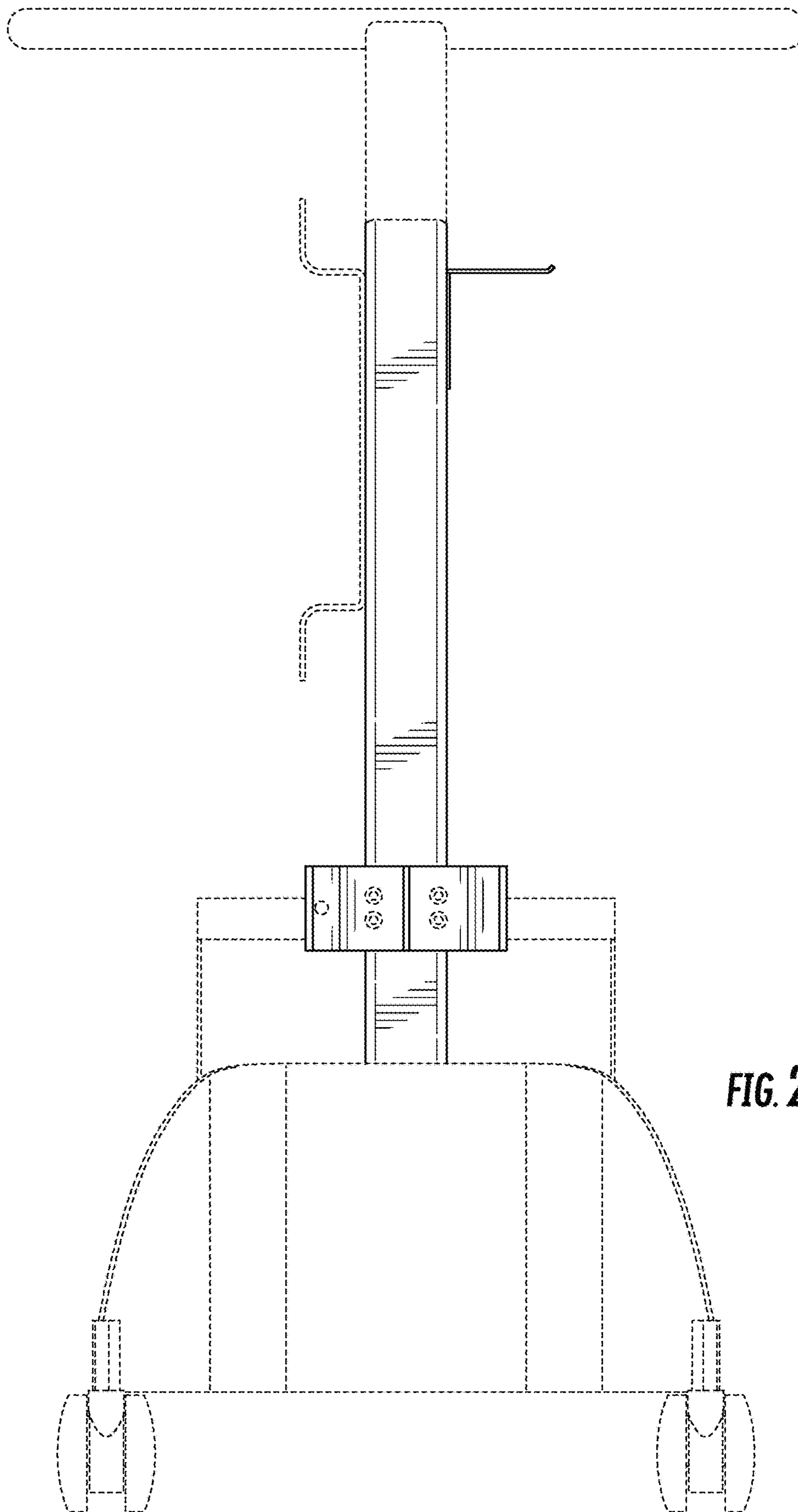
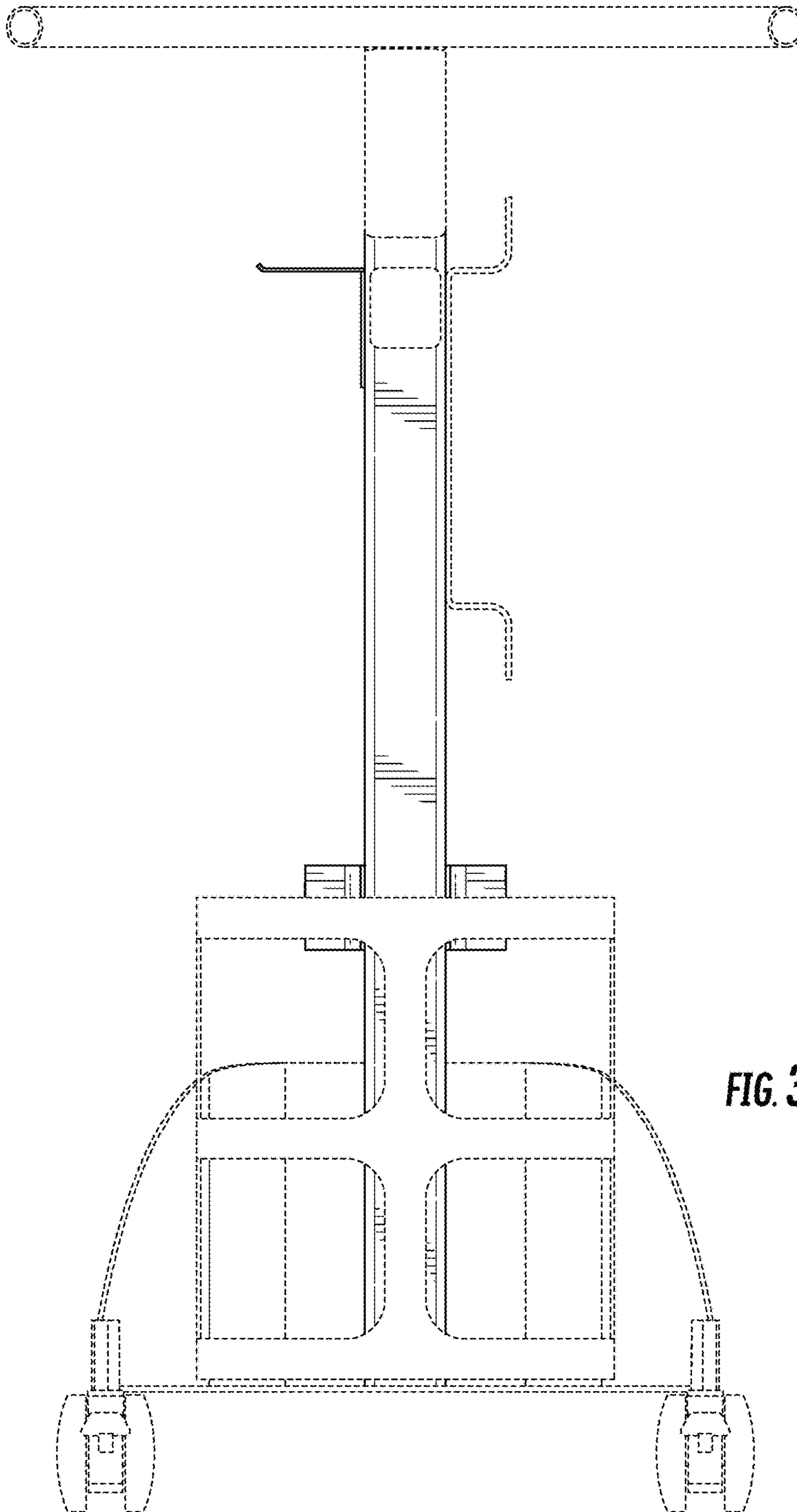


FIG. 2



**FIG. 3**

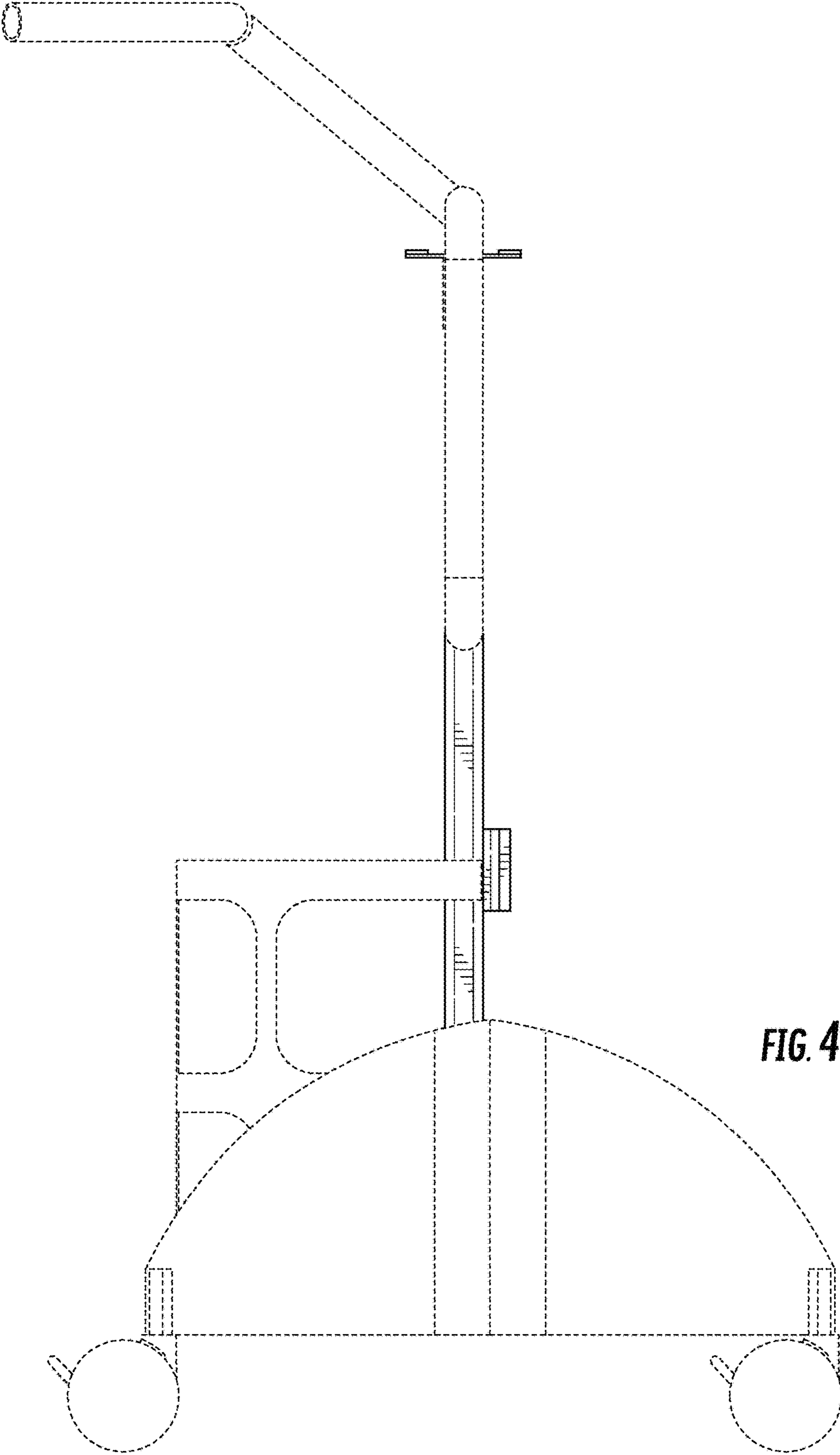


FIG. 4

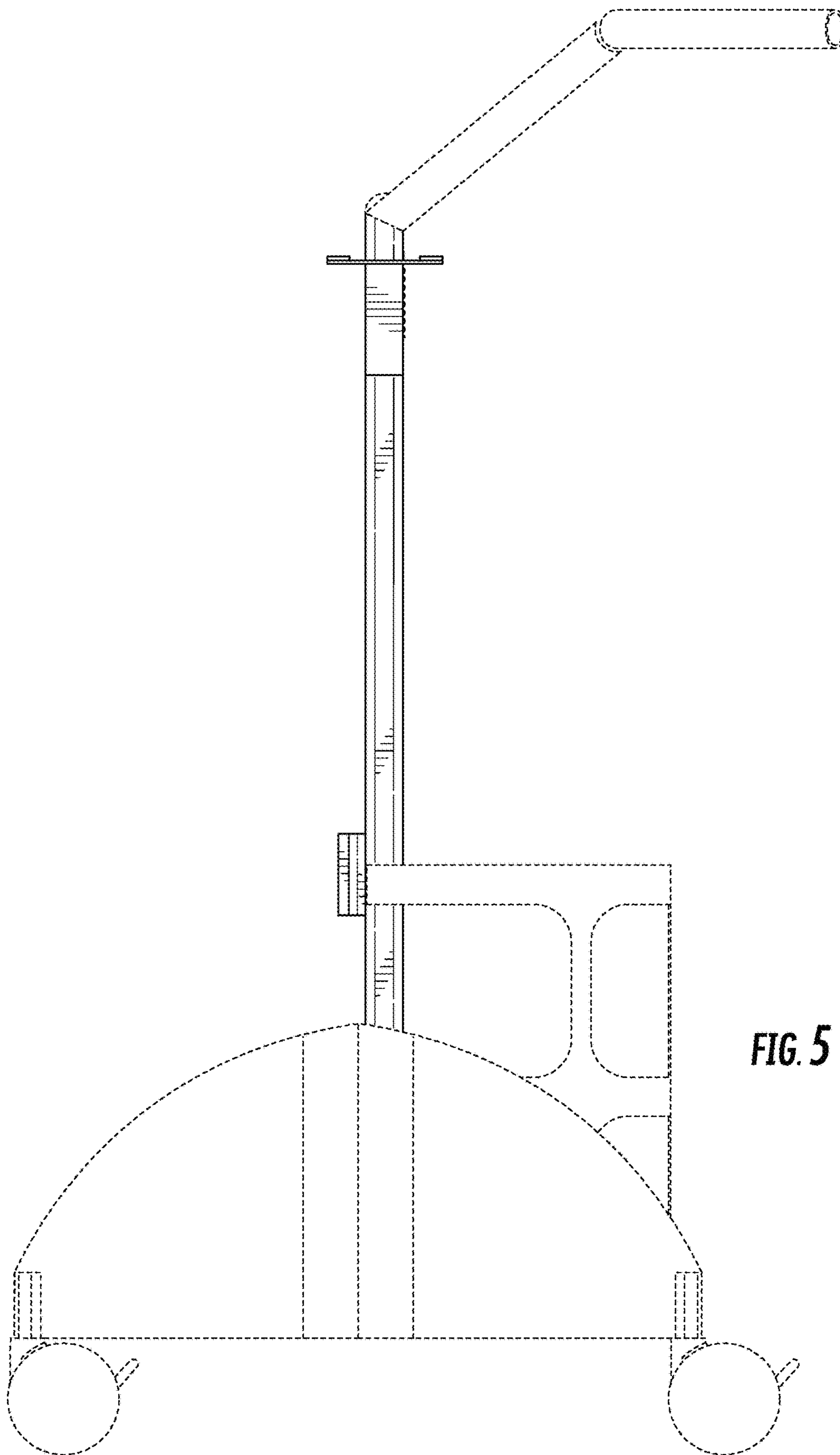
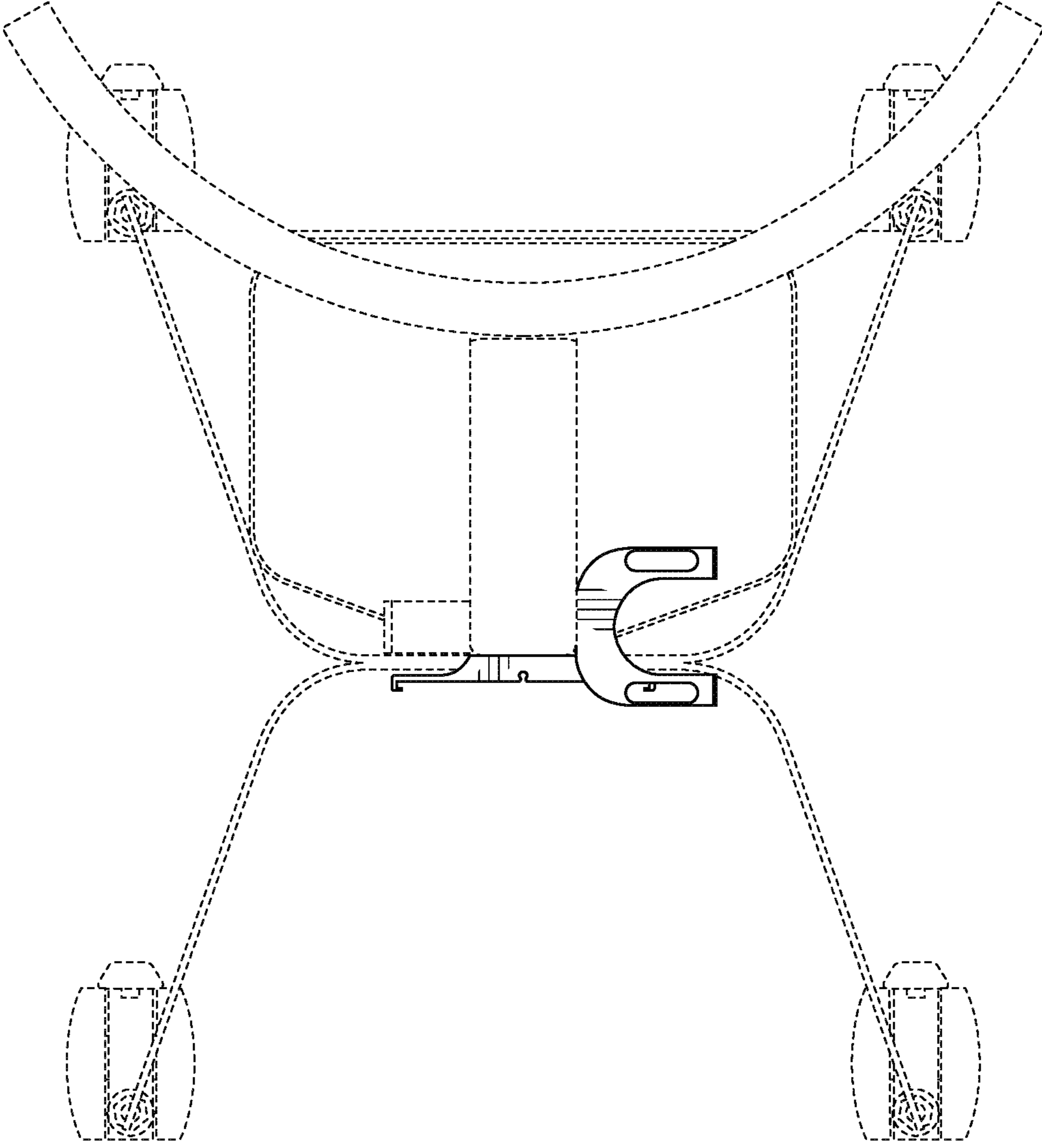
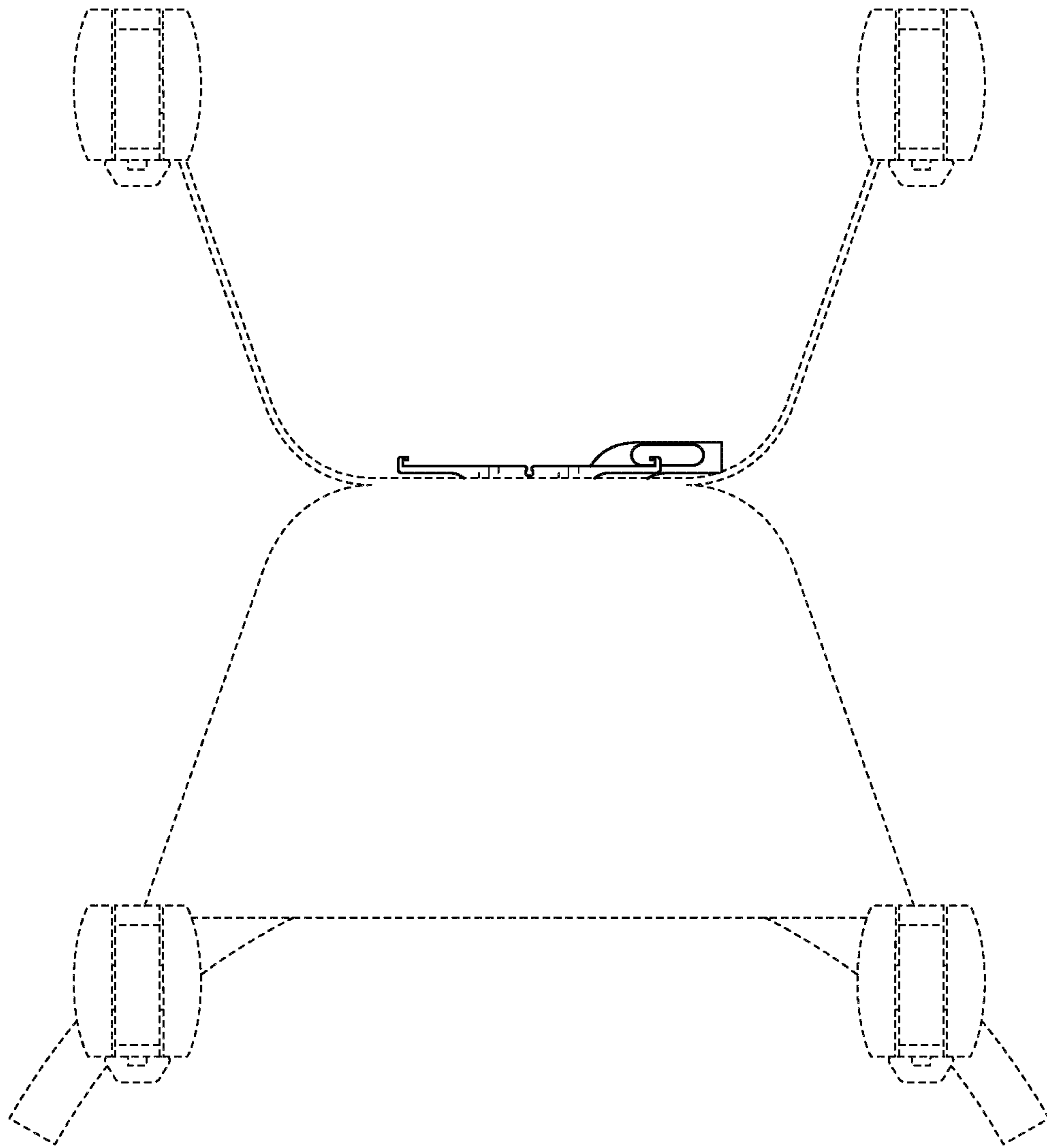


FIG. 5



**FIG. 6**



**FIG. 7**