



US00D909697S

(12) **United States Design Patent** (10) **Patent No.:** **US D909,697 S**
Jung (45) **Date of Patent:** **** Feb. 2, 2021**

(54) **COMBINED HANGER AND ICE SCRAPER**

FOREIGN PATENT DOCUMENTS

(71) Applicant: **Yong B. Jung**, Vernon, CA (US)

CN 303899230 * 10/2016

(72) Inventor: **Yong B. Jung**, Vernon, CA (US)

OTHER PUBLICATIONS

(**) Term: **15 Years**

Southwest Solutions website, Autoparts storage rack, website 2019, site visited Jan. 31, 2019, <http://www.southwestsolutions.com/image/auto-parts-shelving-tire-racks-battery-bumper-muffler-floor-mat-storage-systems>.*

(21) Appl. No.: **29/622,146**

(22) Filed: **Oct. 13, 2017**

(51) **LOC (13) Cl.** **07-05**

Primary Examiner — John R Yeh

(52) **U.S. Cl.**

(74) *Attorney, Agent, or Firm* — Anh IP Law

USPC **D32/46**

(57) **CLAIM**

(58) **Field of Classification Search**

The ornamental design for a combined hanger and ice scraper, as shown and described.

USPC D32/40-43, 45-46; D4/118

CPC B08B 1/00

See application file for complete search history.

DESCRIPTION

(56) **References Cited**

A portion of the disclosure of this patent document contains material which is subject to copyright and trademark protection. This patent document shows the copyrighted logo depicting a cloud and snowflake and the trademark snow scraper owned by the Applicant. The Applicant has no objection to the facsimile reproduction by anyone of the patent disclosure as it appears in the Patent and Trademark Office patent files or records, but otherwise reserves all copyright and trademark rights whatsoever.

U.S. PATENT DOCUMENTS

2,157,314	A *	5/1939	Anderson	A47L 1/15
					15/121
2,980,457	A *	4/1961	Page	B25G 1/02
					15/143.1
D285,736	S *	9/1986	Seely	D32/41
D342,834	S *	1/1994	Lorenzana	D6/315
D388,568	S *	12/1997	Leonard	D32/41
D394,923	S *	6/1998	Hellinger	D32/46
D441,198	S *	5/2001	Primeau	D32/42
D453,075	S *	1/2002	Liu	D32/42
D454,481	S *	3/2002	DeLine	D8/373
D480,566	S *	10/2003	Neathery	D6/328
D520,203	S *	5/2006	Hardy	D32/41
D636,189	S *	4/2011	Dickinson	G09F 3/06
					D6/315
D695,477	S *	12/2013	Patterson	D32/40
D701,361	S *	3/2014	Harris	D32/40
D757,454	S *	5/2016	Alesi	D6/315
D763,964	S *	8/2016	Ting	D20/40
D770,783	S *	11/2016	Stroud	D6/327
D776,947	S *	1/2017	Breeden, III	D6/315

(Continued)

FIG. 1 is a front view of a combined hanger and ice scraper showing my new design;

FIG. 2 is a front and bottom perspective view thereof;

FIG. 3 is a front view thereof, shown in an environment of use;

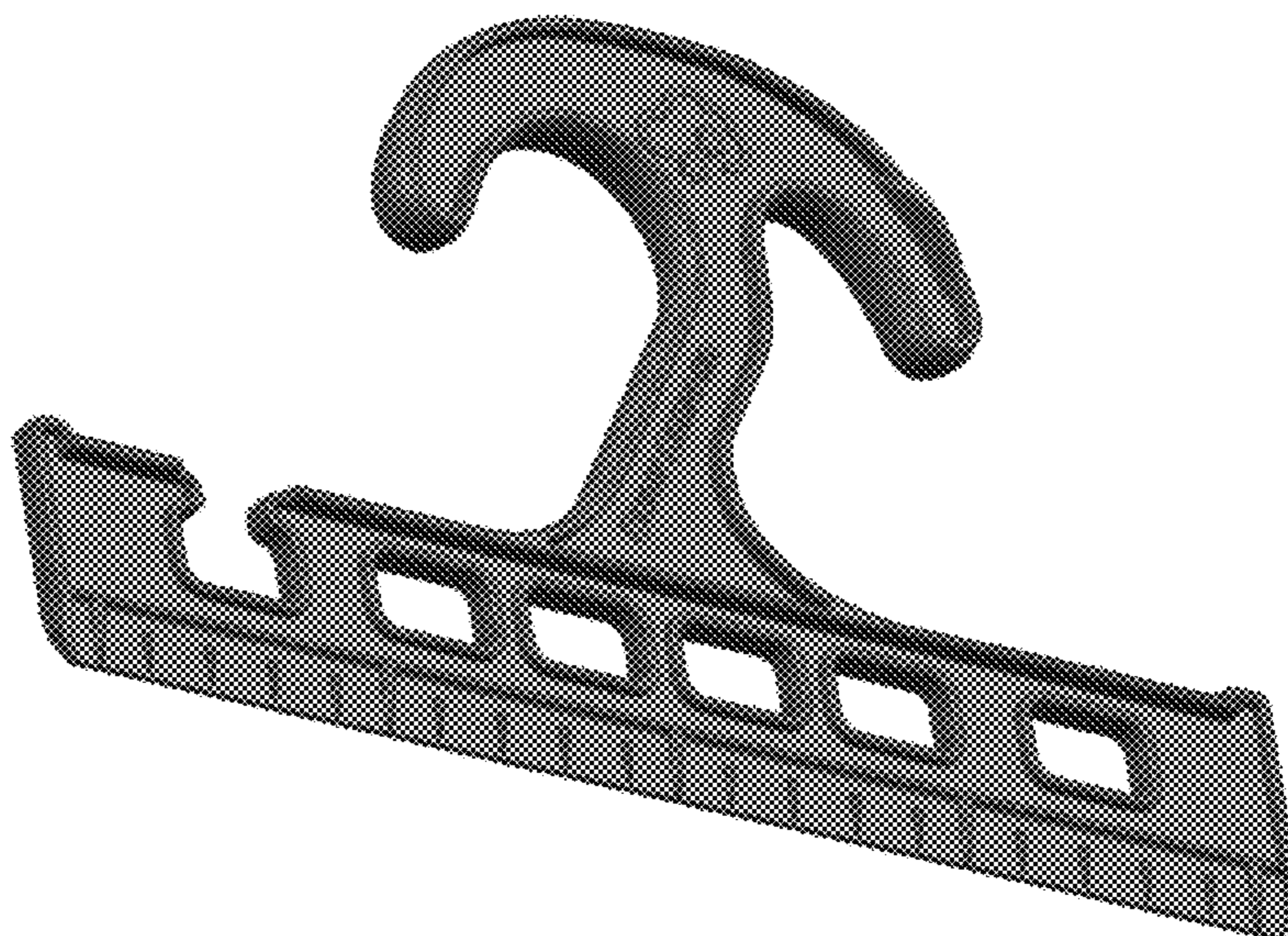
FIG. 4 is a front perspective view thereof;

FIG. 5 is a perspective, sectional view of the combined hanger and ice scraper taken in the direction of line 5-5 of FIG. 1; and,

FIG. 6 is a ride side view thereof.

The broken lines in the drawings depict environmental structure and forms no part of the claimed design.

1 Claim, 3 Drawing Sheets



(56)

References Cited

U.S. PATENT DOCUMENTS

D785,338 S * 5/2017 Henningsen D32/43
D815,852 S * 4/2018 Carr D6/513
2006/0010635 A1* 1/2006 Varner A47L 1/06
15/245
2006/0249549 A1* 11/2006 Giampavolo A47G 25/1457
223/85
2013/0340259 A1* 12/2013 Huang A47F 7/16
30/123

* cited by examiner

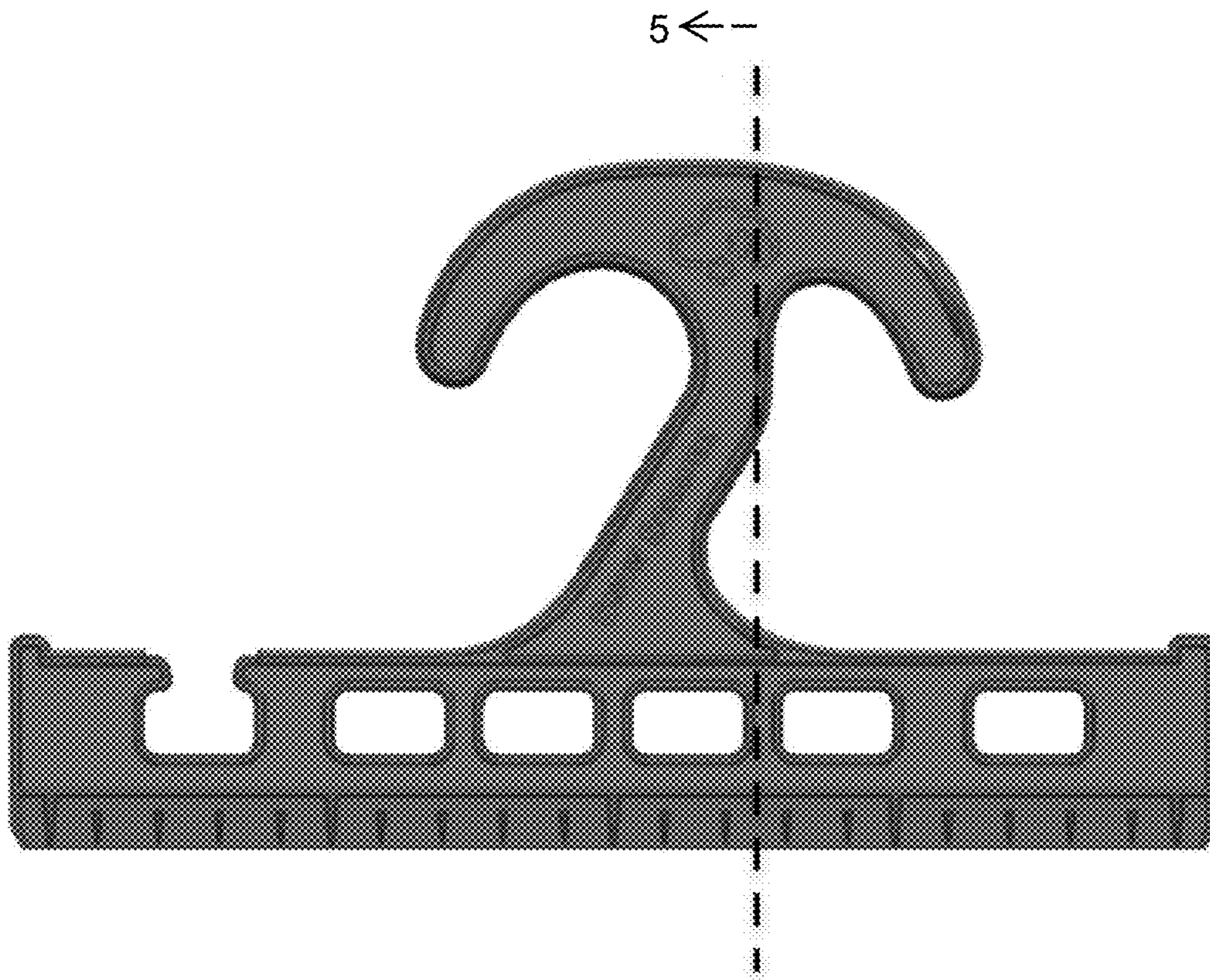


FIG. 1

5 ←

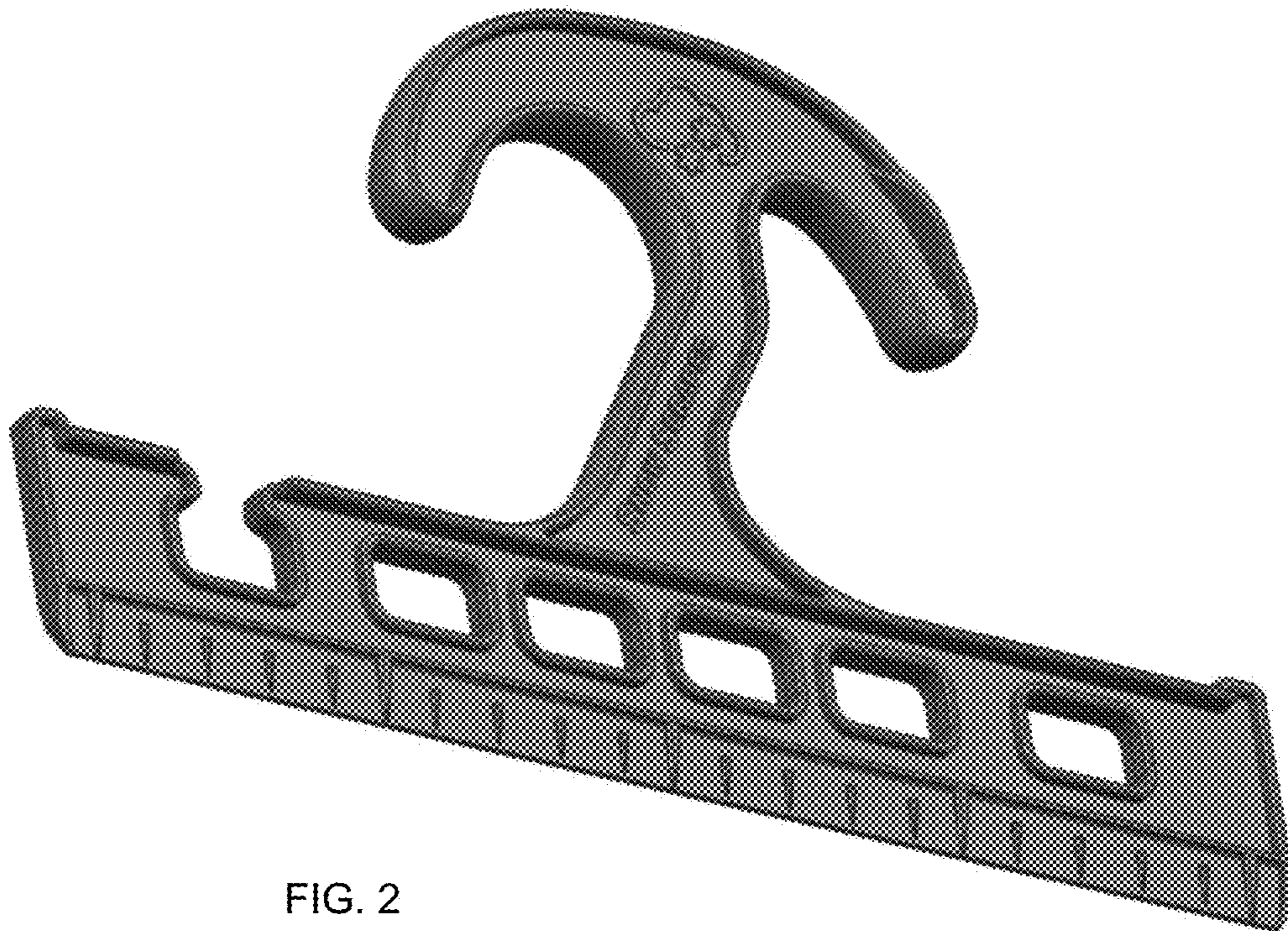


FIG. 2

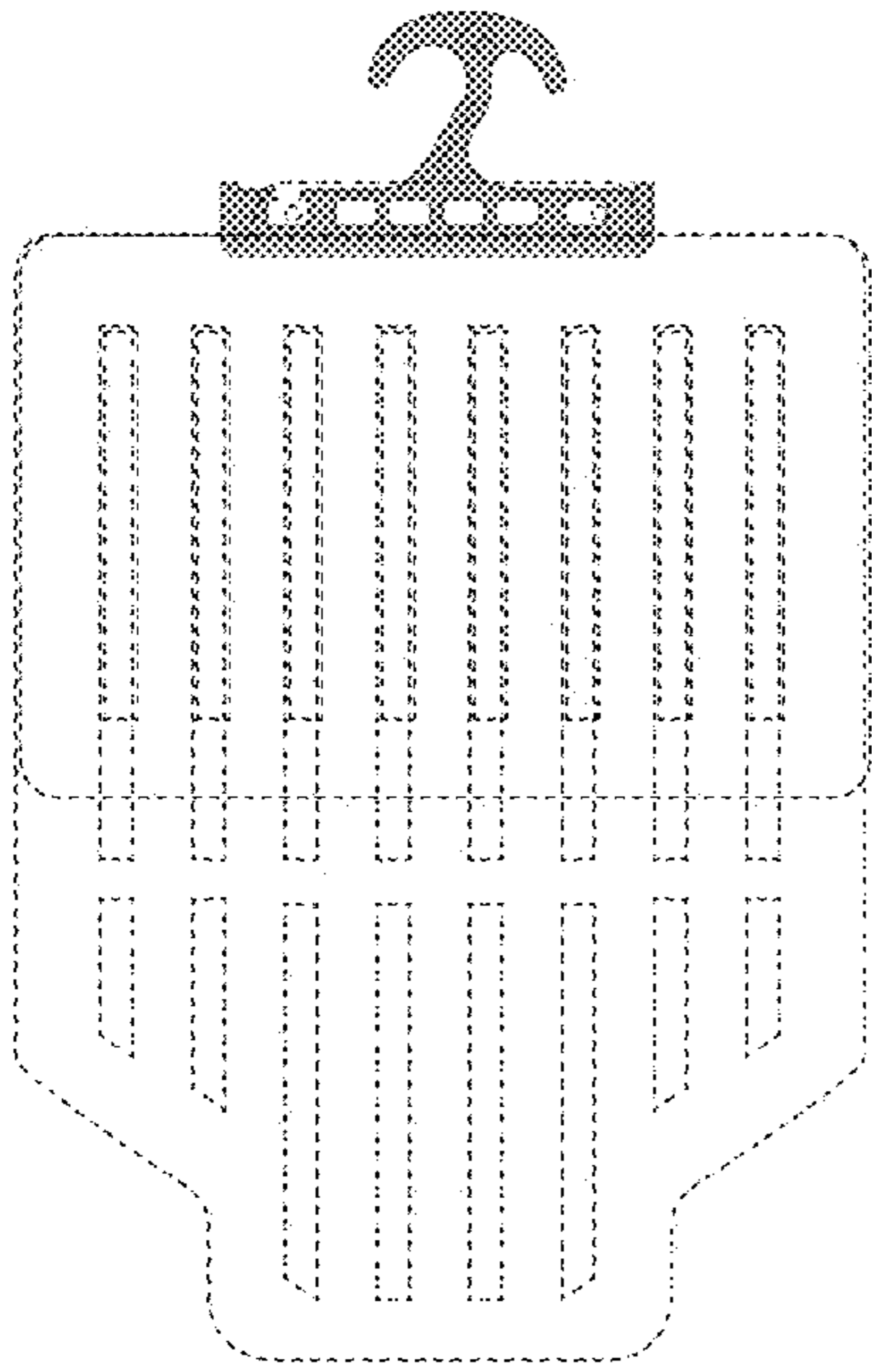


FIG. 3

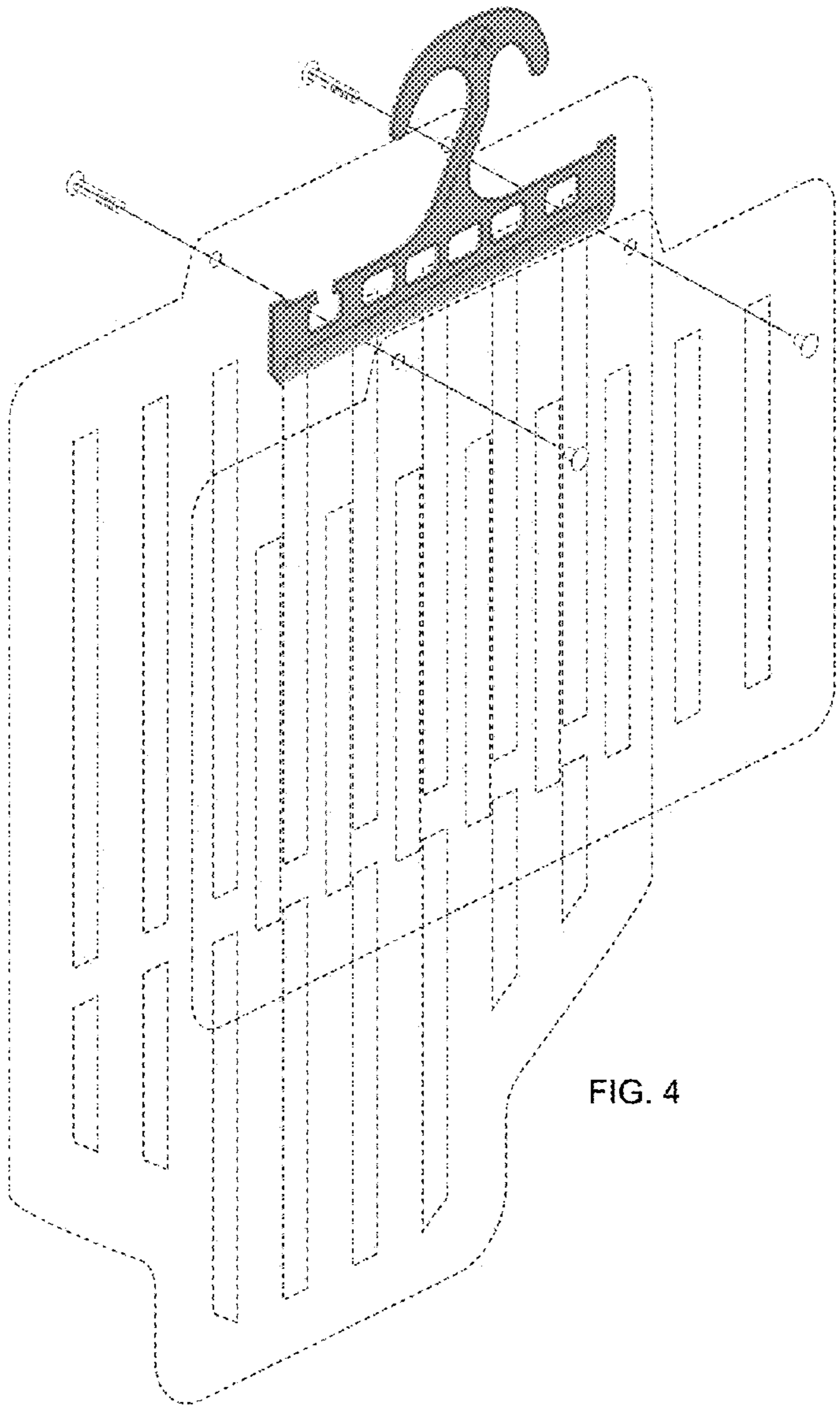


FIG. 4

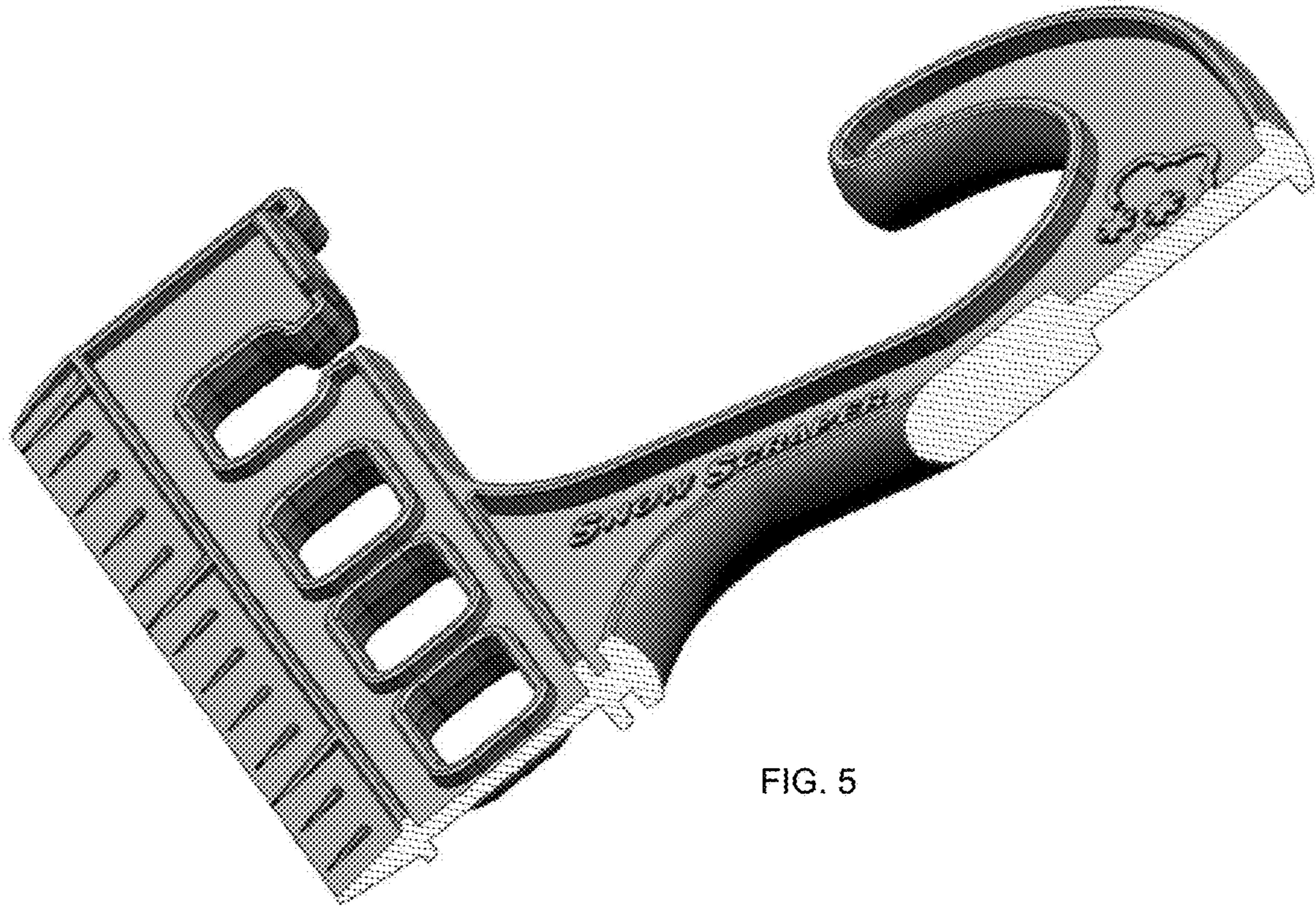


FIG. 5

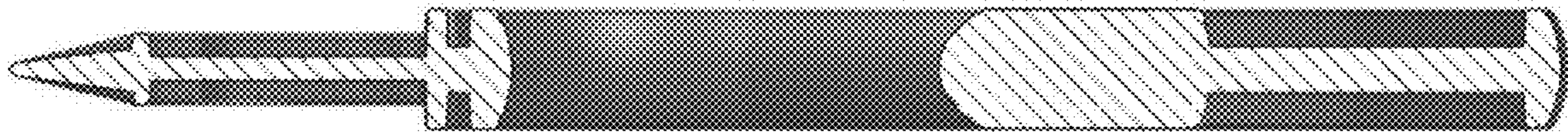


FIG. 6