



US00D909690S

(12) **United States Design Patent** (10) **Patent No.:** **US D909,690 S**
Renforth et al. (45) **Date of Patent:** **** Feb. 2, 2021**

(54) **PET TOY ACCESSORY**

A63B 2071/0602; A63B 21/0055; A63B 2207/02; A63B 2225/54; A63B 69/0053; A63B 2047/043

(71) Applicant: **Doskocil Manufacturing Company, Inc.**, Arlington, TX (US)

See application file for complete search history.

(72) Inventors: **Jack Renforth**, Azle, TX (US);
Nicholas Baker, Fort Worth, TX (US)

(56) **References Cited**

(73) Assignee: **DOSKOCIL MANUFACTURING COMPANY, INC.**, Arlington, TX (US)

U.S. PATENT DOCUMENTS

(**) Term: **15 Years**

1,385,642 A *	7/1921	Restein	A63B 15/00 482/108
D95,215 S *	4/1935	Barone et al.	D1/102
2,036,706 A *	4/1936	Law	A23G 9/503 426/85
2,826,861 A *	3/1958	Hoffstadt	A63F 7/382 446/247
2,962,820 A *	12/1960	Petersen	G09B 23/26 434/278

(21) Appl. No.: **29/641,116**

(22) Filed: **Mar. 20, 2018**

(Continued)

(51) **LOC (13) Cl.** **30-99**

(52) **U.S. Cl.**
USPC **D30/160**

Primary Examiner — Aula Soroush

(58) **Field of Classification Search**

USPC D21/398, 400, 402, 412, 415, 426, 436,
D21/439, 440, 441, 443, 455, 460-462,
D21/466-468, 479, 495, 563, 656, 712,
D21/713, 788, 799.1, 470, 681; D24/211,
D24/214, 215, 193-195; D30/160, 112,
D30/119; D1/125-127; D11/86-87, 200,
D11/214-215; D8/394-396; D28/39-40

CPC A63H 5/00; A63H 33/26; A63H 33/18;
A63H 29/22; A63H 29/24; A63H
2200/00; A63H 11/00; A63H 13/00;
A63H 18/02; A63H 18/14; A63H 18/16;
A63H 29/00; A63H 33/009; A63H 33/22;
A63H 33/3055; A63H 3/003; A63H
3/006; A63H 3/008; A63H 3/24; A63H
3/28; A63H 3/31; A63H 3/36; A63H
9/00; A63B 59/20; A63B 69/406; A63B
47/04; A63B 2220/51; A63B 2220/53;
A63B 2220/56; A63B 2220/805; A63B
2071/0625; A63B 2071/063; A63B
2220/17; A63B 2220/18; A63B 2220/40;
A63B 2220/803; A63B 2220/833; A63B
43/004; A63B 43/06; A63B 71/0622;

(74) *Attorney, Agent, or Firm* — Global IP Counselors, LLP

(57) **CLAIM**

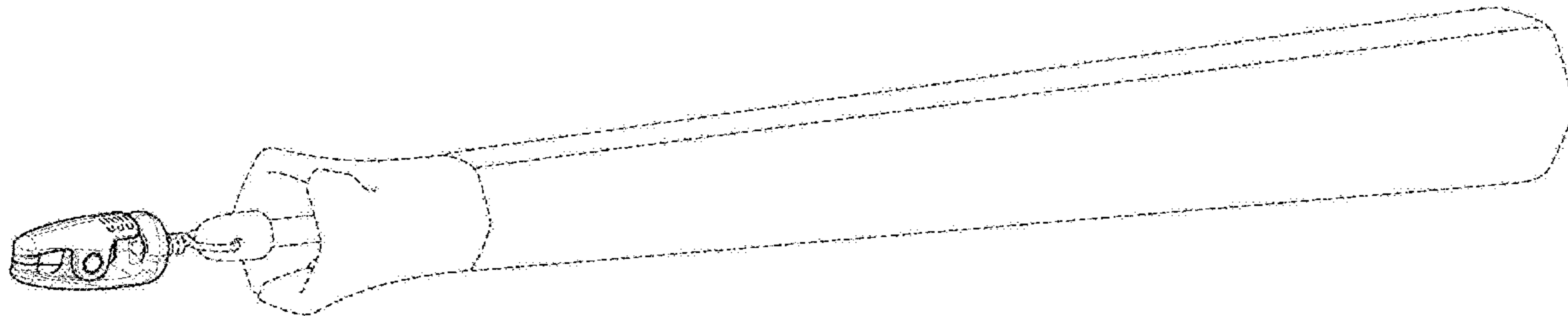
The ornamental design for a pet toy accessory, as shown and described.

DESCRIPTION

FIG. 1 is a top perspective view of an embodiment of a pet toy accessory in accordance with our new design;
FIG. 2 is another top perspective view thereof;
FIG. 3 is a left side view thereof;
FIG. 4 is a right side view thereof;
FIG. 5 is a top view thereof;
FIG. 6 is a bottom view thereof;
FIG. 7 is a front view thereof; and,
FIG. 8 is a back view thereof.

The broken lines in the drawings illustrate portions of the pet accessory toy that form no part of the claimed design.
The contour lines depict illustration only and form no part of the claimed design.

1 Claim, 7 Drawing Sheets



(56)

References Cited

U.S. PATENT DOCUMENTS

3,069,804 A * 12/1962 Cirafesi A63B 67/086
446/266
3,104,648 A * 9/1963 Fisher A01K 15/026
119/711
3,475,023 A * 10/1969 Fauvelle A63B 5/20
482/82
3,942,790 A * 3/1976 Rice A63B 21/012
482/91
4,309,038 A * 1/1982 Spoon A63B 65/00
273/146
D272,649 S * 2/1984 Bloch D21/662
4,617,001 A * 10/1986 Parein A63H 33/105
446/102
D298,871 S * 12/1988 Killen 119/707
4,928,977 A * 5/1990 Chambers A63B 67/086
473/569
D308,297 S * 6/1990 Romano D22/117
5,191,856 A * 3/1993 Gordon A01K 15/025
119/711
D359,996 S * 7/1995 Barzani D21/498
D374,519 S * 10/1996 Ruble D30/160
5,769,681 A * 6/1998 Greenwood, Sr. ... A63H 33/062
446/120
5,788,590 A * 8/1998 Ervin A63B 67/086
446/240
D408,948 S * 4/1999 Huettner D30/160
D415,803 S * 10/1999 Cousins D21/678
D427,391 S * 6/2000 Gill D30/160
6,092,489 A * 7/2000 Huettner A01K 15/026
119/707
6,112,703 A * 9/2000 Handelsman A01K 15/026
119/707
D538,359 S * 3/2007 Yordinsky D21/681
D549,058 S * 8/2007 Shibata D8/14

D587,411 S * 2/2009 Rezny D30/160
D632,432 S * 2/2011 Holloway D28/40
D655,057 S * 2/2012 Blair D1/199
D655,058 S * 2/2012 Blair D1/199
D661,458 S * 6/2012 Mingyun D1/102
D709,562 S * 7/2014 Baumann D21/398
D723,643 S * 3/2015 Senseman A63C 17/0013
D21/775
D724,751 S * 3/2015 Huang D24/214
D742,211 S * 11/2015 Whaley D8/396
D742,354 S * 11/2015 McNamara D14/205
D744,175 S * 11/2015 Byrne D30/160
D781,525 S * 3/2017 Kreamer D1/102
D796,125 S * 8/2017 Gibson D30/160
D832,655 S * 11/2018 Breit D7/620
D832,944 S * 11/2018 Johnson D21/698
10,292,366 B2 * 5/2019 Stone A01K 15/025
D861,533 S * 10/2019 Elesmore D11/215
D866,785 S * 11/2019 Tarashchansky D24/215
D881,684 S * 4/2020 Yoshikawa D8/395
D883,138 S * 5/2020 Elesmore D11/215
2001/0029904 A1 * 10/2001 Viola A01K 15/025
119/707
2006/0030234 A1 * 2/2006 Stiber A63H 3/00
446/124
2006/0225666 A1 * 10/2006 Axelrod A01K 15/026
119/709
2010/0041300 A1 * 2/2010 Bevirt F16M 11/40
446/97
2011/0175338 A1 * 7/2011 Senseman A63C 17/0013
280/821
2012/0204809 A1 * 8/2012 Axelrod A01K 15/026
119/709
2014/0130750 A1 * 5/2014 Valle A01K 15/025
119/708
2016/0242391 A1 * 8/2016 Stone A01K 15/025

* cited by examiner

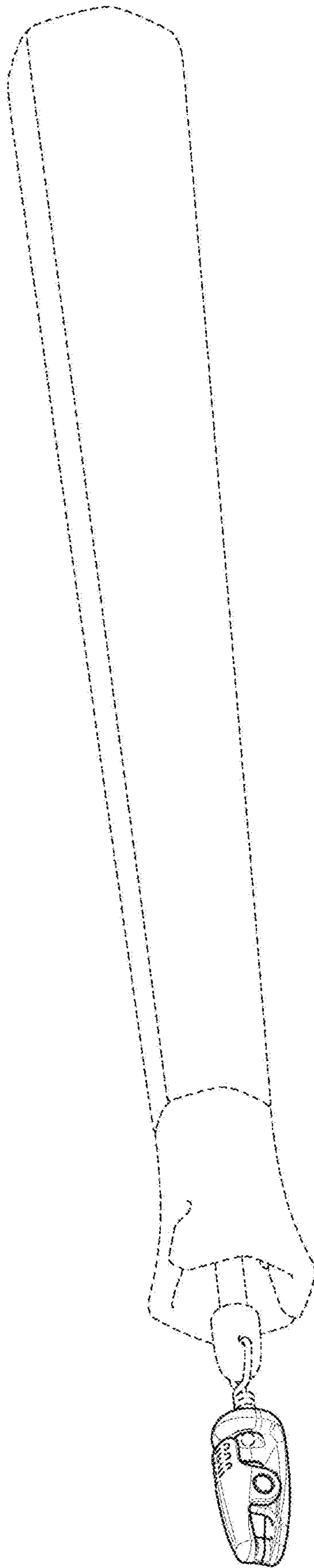


FIG. 1

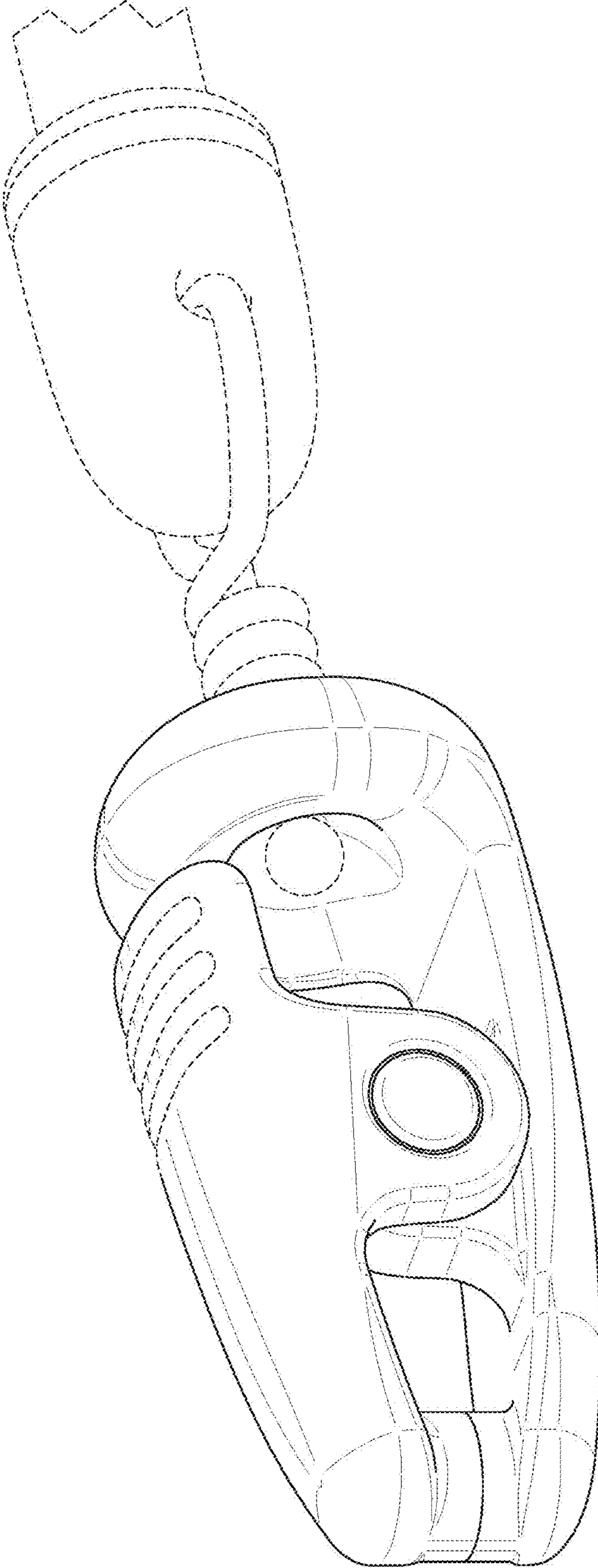


FIG. 2

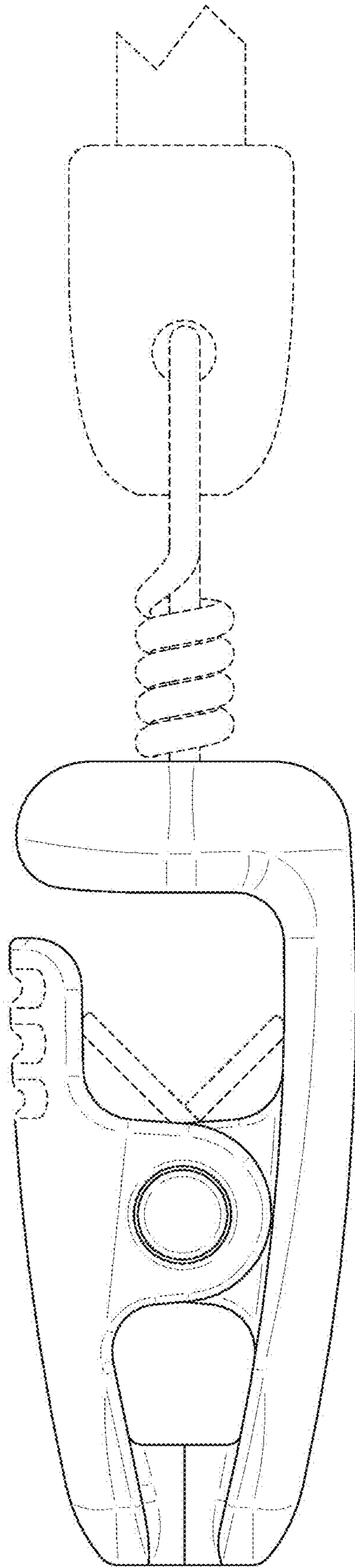


FIG. 3

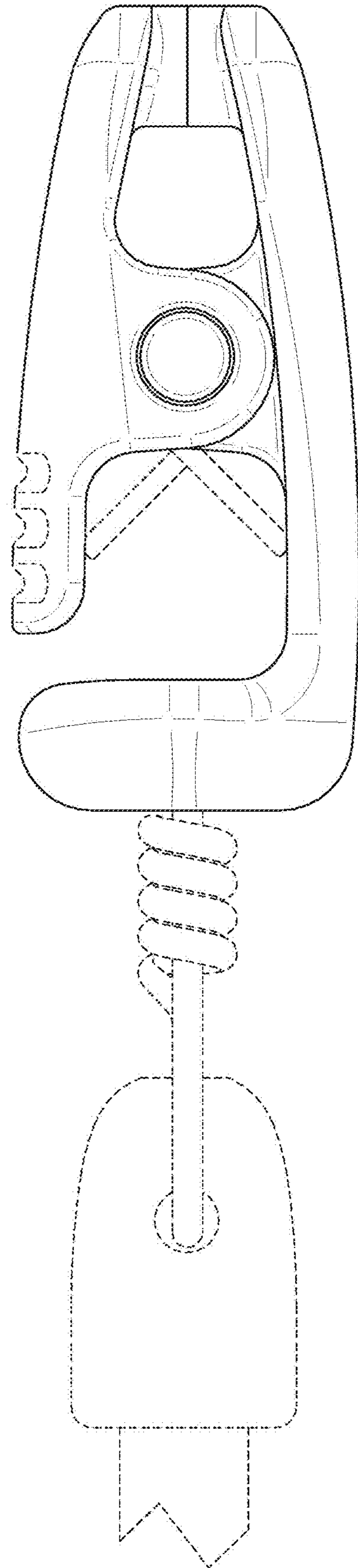


FIG. 4

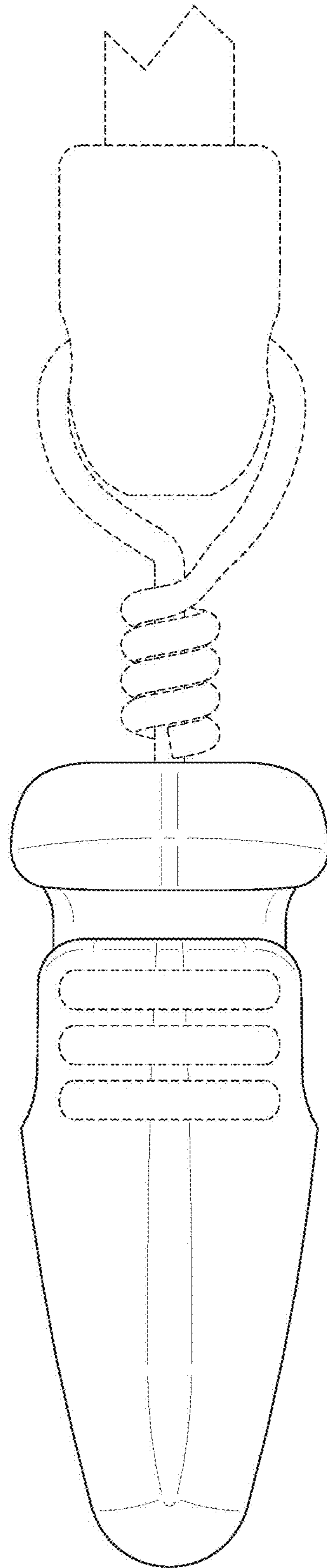


FIG. 5

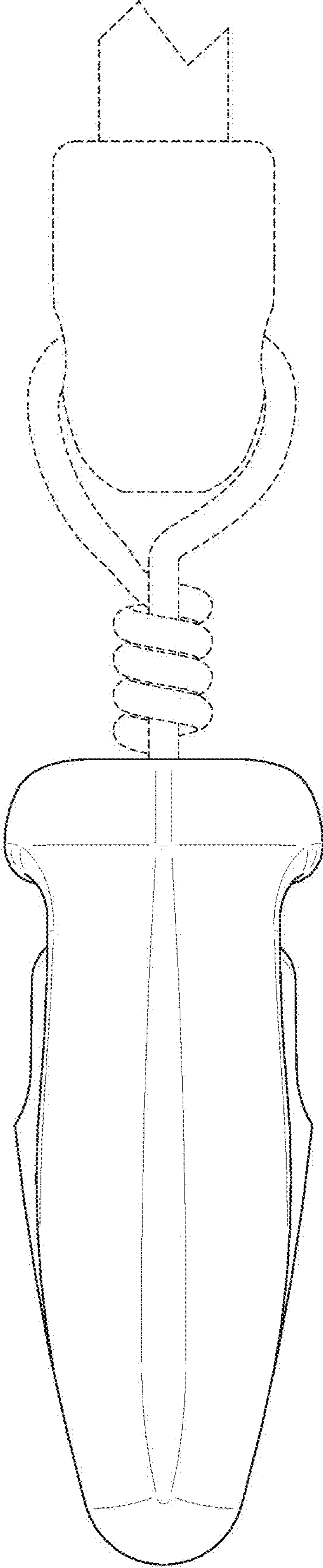


FIG. 6

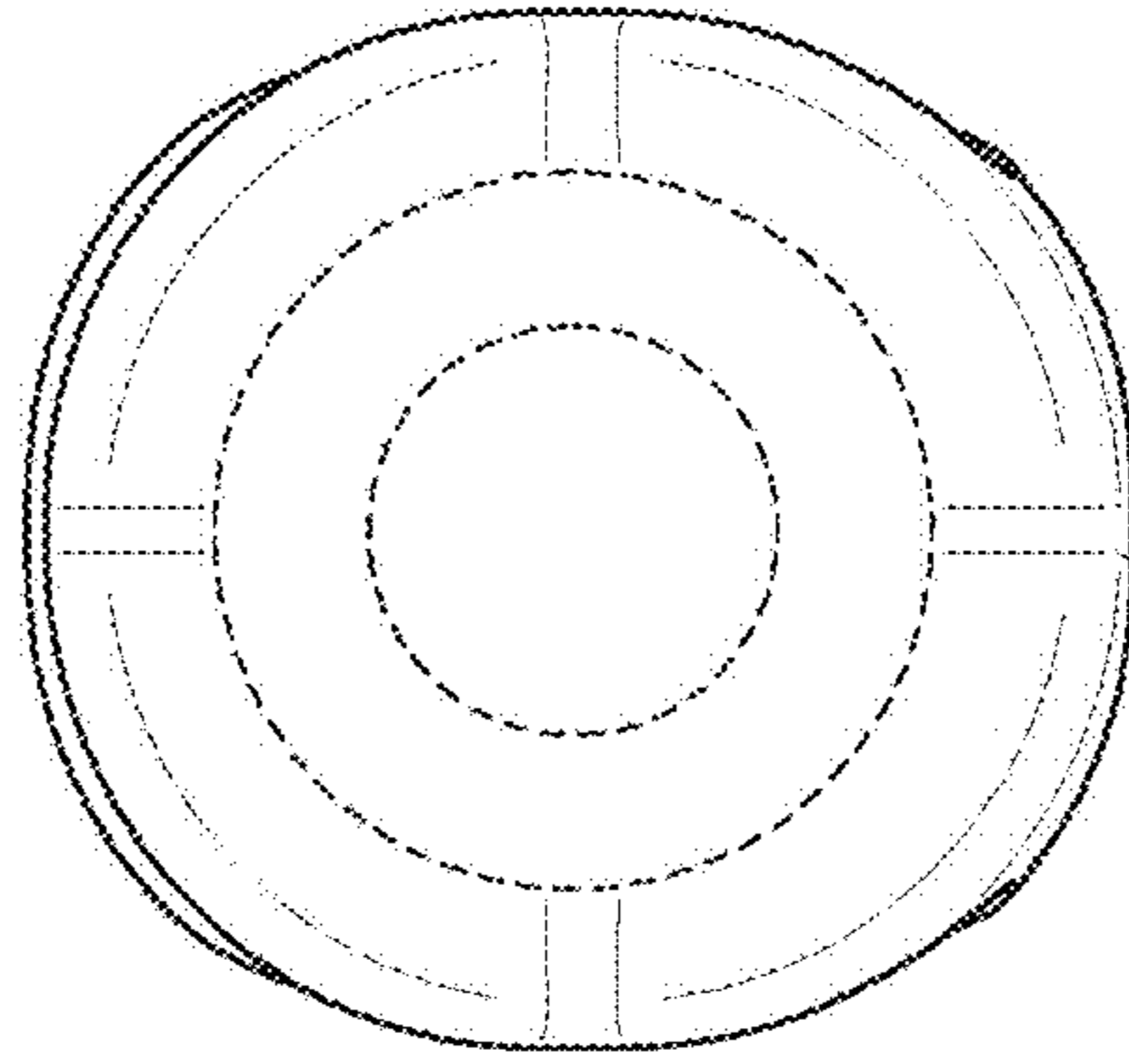


FIG. 8

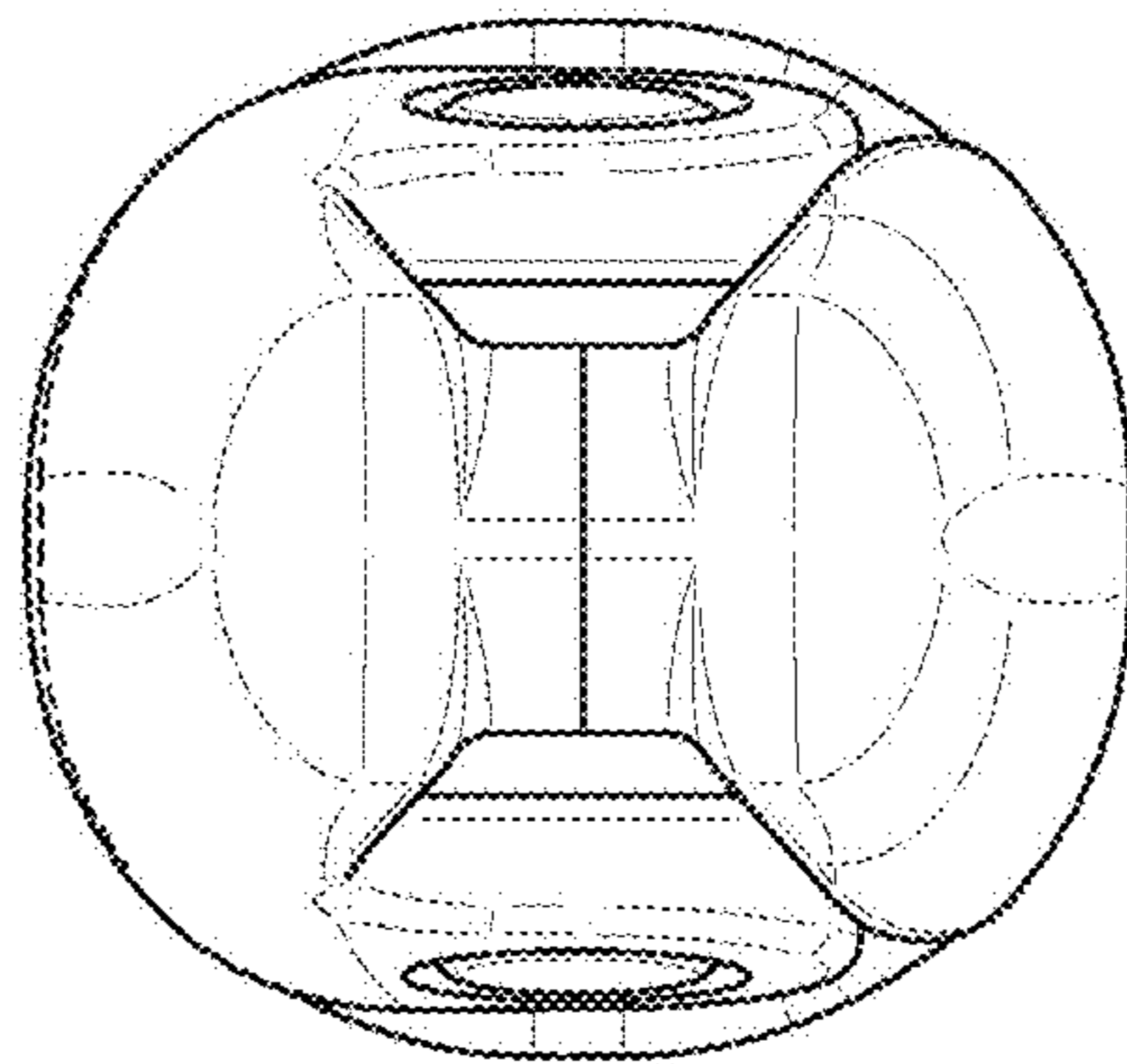


FIG. 7