



US00D909688S

(12) **United States Design Patent** (10) **Patent No.:** **US D909,688 S**  
**Kusnier** (45) **Date of Patent:** **\*\* Feb. 2, 2021**

(54) **VEST FOR PET**

(71) Applicant: **Mark A. Kusnier**, Walnut, CA (US)

(72) Inventor: **Mark A. Kusnier**, Walnut, CA (US)

(73) Assignee: **SILHO-LIGHT CORPORATION**,  
Walnut, CA (US)

(\*\*) Term: **15 Years**

(21) Appl. No.: **29/628,353**

(22) Filed: **Dec. 4, 2017**

(51) **LOC (13) Cl.** ..... **30-01**

(52) **U.S. Cl.**  
USPC ..... **D30/145**

(58) **Field of Classification Search**  
USPC ..... D30/144, 145, 151, 152, 154;  
D29/101.1, 101.3, 101.4; D2/718, 719,  
D2/860, 861  
CPC ..... A01K 13/006  
See application file for complete search history.

(56) **References Cited**

**U.S. PATENT DOCUMENTS**

2,831,306	A *	4/1958	Brenton	.....	A01K 13/006
					54/79.2
D363,572	S *	10/1995	Obenchain	.....	D30/145
D558,429	S *	1/2008	O'Connor-Cowley	.....	D2/861
D584,862	S *	1/2009	Kemper	.....	D30/145
D591,460	S *	4/2009	deCarvalho	.....	D30/145
D656,681	S *	3/2012	Reisler	.....	D29/101.4
9,370,166	B1 *	6/2016	Ford	.....	A01K 27/002
D802,854	S *	11/2017	Caruso	.....	D30/145
2008/0077214	A1 *	3/2008	Stalick	.....	A61D 9/00
					607/112
2009/0308330	A1 *	12/2009	Kajanoff	.....	A01K 13/006
					119/850
2010/0199507	A1 *	8/2010	Gonzalez	.....	A01K 13/006
					33/511
2014/0355256	A1 *	12/2014	Curtis	.....	A01K 13/006
					362/108
2015/0313182	A1 *	11/2015	Overman	.....	F21V 23/0407
					119/850

**OTHER PUBLICATIONS**

“Nobby Safety Vest w/ LED”. Found online Aug. 20, 2019 at amazon.co.uk. Page dated Jul. 29, 2015. Retrieved from [https://www.amazon.co.uk/Nobby-Safety-Vest-Led-Small/dp/B00YS4LESQ/ref=sr\\_1\\_2?keywords=nobby+vest&qid=1566339384&s=pet-supplies&sr=1-2.\\*](https://www.amazon.co.uk/Nobby-Safety-Vest-Led-Small/dp/B00YS4LESQ/ref=sr_1_2?keywords=nobby+vest&qid=1566339384&s=pet-supplies&sr=1-2.*)

“Guardian Gear Safety Vest for Dogs”. Found online Aug. 20, 2019 at amazon.ca. Page dated Nov. 1, 2011. Retrieved from [https://www.amazon.ca/Guardian-ZA264-08-69-Safety/dp/B000Y8YOJ6/ref=sr\\_1\\_344?qid=1566341874&s=pet-supplies&sr=1-344.\\*](https://www.amazon.ca/Guardian-ZA264-08-69-Safety/dp/B000Y8YOJ6/ref=sr_1_344?qid=1566341874&s=pet-supplies&sr=1-344.*)

(Continued)

*Primary Examiner* — Kendra Leslie Hamilton

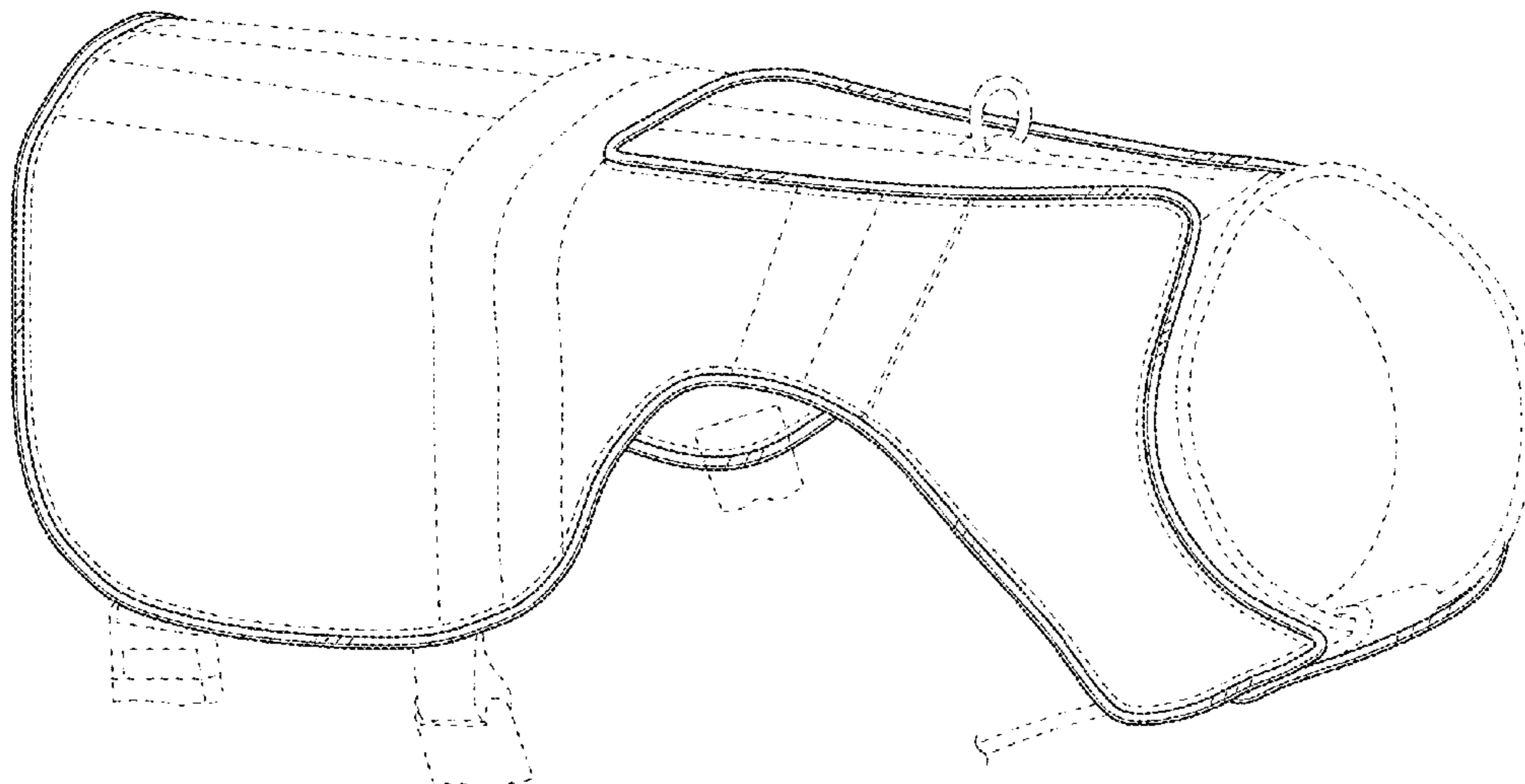
(57) **CLAIM**

The ornamental design for a vest for pet, as shown and described.

**DESCRIPTION**

FIG. 1 is a right side elevation view of a vest for pet, showing my new design in condition of use.  
FIG. 2 is a ride side elevation view of the vest for pet of FIG. 1, shown enlarged for clarity of disclosure;  
FIG. 3 is a left side elevation view thereof;  
FIG. 4 is a top plan view of the vest for pet of FIG. 1, shown at a reduced scale;  
FIG. 5 is a bottom plan view thereof;  
FIG. 6 is a top, front, right perspective view of the vest for pet of FIG. 1, shown enlarged for clarity of disclosure; and,  
FIG. 7 is a top, rear, right perspective view thereof.  
In the drawings, the equal-length broken lines on the vest for pet depict stitching and form no part of the claimed design. The equal-length broken lines showing a dog, fasteners, and straps depict environmental subject matter only and form no part of the claimed design.

**1 Claim, 3 Drawing Sheets**



(56)

**References Cited**

OTHER PUBLICATIONS

“SafeHome Safety Vest”. Found online Jan. 10, 2020 at safehomeproducts.com. Page dated Nov. 22, 2008. Retrieved from <https://web.archive.org/web/20081122091007/http://www.safehomeproducts.com/shp2/sm/safety-vest.aspx>.\*

“NoxGear—LightHound Dog Vest Review”. Found online Apr. 3, 2018 at dzdogs.com. Page dated Oct. 1, 2015. Retrieved from <http://www.dzdogs.com/2015/10/noxgear-lighthouse-dog-vest-review.html>.\*

\* cited by examiner

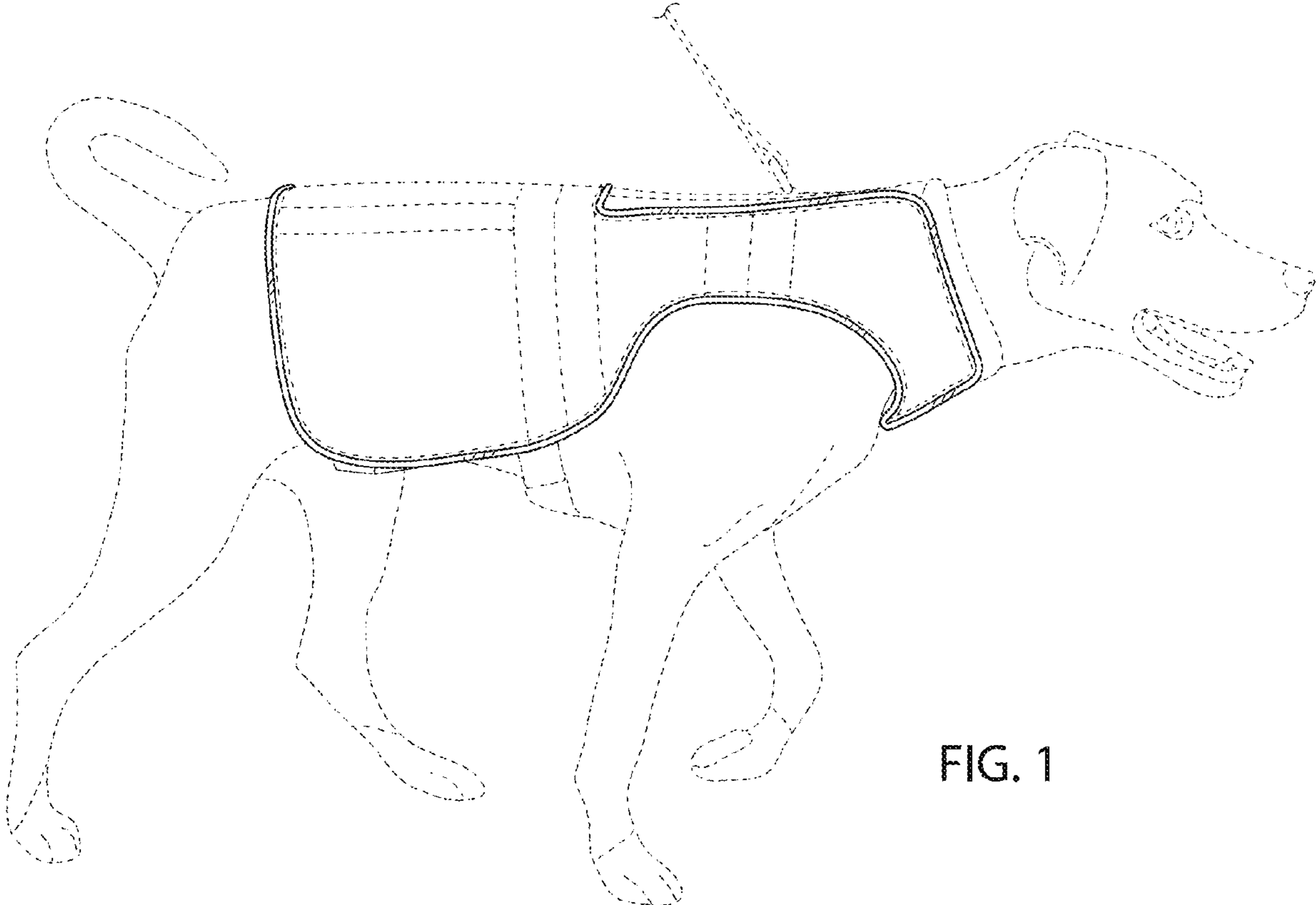


FIG. 1

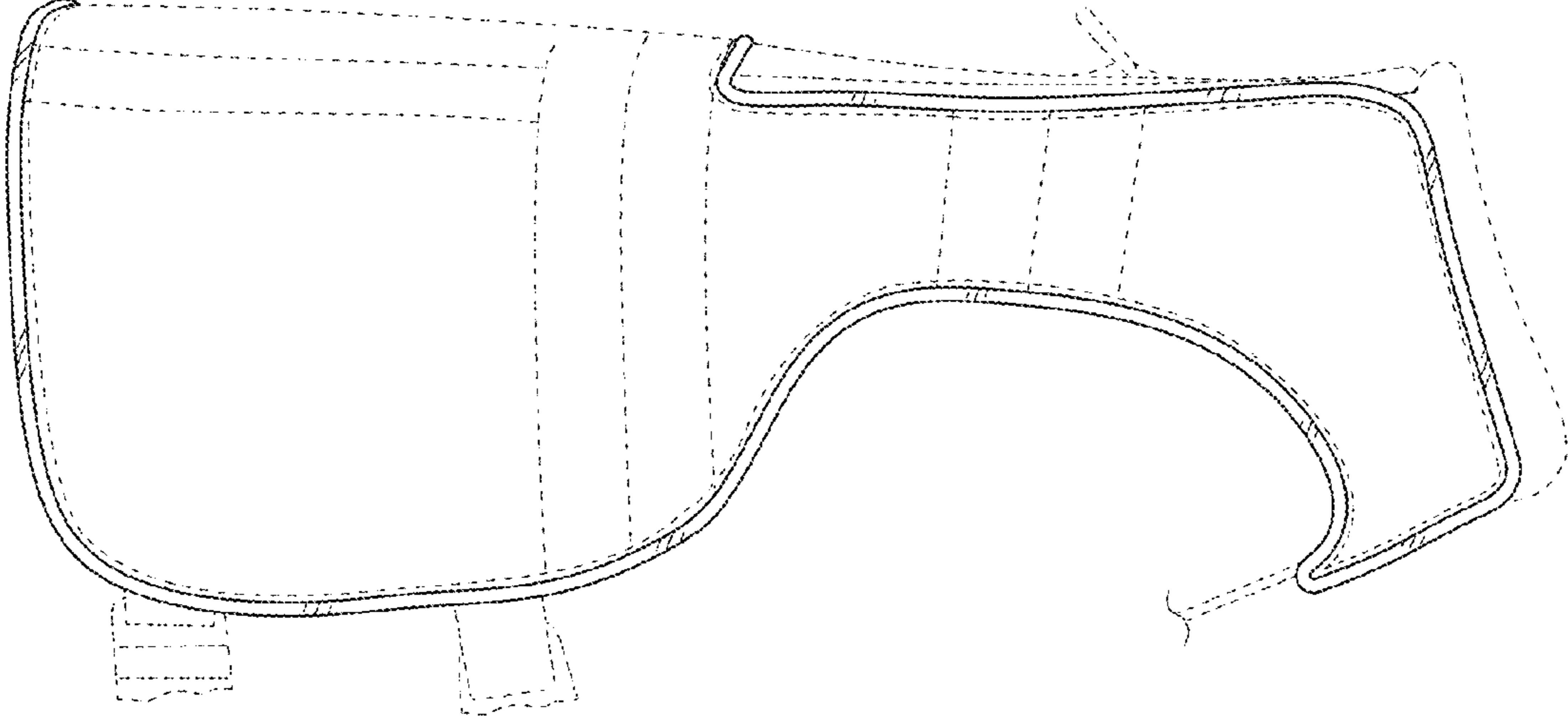


FIG. 2

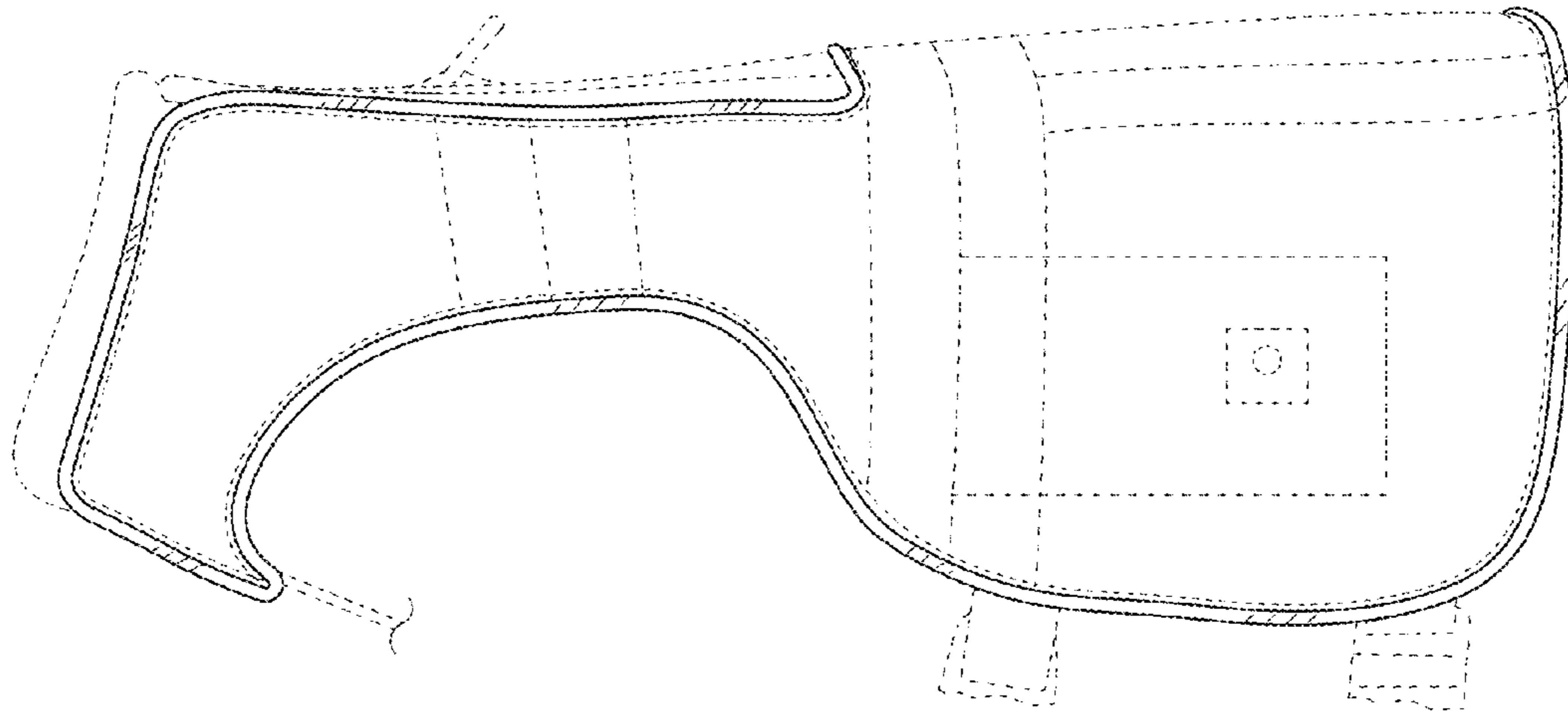


FIG. 3

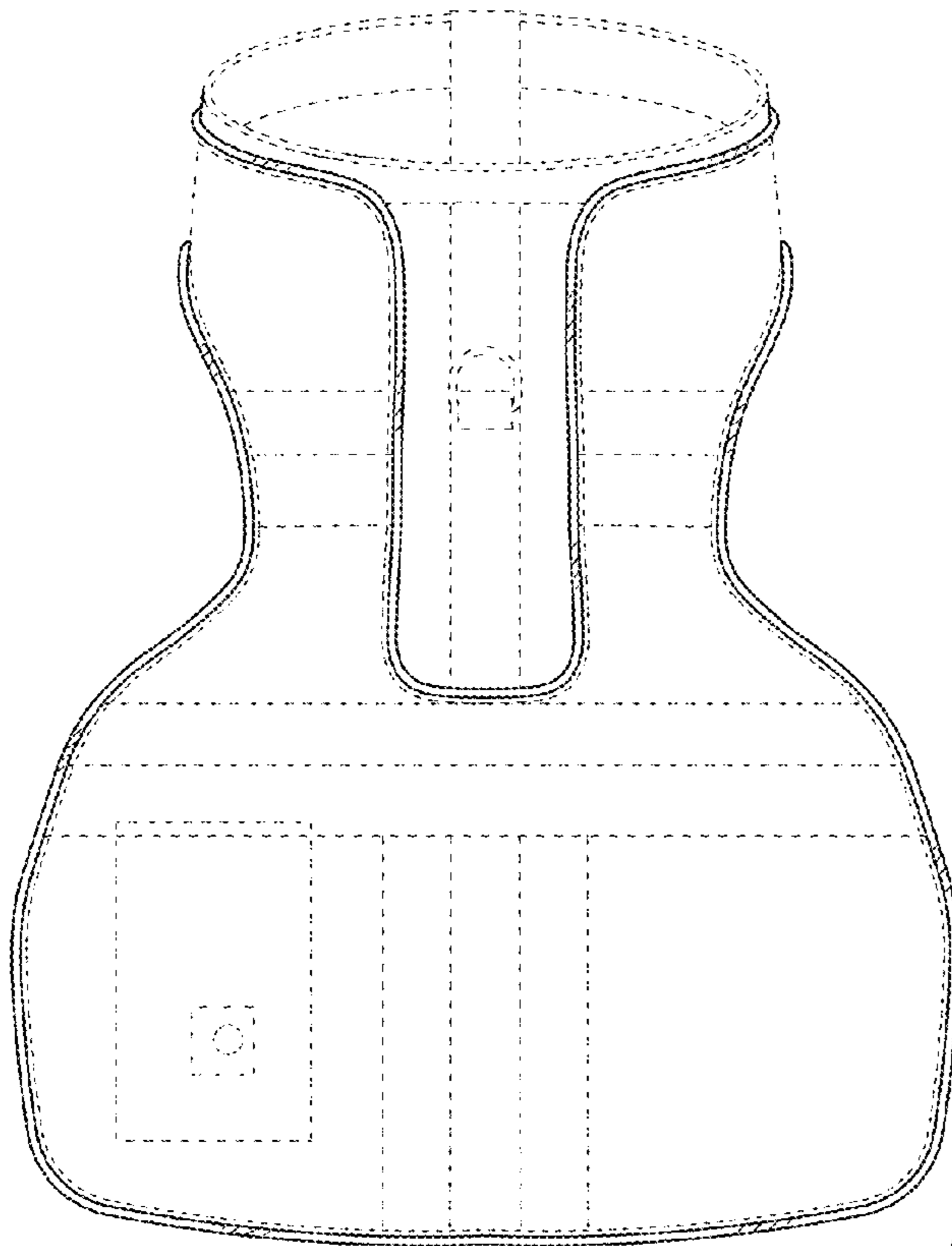


FIG. 4

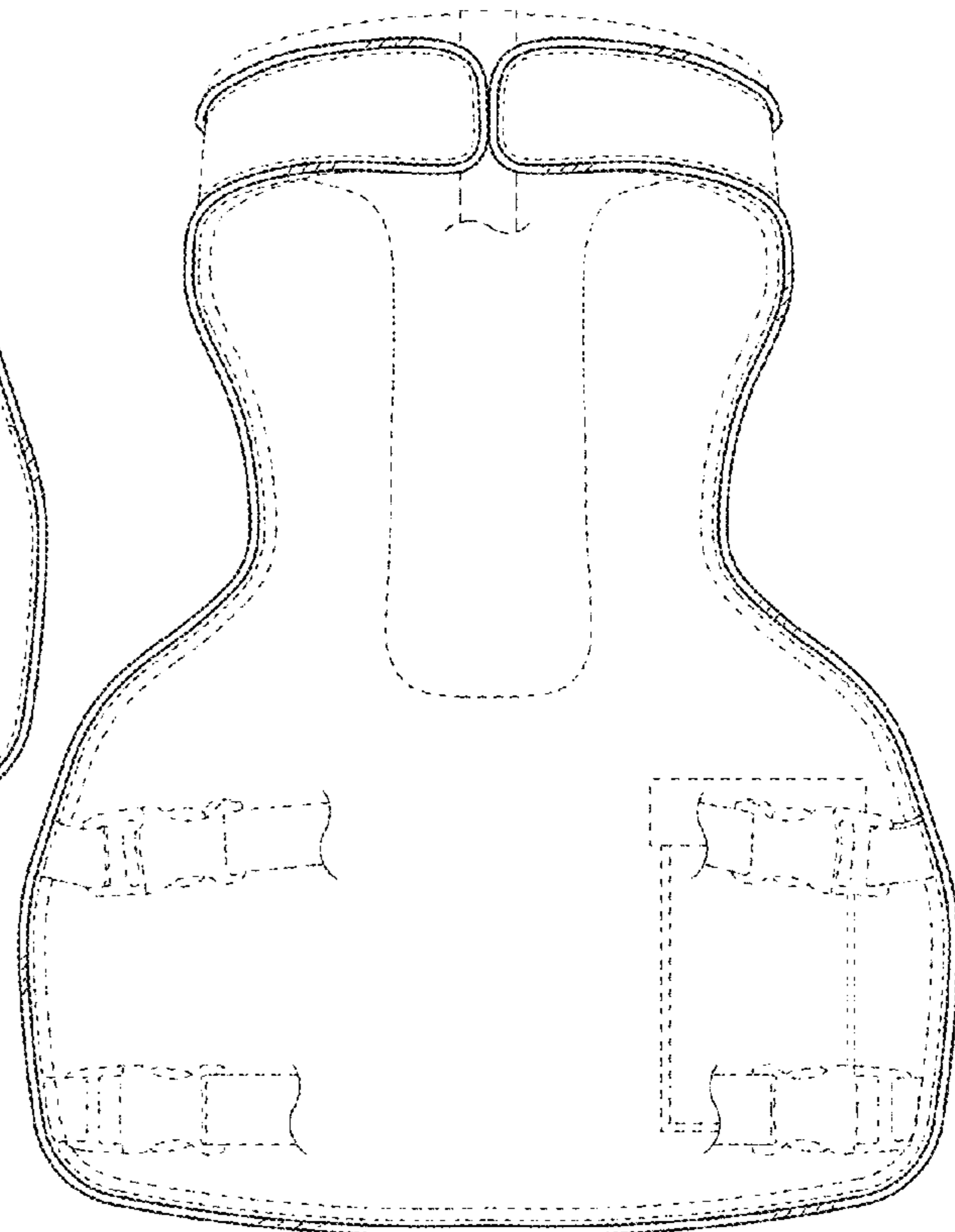


FIG. 5

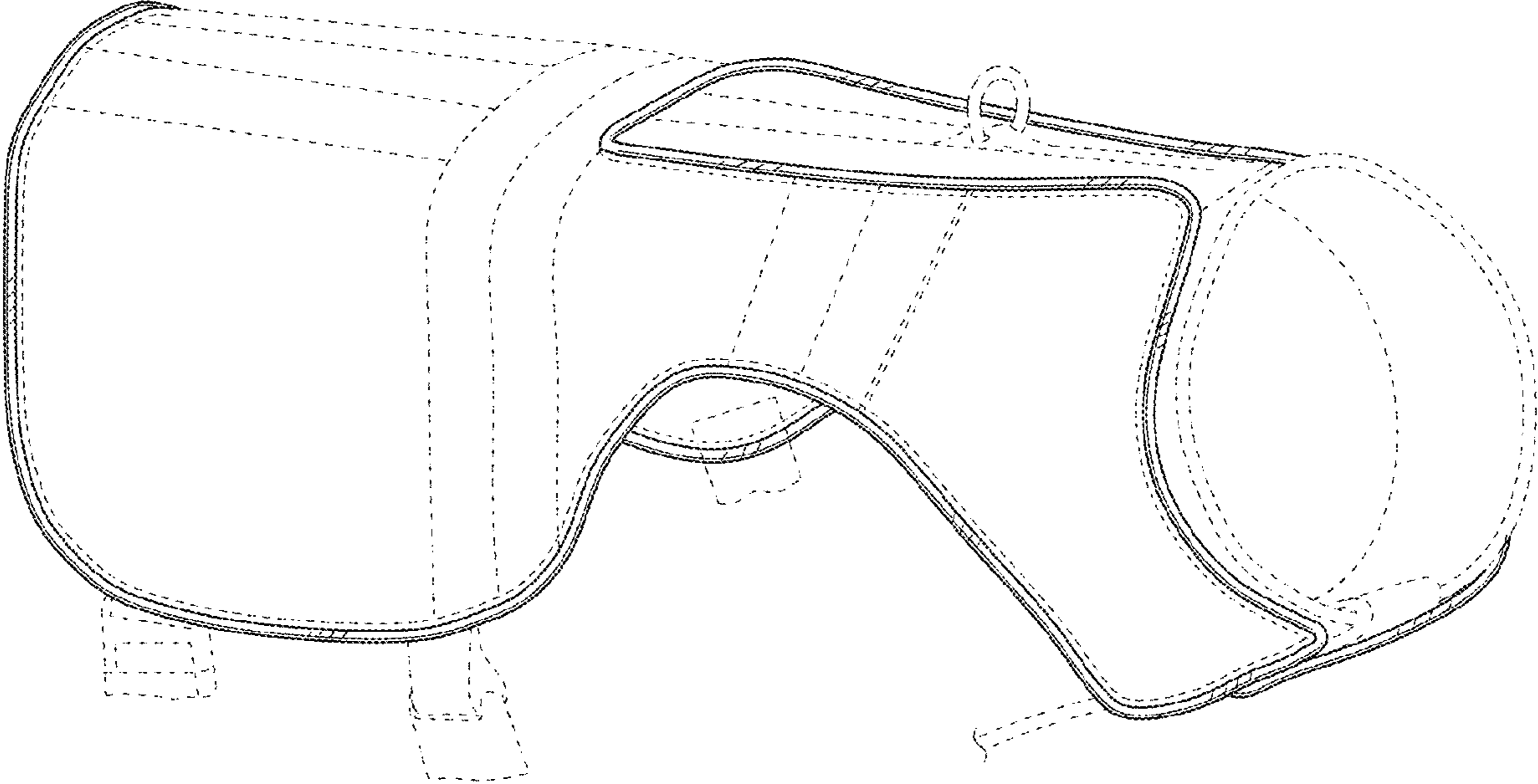


FIG. 6

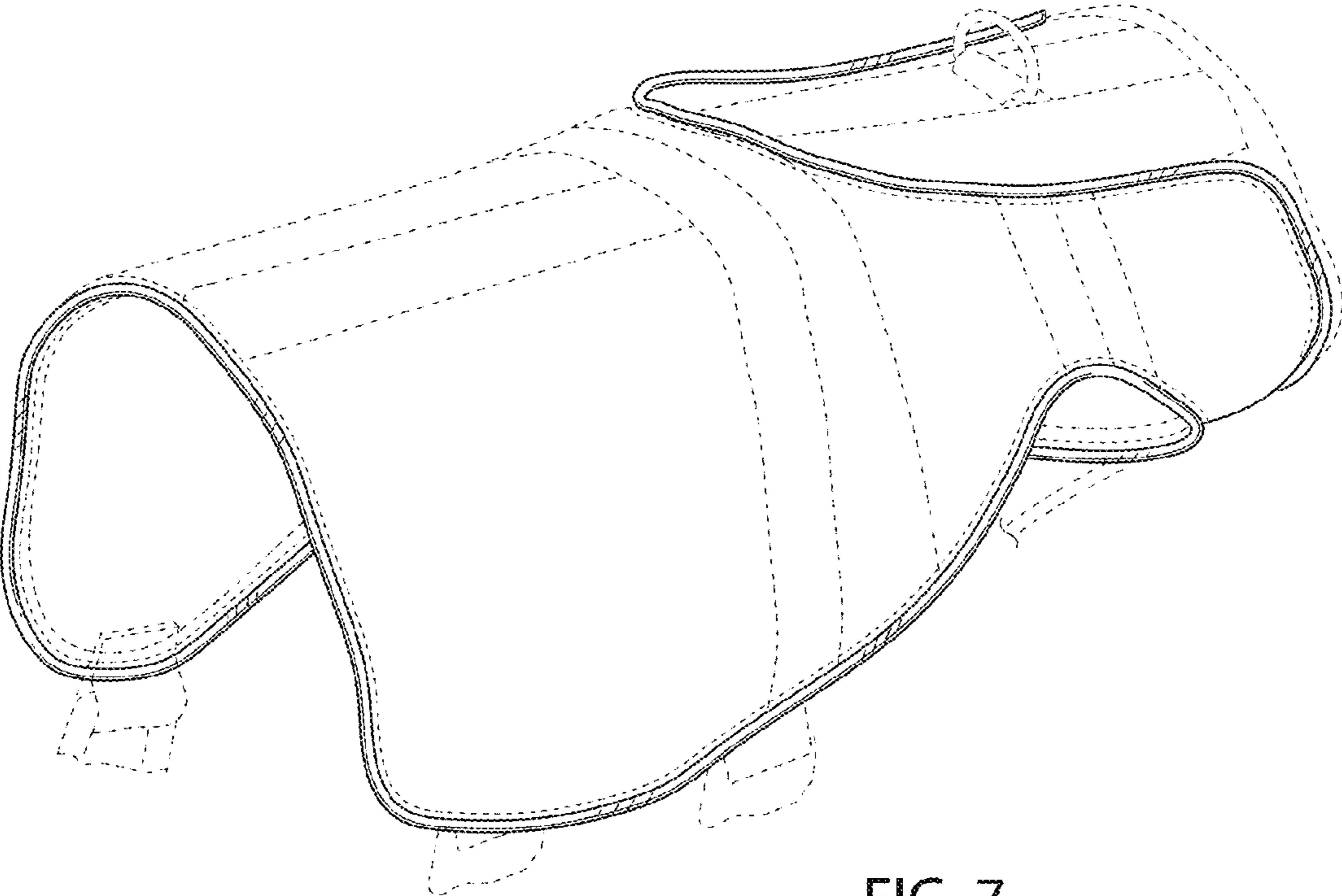


FIG. 7