



US00D909686S

(12) **United States Design Patent** (10) **Patent No.:** **US D909,686 S**
Berk et al. (45) **Date of Patent:** **** Feb. 2, 2021**

(54) **PET CARRIER**

(71) Applicant: **EOS CONSULTING GROUP LLC**,
Astoria, NY (US)

(72) Inventors: **Ian Berk**, Astoria, NY (US); **Emily Miethner**, Astoria, NY (US)

(73) Assignee: **Miethner Creative Group LLC**,
Astoria, NY (US)

(**) Term: **15 Years**

(21) Appl. No.: **29/664,600**

(22) Filed: **Sep. 26, 2018**

(51) **LOC (13) Cl.** **30-02**

(52) **U.S. Cl.**
USPC **D30/109**

(58) **Field of Classification Search**
USPC D30/108, 109, 118–120, 151, 158, 199;
D3/201, 203.1, 203.6, 203.7, 213, 216,
D3/217, 232, 235, 243, 245–246, 273,
D3/276, 269, 271.2, 274, 283, 289–290,
D3/301, 303, 900, 902, 904
See application file for complete search history.

(56) **References Cited**

U.S. PATENT DOCUMENTS

D469,929 S *	2/2003	Licciardello	D30/109
D499,514 S *	12/2004	Doan	D30/108
6,899,057 B1 *	5/2005	Chrisco	A01K 1/0254 119/498
D657,096 S *	4/2012	Leung	D30/108
D681,324 S *	5/2013	Mohr	D3/216
D707,896 S *	6/2014	Renforth	D30/108
D713,605 S *	9/2014	Lipscomb	D30/108
D727,573 S *	4/2015	Eisen	D30/109
D732,246 S *	6/2015	Eisen	D30/109
9,125,478 B2 *	9/2015	Li	A45F 3/047
D845,554 S *	4/2019	Lanzkowsky	D30/109
D853,661 S *	7/2019	Lin	D30/109
D855,900 S *	8/2019	Lu	D30/109

D856,602 S *	8/2019	Lu	D30/109
2002/0148741 A1 *	10/2002	Stobbs	A45C 3/00 206/112
2003/0127059 A1 *	7/2003	Smith, Jr.	A01K 1/0254 119/496

(Continued)

OTHER PUBLICATIONS

“The Jackson Galaxy” available May 27, 2019, [online], [site visited Sep. 14, 2019]. Retrieved from Internet, URL:https://yourcatbackpack.com/blogs/news/jackson-galaxy-star-of-animal-planet-s-my-cat-from-hell-teams-up-with-popular-pet-product-company-your-cat-backpack-to-launch-exclusive-new-carrier-for-cats (Year: 2019).*

(Continued)

Primary Examiner — Michael C Stout
Assistant Examiner — Katrina N Gonzalez
(74) *Attorney, Agent, or Firm* — Bay State IP, LLC

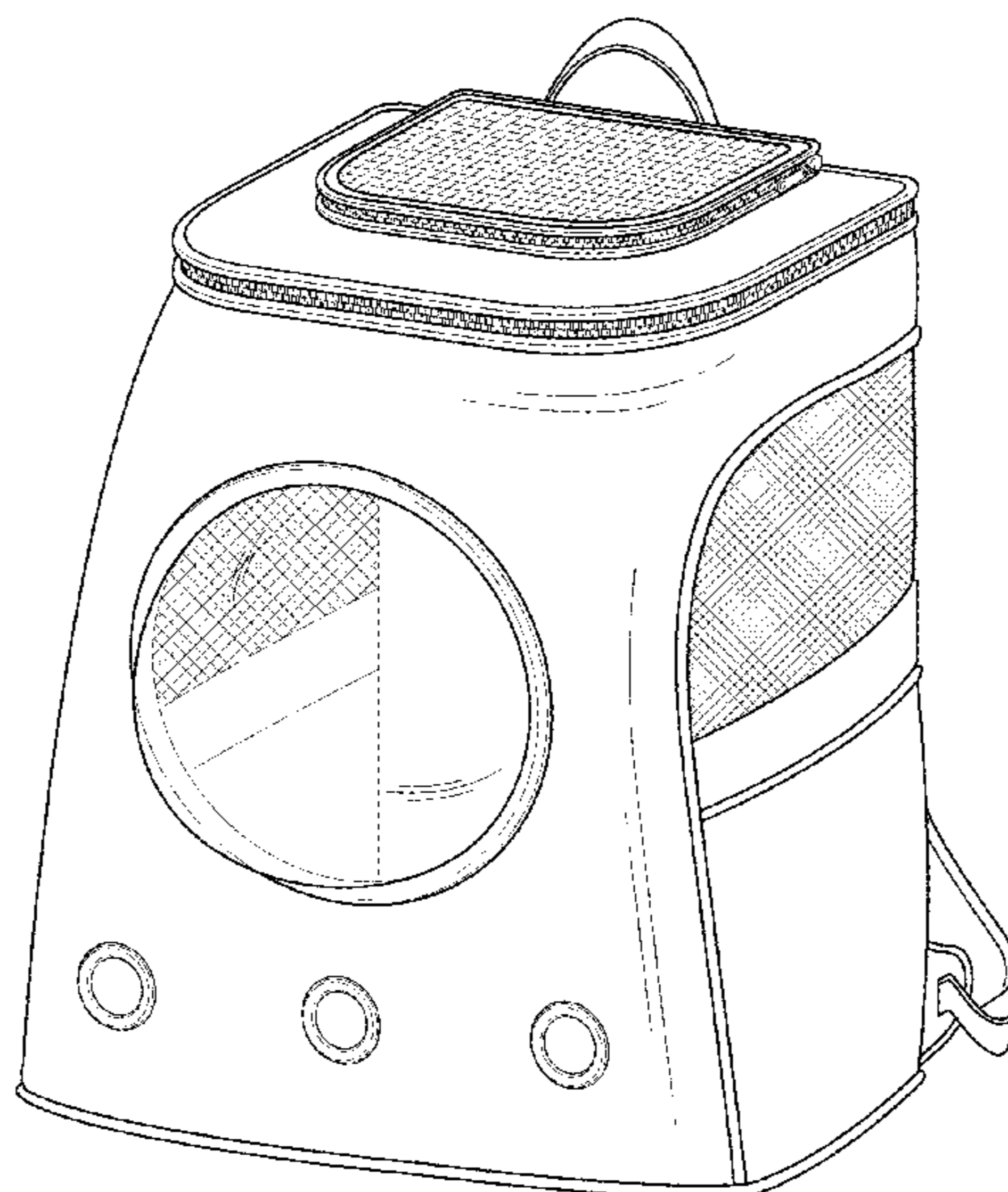
(57) **CLAIM**

The ornamental design for a pet carrier, as shown and described.

DESCRIPTION

FIG. 1 is a front perspective view of the pet carrier showing our new design;
FIG. 2 is a front view thereof;
FIG. 3 is a back view thereof;
FIG. 4 is a right side view thereof;
FIG. 5 is a left side view thereof;
FIG. 6 is a bottom view thereof; and,
FIG. 7 is a top view thereof, but shown open in a configuration of use for clarity of illustration.
The broken lines shown in FIG. 7 illustrate environmental structure that forms no part of the claimed design.
The broken lines shown in FIG. 6 illustrate portions of the pet carrier that form no part of the claimed design.

1 Claim, 7 Drawing Sheets



(56)

References Cited

U.S. PATENT DOCUMENTS

2010/0313824 A1* 12/2010 Northrop A01K 1/0254
119/496
2019/0124882 A1* 5/2019 Hazouri-Yearly A01K 1/029

OTHER PUBLICATIONS

“The Jackson Galaxy Convertible Cat Backpack Carrier” available Jun. 3, 2019, [online], [site visited Sep. 14, 2019]. Retrieved from Internet, URL:<https://yourcatbackpack.com/products/the-jackson-galaxy-convertible-cat-backpack> (Year: 2019).*

* cited by examiner

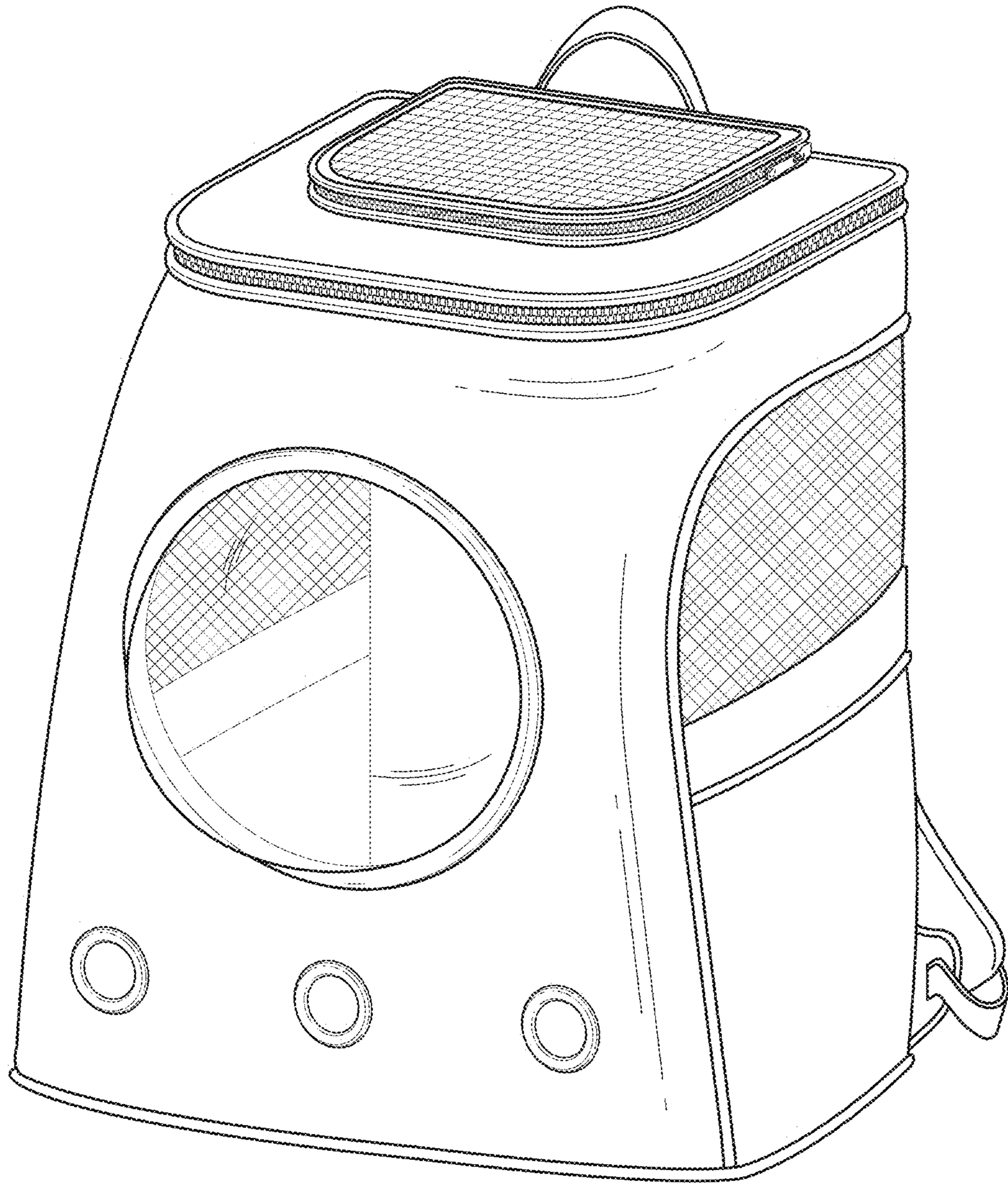


Fig. 1

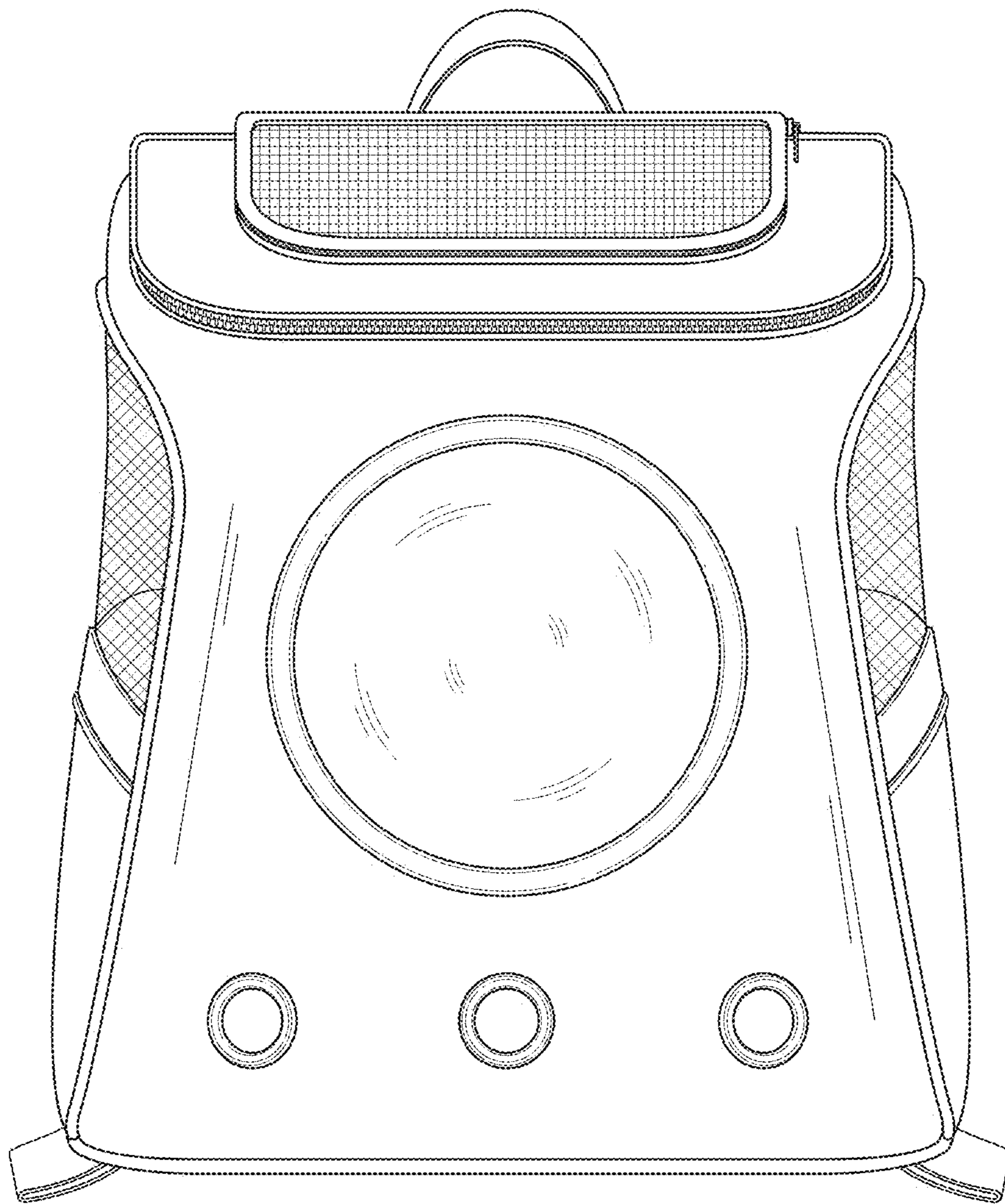


Fig. 2

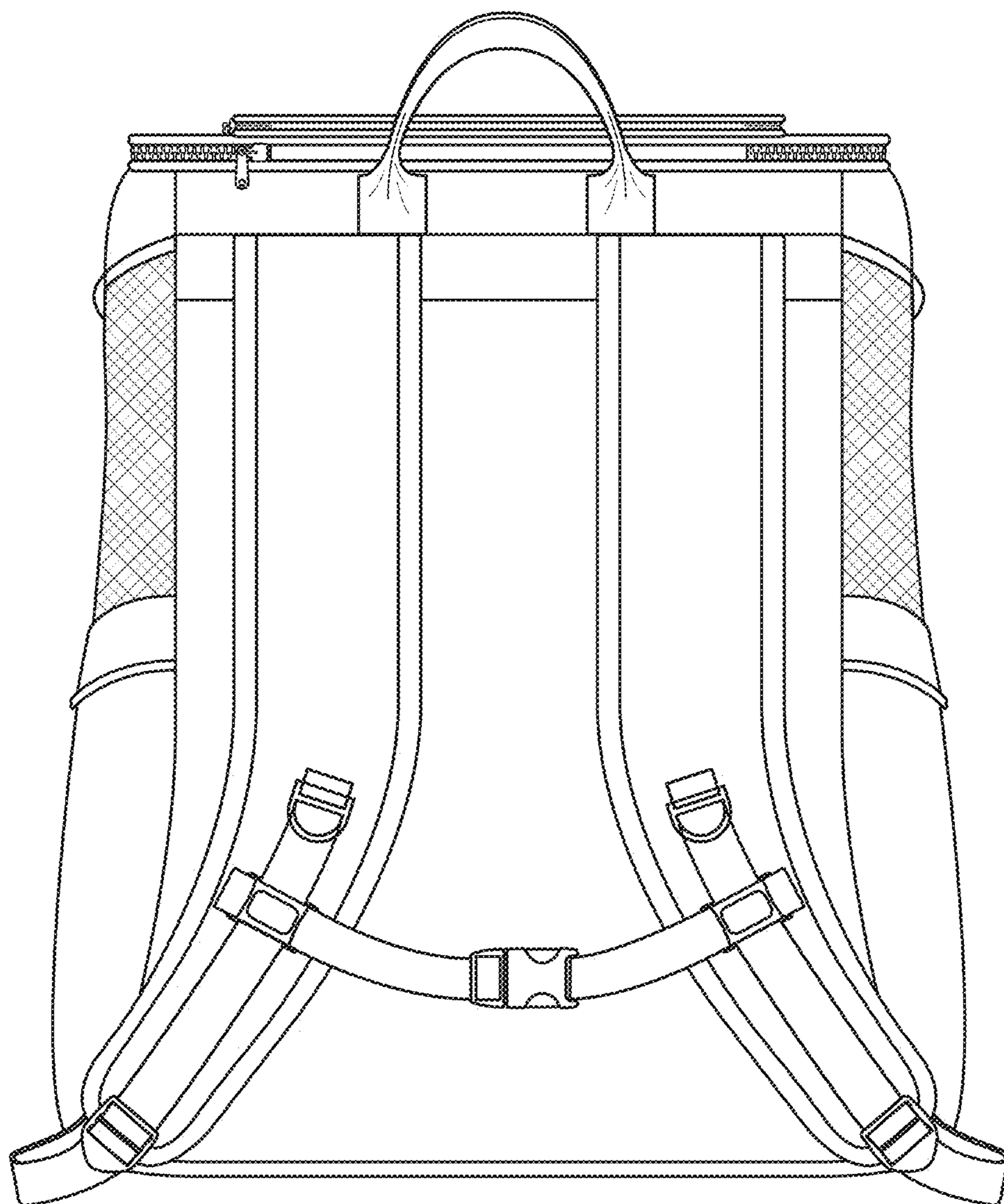


Fig. 3

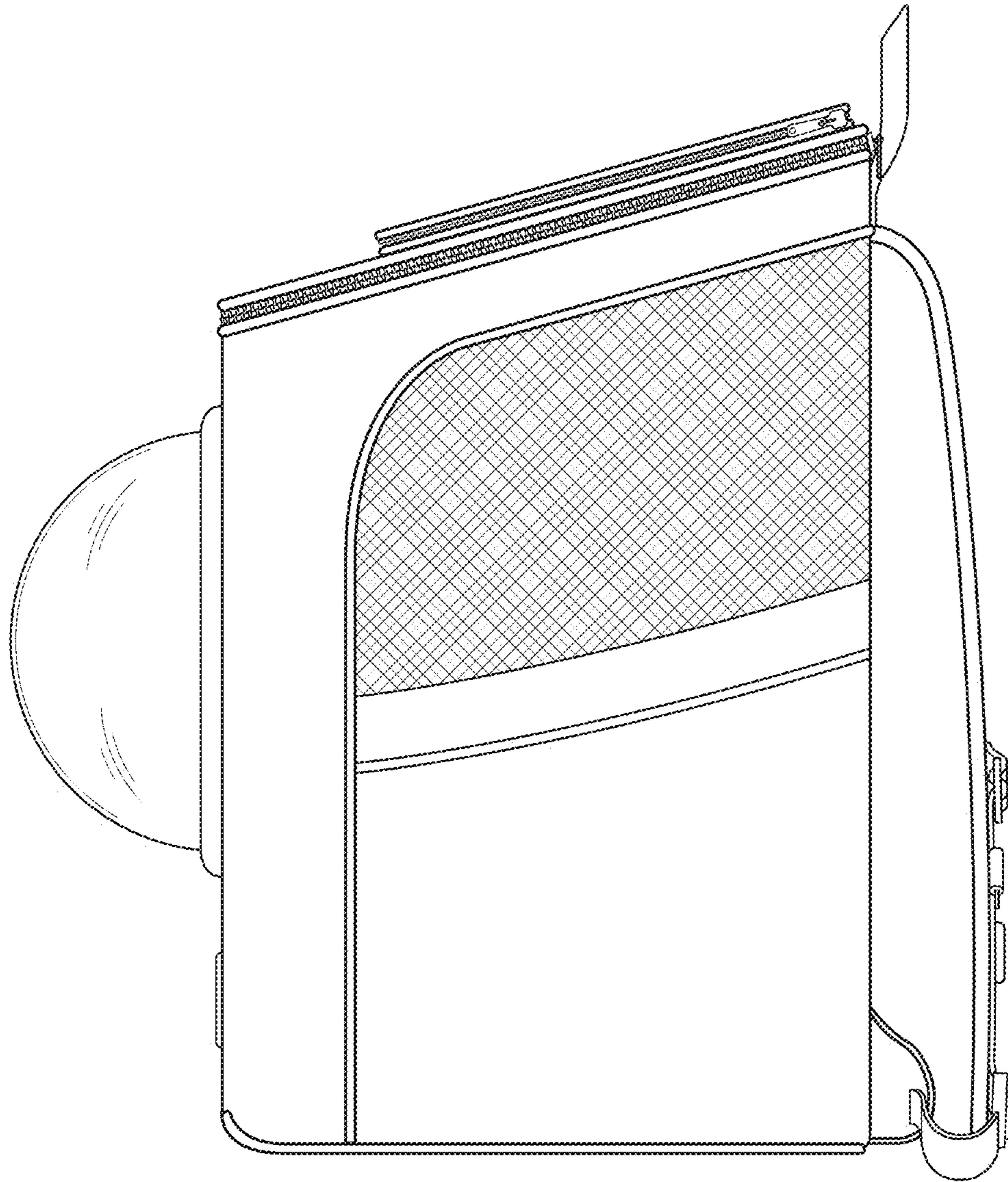


Fig. 4

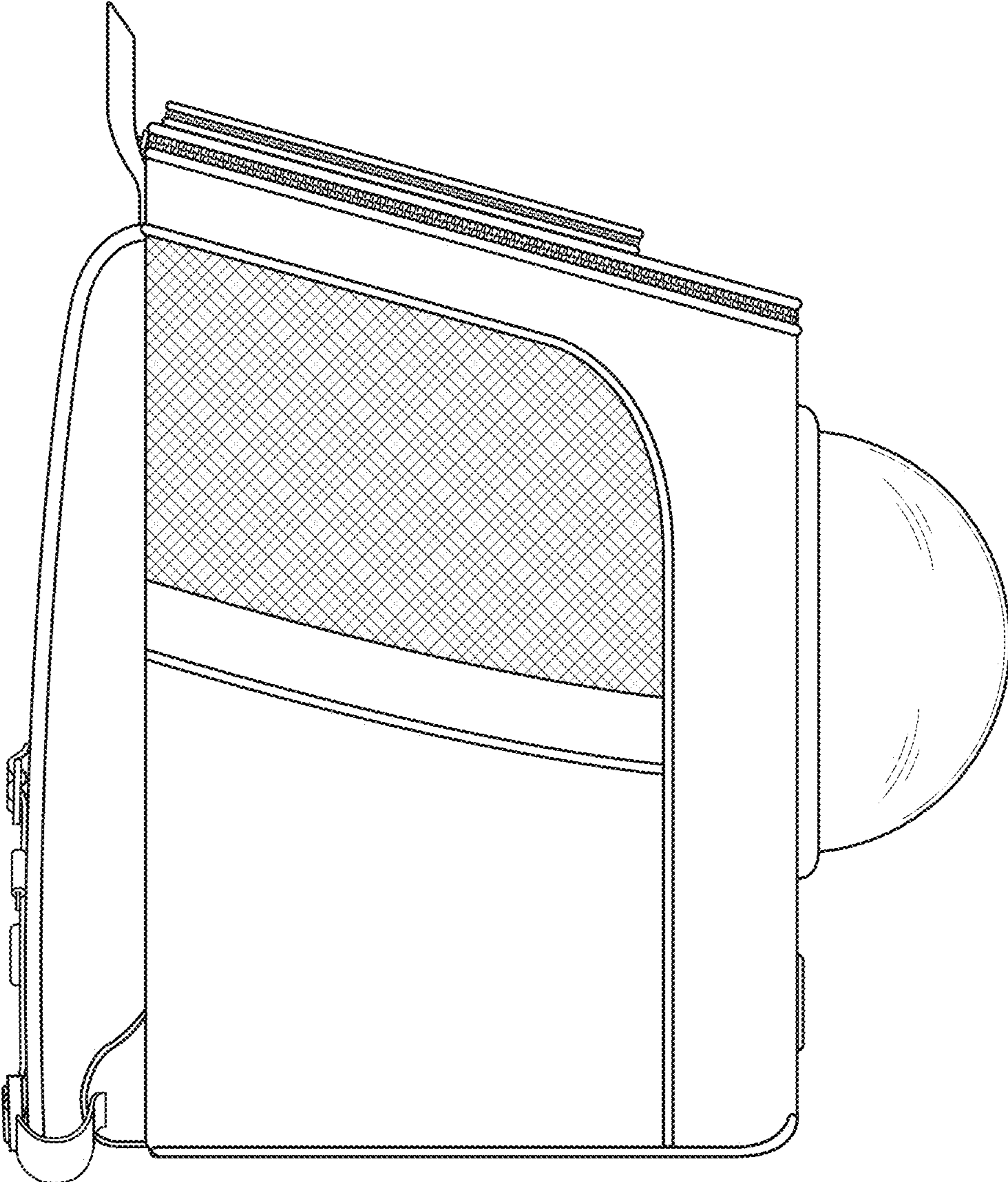


Fig. 5

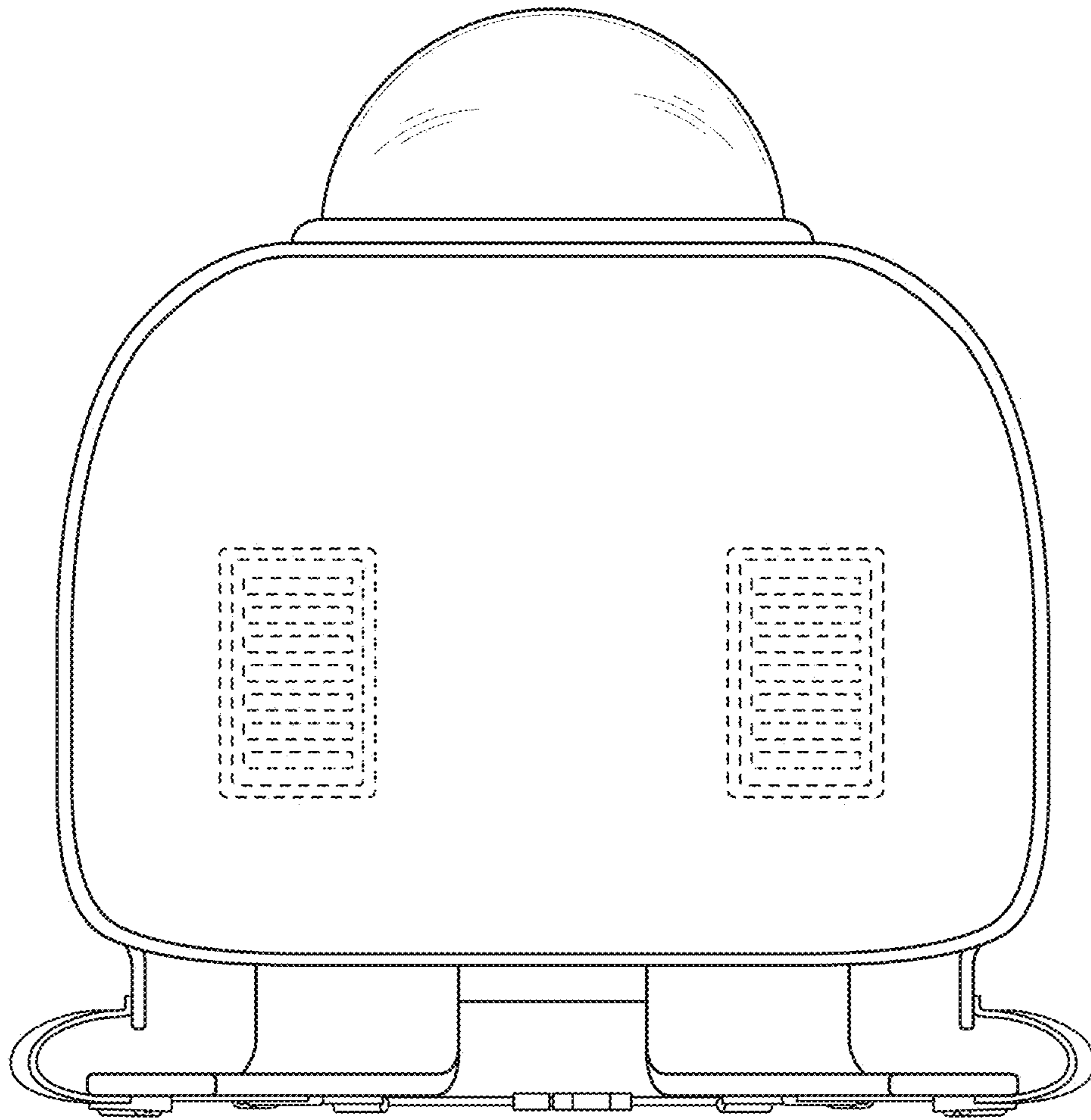


Fig. 6

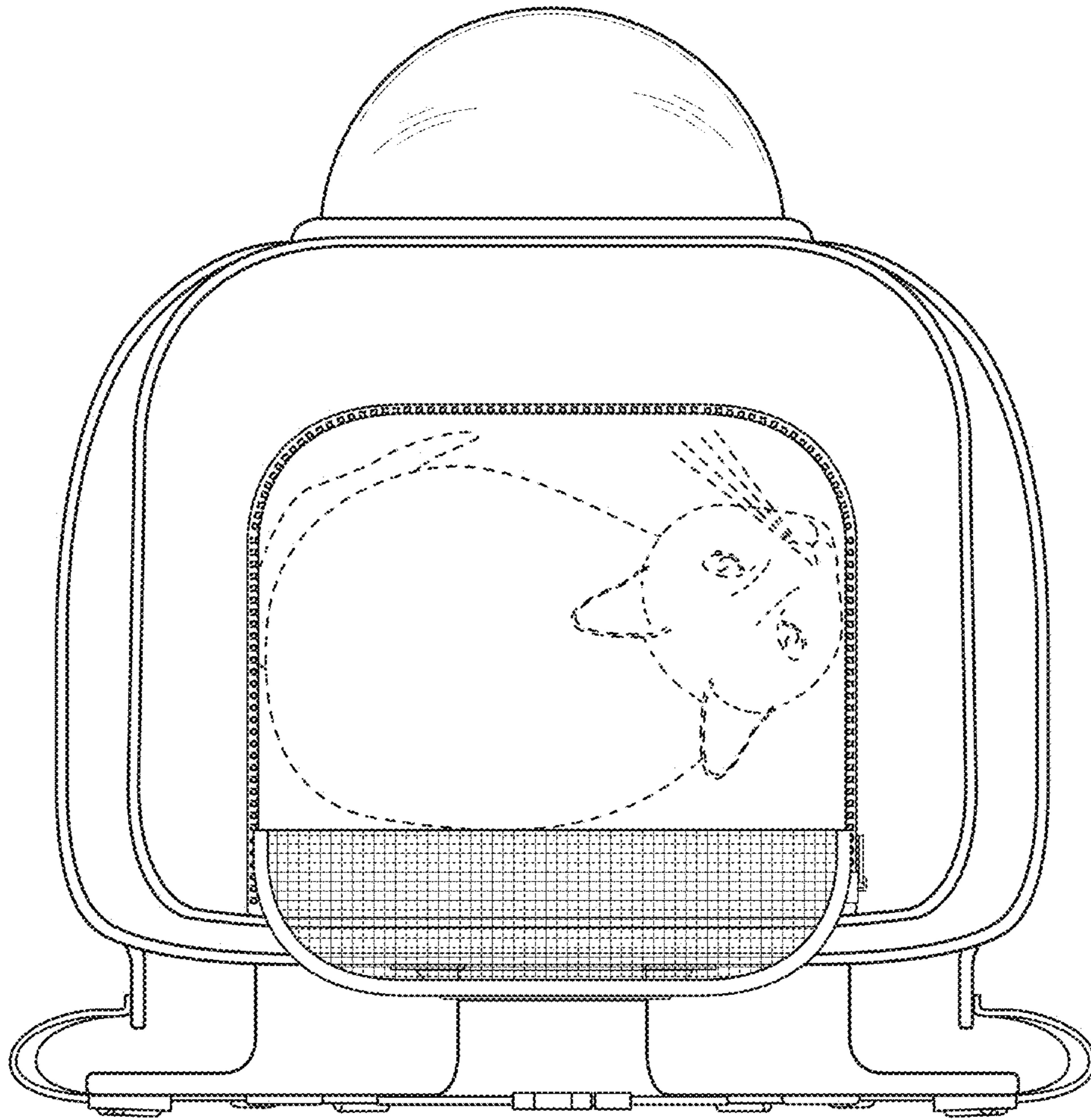


Fig. 7