



US00D909684S

(12) **United States Design Patent**
Gustafson

(10) **Patent No.:** **US D909,684 S**

(45) **Date of Patent:** **** Feb. 2, 2021**

(54) **FINGER GUARD**

(71) Applicant: **Charles B. Gustafson**, Littleton, CO (US)

(72) Inventor: **Charles B. Gustafson**, Littleton, CO (US)

(**) Term: **15 Years**

(21) Appl. No.: **29/741,737**

(22) Filed: **Jul. 15, 2020**

(51) **LOC (13) Cl.** **29-02**

(52) **U.S. Cl.**
USPC **D29/113**

(58) **Field of Classification Search**
USPC D29/113-114; D2/623

(Continued)

(56) **References Cited**

U.S. PATENT DOCUMENTS

1,388,618 A 8/1921 Stein et al.
1,761,356 A 6/1930 McNamara

(Continued)

FOREIGN PATENT DOCUMENTS

CA 2538432 A1 3/2006

Primary Examiner — Michael A. Pratt

(74) *Attorney, Agent, or Firm* — Superior Patent Group, LLC; Patricia C. Brzostowicz

(57) **CLAIM**

The ornamental design for a finger guard, as shown and described.

DESCRIPTION

FIG. 1 is a top perspective view for the finger guard in use; FIG. 2 is a top perspective view of the finger guard as it folded as it would be fitted on a hand;

FIG. 3 is a right end plan view of the finger guard as it folded as it would be fitted on a hand;

FIG. 4 is a left end view of the finger guard as it appears when fitted on a hand;

FIG. 5 is a rear elevation view of the finger guard as it appears when fitted on a hand;

FIG. 6 is a front elevation view of the finger guard as it appears when fitted on a hand;

FIG. 7 is a left side elevation view of the finger guard depicting a first variation, variation 1, wherein the forefinger strap is comprised of two straps that meet and are attached via burs and felt to secure the forefinger in the strap snugly;

FIG. 8 is a right side elevation view of the finger guard, variation 1, using burs and felt to secure the forefinger to the strap;

FIG. 9 is a right side elevation view of the finger guard of a second variation, variation 2, wherein a single non-adjustable loop piece is used for the forefinger strap;

FIG. 10 is a right side elevation view of the finger guard of a third variation, variation 3, forefinger strap, wherein two strips tied together from a loop to secure the forefinger in the strap;

FIG. 11 is a top plan view of the finger guard in the open position, forefinger strap variation 1;

FIG. 12 is a bottom plan view of the finger guard in the open position, forefinger strap variation 1;

FIG. 13 is a rear elevation view of the finger guard in the open position, forefinger strap variation 1;

FIG. 14 is a front elevation view of the finger protection in the open position, forefinger strap variation 1;

FIG. 15 is a left side elevation view of the finger guard in the open position, forefinger strap variation 1;

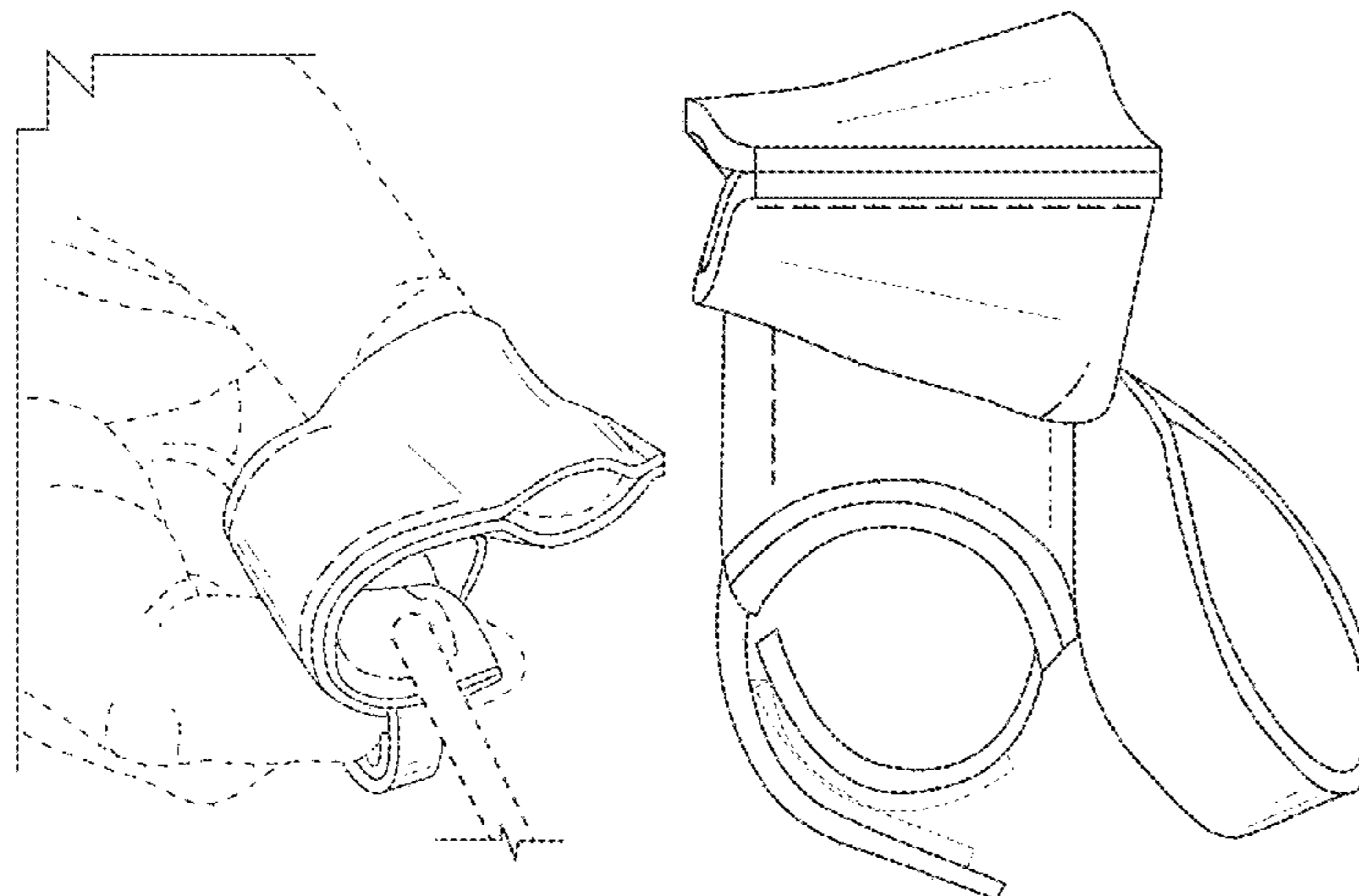
FIG. 16 is a right elevation view of the finger guard in the open position, forefinger strap variation 1;

FIG. 17 is a top perspective of the finger guard in the open position, forefinger strap variation 1; and,

FIG. 18 is a left side perspective view of the finger guard fitted to a hand holding in use holding a skewer.

The dotted lines shown in FIGS. 1, 2, 3, 4, 5, 6, 7, 8, 9, 10, 15 and 16 show stitching as the means to secure portions of the strap to each other and that form no part of the design.

(Continued)



The broken lines showing burs and felt is included for the purpose of illustrating portion of the finger guard that forms no part of the claimed design.

1 Claim, 7 Drawing Sheets

(58) Field of Classification Search

CPC A41D 13/087; A41D 19/01505; A41D 2600/20; D05B 83/00; F16P 1/00; F16P 1/005

See application file for complete search history.

(56) References Cited

U.S. PATENT DOCUMENTS

2,039,530 A 5/1936 Hatch
3,246,338 A 4/1966 Miller
3,295,203 A * 1/1967 Thompson A01D 46/247
30/232

4,460,113 A 7/1984 Nicklous
4,689,828 A * 9/1987 Brewer A41D 13/087
2/21
4,704,742 A * 11/1987 Foster A41D 13/087
2/163
D294,878 S * 3/1988 Banks D29/113
4,763,940 A * 8/1988 Held A41D 13/087
2/21
5,706,520 A * 1/1998 Thornton A41D 13/087
2/2.5
5,749,097 A * 5/1998 Garrett-Roe A41D 13/087
2/21
D405,557 S 2/1999 Lindsay
5,963,985 A * 10/1999 Behr A41D 13/087
2/161.1
6,012,165 A * 1/2000 Cain A41D 13/087
15/236.01
6,038,697 A 3/2000 Kasarnich
6,925,653 B1 * 8/2005 King A41D 13/087
2/163
7,296,300 B2 11/2007 Votolato
D558,929 S * 1/2008 Bleakney D29/114

* cited by examiner

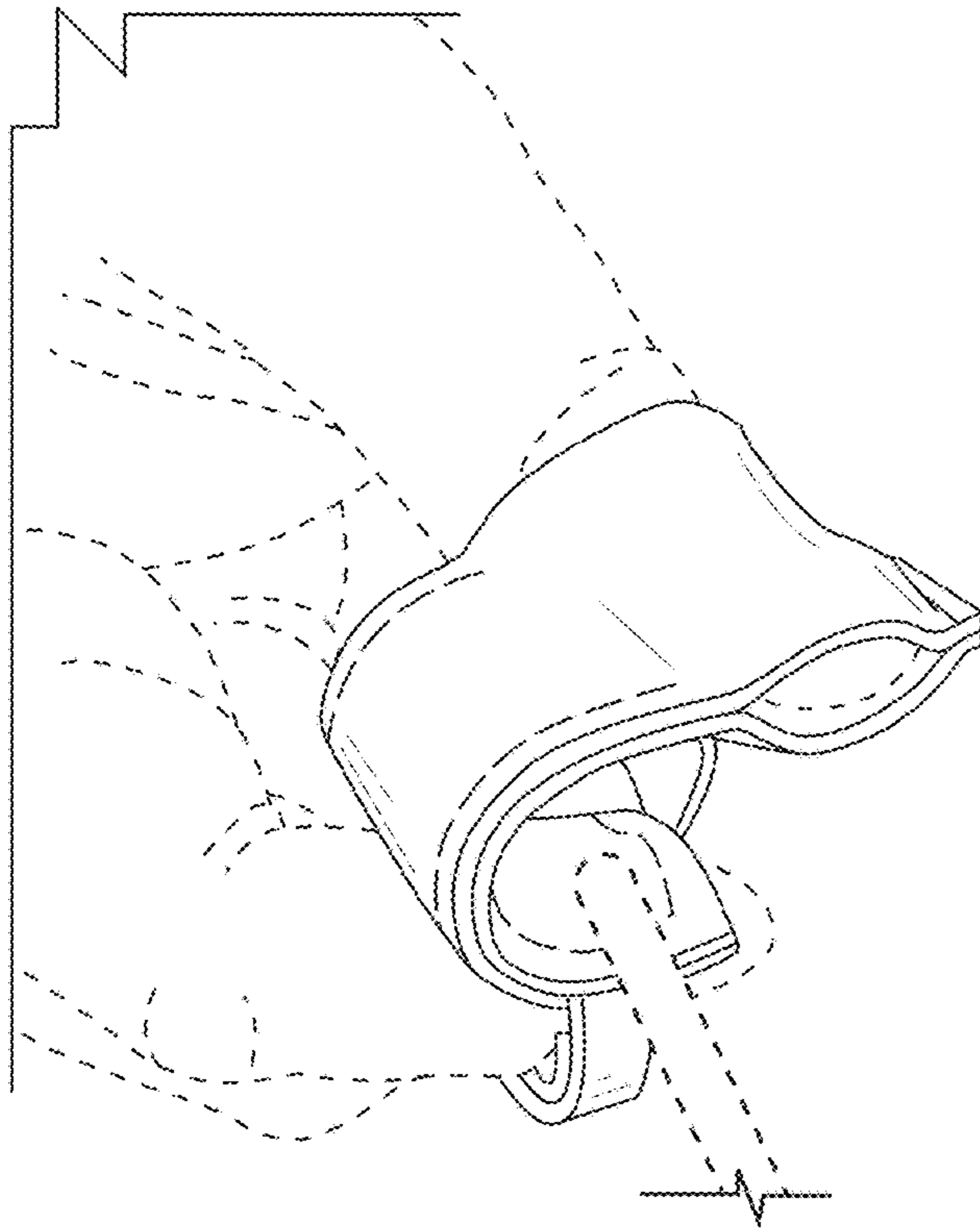


Fig. 1

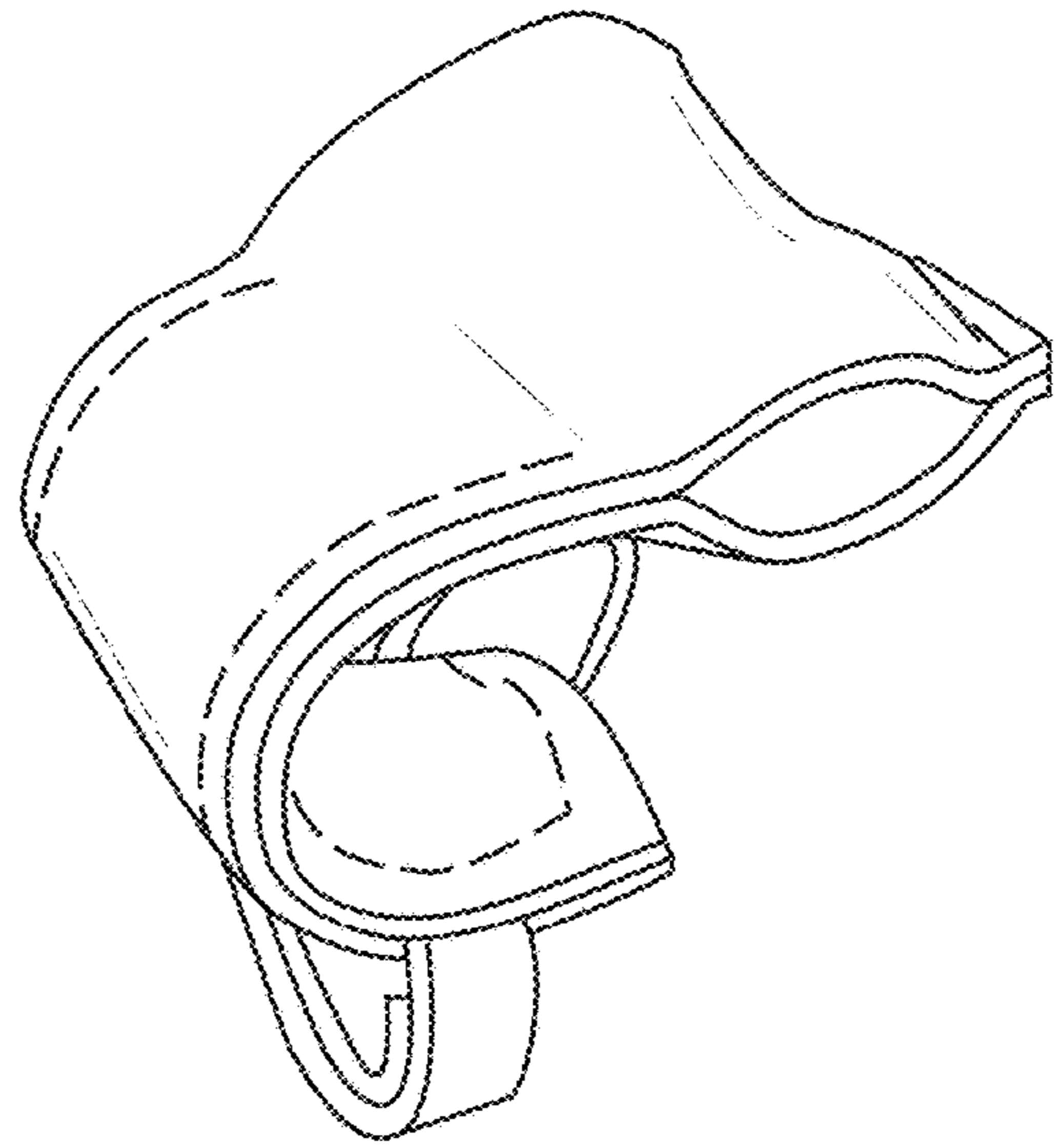


Fig. 2

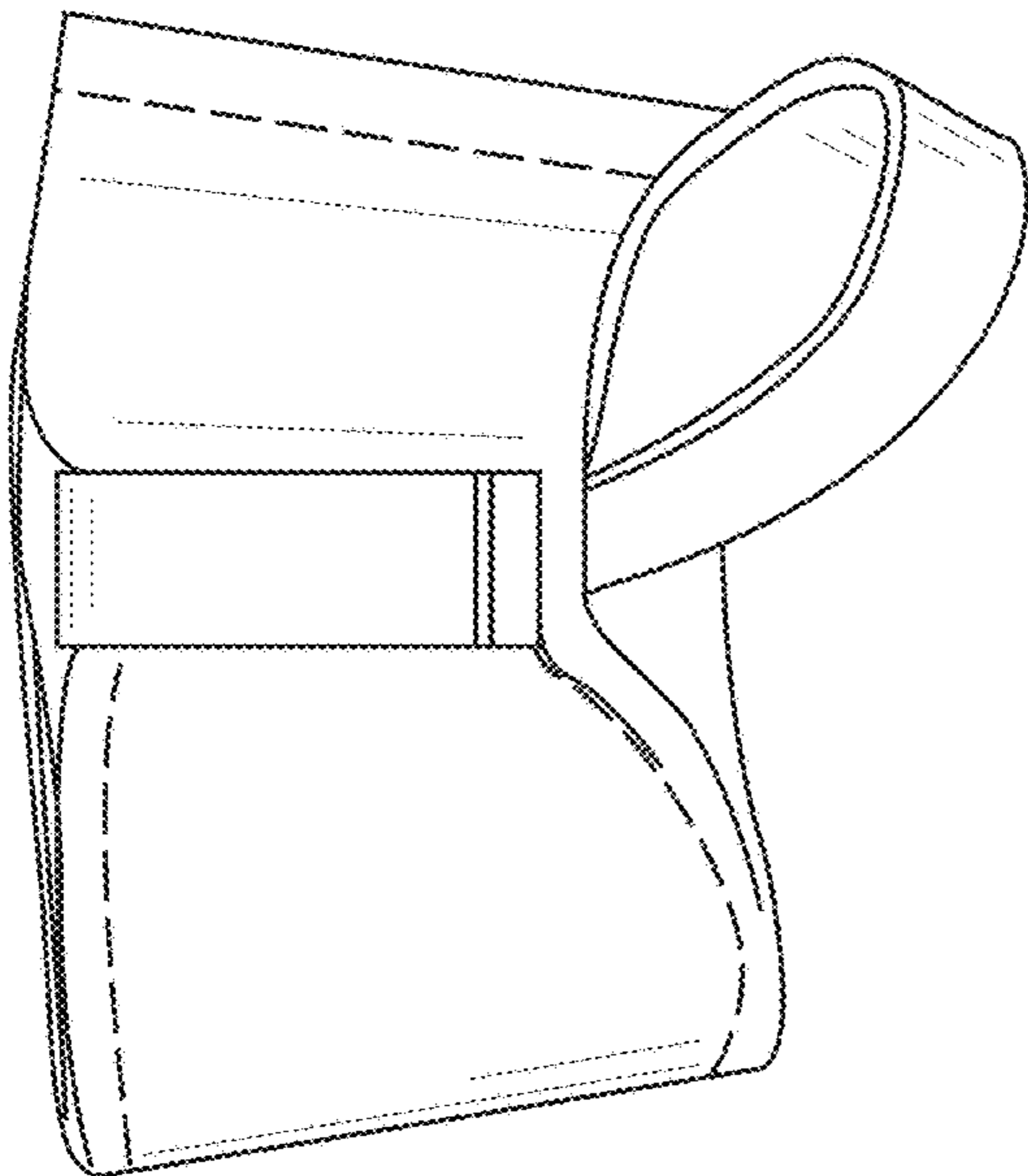


Fig. 3

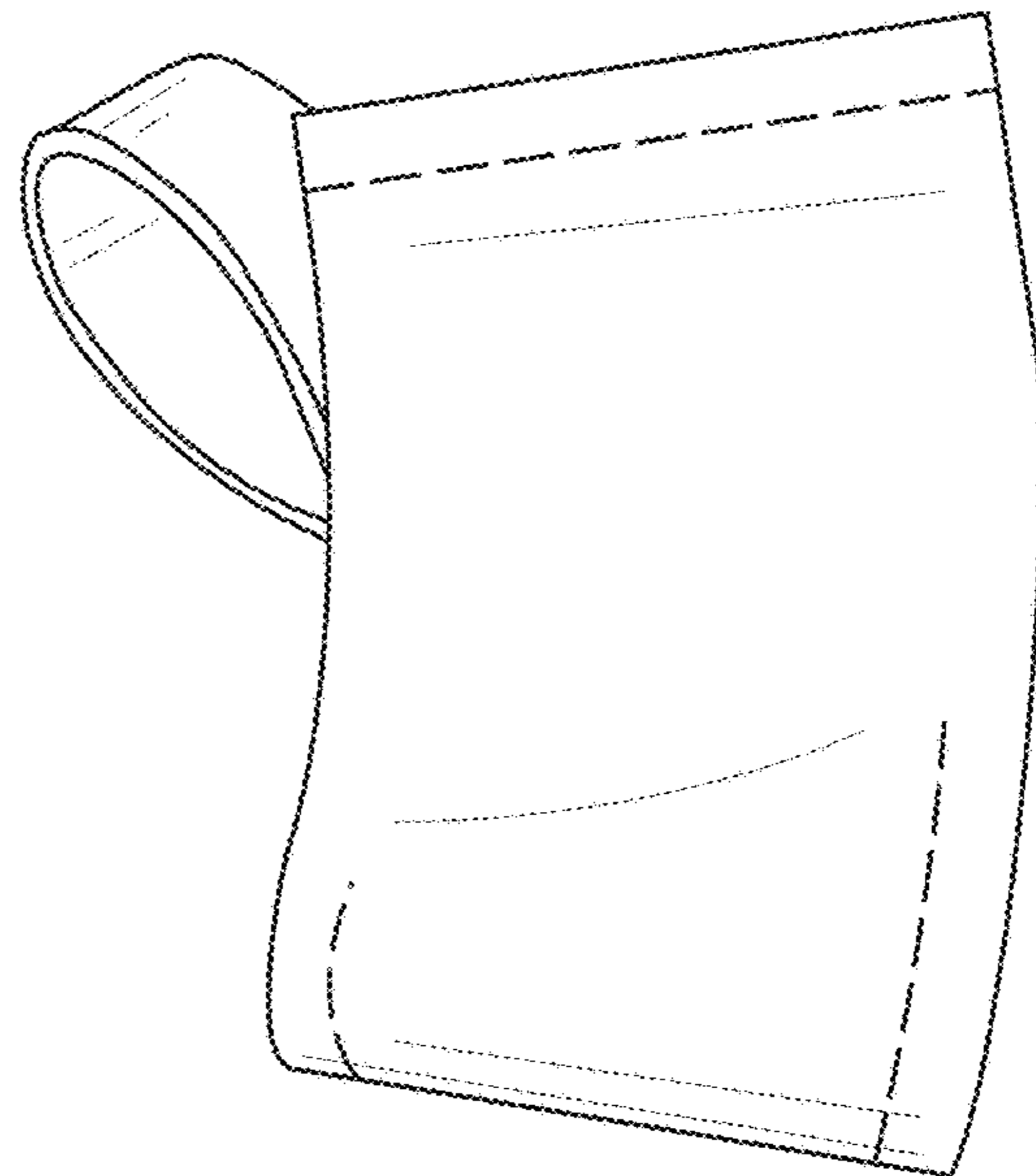


Fig. 4

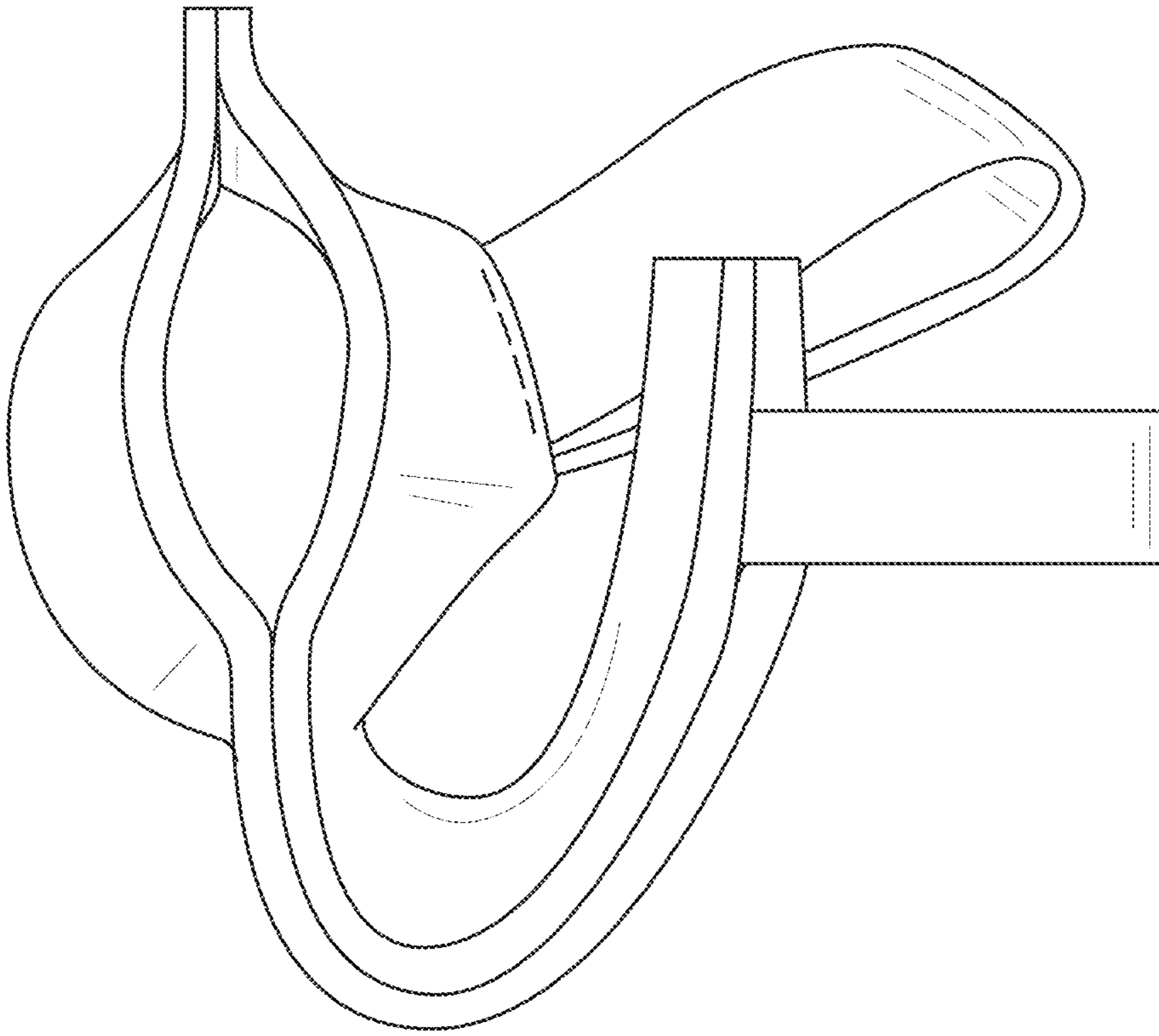


Fig. 6

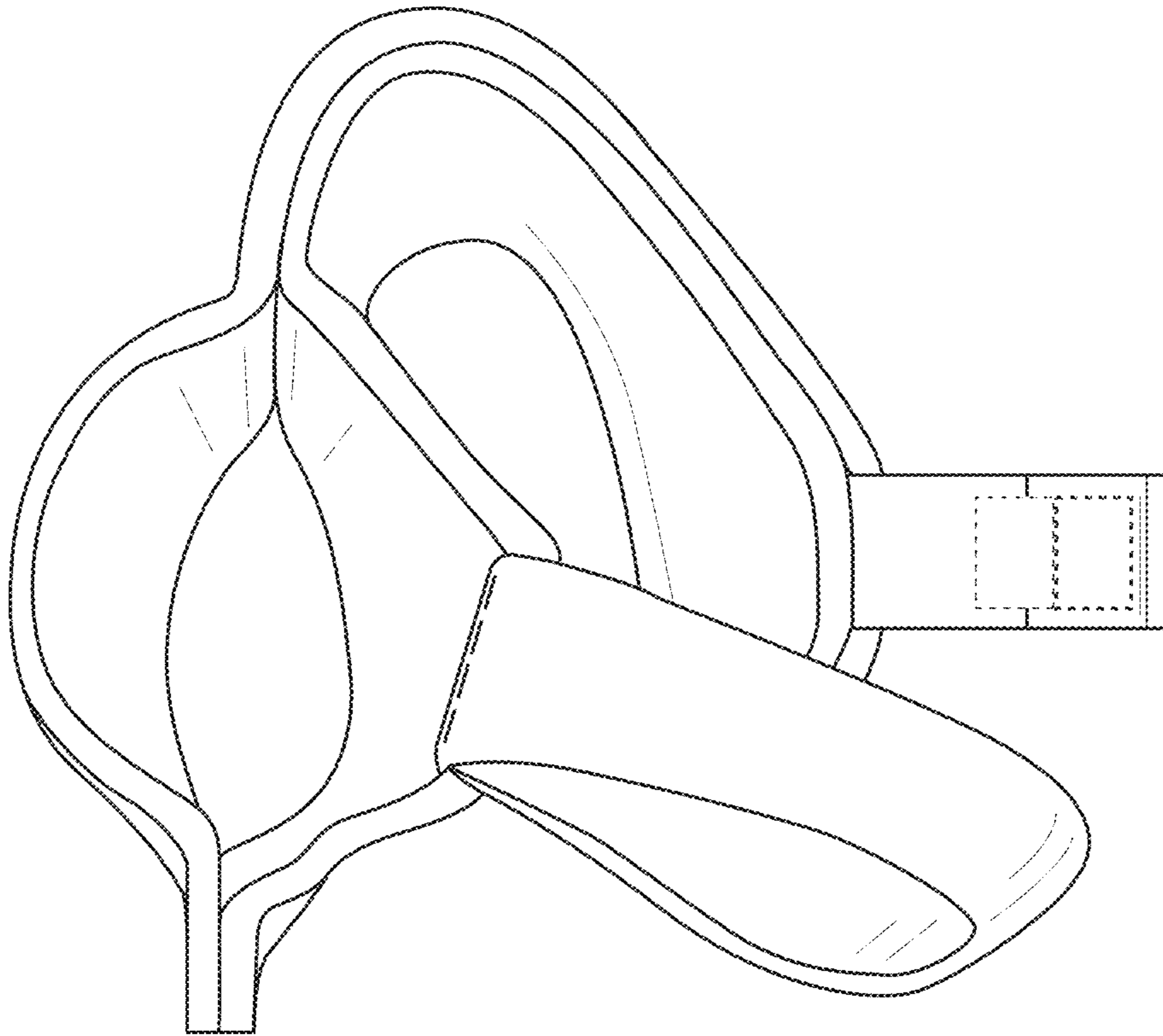


Fig. 5

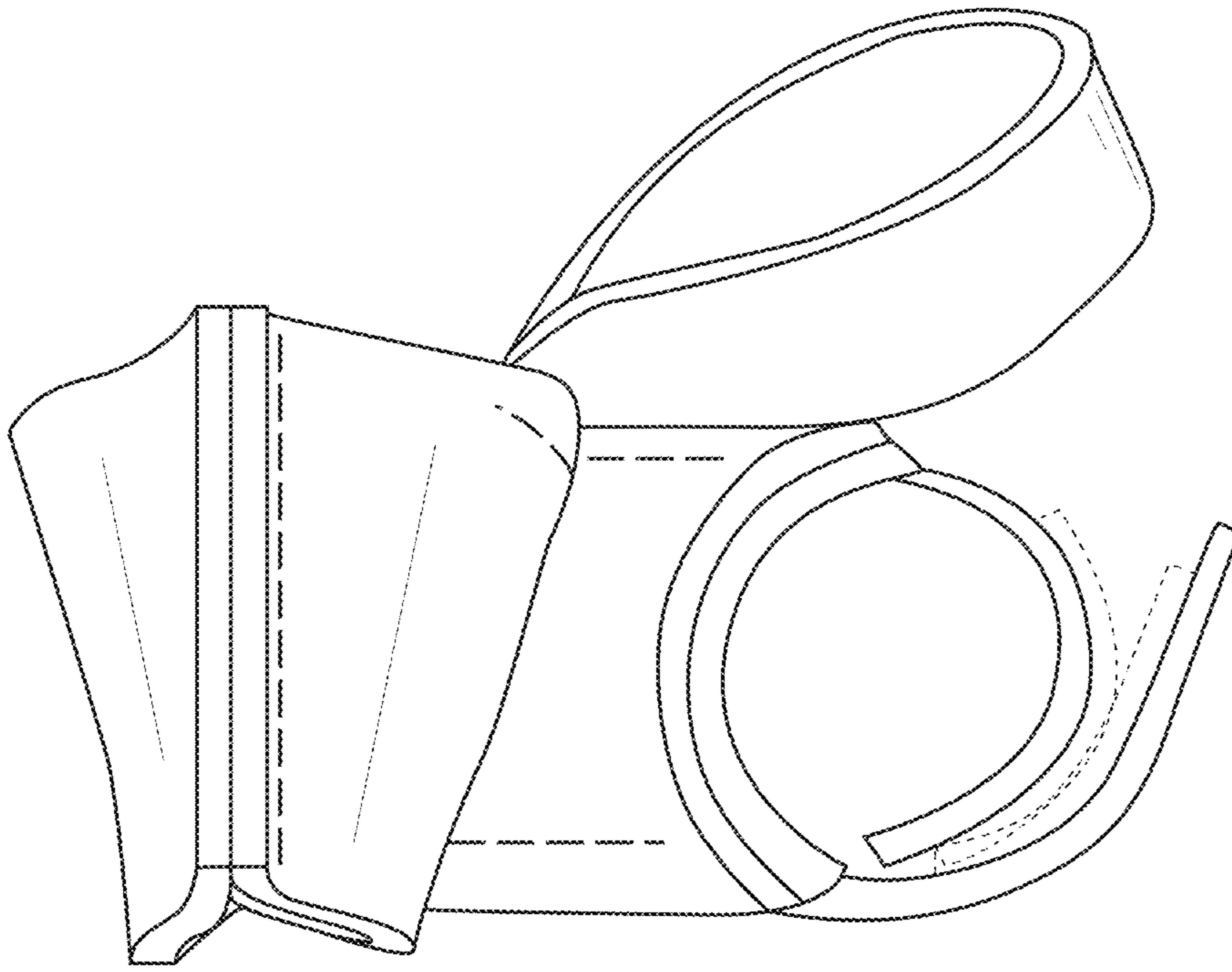


Fig. 8

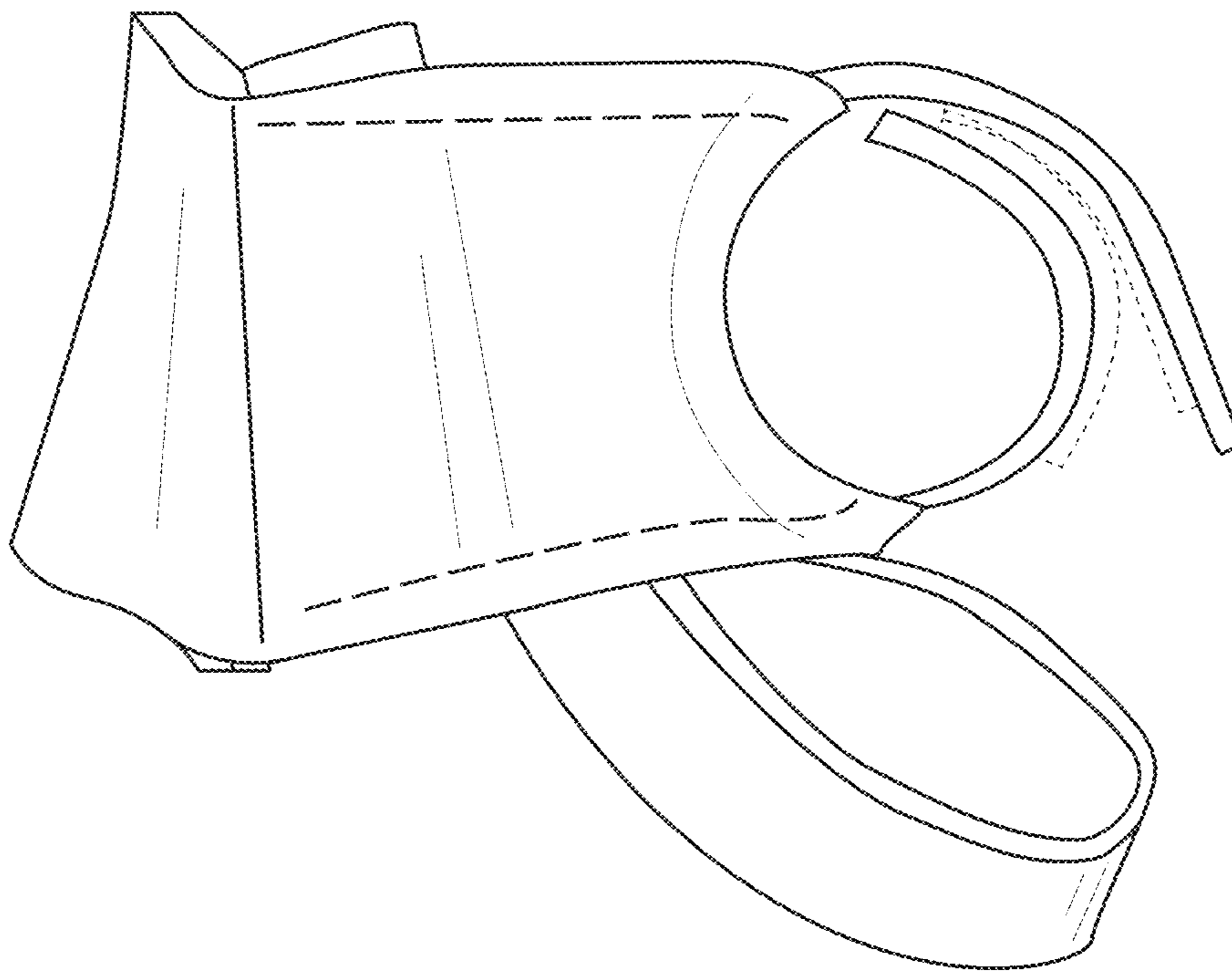


Fig. 7

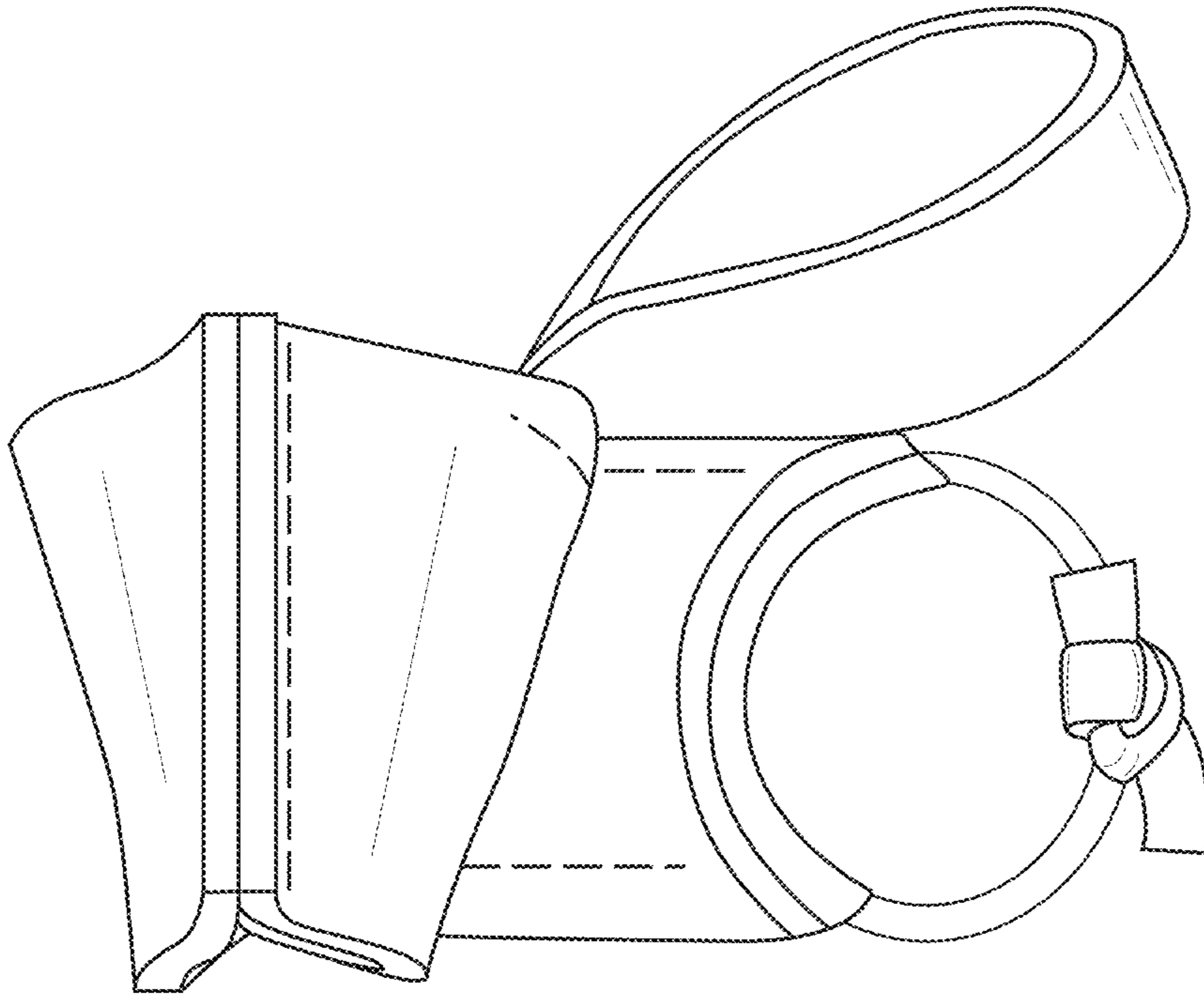


Fig. 9

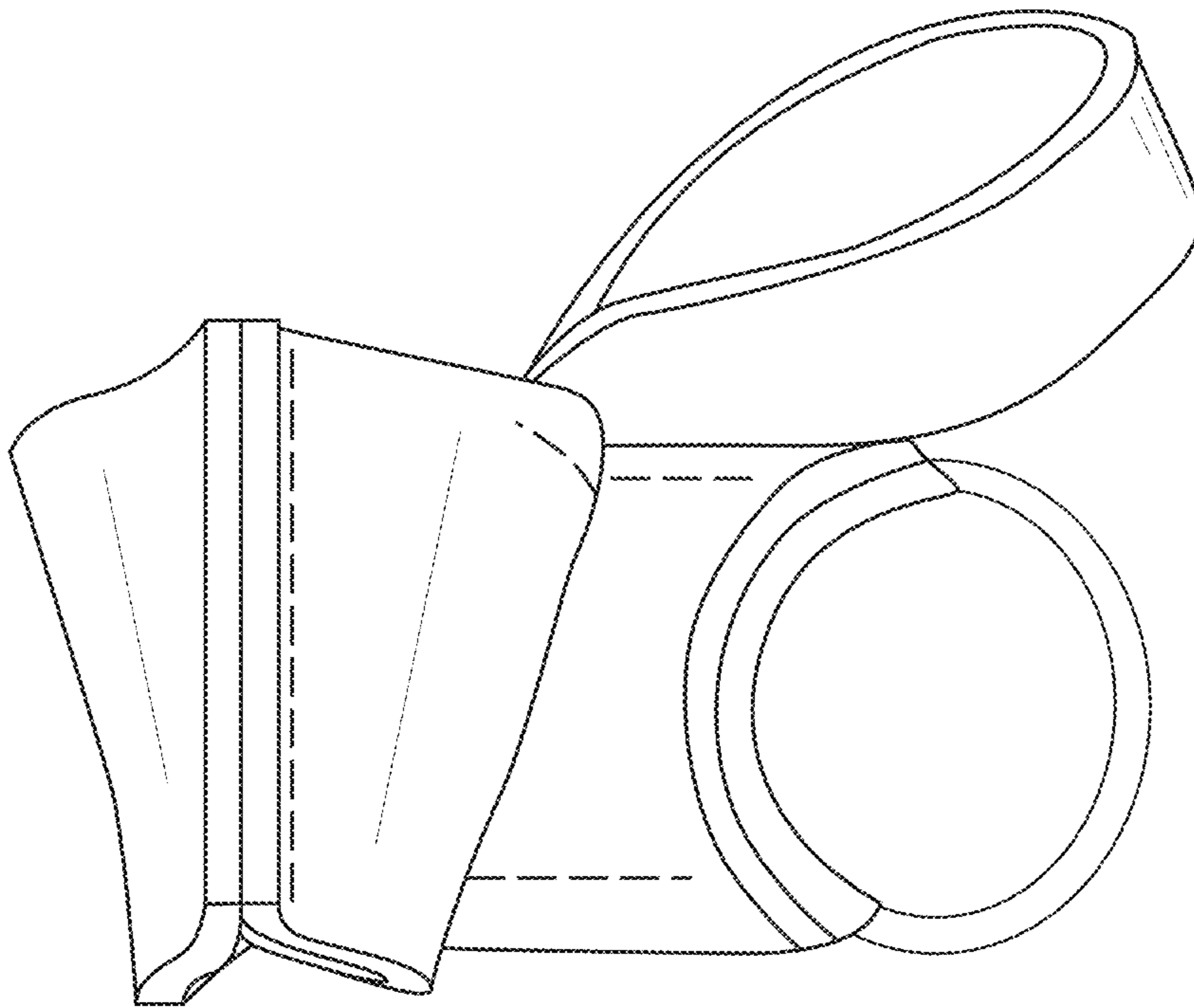


Fig. 10

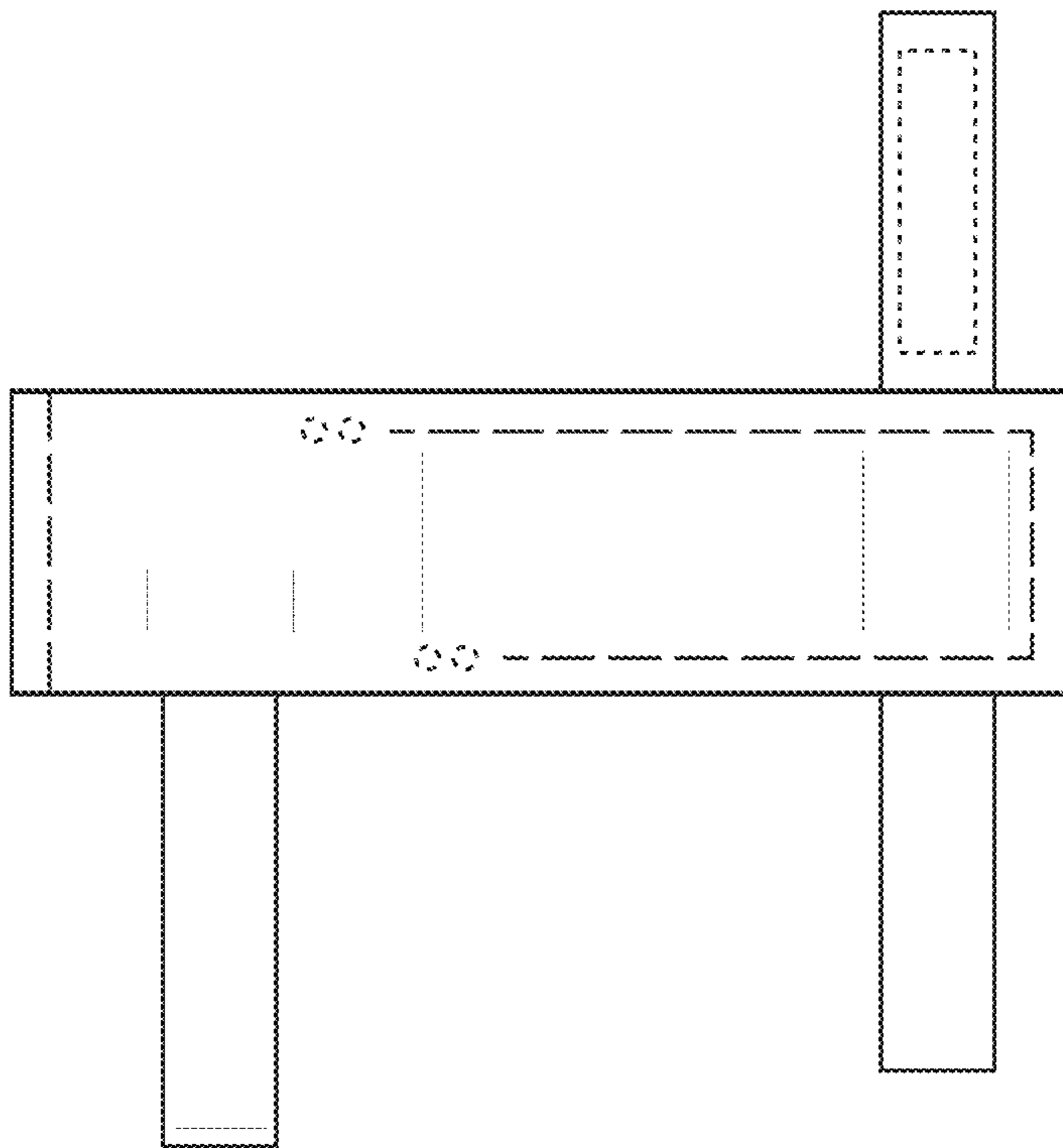


Fig. 11

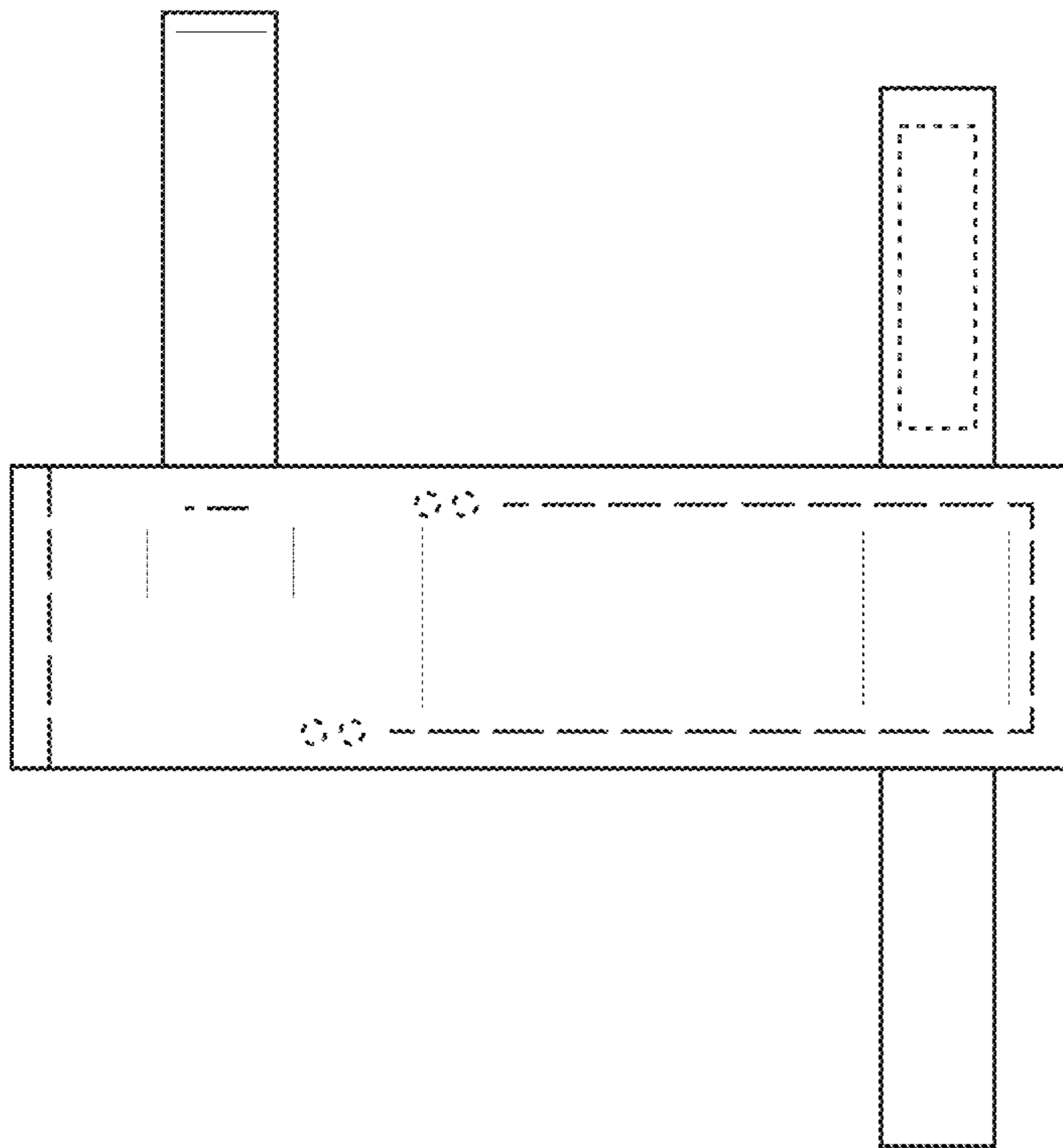


Fig. 12

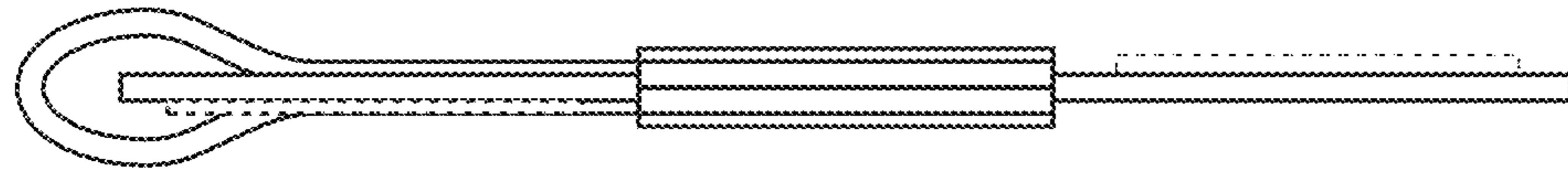


Fig. 13

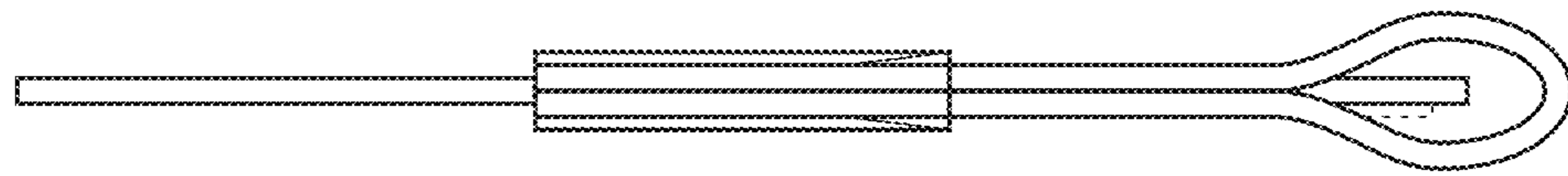


Fig. 14

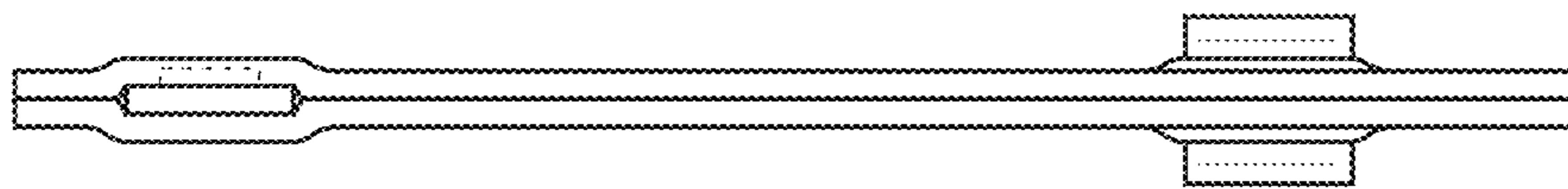


Fig. 15

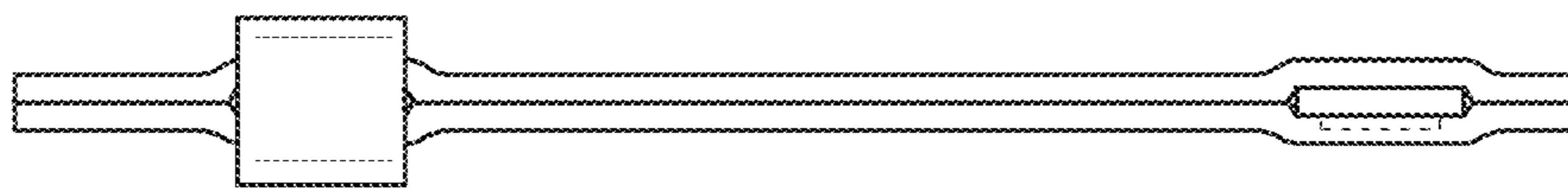


Fig. 16

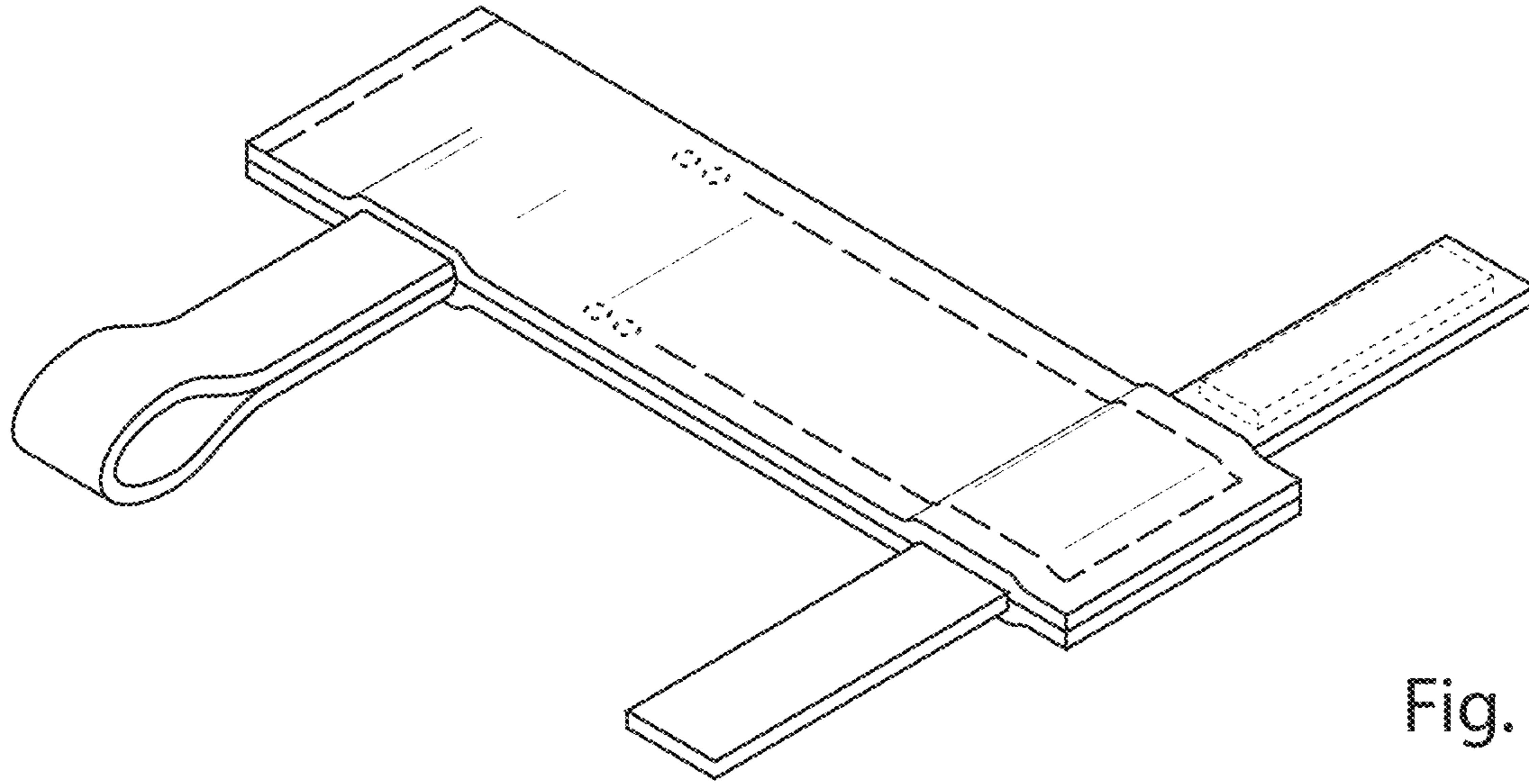


Fig. 17

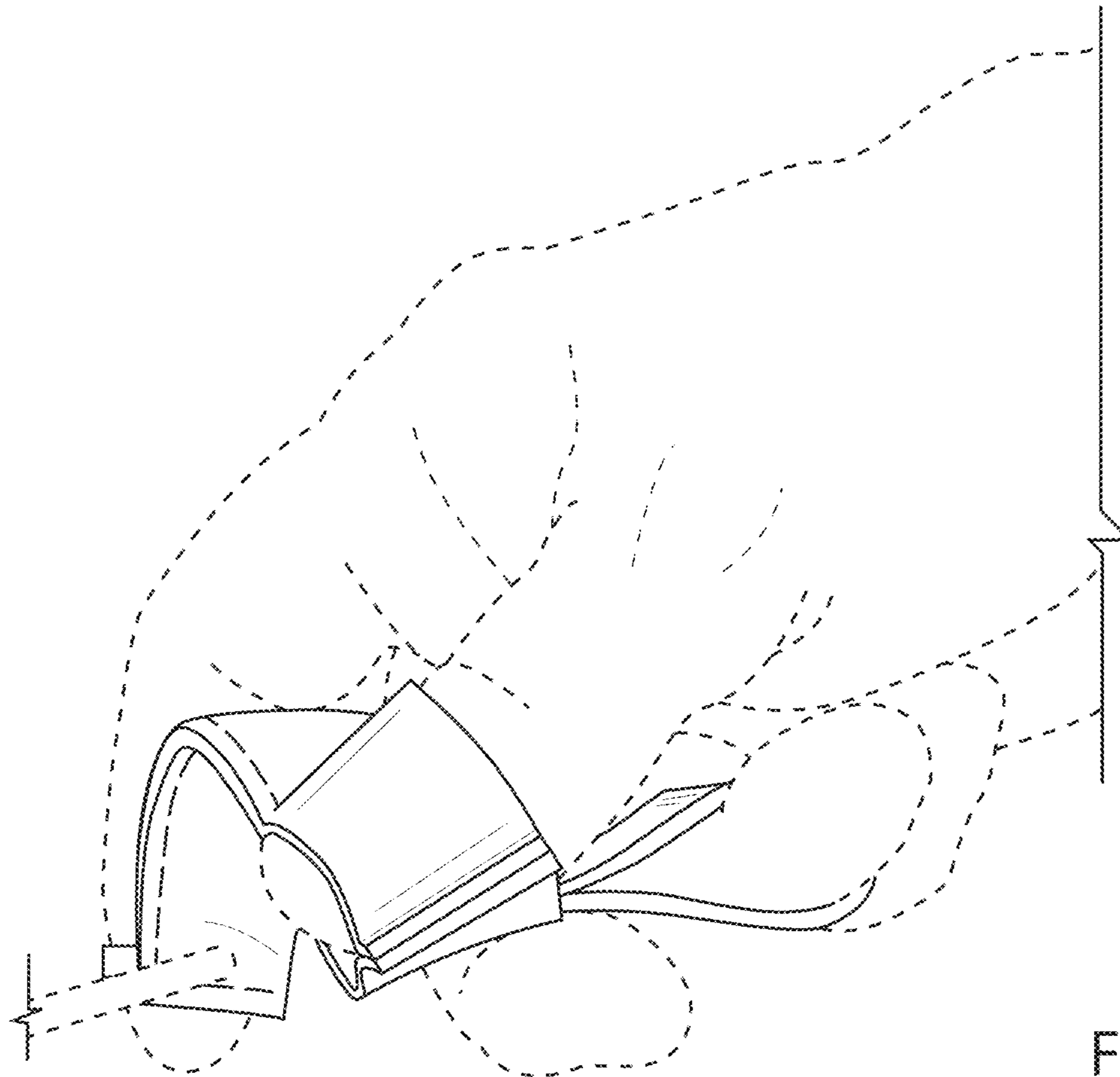


Fig. 18