



US00D909683S

(12) **United States Design Patent** (10) **Patent No.:** **US D909,683 S**  
**Valcke** (45) **Date of Patent:** **\*\* Feb. 2, 2021**

(54) **LIPSTICK CONTAINER**  
(71) Applicant: **PRESTIGE ET COLLECTIONS INTERNATIONAL**, Paris (FR)

D477,227 S \* 7/2003 Goswell ..... D9/529  
D701,346 S \* 3/2014 Hefetz ..... D28/89  
D734,894 S \* 7/2015 Schlatter ..... D28/85

(Continued)

(72) Inventor: **Juliette Valcke**, Paris (FR)  
(73) Assignee: **PRESTIGE ET COLLECTIONS INTERNATIONAL**, Paris (FR)

**OTHER PUBLICATIONS**

Lancome L’Absolu Rouge R New Ruby-Shaped Lipstick, Beauty Almanac, published on Aug. 14, 2019, retrieved on Sep. 30, 2020, retrieved from the Internet URL: <https://www.beautyalmanac.com/article/lancome-labsolu-rouge-r-the-new-ruby-shaped-lipstick/m4200>.\*

(\*\*) Term: **15 Years**

*Primary Examiner* — Jennifer Rivard  
*Assistant Examiner* — Alison M Ofstun  
(74) *Attorney, Agent, or Firm* — Edell, Shapiro & Finnan, LLC

(21) Appl. No.: **29/692,438**

(22) Filed: **May 24, 2019**

(30) **Foreign Application Priority Data**

Nov. 27, 2018 (EM) ..... 0058353450001

(57) **CLAIM**

(51) **LOC (13) Cl.** ..... **28-03**

The ornamental design for a lipstick container, as shown and described.

(52) **U.S. Cl.**  
USPC ..... **D28/85**

**DESCRIPTION**

(58) **Field of Classification Search**  
USPC ..... D28/7, 9, 76–85, 87–90, 99; D9/414, D9/424, 430, 432, 456, 499, 503, 529, D9/516, 556, 686, 738, 566, 651; D11/79  
CPC .... A45D 33/00; A45D 33/003; A45D 33/006; A45D 33/008; A45D 33/025; A45D 33/06; A45D 33/14; A45D 33/18; A45D 33/22; A45D 33/24; A45D 33/26; A45D 34/048; A45D 34/06

FIG. 1 is a front elevation view of a lipstick container.  
FIG. 2 is a rear elevation view of the lipstick container of FIG. 1.  
FIG. 3 is a left side elevation view of the lipstick container of FIG. 1.  
FIG. 4 is a right side elevation view of the lipstick container of FIG. 1.  
FIG. 5 is a top plan view of the lipstick container of FIG. 1.  
FIG. 6 is a bottom plan view of the lipstick container of FIG. 1.  
FIG. 7 is a front, right, top perspective view of the lipstick container of FIG. 1;  
FIG. 8 is a front, left, top perspective view of the lipstick container of FIG. 1;  
FIG. 9 is a rear left, top perspective view of the lipstick container of FIG. 1; and,  
FIG. 10 is a rear right, top perspective view of the lipstick container of FIG. 1.

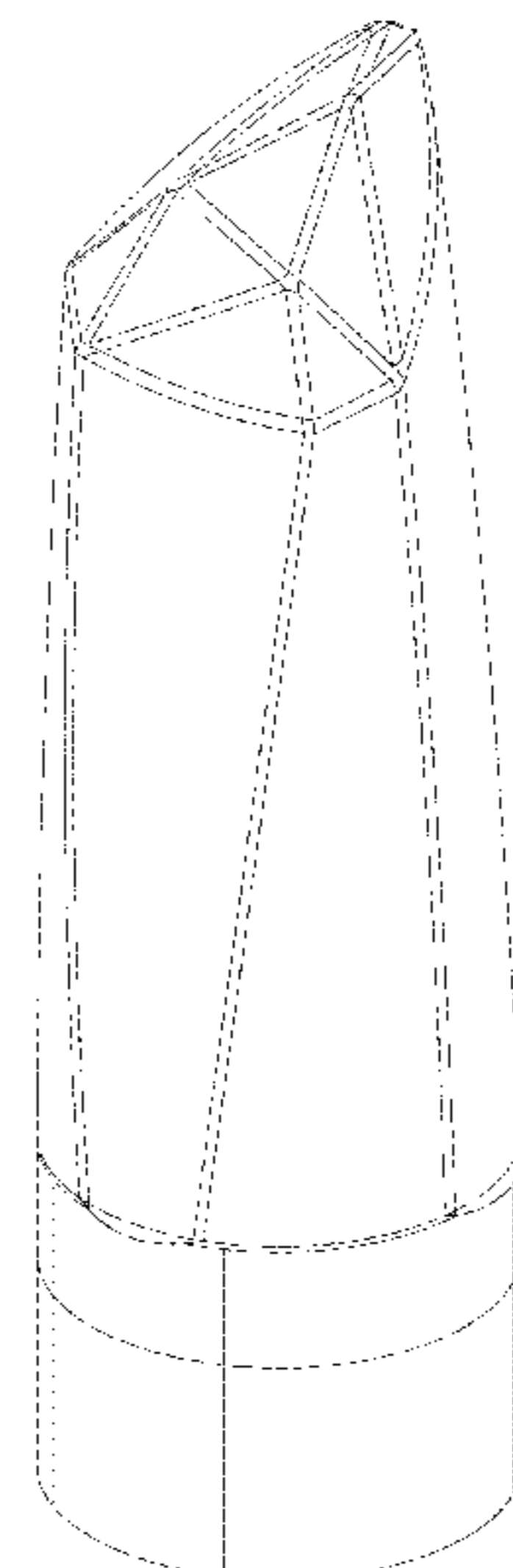
See application file for complete search history.

(56) **References Cited**

**U.S. PATENT DOCUMENTS**

D284,119 S \* 6/1986 Holloway ..... D28/89  
D287,339 S \* 12/1986 Dominski ..... D9/529  
D302,873 S \* 8/1989 Sayn Wittgenstein ..... D28/85  
D311,073 S \* 10/1990 Bakic ..... D28/85  
D314,250 S \* 1/1991 Bakic ..... D28/84  
D369,978 S \* 5/1996 Mohamed ..... D9/529

**1 Claim, 9 Drawing Sheets**



(56)

**References Cited**

U.S. PATENT DOCUMENTS

D752,291 S *	3/2016	Schlatter .....	D28/87
D779,737 S *	2/2017	Salmon .....	D28/85
D780,590 S *	3/2017	Komai .....	D9/566
D849,530 S *	5/2019	Fremgen .....	D9/430
D887,634 S *	6/2020	Ashley .....	D28/7
D893,997 S *	8/2020	Ryan .....	D9/430
D895,427 S *	9/2020	Foote .....	D9/529
D895,429 S *	9/2020	Foote .....	D9/559
2017/0013936 A1 *	1/2017	Schlatter .....	A45D 33/02

\* cited by examiner

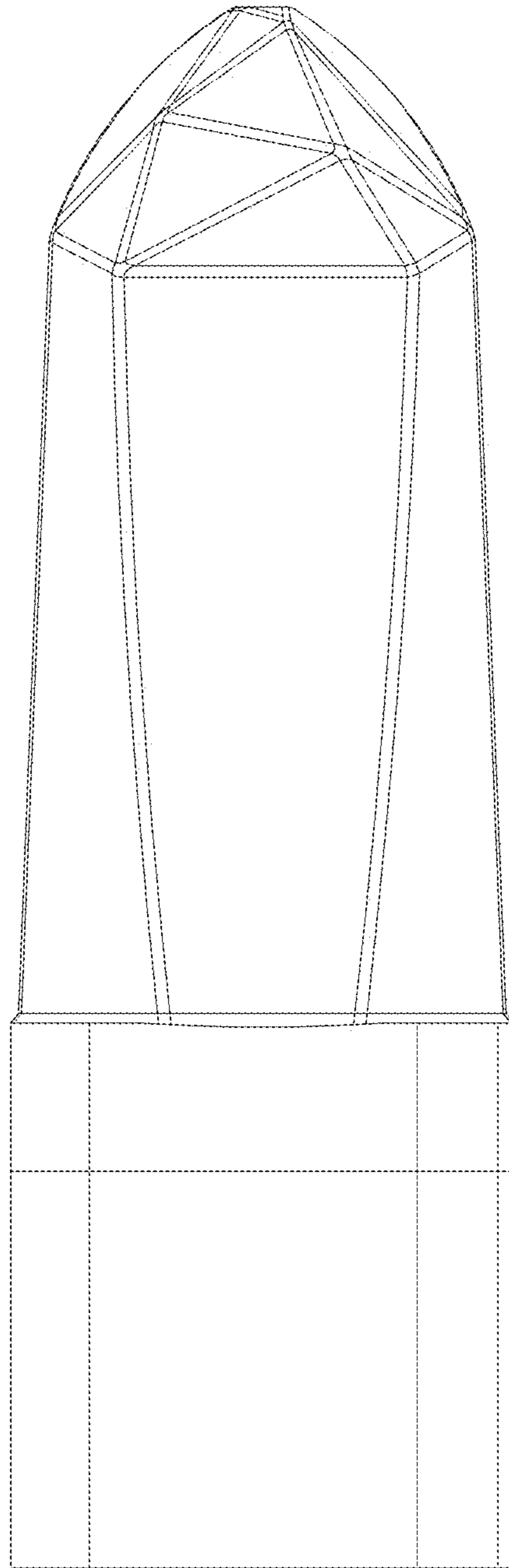


FIG.1

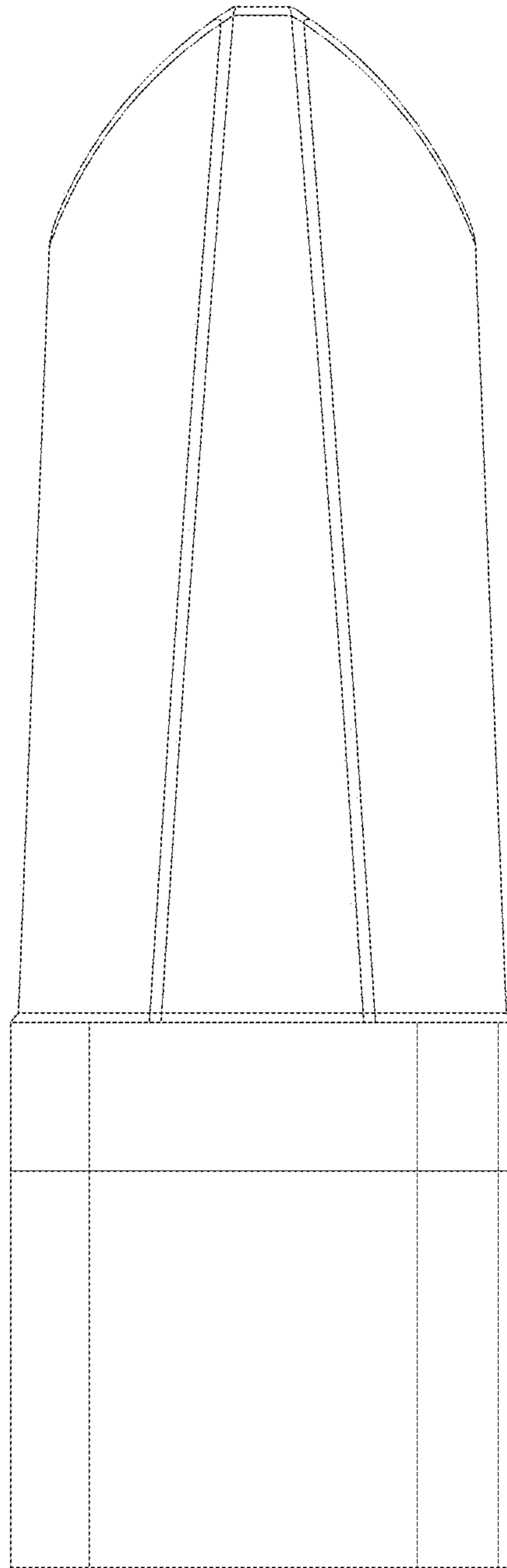


FIG.2

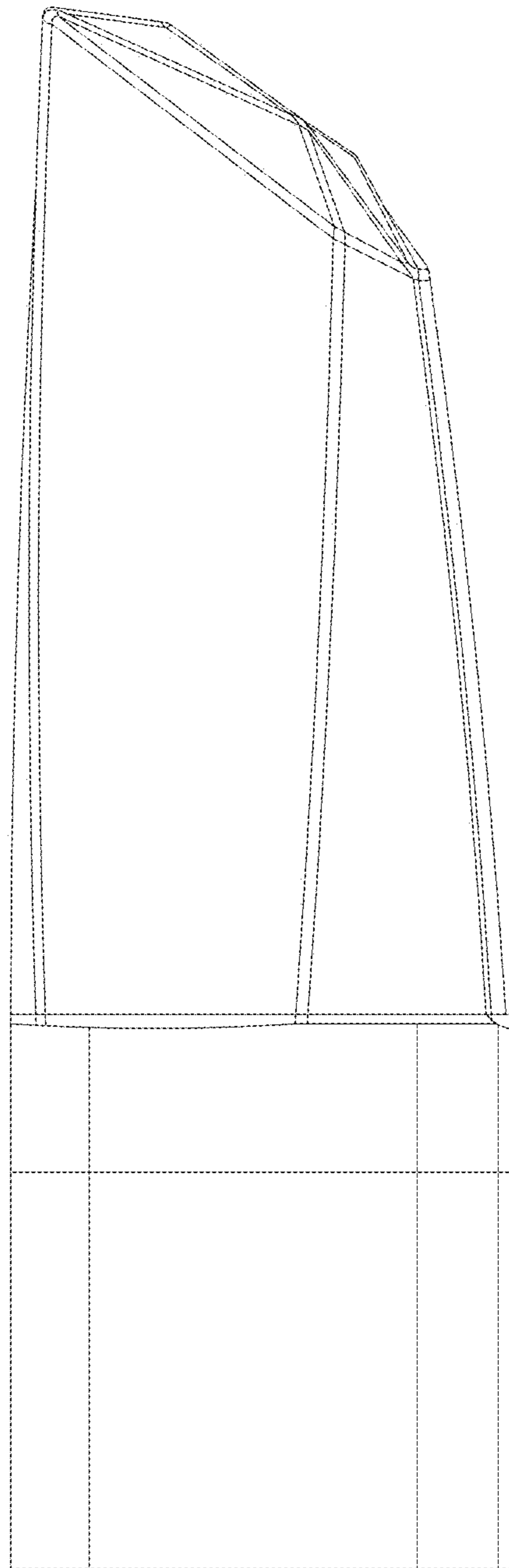


FIG.3

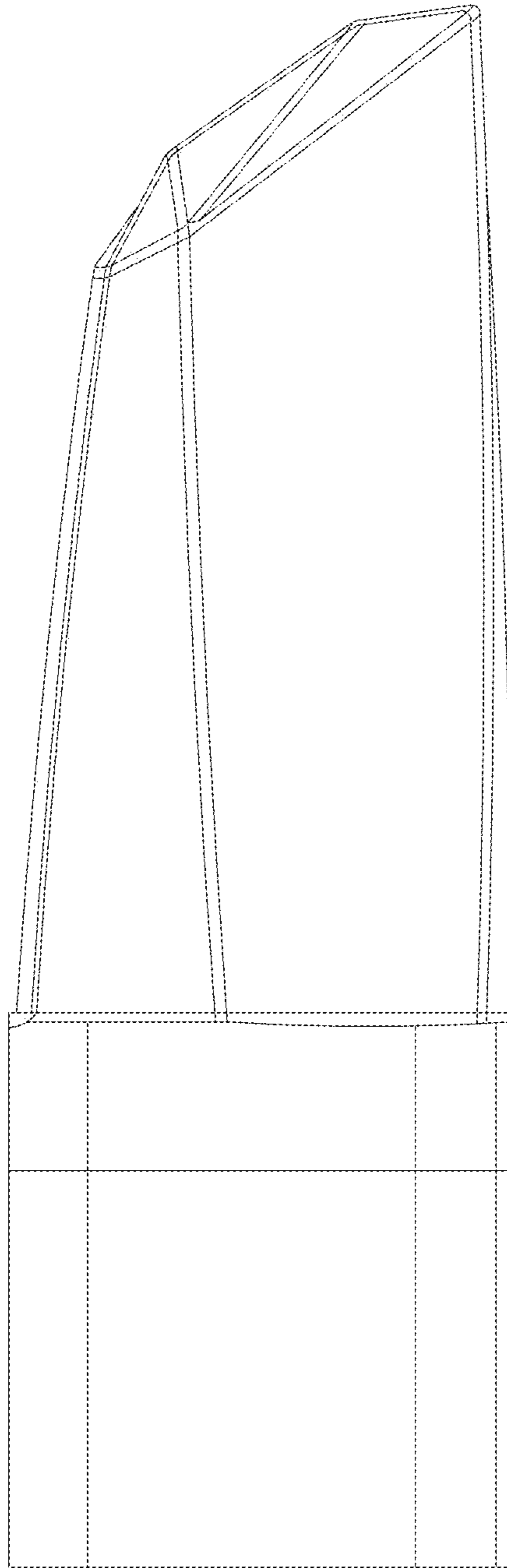


FIG.4

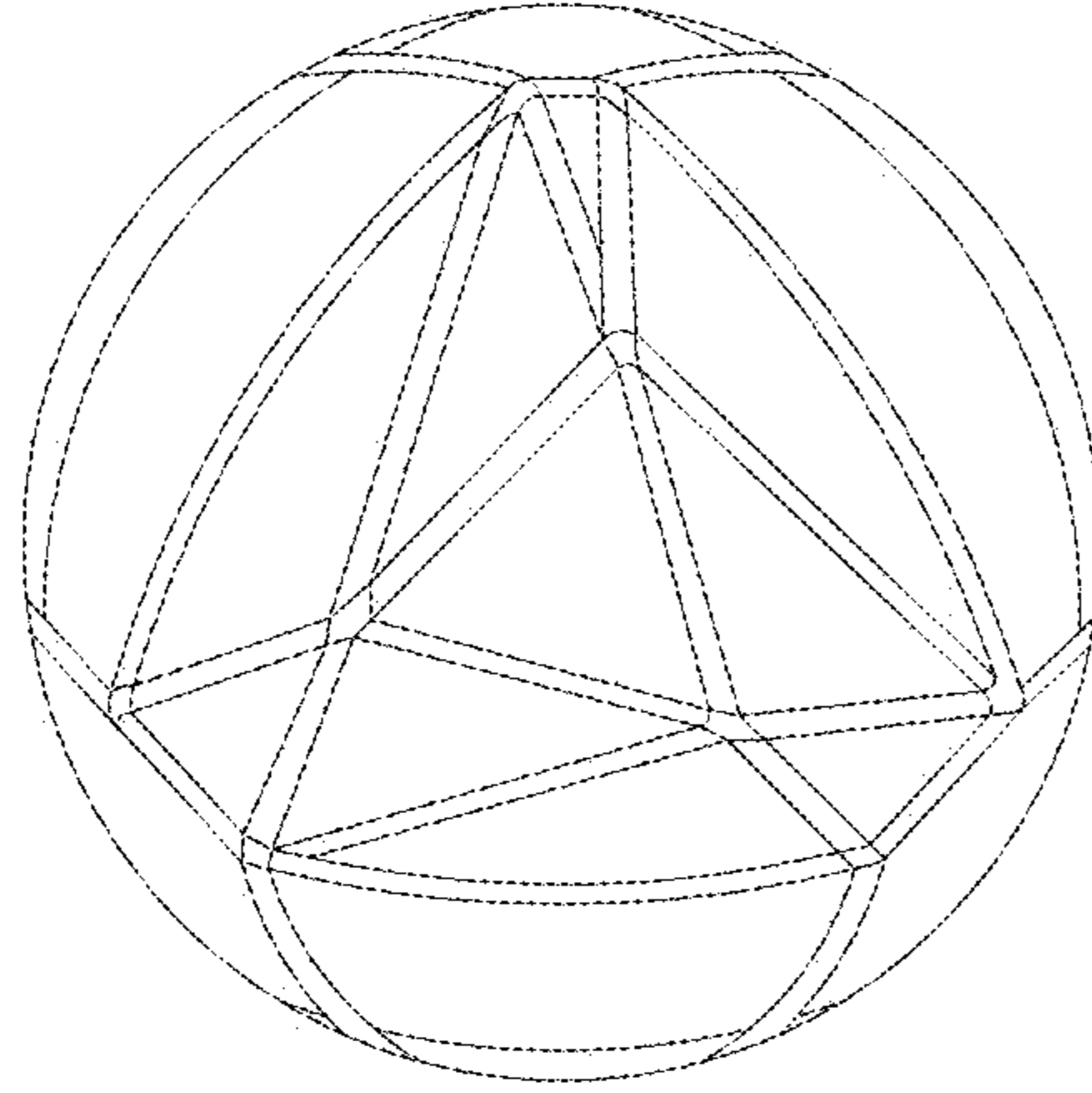


FIG.5

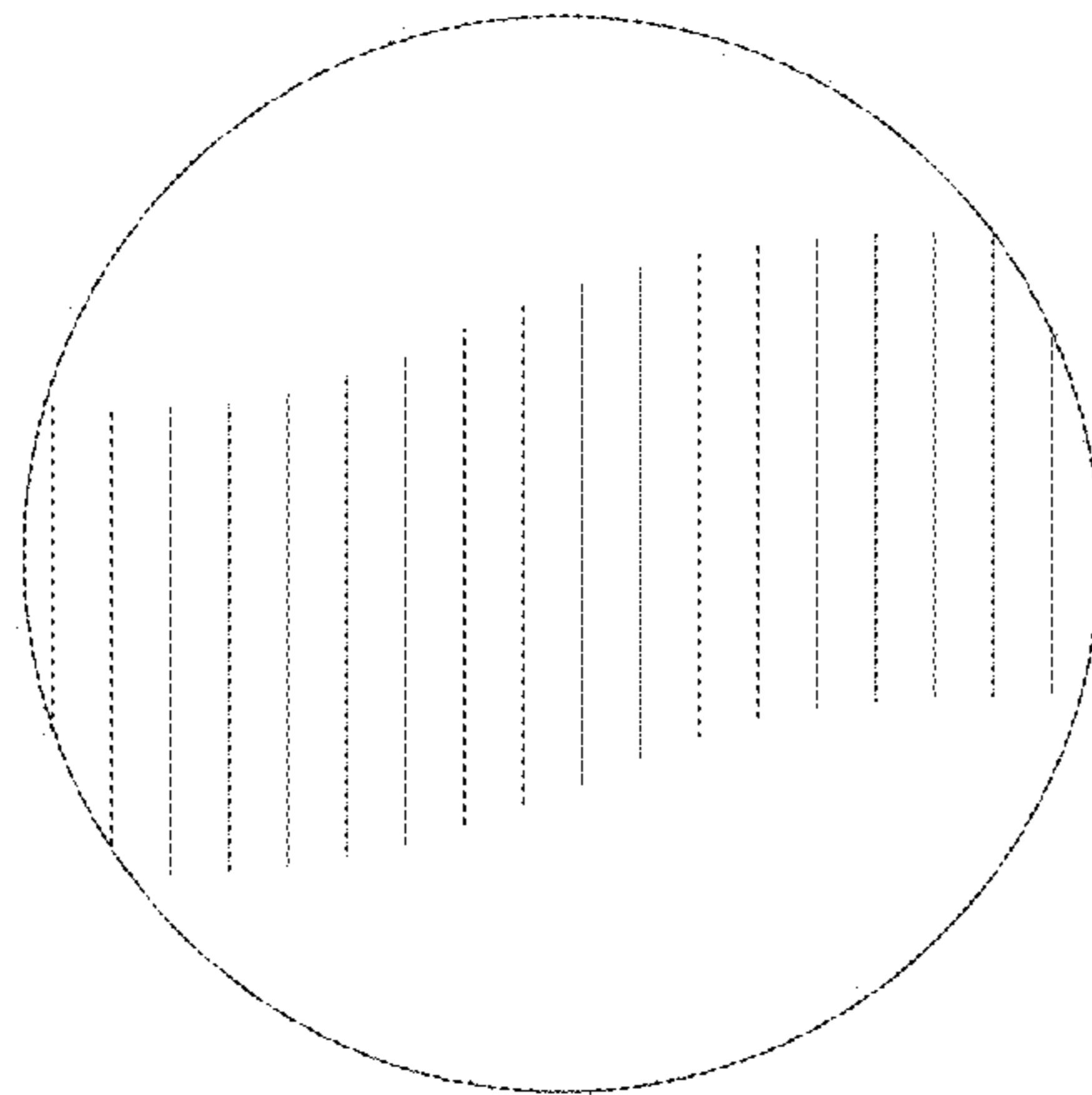


FIG.6

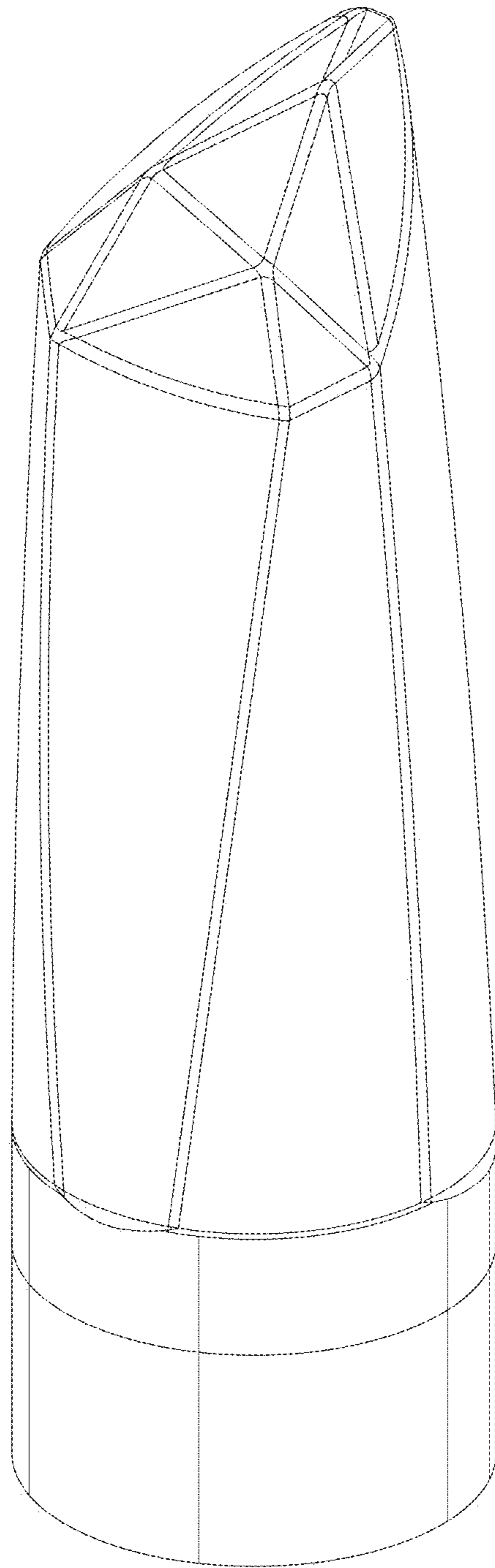


FIG. 7



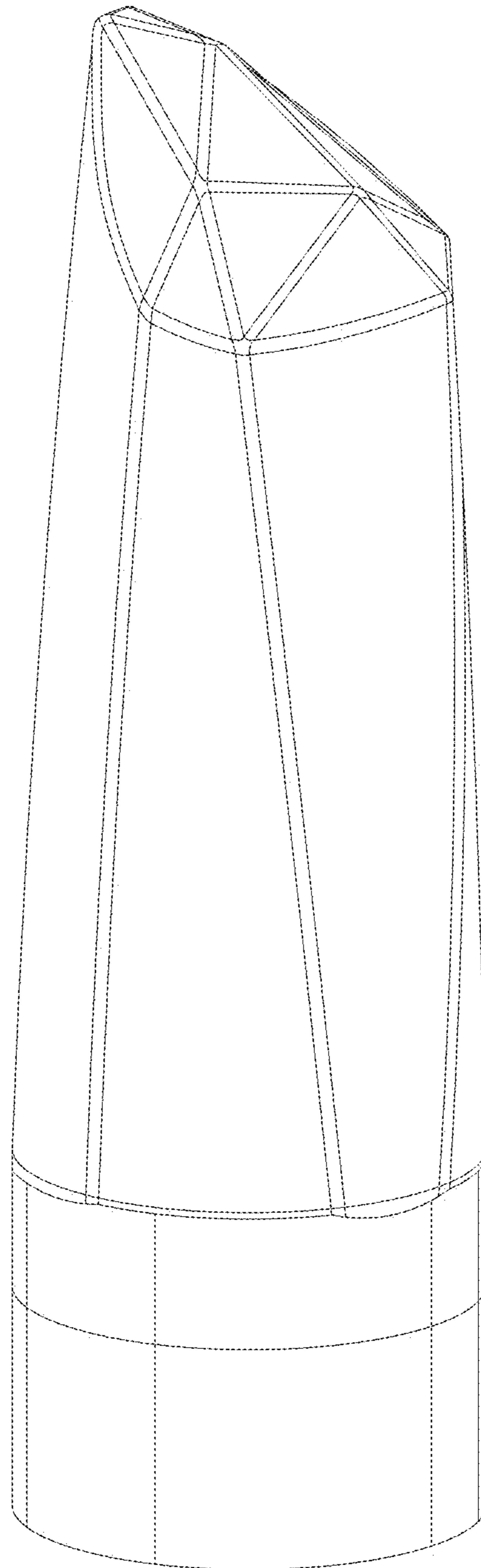


FIG.8

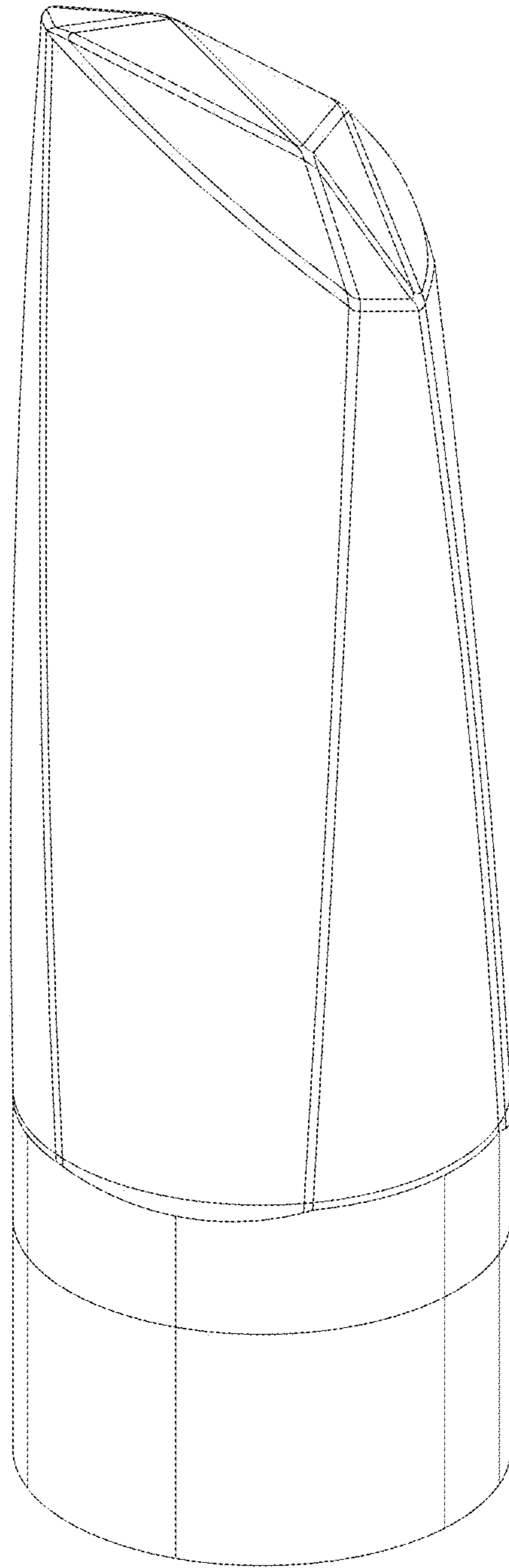


FIG. 9

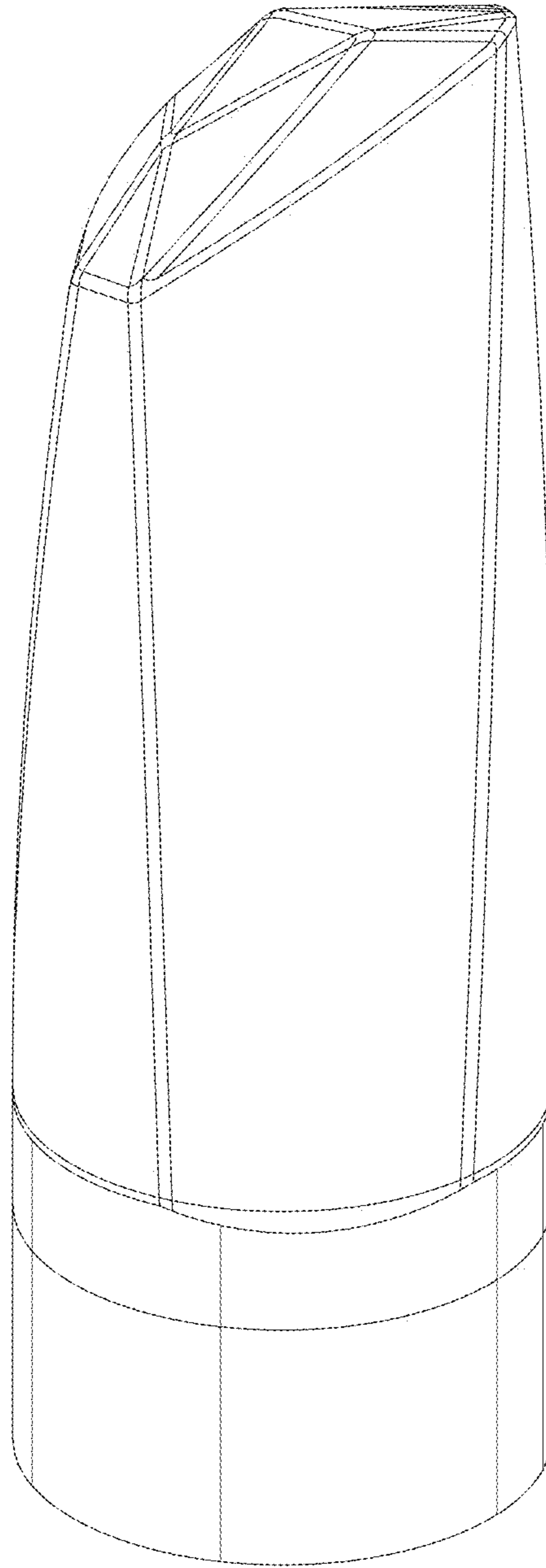


FIG.10