



US00D909680S

(12) **United States Design Patent** (10) **Patent No.:** **US D909,680 S**  
**Hussain et al.** (45) **Date of Patent:** **\*\* Feb. 2, 2021**

(54) **TWEEZERS**  
(71) Applicants: **Muhammad Hussain**, Highland Park, NJ (US); **Farah Hussain**, Highland Park, NJ (US)  
(72) Inventors: **Muhammad Hussain**, Highland Park, NJ (US); **Farah Hussain**, Highland Park, NJ (US)

(\*\*) Term: **15 Years**

(21) Appl. No.: **29/694,396**

(22) Filed: **Jun. 10, 2019**

(51) **LOC (13) Cl.** ..... **28-03**

(52) **U.S. Cl.**  
USPC ..... **D28/55; D24/143**

(58) **Field of Classification Search**  
USPC ..... D28/9, 55-57; D24/143; D7/686  
CPC ... A61B 17/50; A61B 17/30; A61B 2017/505;  
A61B 2017/30; A61B 2017/2946  
See application file for complete search history.

(56) **References Cited**

**U.S. PATENT DOCUMENTS**

1,386,436 A \* 8/1921 Smith ..... A61B 17/30  
294/99.2  
D627,103 S \* 11/2010 Cho ..... D28/55  
D716,498 S \* 10/2014 Wolff ..... D28/55  
D738,611 S \* 9/2015 Gupta ..... D3/18  
D753,881 S 4/2016 Hussain  
D784,615 S \* 4/2017 Choi ..... D28/36  
9,751,194 B2 9/2017 Hussain  
D809,207 S 1/2018 Hussain  
D811,661 S 2/2018 Hussain  
D812,304 S 3/2018 Hussain  
D818,123 S 5/2018 Hussain  
D828,629 S 9/2018 Hussain  
D840,104 S 2/2019 Hussain  
D863,679 S \* 10/2019 Lotti ..... D28/7

2005/0166939 A1\* 8/2005 Stroud ..... A45D 40/30  
132/216  
2006/0129187 A1\* 6/2006 Cho ..... A61B 17/30  
606/210  
2014/0325846 A1 11/2014 Hussain  
2015/0289626 A1\* 10/2015 Abdullah ..... A45D 26/0066  
606/133  
2016/0279766 A1\* 9/2016 Hussain ..... B25B 9/02

**FOREIGN PATENT DOCUMENTS**

KR 300998666.0000 \* 5/2018

**OTHER PUBLICATIONS**

Z-Tweeze Dual Ended Tweezer [online], [site visited Nov. 19, 2020]. Available from internet, URL:<<https://www.shopfarah.com/collections/z-tweeze/products/z-tweeze%C2%AE-dual-ended-tweezer-gold-collection>> (Year: 2020).\*

\* cited by examiner

*Primary Examiner* — Cynthia Ramirez  
*Assistant Examiner* — Xavier Marti-Santos

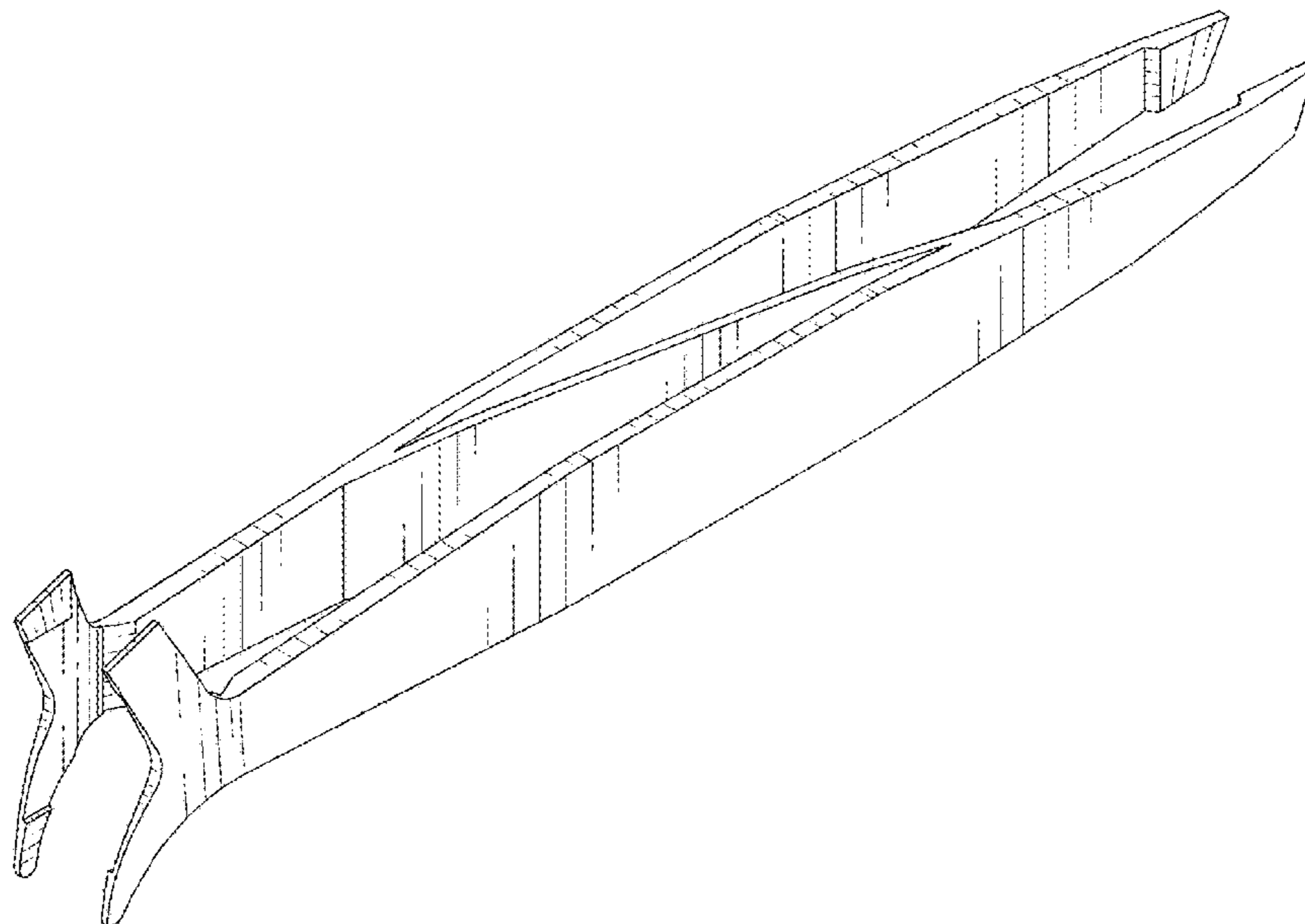
(57) **CLAIM**

The ornamental design for tweezers, as shown and described.

**DESCRIPTION**

FIG. 1 is a top perspective view of tweezers showing our new design;  
FIG. 2 is a bottom perspective view thereof;  
FIG. 3 is a front elevational view thereof;  
FIG. 4 is a rear elevational view thereof;  
FIG. 5 is a top plan view thereof;  
FIG. 6 is a bottom plan view thereof;  
FIG. 7 is a right elevational view thereof; and,  
FIG. 8 is a left elevational view thereof.

**1 Claim, 8 Drawing Sheets**



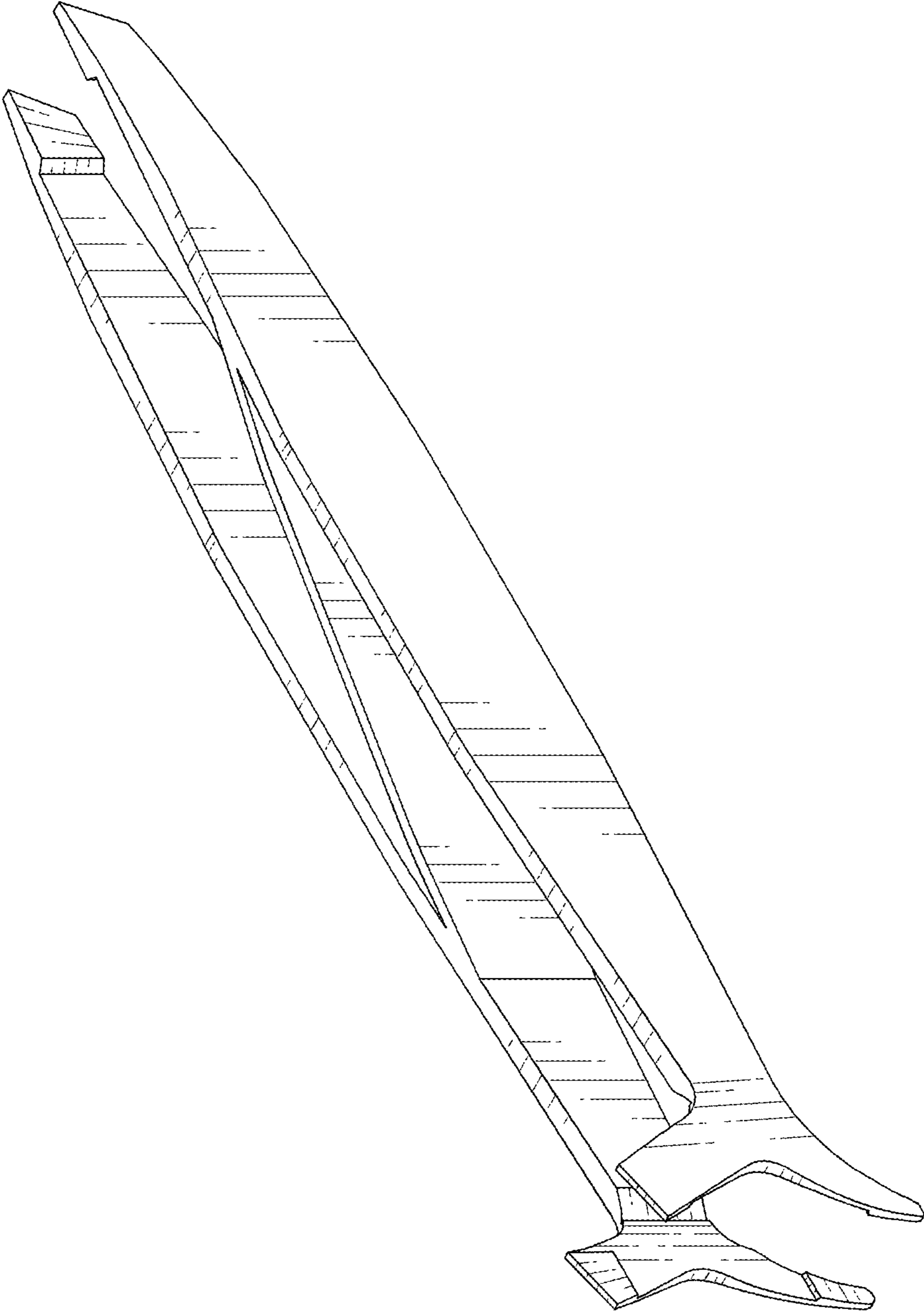


FIG. 1

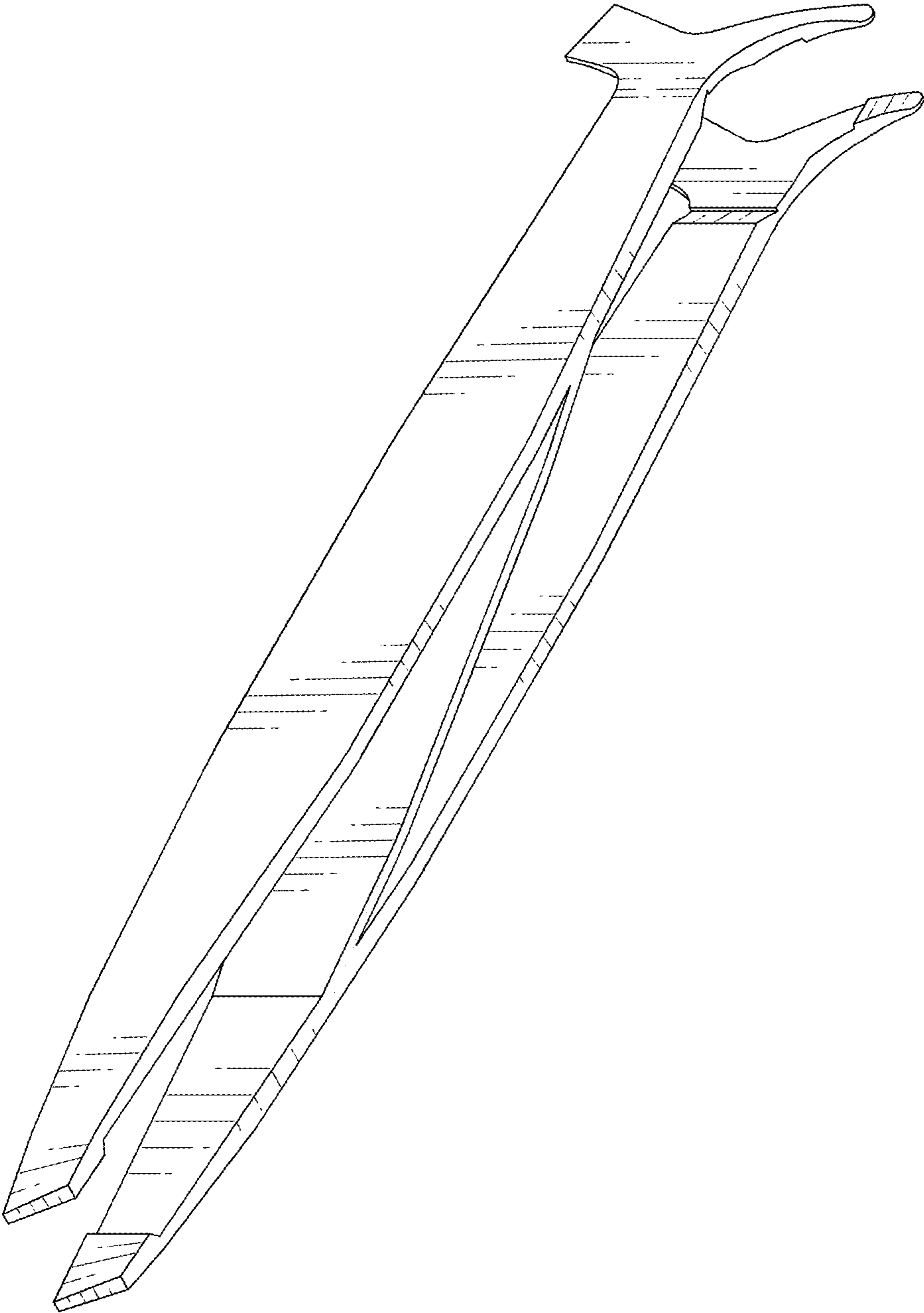


FIG. 2

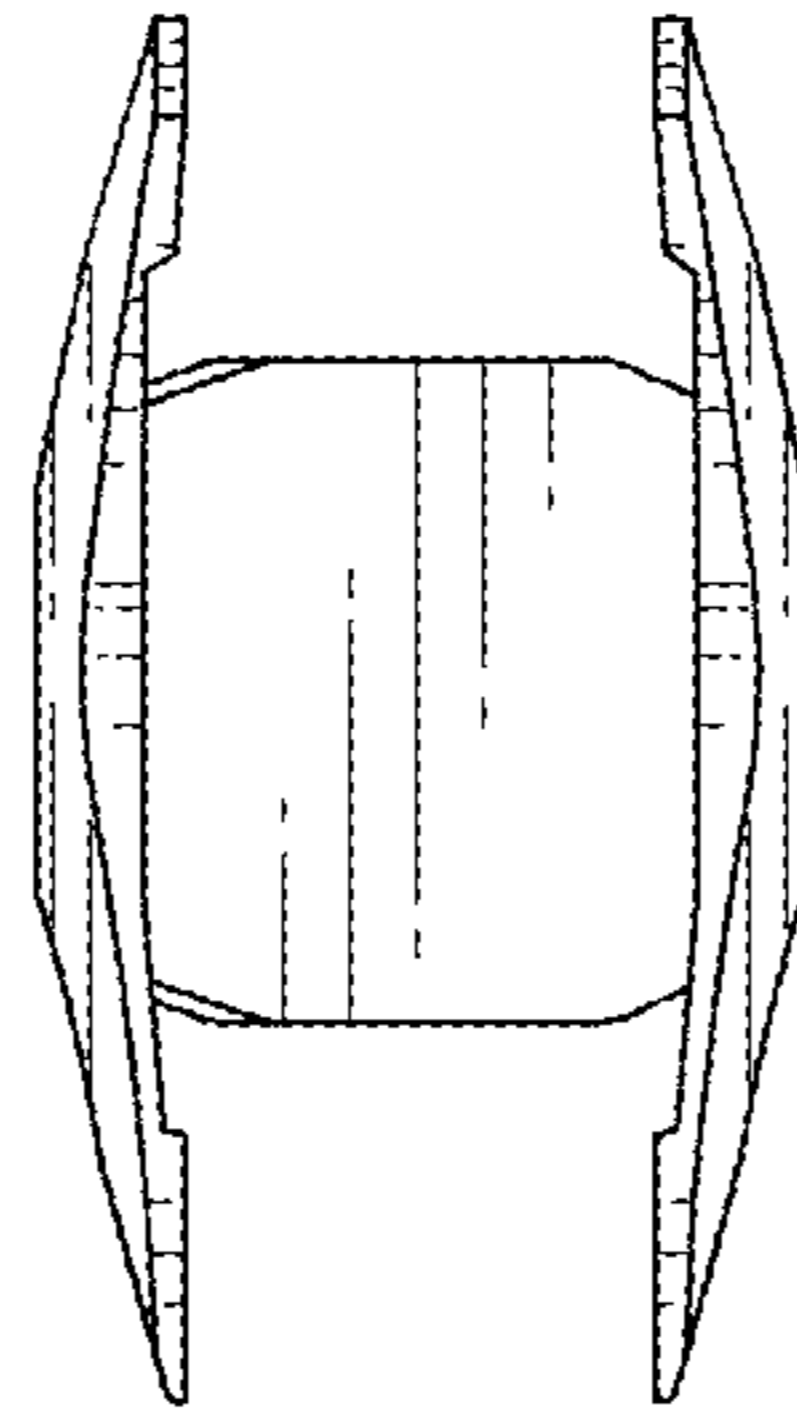


FIG. 3

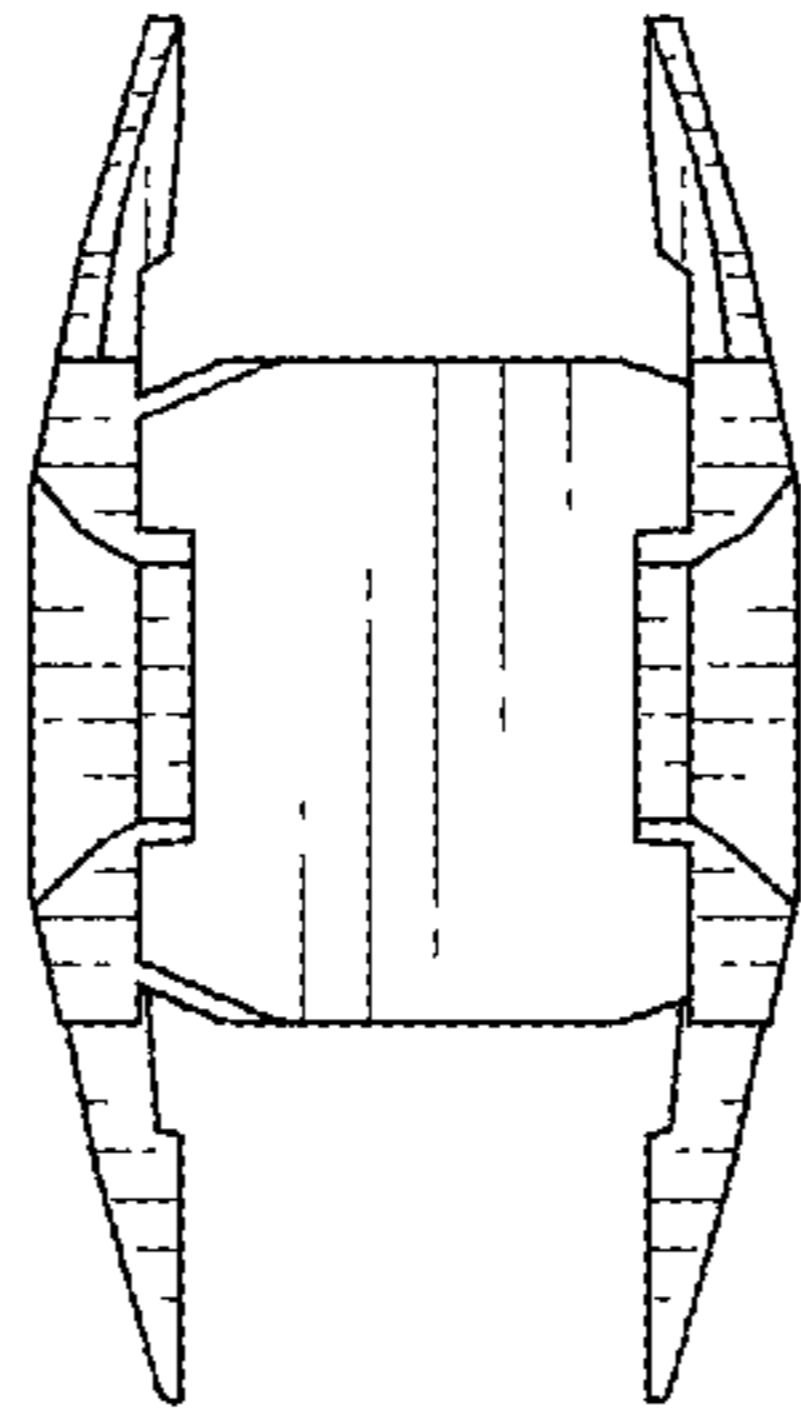


FIG. 4

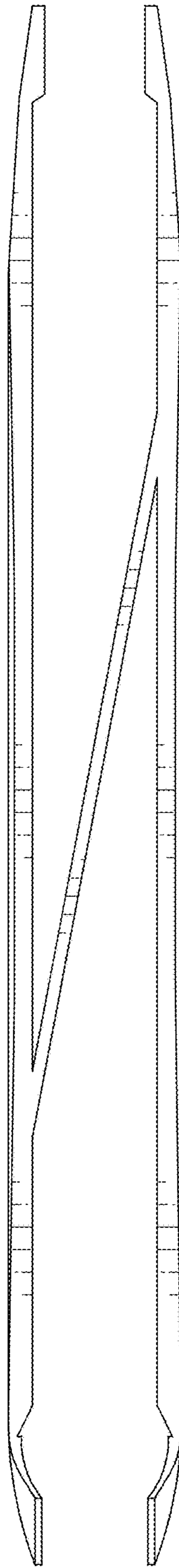


FIG. 5

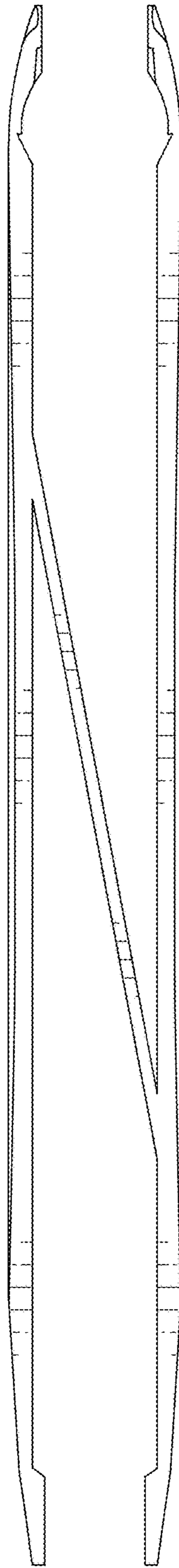


FIG. 6

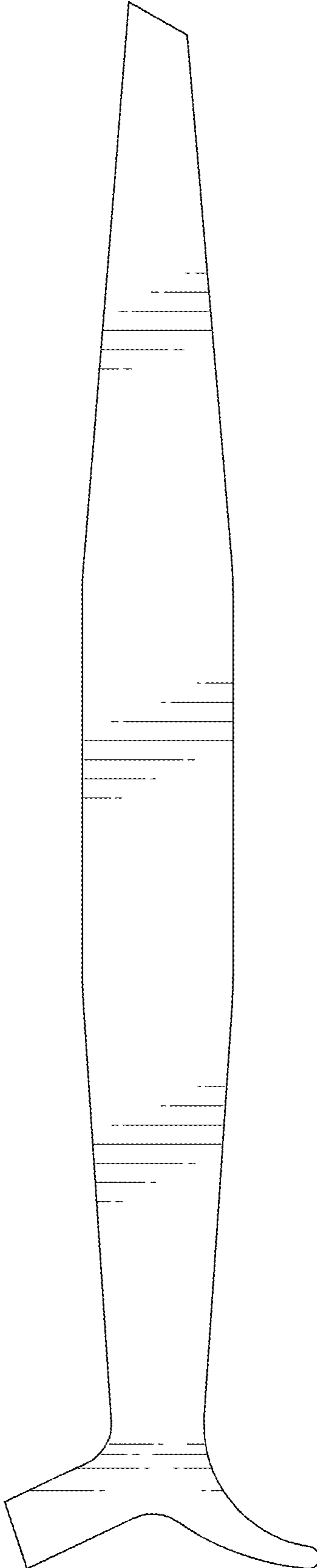


FIG. 7



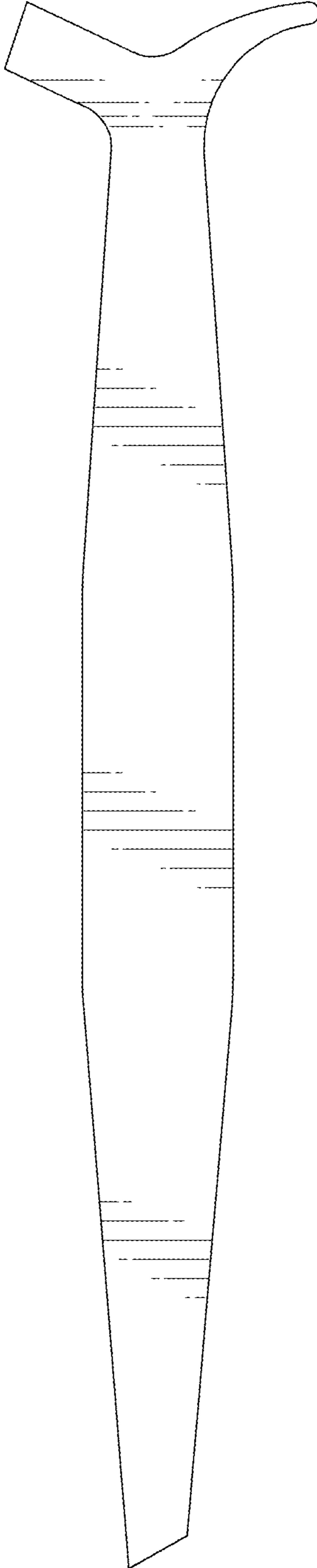


FIG. 8