



US00D909677S

(12) **United States Design Patent** (10) **Patent No.:** **US D909,677 S**
Su (45) **Date of Patent:** **** Feb. 2, 2021**

(54) **HAIR STRAIGHTENER**

(71) Applicant: **Feiyan Su**, Yangchun (CN)
(72) Inventor: **Feiyan Su**, Yangchun (CN)
(**) Term: **15 Years**

(21) Appl. No.: **29/719,342**

(22) Filed: **Jan. 3, 2020**

(51) **LOC (13) Cl.** **28-03**

(52) **U.S. Cl.**
USPC **D28/35**

(58) **Field of Classification Search**
USPC D28/10, 35, 37, 38
CPC A45D 2/00; A45D 2001/045; A45D 1/16;
A45D 1/04; A45D 1/18; A45D 1/06-14;
A45D 2/02-10; A45D 2/38-42; A45D
2/001-002

See application file for complete search history.

(56) **References Cited**

U.S. PATENT DOCUMENTS

D581,592 S	*	11/2008	Hein	D28/35
D627,514 S	*	11/2010	Kim	D28/35
D627,925 S	*	11/2010	Nenadich	D28/35
D629,156 S	*	12/2010	Kim	D28/35
D650,130 S	*	12/2011	Hein	D28/35
D716,497 S	*	10/2014	Renault	D28/35
D719,296 S	*	12/2014	Brady	D28/35
D867,659 S	*	11/2019	Zhou	D28/35
D874,724 S	*	2/2020	Deffrennes	D28/35
D875,311 S	*	2/2020	Yang	D28/35

FOREIGN PATENT DOCUMENTS

CN 305795897 * 11/2019

OTHER PUBLICATIONS

Ghd Platinum+ Hair Straightener [online], [site visited Oct. 21, 2020]. Available from internet, URL:<https://www.amazon.com/ghd-Platinum-Professional-Performance-Styler/dp/B07F7Q4PTN/ref=sr_1_64?crd=20HGGWZ6P73XO&dchild=1&keyword%E2%80%A6> (Year: 2018).*

* cited by examiner

Primary Examiner — Cynthia Ramirez
Assistant Examiner — Xavier Marti-Santos

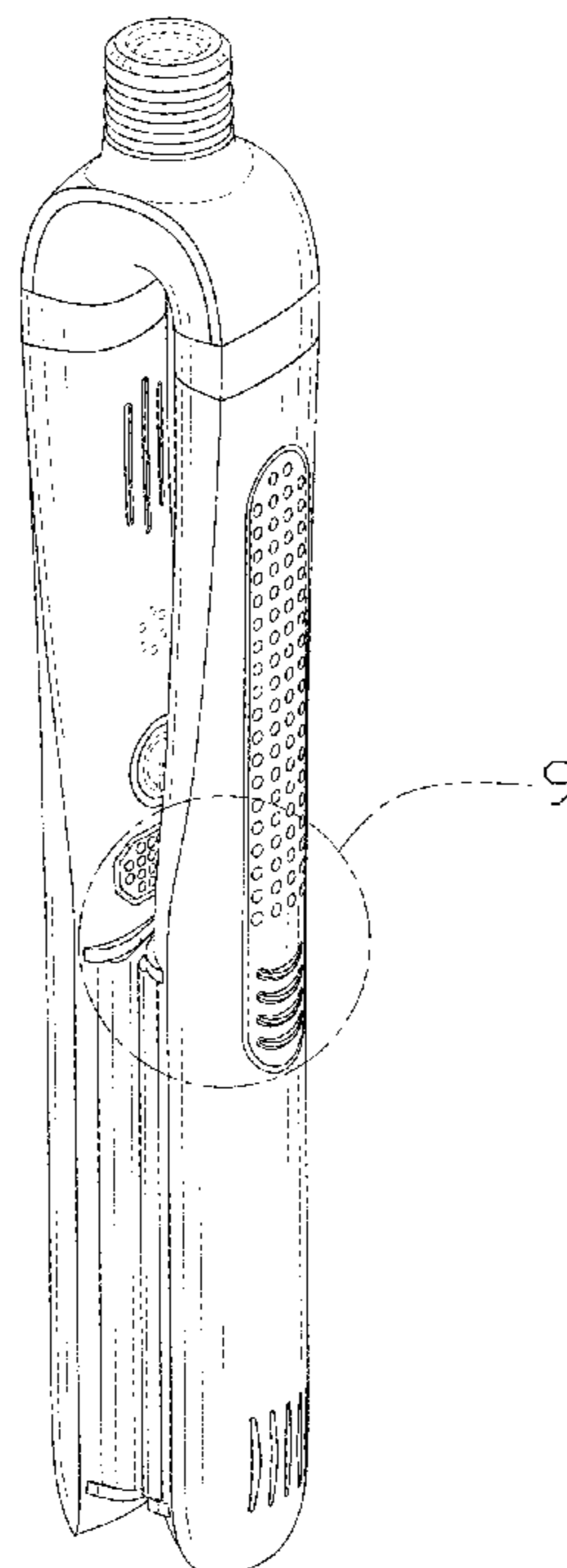
(57) **CLAIM**

The ornamental design for a hair straightener, as shown and described.

DESCRIPTION

FIG. 1 is a perspective view of a hair straightener showing my new design;
FIG. 2 is another perspective view thereof;
FIG. 3 is a front elevational view thereof;
FIG. 4 is a rear elevational view thereof;
FIG. 5 is a left side elevational view thereof;
FIG. 6 is a right side elevational view thereof;
FIG. 7 is a top plan view thereof;
FIG. 8 is a bottom plan view thereof; and,
FIG. 9 is an enlarged view of portion 9 shown in FIG. 1.
The broken lines in the drawings depict portions of the hair straightener that form no part of the claimed design. The dash-dot broken lines in FIGS. 1 and 9 are to show an enlargement and form no part of the claimed design.

1 Claim, 9 Drawing Sheets



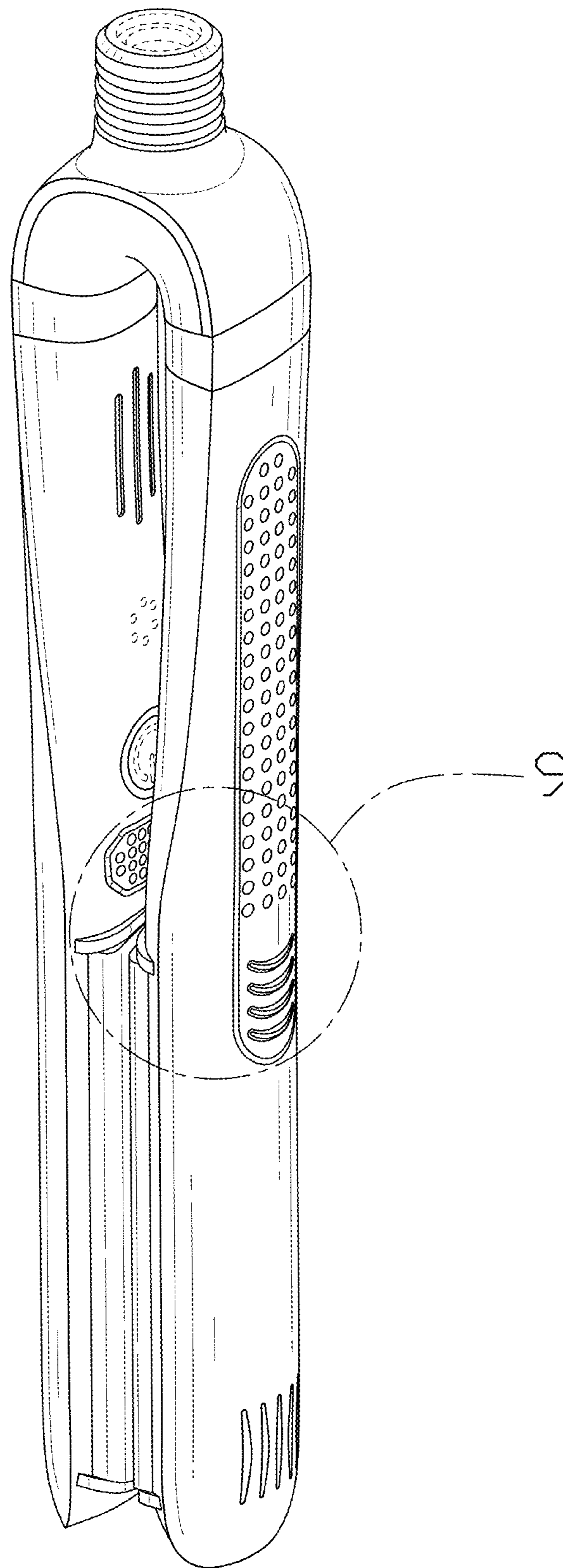


FIG. 1

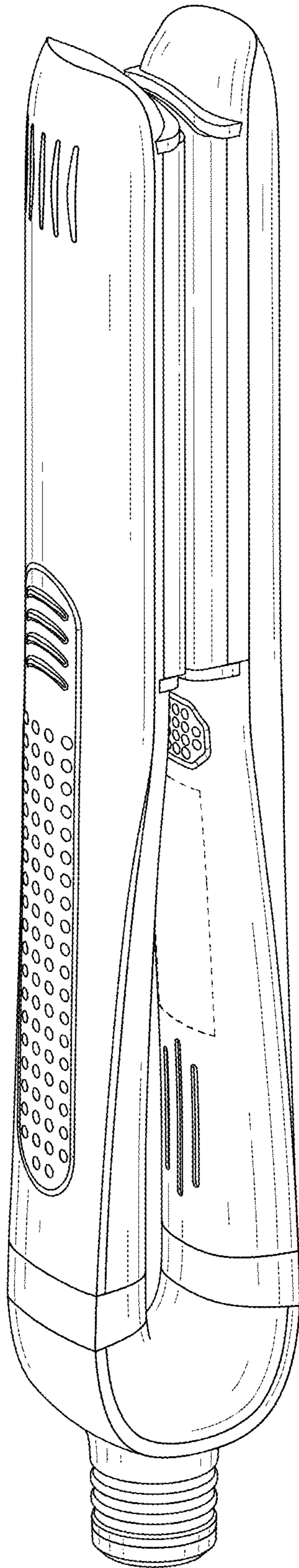


FIG. 2

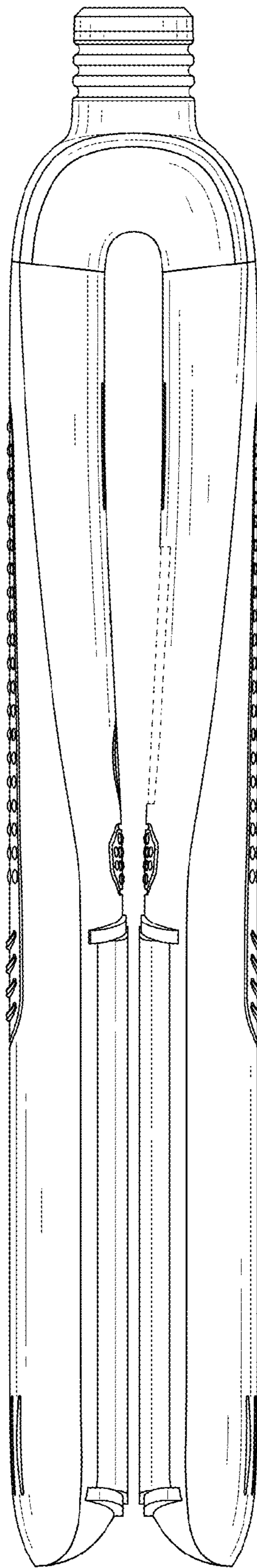


FIG. 3

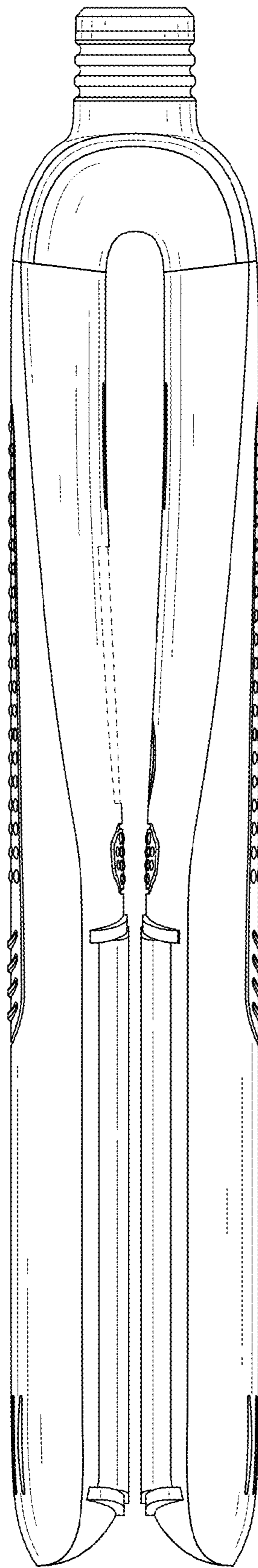


FIG. 4

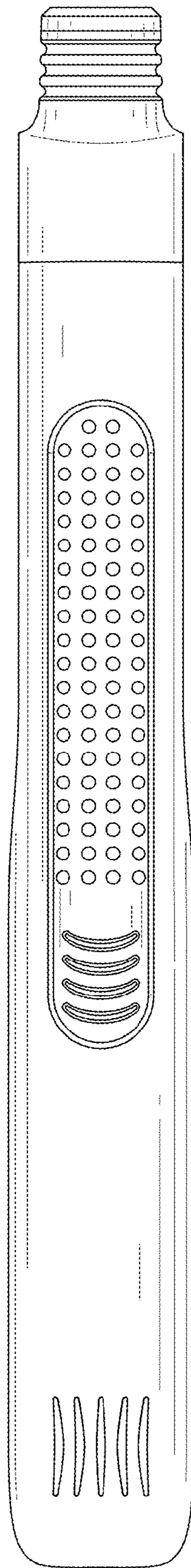


FIG. 5

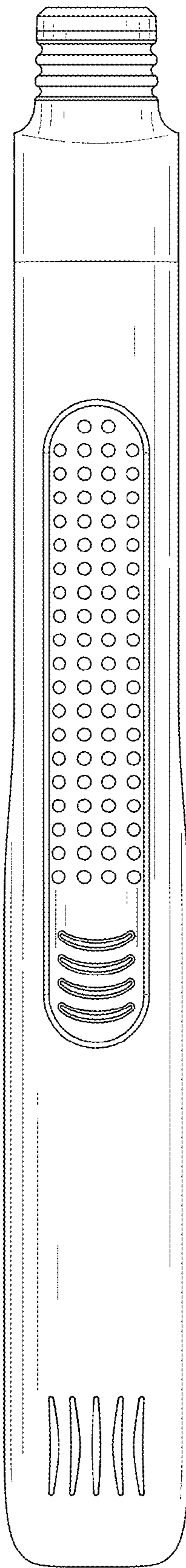


FIG. 6

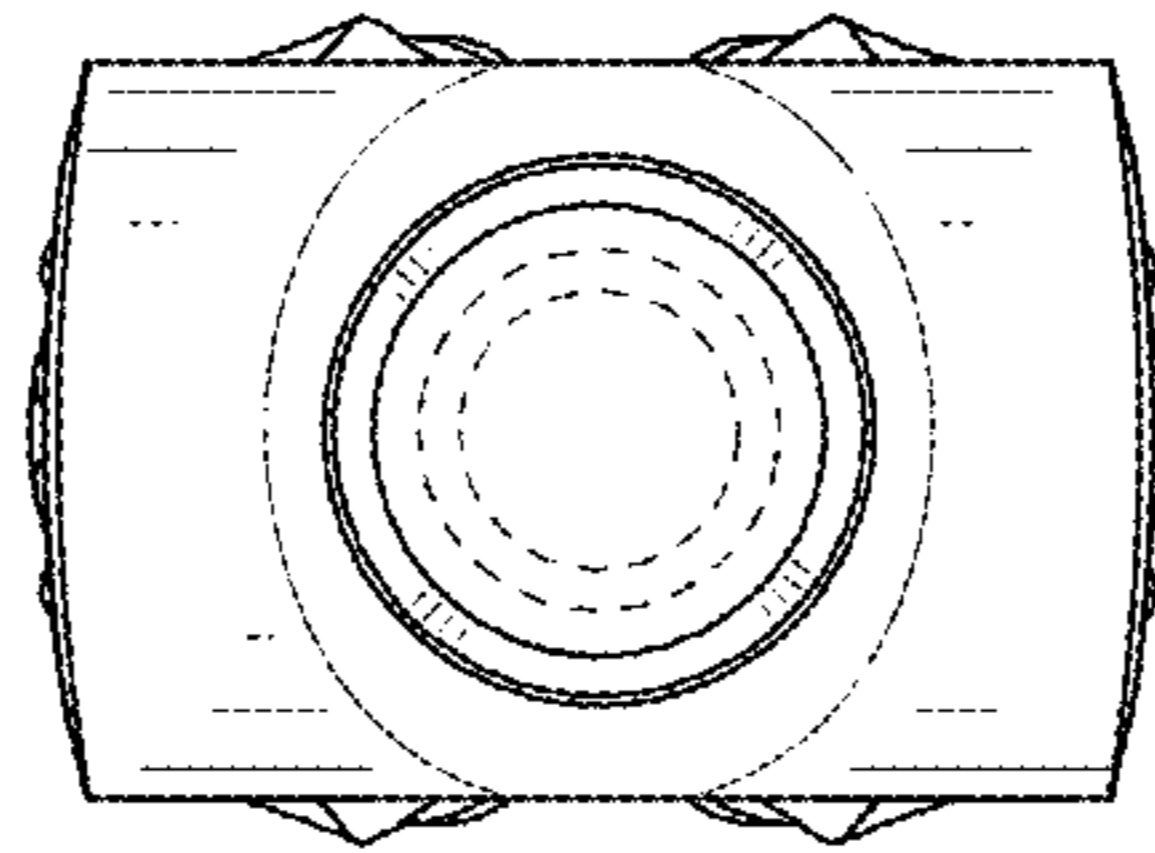


FIG. 7

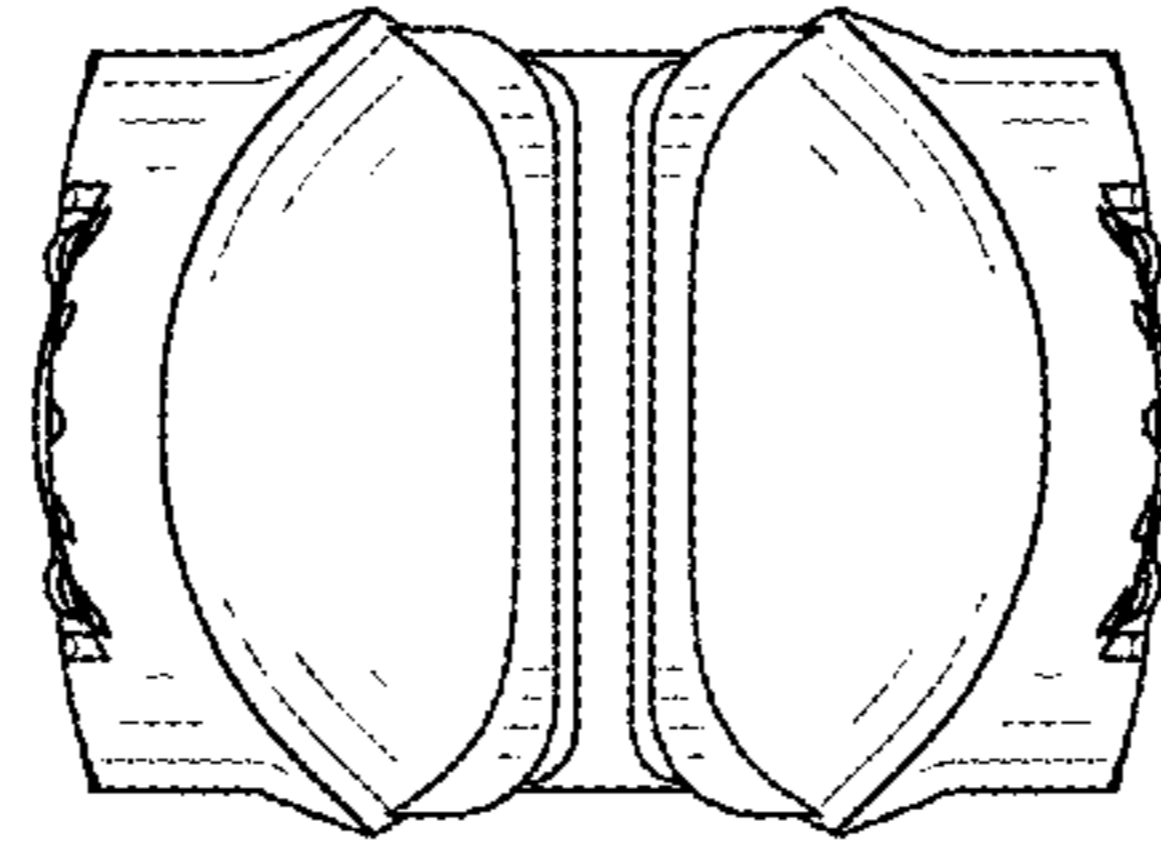


FIG. 8

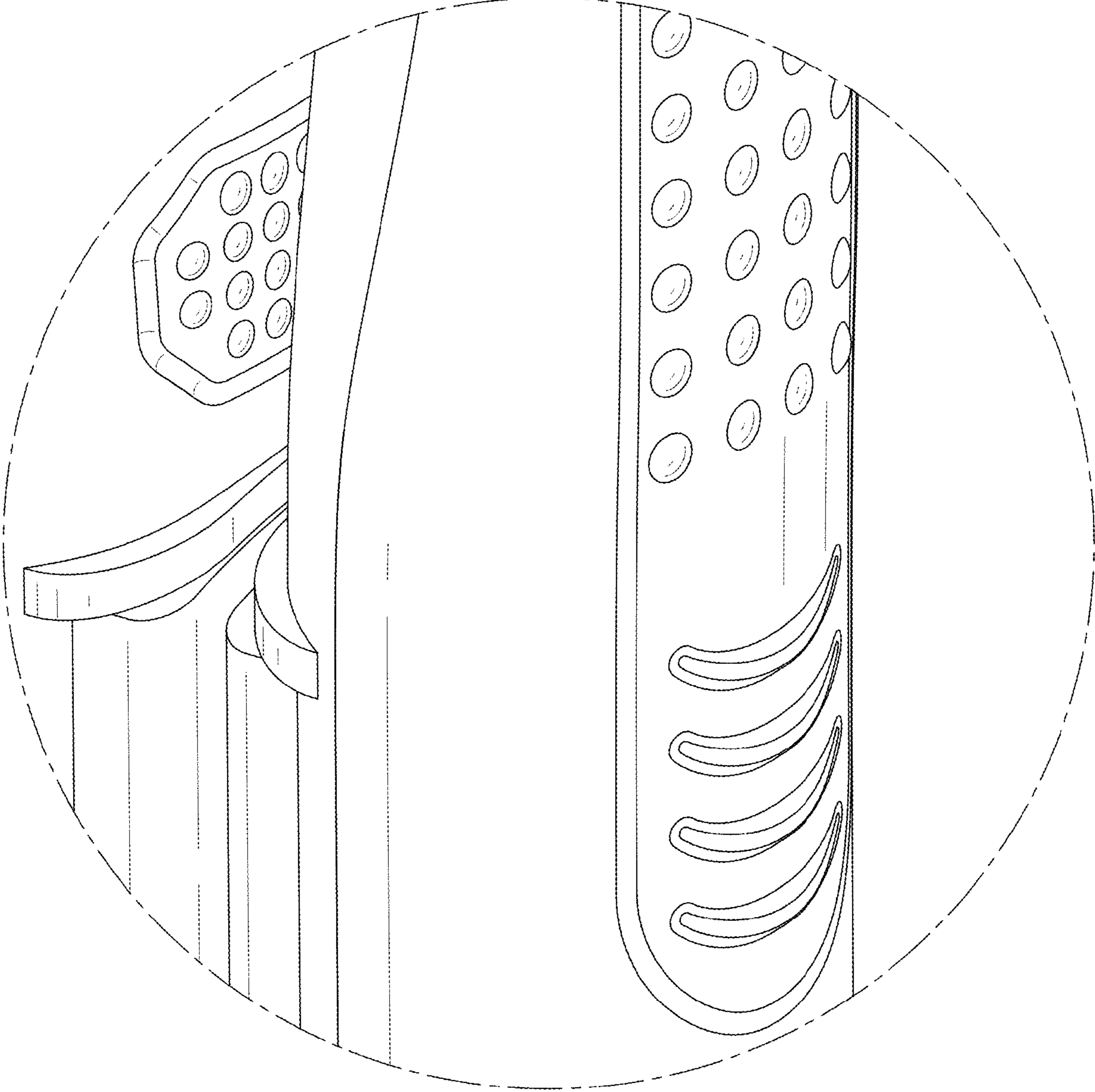


FIG. 9