

US00D909676S

(12) **United States Design Patent**
Santos

(10) **Patent No.:** **US D909,676 S**

(45) **Date of Patent:** **** Feb. 2, 2021**

(54) **HAIR DRYER WITH SIDE SWITCHES**

(71) Applicant: **CONAIR CORPORATION**, Stamford, CT (US)

(72) Inventor: **Mary Santos**, Stamford, CT (US)

(73) Assignee: **CONAIR CORPORATION**, Stamford, CT (US)

(**) Term: **15 Years**

(21) Appl. No.: **29/716,304**

(22) Filed: **Dec. 9, 2019**

(51) **LOC (13) Cl.** **28-03**

(52) **U.S. Cl.**
USPC **D28/13**

(58) **Field of Classification Search**
USPC D28/12-19; D8/29.1
CPC A45D 20/00; A45D 20/04; A45D 20/06;
A45D 20/08; A45D 20/10; A45D 20/128;
F24H 3/0423; F24H 3/0488; F24H 3/002;
F24H 9/2071
See application file for complete search history.

(56) **References Cited**

U.S. PATENT DOCUMENTS

D608,946 S * 1/2010 Speh D28/13
D649,711 S * 11/2011 Strollo D28/13

D651,341 S * 12/2011 Schmitz D28/13
D666,361 S * 8/2012 Taylor D28/13
D668,814 S * 10/2012 Hall D28/12
D775,417 S * 12/2016 Cho D28/13

* cited by examiner

Primary Examiner — Zenia I Bennett

(74) *Attorney, Agent, or Firm* — Grogan, Tuccillo & Vanderleeden, LLP

(57) **CLAIM**

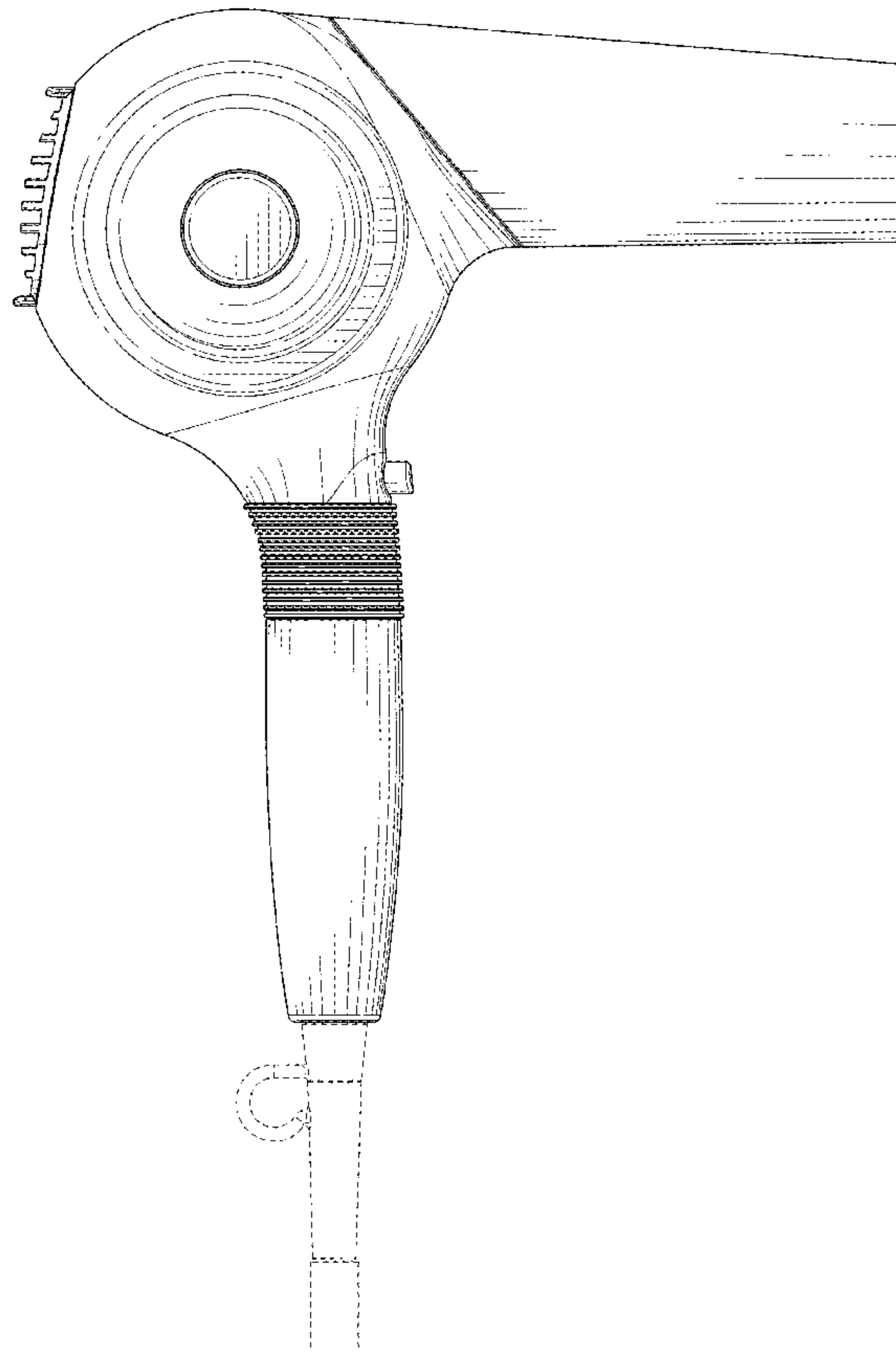
The ornamental design for a hair dryer with side switches, as shown and described.

DESCRIPTION

FIG. 1 is a perspective view of a hair dryer with side switches showing a new design; FIG. 2 is rear elevational view thereof; FIG. 3 is a front elevational view thereof; FIG. 4 is a left side elevational view thereof; FIG. 5 is a right side elevational view thereof; FIG. 6 is a top plan view thereof; and, FIG. 7 is a bottom plan view thereof.

The broken lines are for illustrative purposes only and form no part of the claimed design.

1 Claim, 5 Drawing Sheets



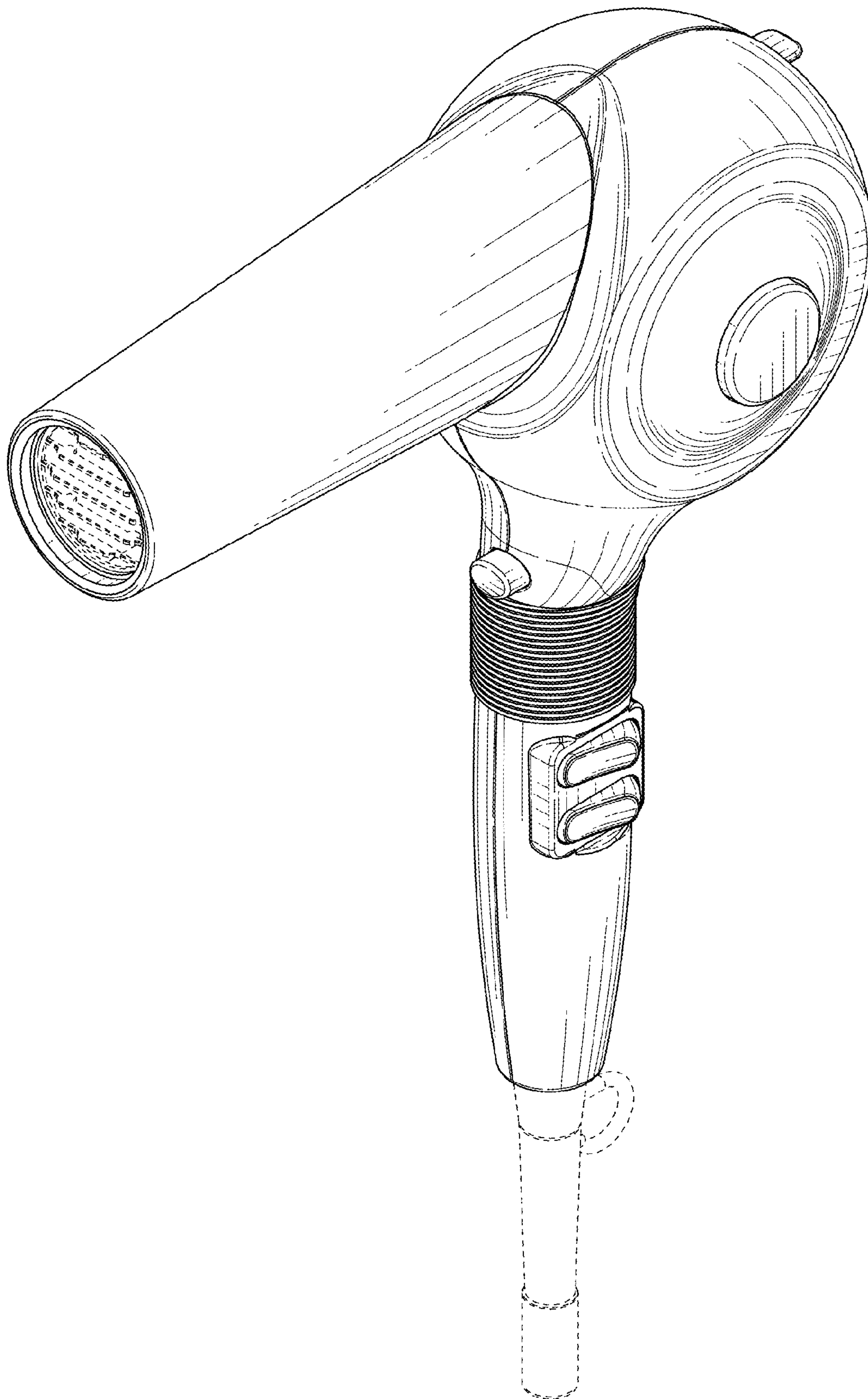


FIG. 1

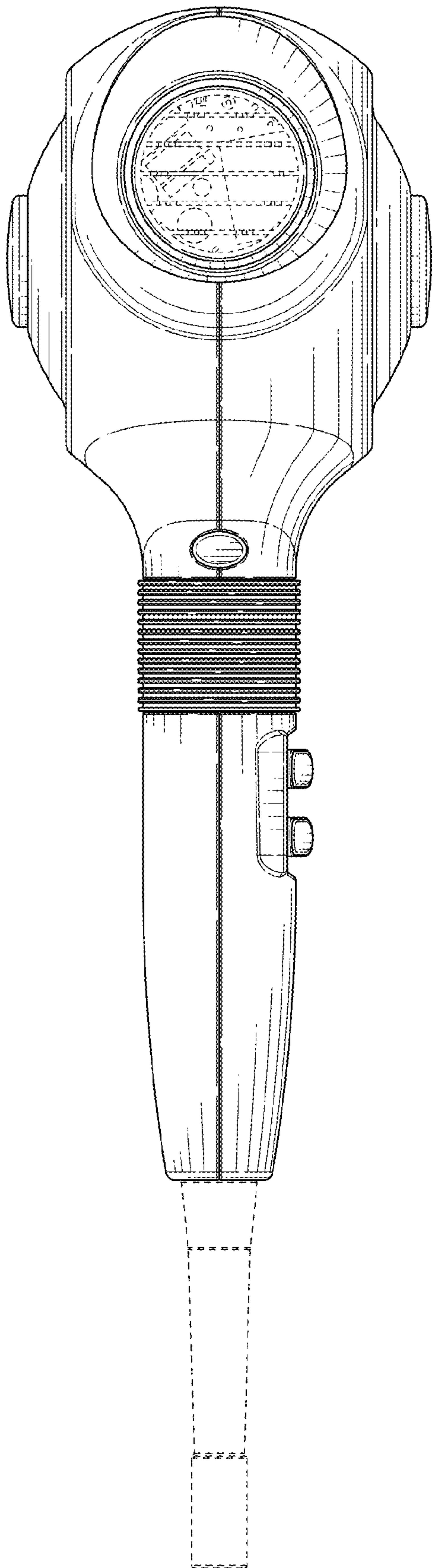


FIG. 2

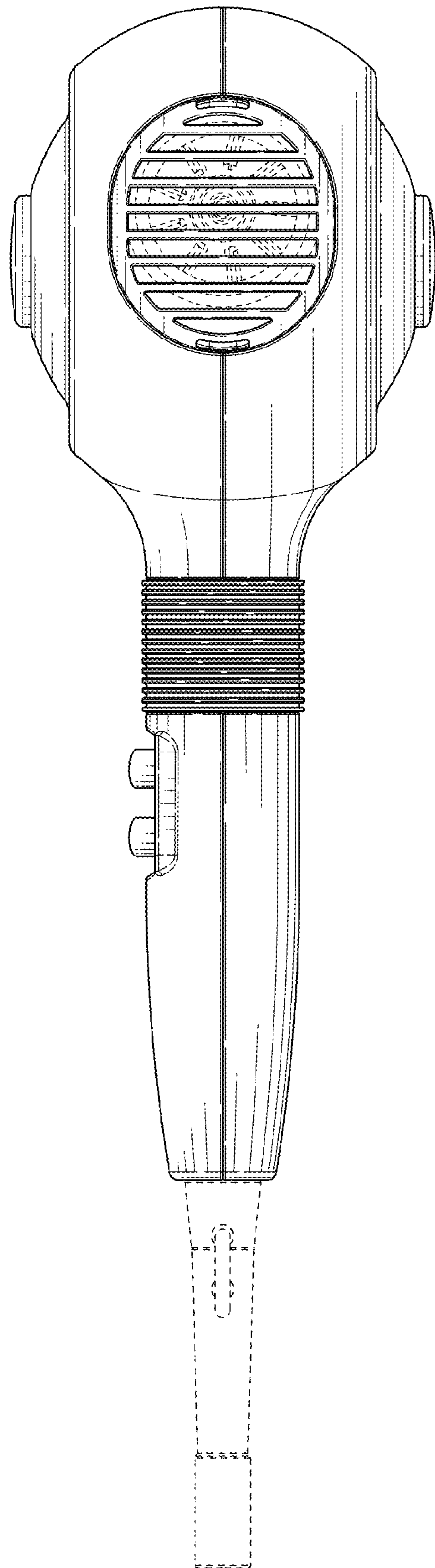


FIG. 3

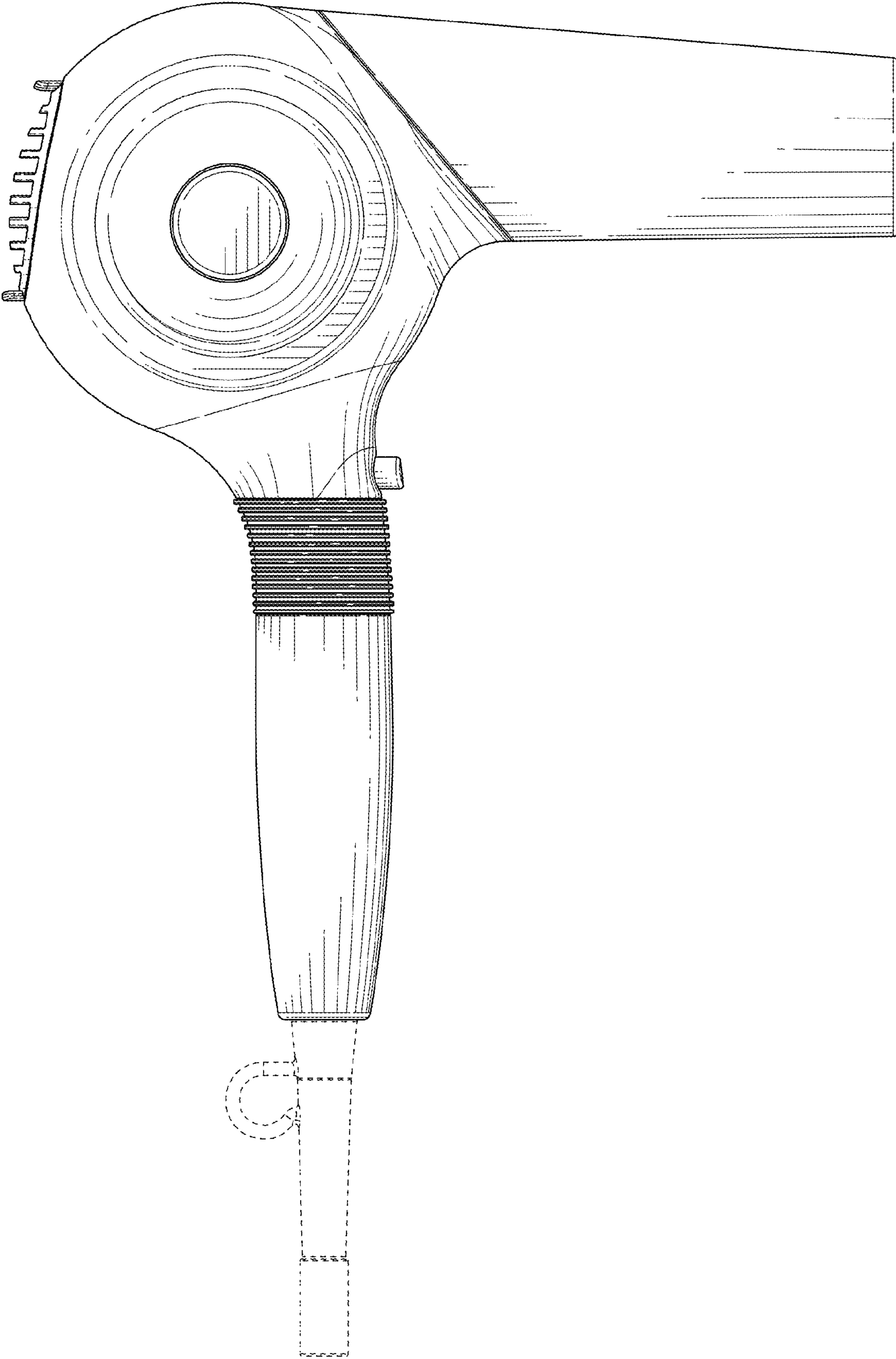


FIG. 4

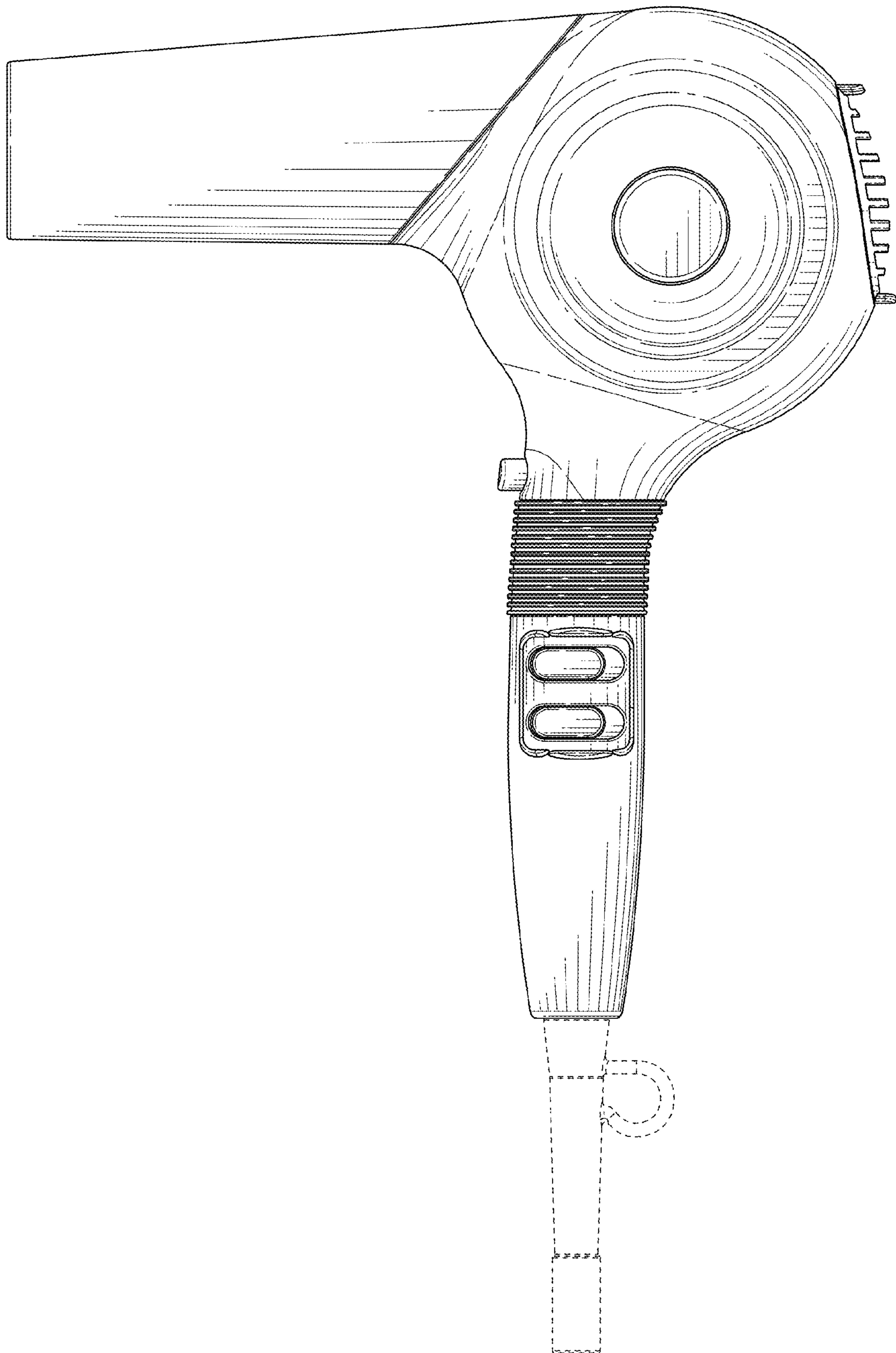


FIG. 5

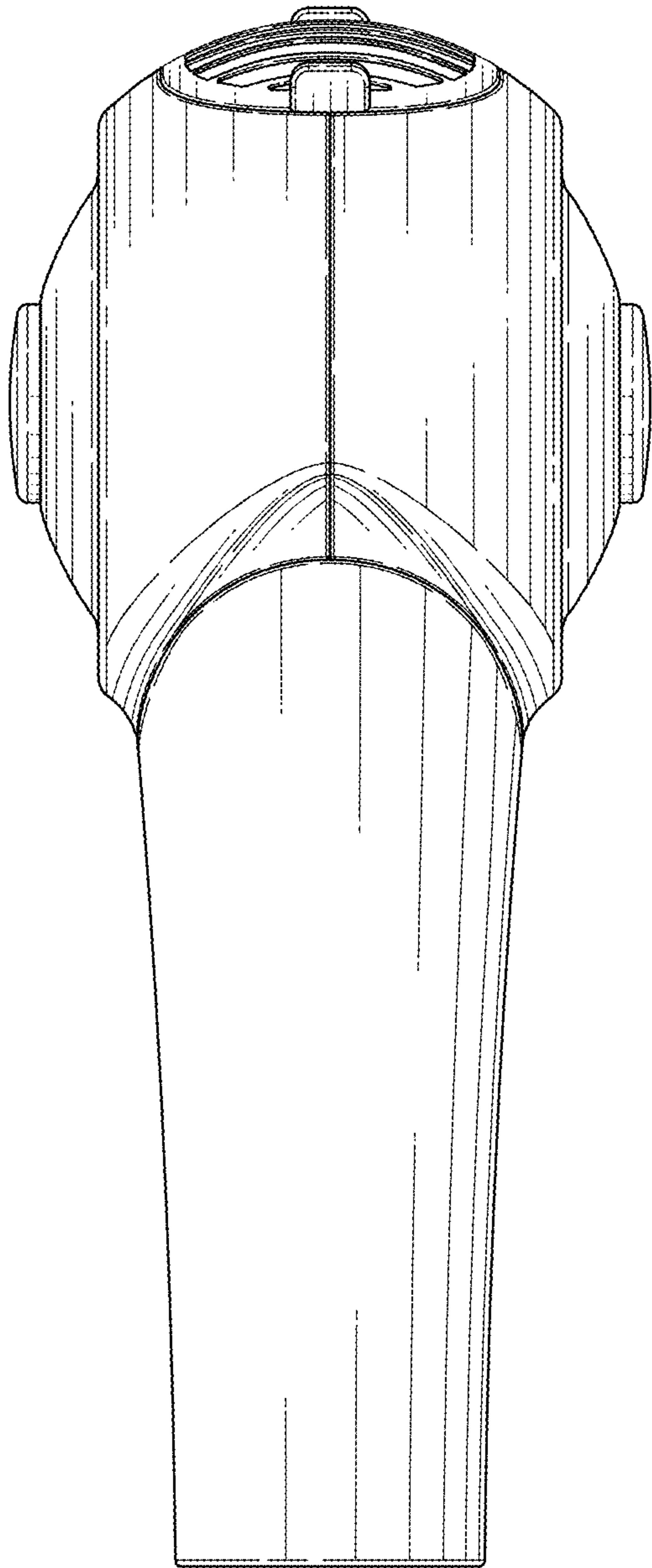


FIG. 6

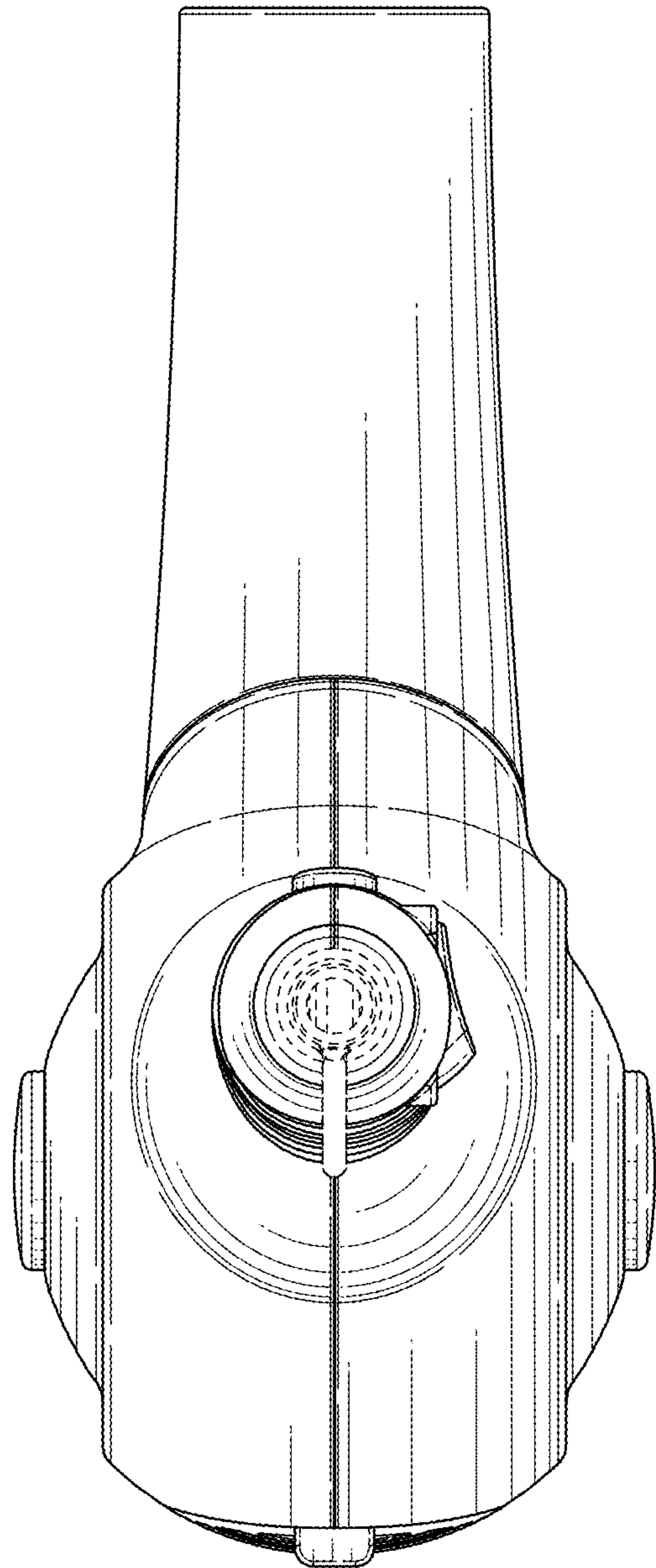


FIG. 7