



US00D909675S

(12) **United States Design Patent**  
**Huang**

(10) **Patent No.:** **US D909,675 S**

(45) **Date of Patent:** **\*\* Feb. 2, 2021**

(54) **HAIR DRYER**

(71) Applicant: **Guangdong Huanengda Electrical appliances Co., LTD., Jieyang (CN)**

(72) Inventor: **Huaqun Huang, Jieyang (CN)**

(73) Assignee: **Guangdong Huanengda Electrical Appliances Co., LTD., Jieyang (CN)**

(\*\*) Term: **15 Years**

(21) Appl. No.: **29/701,356**

(22) Filed: **Aug. 11, 2019**

(30) **Foreign Application Priority Data**

Apr. 10, 2019 (CN) ..... 2019 3 0159881

(51) **LOC (13) Cl.** ..... **28-03**

(52) **U.S. Cl.**  
USPC ..... **D28/13**

(58) **Field of Classification Search**

USPC ..... D28/12-19; D8/29, 29.1, 29.2, 30

CPC ..... A45D 20/00; A45D 20/04; A45D 20/06;

A45D 20/08; A45D 20/10; A45D 20/128;

F24H 3/00; F24H 3/0423; F16M 13/00

See application file for complete search history.

(56) **References Cited**

**U.S. PATENT DOCUMENTS**

D456,943 S \* 5/2002 Micinilio ..... D28/13

D472,345 S \* 3/2003 Altamore ..... D28/13

D543,313 S \* 5/2007 Petruccelli, Jr. .... D28/13

D559,443 S \* 1/2008 Smith ..... D28/13

D561,392 S \* 2/2008 Ceva ..... D28/13

D605,354 S \* 12/2009 Keong ..... D28/13

\* cited by examiner

*Primary Examiner* — Zenia I Bennett

(74) *Attorney, Agent, or Firm* — Dragon Sun Law Firm, PC; Jinggao Li, Esq.

(57) **CLAIM**

The ornamental design for a hair dryer, as shown and described.

**DESCRIPTION**

FIG. 1 is a perspective view of a hair dryer showing my new design;

FIG. 2 is another perspective view thereof;

FIG. 3 is a left side view thereof;

FIG. 4 is a right side view thereof;

FIG. 5 is a front view thereof;

FIG. 6 is a rear view thereof;

FIG. 7 is a top plan view thereof;

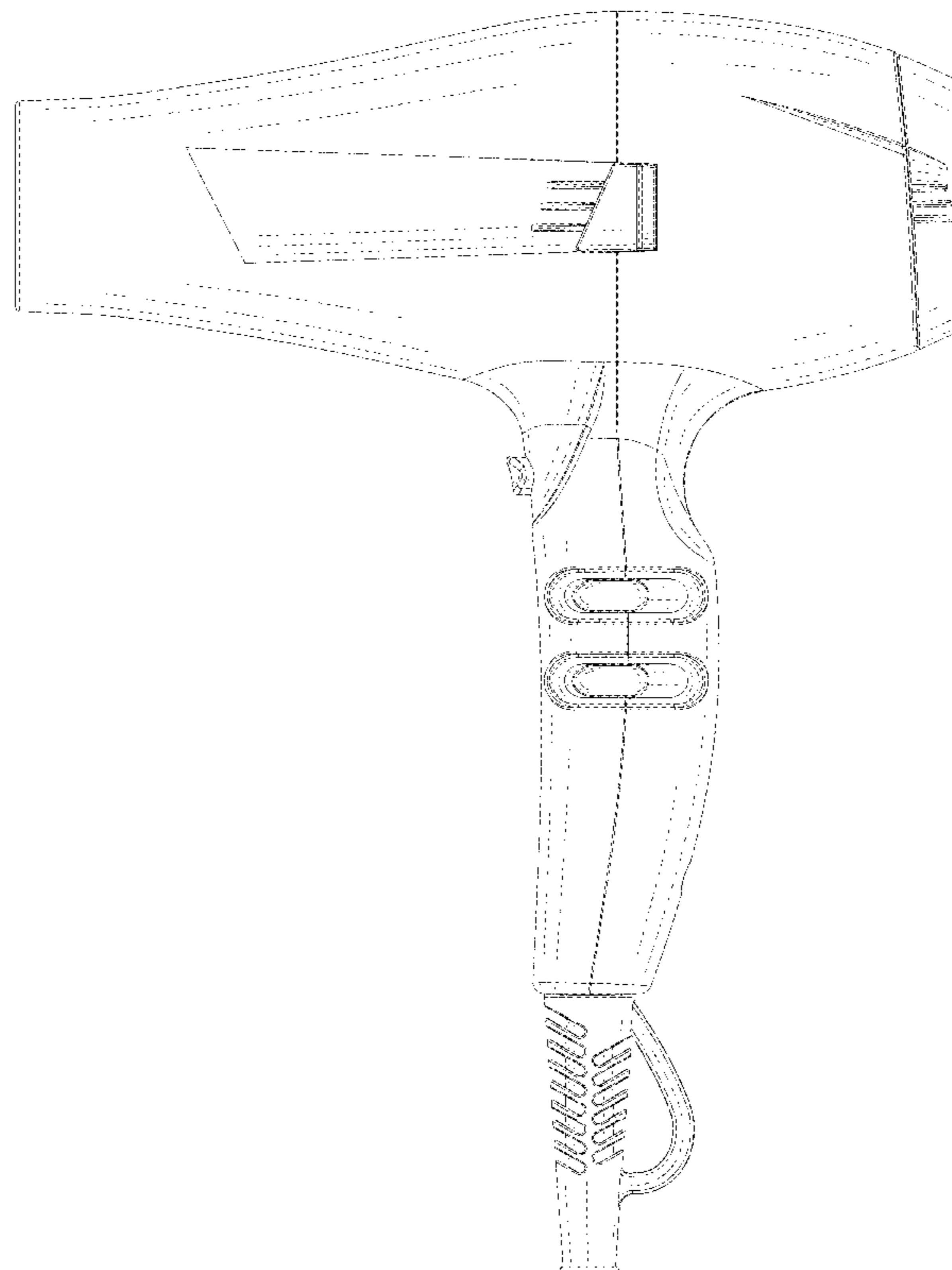
FIG. 8 is a bottom plan view thereof;

FIG. 9 is a partial enlargement of the rear view thereof; and,

FIG. 10 is another partial enlargement of the rear view thereof.

The broken lines in the drawings illustrate portions of the hair dryer and form no part of the claimed design.

**1 Claim, 10 Drawing Sheets**



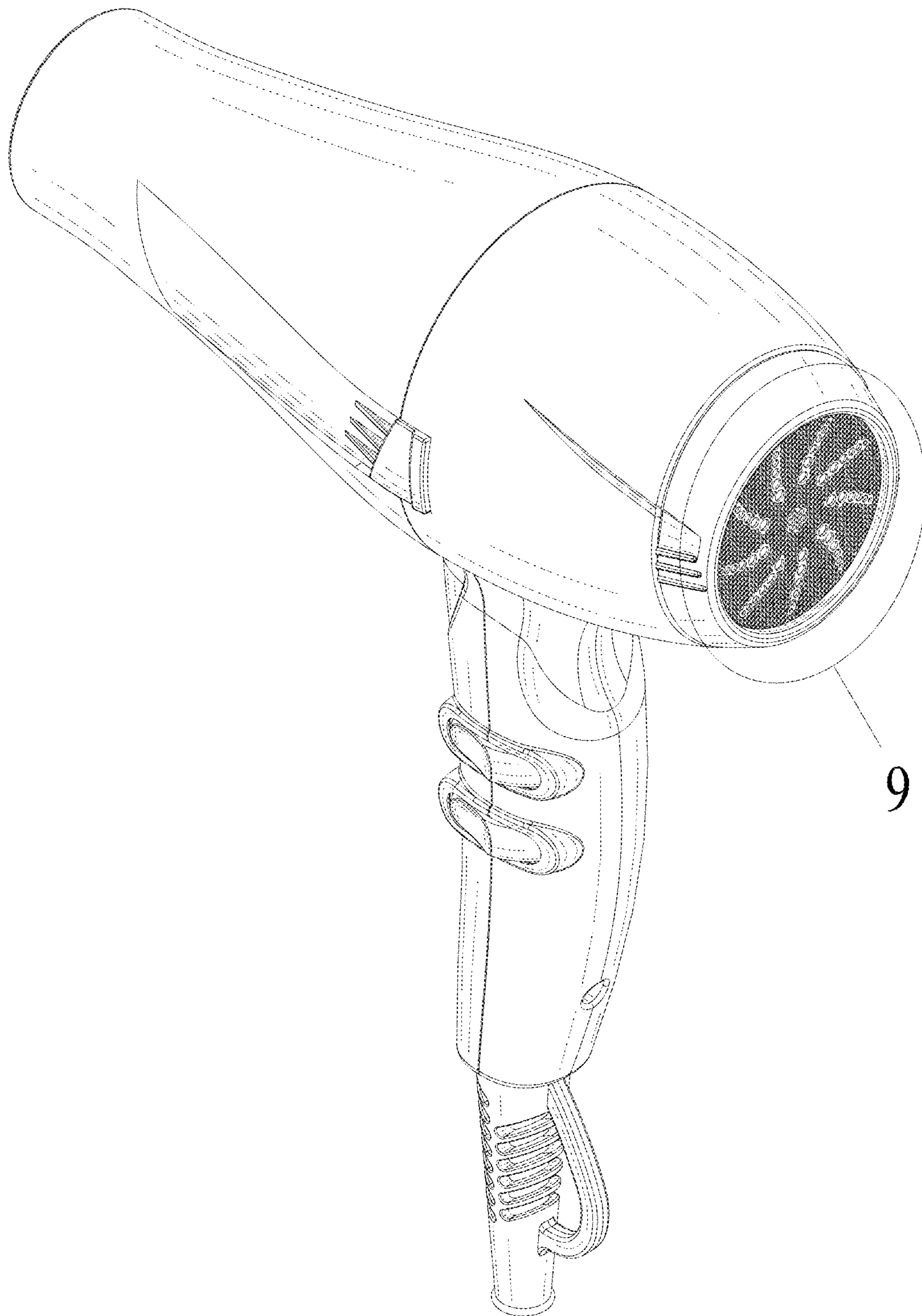


FIG. 1

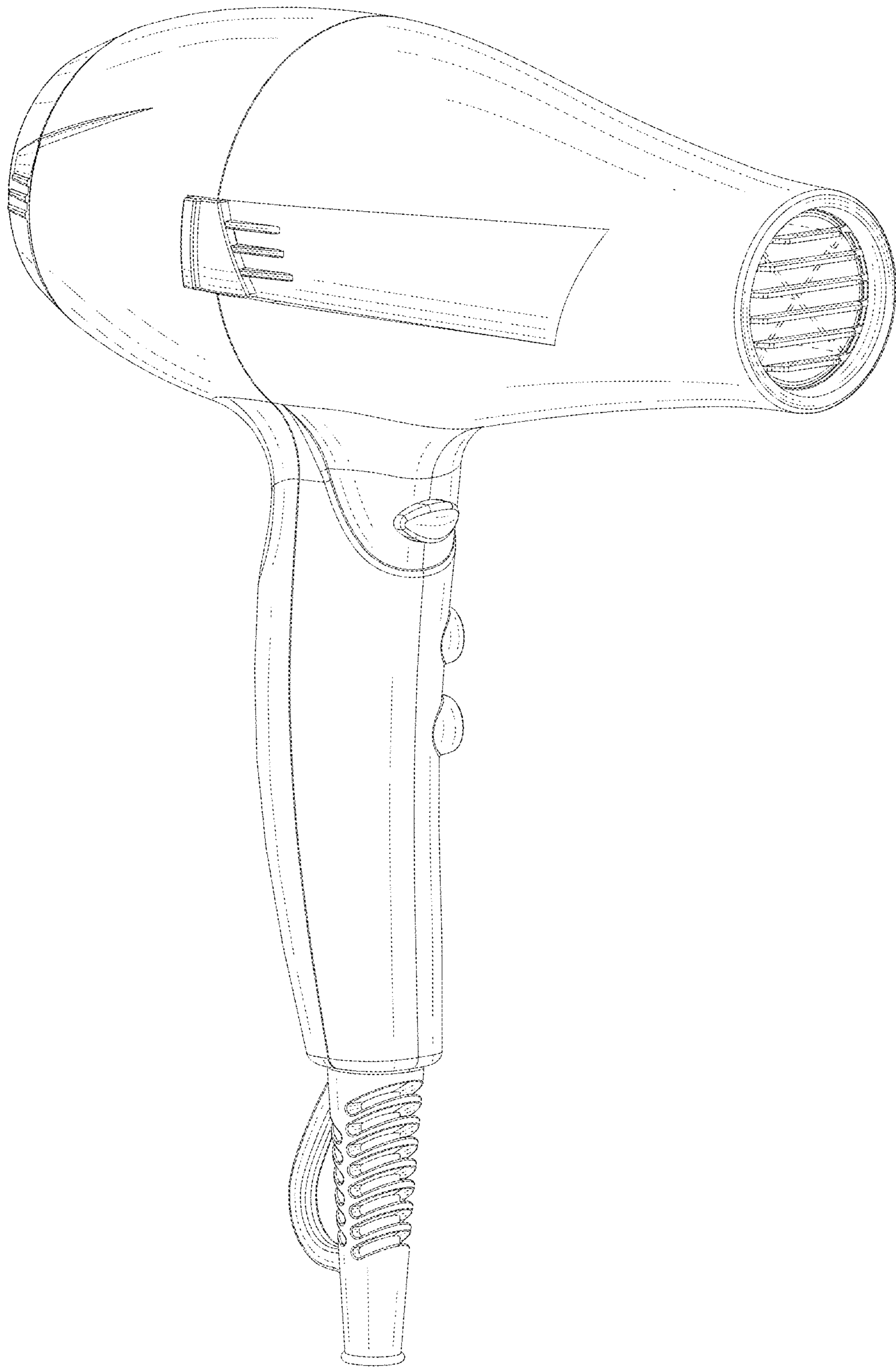


FIG. 2

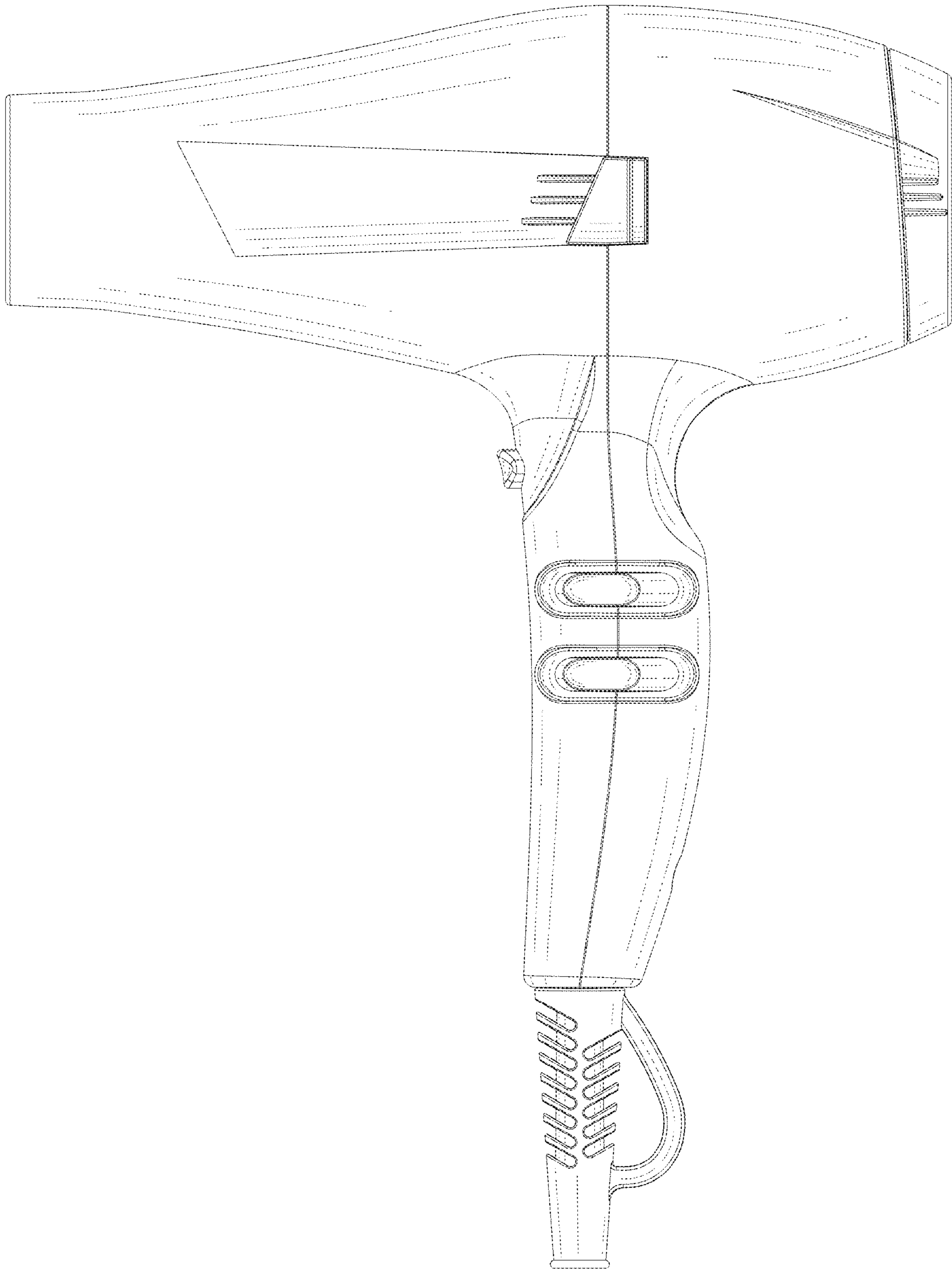


FIG. 3



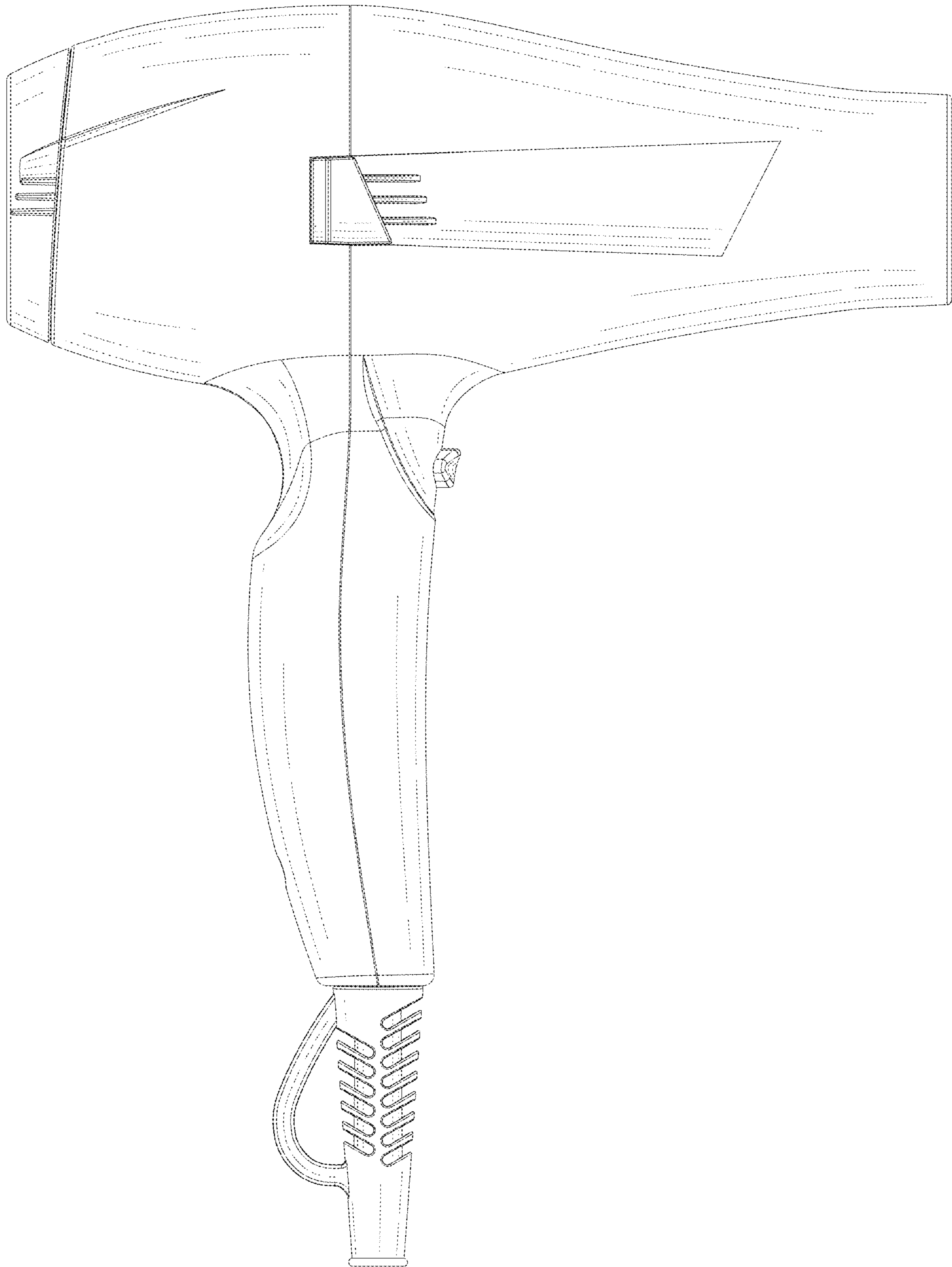


FIG. 4

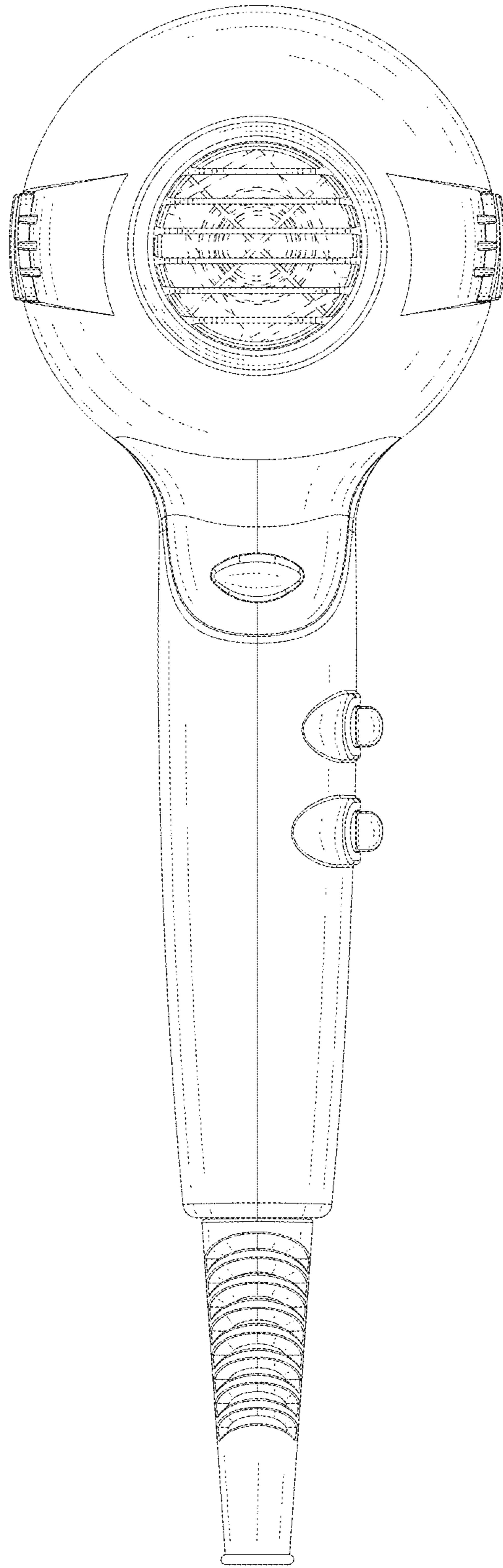


FIG. 5

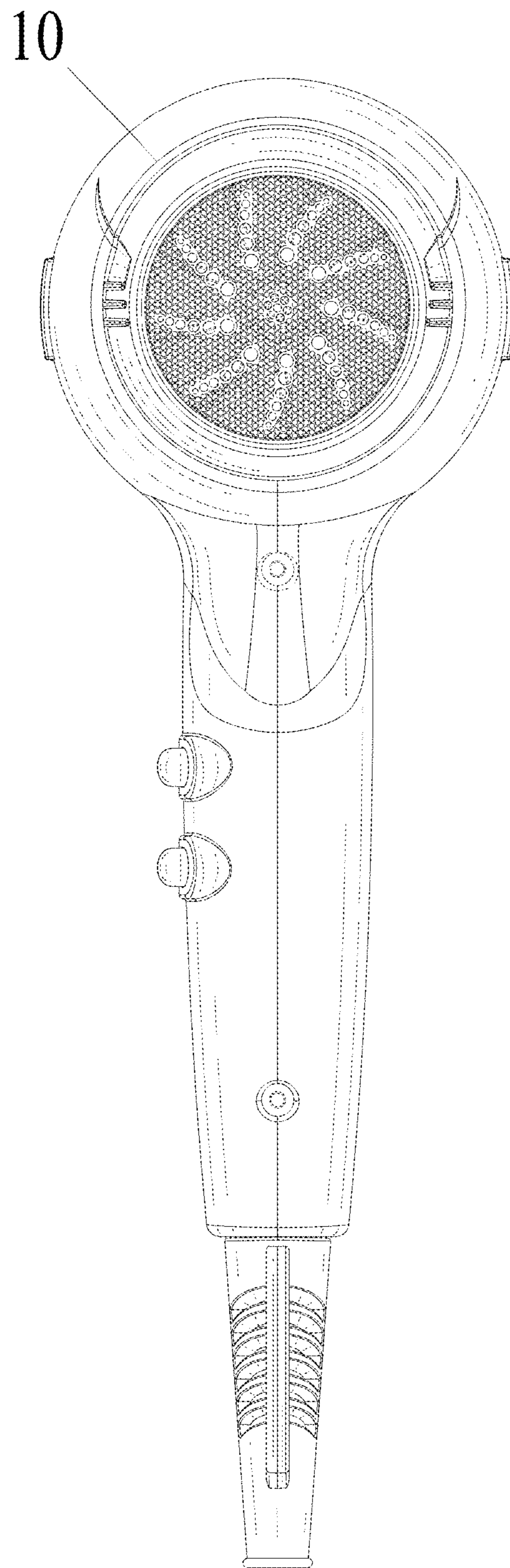


FIG. 6

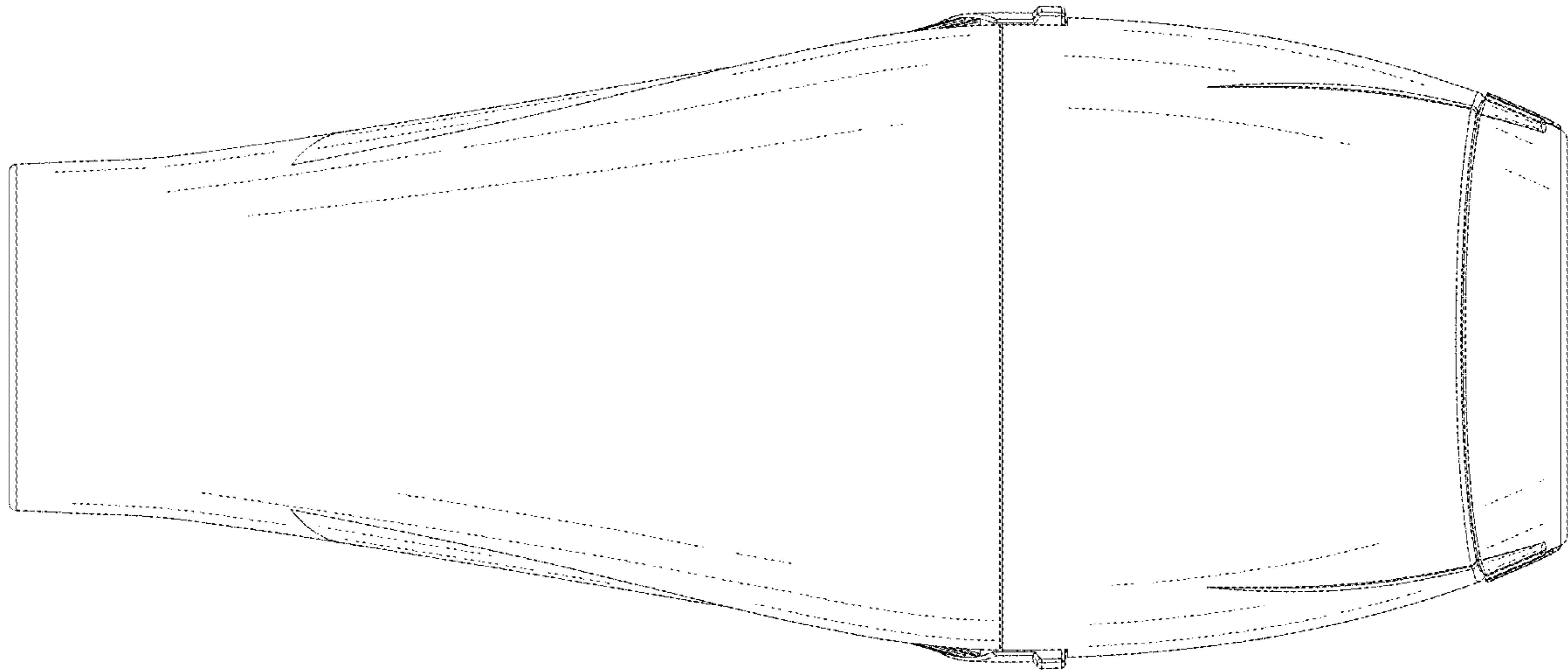


FIG. 7



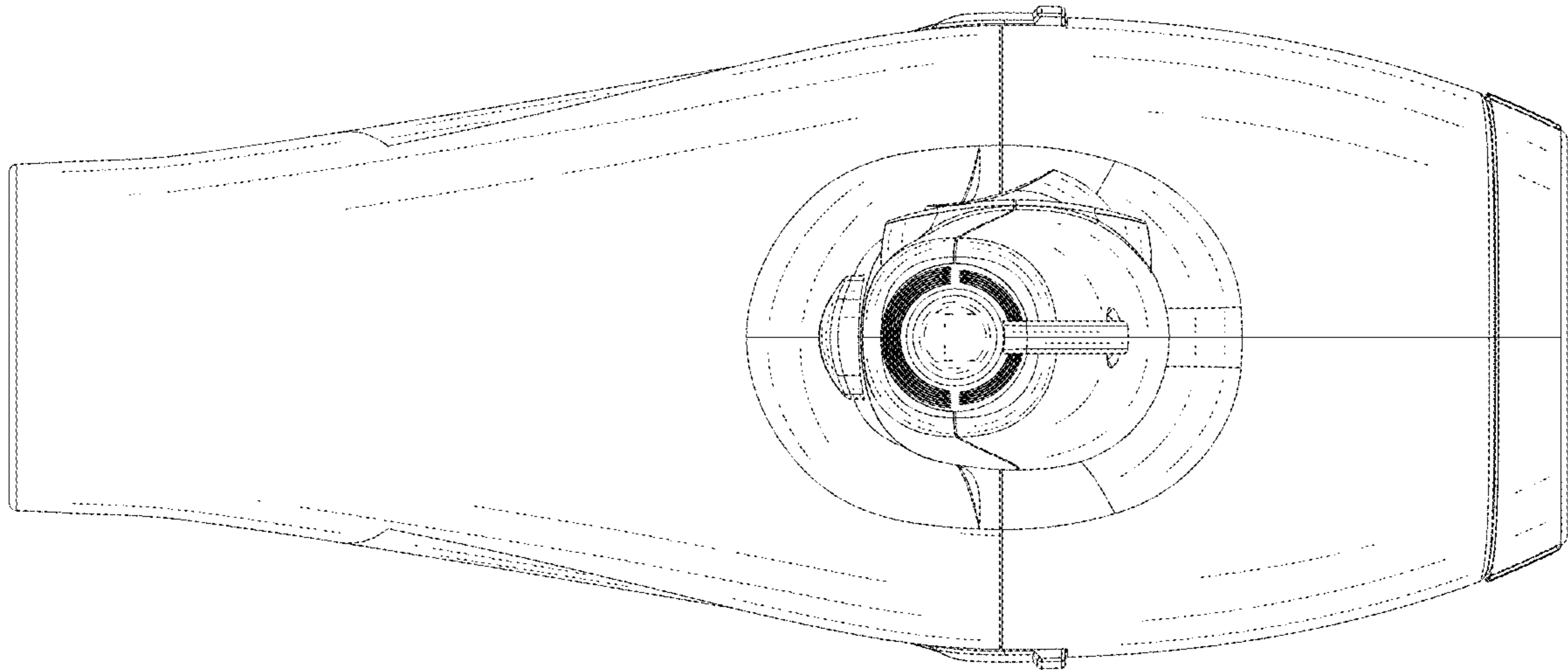


FIG. 8

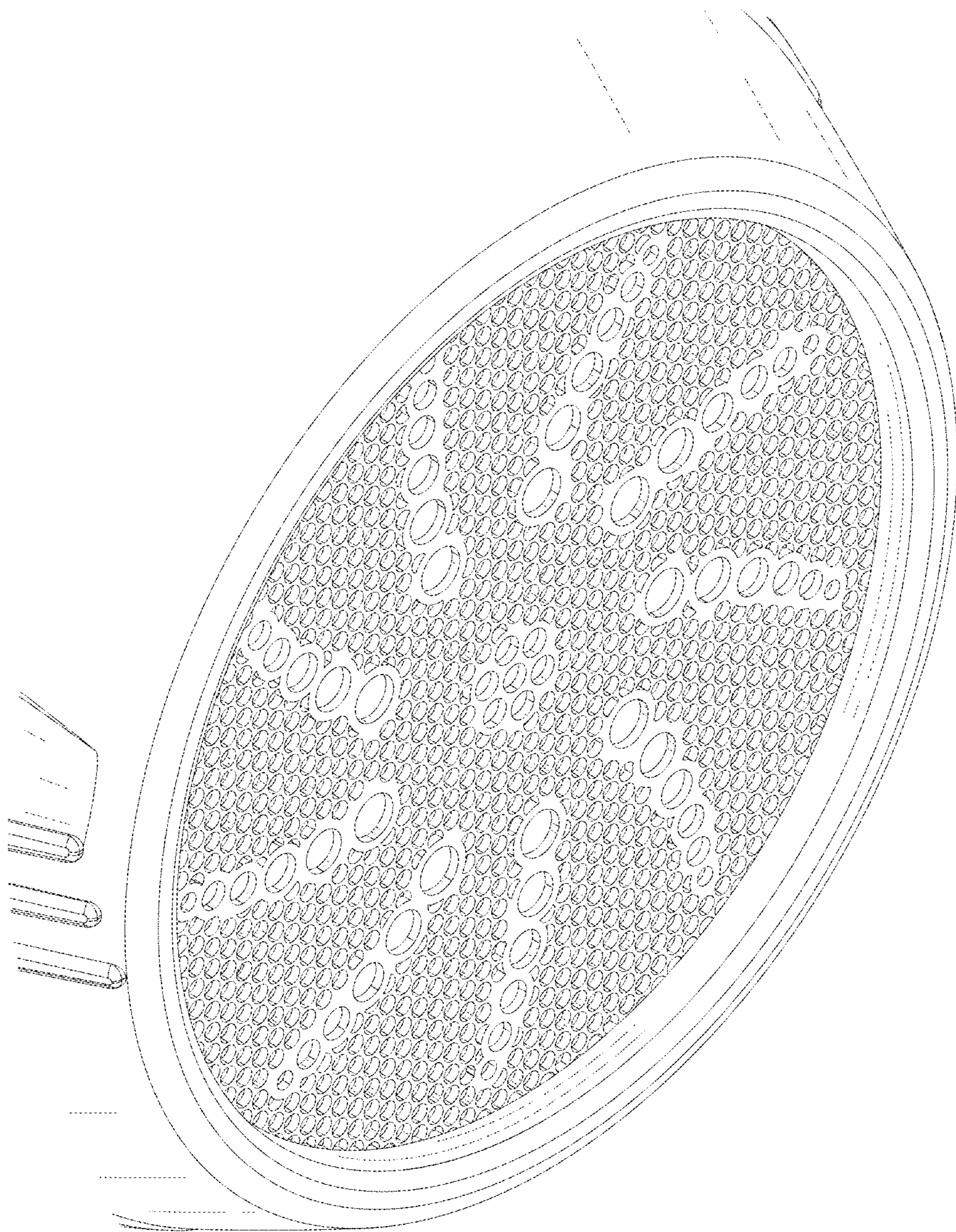


FIG. 9



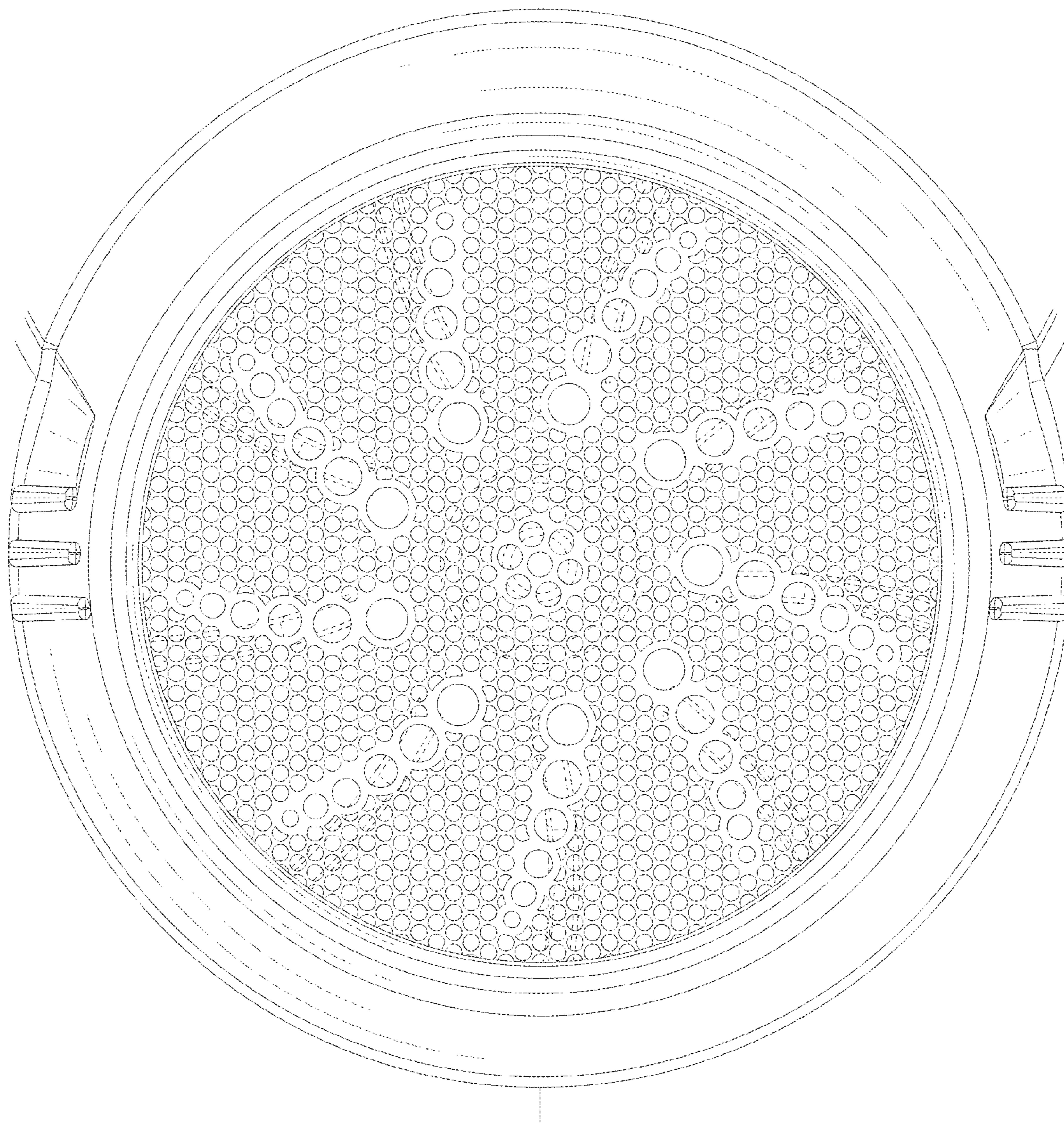


FIG. 10