

US00D909671S

(12) **United States Design Patent** (10) **Patent No.:** **US D909,671 S**
Hoch et al. (45) **Date of Patent:** **** Feb. 2, 2021**

(54) **SMOKING APPARATUS**

- (71) Applicant: **EYCE LLC**, Bend, OR (US)
- (72) Inventors: **Charles V. Hoch**, Bend, OR (US);
Bruce A. Hoch, Bend, OR (US)
- (73) Assignee: **EYCE LLC**, Bend, OR (US)
- (**) Term: **15 Years**
- (21) Appl. No.: **29/718,031**
- (22) Filed: **Dec. 20, 2019**

Related U.S. Application Data

- (63) Continuation of application No. 29/658,714, filed on Aug. 2, 2018, now Pat. No. Des. 872,357, which is a continuation of application No. 29/604,098, filed on May 15, 2017, now Pat. No. Des. 825,101.
- (51) **LOC (13) Cl.** **27-02**
- (52) **U.S. Cl.**
USPC **D27/162**
- (58) **Field of Classification Search**
USPC D27/162-169, 194; 131/226, 330, 191,
131/194, 195, 196, 198.1
CPC A24F 1/00; A24F 1/30
See application file for complete search history.

(56) **References Cited**

U.S. PATENT DOCUMENTS

214,586 A	4/1879	Riedel
895,626 A	8/1908	Geltz
945,973 A	1/1910	Miles et al.
1,051,328 A	1/1913	Harnes et al.
D54,831 S	4/1920	Campbell

(Continued)

FOREIGN PATENT DOCUMENTS

CL	303891842 S	10/2016
CN	200979176 Y	11/2007

(Continued)

OTHER PUBLICATIONS

10" Tall Gilded Glass Pink Slyme Concentrate Water Pipe w/ Shower-Head to Vortex Perc / Headshop Hub; Dec. 7, 2017 <https://headshophub.com/10-tall-gilded-glass-pink-slyme-concentrate-water-pipe-w-showerhead-to-vortex-perc>, 3 page.

(Continued)

Primary Examiner — Susan Bennett Hattan

Assistant Examiner — Rebecca Tsehaye

(74) *Attorney, Agent, or Firm* — Dorsey & Whitney LLP

(57) **CLAIM**

The ornamental design for a smoking apparatus, as shown and described.

DESCRIPTION

FIG. 1 is a perspective view of a smoking apparatus in accordance with the present invention.

FIG. 2 is a left side elevation view of the smoking apparatus of FIG. 1.

FIG. 3 is a right side elevation view of the smoking apparatus of FIG. 1.

FIG. 4 is a rear elevation view of the smoking apparatus of FIG. 1.

FIG. 5 is a front elevation view of the smoking apparatus of FIG. 1.

FIG. 6 is a top plan of the smoking apparatus of FIG. 1.

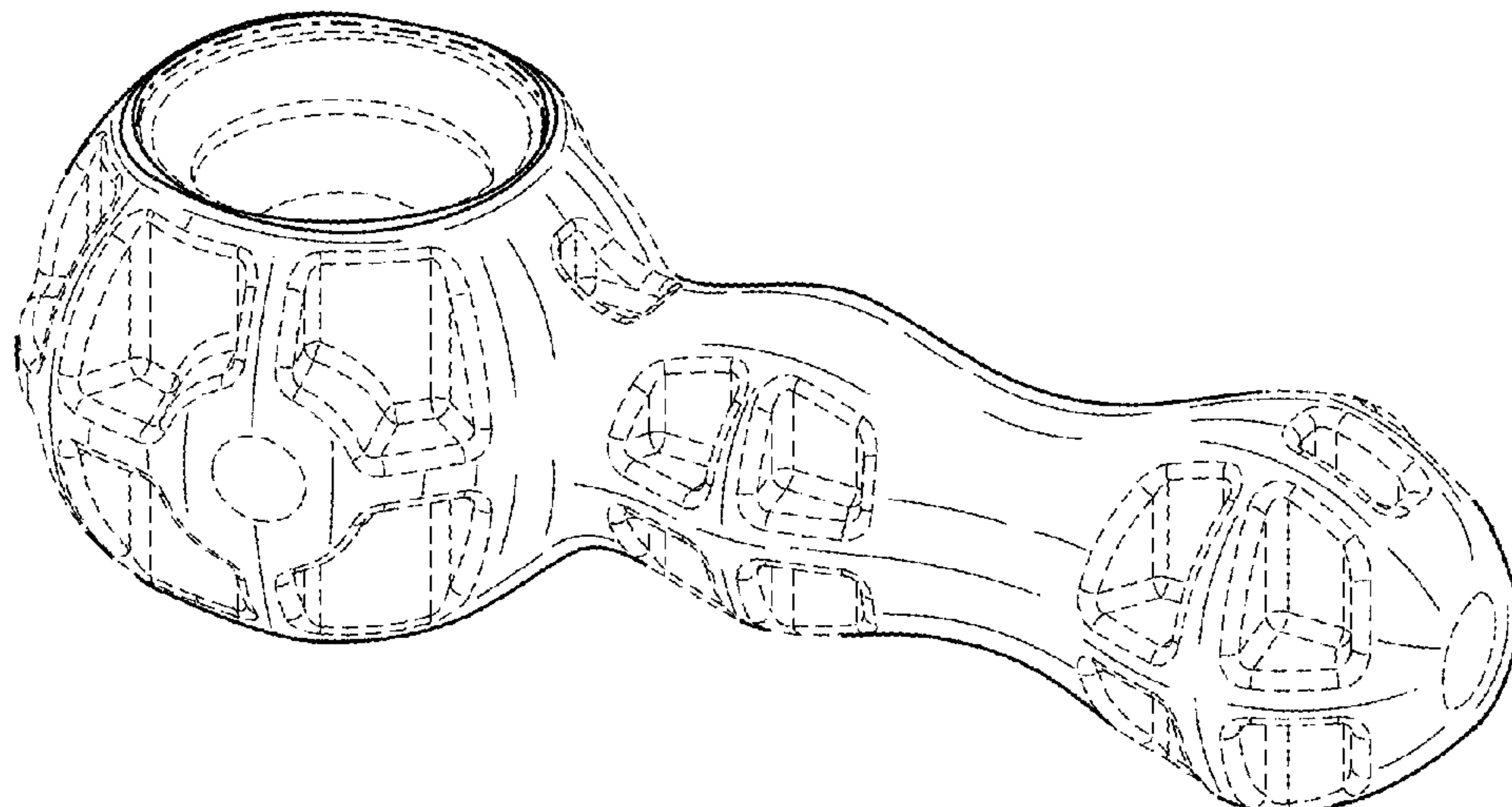
FIG. 7 is a bottom plan of the smoking apparatus of FIG. 1; and,

FIG. 8 is an exploded view of the smoking apparatus of FIG. 1 shown in an exemplary environment with accessories.

The features shown in broken lines in the figures indicate environment only and form no part of the claimed design.

The dot-dash line in the figures indicates a boundary and the area within forms no part of the claimed design.

1 Claim, 5 Drawing Sheets



(56)

References Cited

U.S. PATENT DOCUMENTS

1,617,113 A *	2/1927	Hirschl	A24F 1/00 131/224	D233,863 S	12/1974	Keidl et al.	
D74,334 S	1/1928	Sorbello		3,881,499 A	5/1975	McFadden et al.	
1,881,793 A	10/1932	Mariani		3,882,875 A	5/1975	Frost	
1,967,438 A	7/1934	Hartzes		D240,541 S	7/1976	Rupert	
1,987,407 A	1/1935	McAllister		D240,542 S	7/1976	Murray, Jr.	
2,040,704 A	5/1936	Modine		D240,938 S	8/1976	Kahler	
D100,535 S	7/1936	Ackerman		4,031,905 A	6/1977	Dunn	
D102,406 S	12/1936	Altizer et al.		D246,391 S	11/1977	Lefkow	
D102,637 S	1/1937	Millsap		D246,604 S	12/1977	Frost	
D111,276 S	9/1938	Cippico		D247,255 S	2/1978	Frost	
2,192,448 A	3/1940	Lingo		D247,408 S	3/1978	Ventura	
D122,042 S	4/1940	Bressle		D248,572 S	7/1978	Graham	
D120,674 S	5/1940	Miller		D248,671 S	7/1978	Graham	
D126,132 S	3/1941	Harris		D249,070 S	8/1978	Evans	
D127,324 S	5/1941	Leser		D249,281 S	9/1978	Graham	
D131,197 S	1/1942	Leser		D249,282 S	9/1978	Nielsen	
D132,045 S	4/1942	Borger		4,111,213 A	9/1978	Shanto et al.	
D132,046 S	4/1942	Borger		D249,896 S	10/1978	Graham	
D132,561 S	5/1942	Clements		4,146,042 A	3/1979	Maiorana	
2,285,057 A	6/1942	Russell		4,164,949 A	8/1979	Diven	
2,325,412 A	7/1943	Martin		4,171,703 A	10/1979	Locke	
2,335,087 A	11/1943	Schimer		D253,848 S	1/1980	Karp	
2,385,312 A	9/1945	Swift		4,187,885 A	2/1980	Kahler et al.	
D142,572 S	10/1945	Leipper		D254,510 S *	3/1980	Shaak	D27/163
D142,760 S	10/1945	Wyse		4,223,686 A	9/1980	Murray, Jr.	
2,387,381 A	10/1945	Zuckerman		D258,012 S	1/1981	Murphy	
D142,922 S	11/1945	Von Rosenberg		D258,013 S	1/1981	Murphy	
D143,423 S	1/1946	Goulston		4,253,475 A	3/1981	Schreiber et al.	
D143,593 S	1/1946	Hollenbeck		D261,439 S	10/1981	Sher	
D144,346 S	4/1946	Ash		D261,689 S	11/1981	Weglein	
D146,209 S	1/1947	Baxter		D261,690 S	11/1981	Murray, Jr.	
D147,035 S	7/1947	Chistensen		D262,144 S	12/1981	Sher	
D150,219 S	7/1948	Furedy et al.		D262,672 S	1/1982	Iten et al.	
D152,369 S	1/1949	Sampson		D264,885 S	6/1982	Irelan	
D154,917 S	8/1949	Galashek		D265,595 S	7/1982	Galanter	
D159,295 S	7/1950	Park		D265,766 S	8/1982	Sher	
2,529,278 A	11/1950	Bowers		D273,713 S	5/1984	Sher	
2,628,622 A	2/1953	Smith		D273,714 S	5/1984	Sher	
2,637,327 A	5/1953	Nadelson		D273,715 S	5/1984	Sher	
D170,257 S	8/1953	Francken		D276,377 S	11/1984	Martin	
D171,694 S	3/1954	Gevirman		D287,668 S	1/1987	Kelly et al.	
D172,008 S	4/1954	David		D295,921 S	5/1988	Roman et al.	
D176,221 S	11/1955	Lieber		4,788,988 A	12/1988	Titus	
D177,036 S	3/1956	Gavirman		4,812,070 A	3/1989	Marty	
D177,226 S	3/1956	Gavirman		D304,625 S	11/1989	Katayama	
D177,321 S	4/1956	Gavirman		D304,771 S *	11/1989	Katayama	D27/163
D177,602 S	5/1956	Wang		D305,804 S	1/1990	Browning	
D177,952 S	6/1956	Wang		D325,472 S	4/1992	Premack	
D178,959 S	10/1956	Hodgkins		D342,805 S	12/1993	Heine et al.	
D179,116 S	11/1956	Bugg		5,316,401 A	5/1994	Sears	
D179,117 S	11/1956	Bugg		D349,065 S *	7/1994	West	D10/33
D179,179 S	11/1956	Atkins		D350,411 S	9/1994	Heine	
D179,373 S	12/1956	Berenson		D358,227 S	5/1995	Heine	
2,807,816 A	10/1957	Obrien		D358,228 S	5/1995	Heine	
2,827,059 A	3/1958	Czap		5,476,110 A	12/1995	Baig et al.	
2,864,382 A	12/1958	Hercules		D368,324 S	3/1996	Heine	
2,884,931 A	5/1959	Fred		D368,325 S	3/1996	Heine	
3,091,246 A	5/1963	Mahieux		D369,026 S	4/1996	Furbert et al.	
D199,552 S	11/1964	Brenson		D371,632 S	7/1996	Truelove	
D201,104 S	5/1965	Du Pree		D376,033 S	11/1996	Heine	
3,209,764 A	10/1965	Shih		D387,476 S	12/1997	Chambers	
D203,430 S	1/1966	Chernock		D401,071 S	11/1998	Laster	
D203,914 S	2/1966	Fassbender		5,908,031 A	6/1999	Clark et al.	
D204,922 S	5/1966	Jeannin		RE36,254 E	7/1999	Newman	
3,308,834 A	3/1967	Wideen-Furedy		D413,002 S	8/1999	Melograno	
D207,376 S	4/1967	Chernock		5,967,147 A	10/1999	Newman	
D212,179 S	9/1968	Chernock		5,993,748 A	11/1999	Wheeler	
D217,520 S	5/1970	Gordon		RE36,523 E	1/2000	Newman	
D219,566 S	12/1970	Fish		6,035,477 A	3/2000	Robert	
3,669,127 A	6/1972	Owends		6,067,993 A	5/2000	Mahoney, III	
D224,760 S	9/1972	Chernack		D436,686 S *	1/2001	Fujisawa	D27/163
D229,726 S	12/1973	Finn		D438,708 S	3/2001	Weiner	
3,792,705 A	2/1974	Frederick		D442,327 S	5/2001	Neason	
D231,640 S	5/1974	Kahler		D442,329 S	5/2001	Najar et al.	
				D443,103 S	5/2001	Neason	
				D443,950 S	6/2001	Neason	
				6,270,278 B1	8/2001	Mauro	
				D456,607 S	5/2002	Carlucci et al.	
				6,418,936 B1	7/2002	Lee	

(56)

References Cited

U.S. PATENT DOCUMENTS

6,598,256 B2 7/2003 Theriault
 D480,216 S 10/2003 Weihrauch
 D485,639 S 1/2004 Stronski
 6,745,777 B2* 6/2004 Liu A24F 1/20
 131/187
 D532,892 S 11/2006 Koon
 D539,978 S 4/2007 Kassir
 D542,968 S 5/2007 Guan
 D543,312 S 5/2007 Guan
 D547,125 S 7/2007 Wasserman et al.
 D547,489 S 7/2007 Kassir
 D548,398 S 8/2007 Chaoui
 D552,790 S 10/2007 Catron et al.
 D554,797 S 11/2007 Kassir
 D558,370 S 12/2007 Mohammed
 D558,919 S 1/2008 Kassir
 D561,388 S 2/2008 Kassir
 D566,328 S 4/2008 Catron
 D582,094 S* 12/2008 Lee D27/163
 D584,853 S 1/2009 Kassir
 D608,097 S 1/2010 Zanjani
 D617,939 S 6/2010 Mansour et al.
 D617,940 S 6/2010 Mansour et al.
 D618,389 S 6/2010 Masri
 D625,851 S 10/2010 Furner et al.
 D634,065 S 3/2011 Borushek et al.
 D636,849 S 4/2011 Yoo et al.
 D638,984 S 5/2011 Gould
 D649,700 S 11/2011 Mehio
 D650,520 S 12/2011 Timmermans
 D658,807 S 5/2012 Aboushi
 8,342,768 B1 1/2013 Johnston et al.
 D684,313 S* 6/2013 Wu D27/164
 8,490,629 B1 7/2013 Shenassa et al.
 D692,548 S 10/2013 Wirz
 D692,550 S 10/2013 Wirz
 D699,037 S 2/2014 Morrison
 D710,984 S 8/2014 Hsiao
 D711,522 S 8/2014 Hsiao
 D711,523 S 8/2014 Hsiao
 D711,524 S 8/2014 Hsiao
 D711,656 S 8/2014 Brewer et al.
 D715,553 S 10/2014 Brewer et al.
 D717,994 S 11/2014 Alima
 D722,720 S 2/2015 Garbo
 8,955,521 B1 2/2015 Hanson
 8,973,585 B2 3/2015 Goldstein
 D726,364 S 4/2015 Weigensberg
 D726,365 S 4/2015 Weigensberg
 D728,854 S 5/2015 Siniakov
 D729,976 S 5/2015 Mehio
 D733,280 S 6/2015 Bourne
 D736,644 S 8/2015 Hamilton
 D739,601 S 9/2015 Bahbah
 D740,681 S 10/2015 Hamilton
 D741,003 S 10/2015 Von Schoultz
 D742,587 S 11/2015 Masri
 D743,098 S 11/2015 Hehir
 D745,738 S 12/2015 Abdelmaseh
 D745,739 S 12/2015 Abadi et al.
 D745,994 S 12/2015 Hanna
 D749,262 S 2/2016 Schoenfeld
 D751,755 S 3/2016 Van Riper
 D754,392 S 4/2016 Helou
 D754,914 S 4/2016 Helou
 D754,915 S 4/2016 Helou
 D754,918 S* 4/2016 Jergenson D27/163
 D755,439 S 5/2016 Helou
 D757,355 S 5/2016 Al Arja et al.
 D757,357 S 5/2016 Helfrich
 D758,003 S 5/2016 Merwin
 D758,648 S* 6/2016 Wu D27/101
 D759,305 S 6/2016 Gamble et al.
 D762,004 S 7/2016 Kesselman
 D768,917 S 10/2016 Salem

D783,209 S 4/2017 Morris
 D785,236 S 4/2017 Elhalwani
 D787,715 S 5/2017 Nechita et al.
 D790,123 S 6/2017 Beer et al.
 D790,124 S 6/2017 Beer et al.
 D790,125 S 6/2017 Beer et al.
 D790,767 S 6/2017 Rush et al.
 9,700,198 B1 7/2017 Olson
 D802,727 S 11/2017 Cabrera
 9,848,637 B2* 12/2017 Haddad A24F 1/32
 D806,945 S 1/2018 Lepper
 D807,578 S 1/2018 Barkowski
 D809,193 S 1/2018 Mcintyre et al.
 D818,639 S 5/2018 Kayvon et al.
 9,955,722 B2 5/2018 Reyes et al.
 D820,516 S 6/2018 Swanson et al.
 D825,101 S* 8/2018 Hoch D27/162
 D825,839 S 8/2018 Rhoades
 D832,502 S 10/2018 Durand
 D838,409 S 1/2019 Reimann
 D872,357 S* 1/2020 Hoch D27/194
 2003/0146360 A1 8/2003 Steinmetz et al.
 2006/0086364 A1 4/2006 Liu
 2006/0207621 A1 9/2006 Shraiber
 2007/0034219 A1 2/2007 Affinito
 2007/0071542 A1 3/2007 Cicero
 2009/0258117 A1* 10/2009 Lee A24F 1/32
 426/104
 2011/0005533 A1 1/2011 Evans
 2011/0167836 A1 7/2011 Zorovich et al.
 2012/0006970 A1 1/2012 Evans et al.
 2012/0200079 A1 8/2012 Williams
 2012/0205331 A1 8/2012 Stejskal et al.
 2013/0032159 A1 2/2013 Capuano
 2013/0104738 A1 5/2013 Goldstein
 2014/0130812 A1 5/2014 Kling et al.
 2014/0182604 A1 7/2014 Hutton
 2014/0326256 A1 11/2014 McKay
 2014/0338679 A1 11/2014 Gransar
 2015/0068540 A1 3/2015 Hoch et al.
 2015/0167884 A1 6/2015 King et al.
 2015/0181931 A1 6/2015 Hoover et al.
 2015/0257443 A1 9/2015 Rado
 2015/0342250 A1 12/2015 Hoch et al.
 2016/0249678 A1 9/2016 Katz
 2016/0295911 A1 10/2016 Kalousek
 2017/0055579 A1 3/2017 Kuna et al.
 2017/0056607 A1 3/2017 Jones
 2017/0099872 A1 4/2017 Reimann
 2017/0099874 A1 4/2017 Reimann
 2017/0105447 A1 4/2017 Gay
 2017/0143035 A1 5/2017 Pucci
 2017/0361040 A1 12/2017 Trzeciecki
 2018/0027872 A1 2/2018 Galaviz, Jr.

FOREIGN PATENT DOCUMENTS

CN 300807820 7/2008
 CN 3010373742 12/2009
 CN 301146305 2/2010
 CN 302311386 S 1/2013
 CN 302311389 1/2013
 CN 302343695 3/2013
 CN 203646495 U 6/2014
 CN 302933191 S 9/2014
 CN 302996416 11/2014
 CN 303120981 3/2015
 CN 303322979 S 8/2015
 CN 303350916 S 8/2015
 CN 303417590 10/2015
 CN 303544998 1/2016
 CN 303574257 1/2016
 CN 303781526 S 8/2016
 CN 303865031 S 9/2016
 CN 303972355 S 9/2016
 CN 303939468 S 11/2016
 CN 304133137 S 5/2017
 CN 206294887 U 7/2017
 CN 304195595 S 7/2017

(56)

References Cited

FOREIGN PATENT DOCUMENTS

CN	304355617 S	11/2017
CN	304355618 S	11/2017
CN	304790175 S	8/2018
CN	304840656 S	10/2018
CN	304947931 S	12/2018
CN	304982670 S	1/2019
EM	000855317-0002	2/2008
EM	002198838-0002	5/2013
EM	002546481-0002	10/2014
JP	D1478668	8/2013
JP	D1537305	10/2015

OTHER PUBLICATIONS

11" Dual Honeycomb Elbow Sidecar Water Pipe / 4 Aces Wholesale; Dec. 7, 2017 <https://4aceswholesale.com/11-Dual-Honeycomb-Elbow-Sidecar-Water-Pipe>, 2 pages.

12; Dec. 19, 2017; <https://www.funkypiece.com/Grav-Labs-Aqua-Green-Spoon-Pipep/1208.htm>; 8 pages.

127; Dec. 19, 2017; https://www.artfire.com/ext/shop/product_view/LeoGlassworks/12723637/bb8_marble_blue_spoon_pipe; 3 pages.
2015-new-spoon-pipe-glass-handy-; Dec. 19, 2017; <https://www.dhgate.com/product/2015-new-spoon-pipe-glass-handy-pipeglass/240336898.html>; 3 pages.

2016-new-arrival-smoking-pipe-gl; Dec. 19, 2017; <https://www.dhgate.com/product/2016-new-arrival-smoking-pipe-glassspoon/373506482.html>; 3 pages.

2018 22cm Tall Mobius Matrix Sidecar Glass Bubbler Pipe Bubbler Glass Bong Vase Per . . . / DHGate.com; Dec. 7, 2017 <https://www.dhgate.com/product/22cm-tall-mobius-matrix-sidecar-glassbubbler/385497852.html>, 3 pages.

2018 Glass Oil Rigs with 4mm Quartz Banger Nail Thick Glass Bongs Male Joint 14.5mm Bubbler Dab Rig; Dec. 11, 2017 <https://www.dhgate.com/product/toro-glass-oil-rigs-with-4mm-quartzbanger/384573278.html#s1-0-1b;srpl0418288305>, 3 pages.

2018 Hot Sell Sidecar Glass Bong Water Pipe Smoking Pipe Water Pipe Bongs With Fritt . . . / DHGate.com; Dec. 7, 2017 <https://www.dhgate.com/product/hot-sell-glass-bong-glass-smoking-pipe-with/205698028.html>, 3 pages.

2018 Mini Hookah Glass Bongs Sidecar Design Snowman Bong Dab Rigs 14.5 Male Join . . . / DHGate.com; Dec. 7, 2017 <https://www.dhgate.com/product/mini-hookah-glass-bongs-sidecar-designsnowman/406309950.html#s1-5-1;disc13599369937>, 4 pages.

420 Science "Kargo 2" Sidecar Bubbler / Smoke Cartel Dec. 8, 2017 <https://www.smokecartel.com/products/420-science-kargo-2-sidecar-bubbler>, 7 pages.

5-black-white-dichro-he; Dec. 19, 2017; <https://www.pipesbyga.com/product-page/5-black-white-dichro-heavy-glass-spoon-pipe>; 1 page.

7" Stemless + Honeycomb + Showerhead + Sidecar water pipe/ rig / 420 Glass City; Dec. 7, 2017 http://www.420glasscity.com/7-STEMLESS-HONEYCOMB-SHOWERHEAD-SIDECAR-waterpipe-rig_p_300.html, 3 pages.

AEON Glass by Jhanpixel / Page 18/ FC Vaporizer Review Form, FuckCombustion; Dec. 11, 2017 <http://fuckcombustion.com/threads/aeon-glass-by-jhanpixel.7673/page-18>, 19 pages.

AMG Red Eye Design Showerhead Sidecar Oil Rig for sale / King's Pipe; Dec. 7, 2017 <https://vwww.kings-pipe.com/AMG-red-eye-showerhead-sidecar-oil-rig-p/wp-196.htm>, 6 pages.

best-spoon-pipes-reviewed; Dec. 19, 2017; <https://collegeofcannabis.com/reviews/best-spoon-pipes-reviewed/>; 4 pages.

big-spoon-pipe-octopus-starfish; Dec. 19, 2017; <https://www.bongin.com/big-spoonpipe-octopus-starfish>; 3 pages.

black-pokemon-go-mystic-4inch-spoon-pipe-on; Dec. 19, 2017; <http://chicpipe.com/black-pokemon-go-mystic-4inch-spoon-pipe-online-for-salep529711.html>; 3 pages.

Borodirect Sandblasted Stemline Perc Rig with Sidecar Mouthpiece / Cloud Chasers; Dec. 8, 2017 <https://www.cloudchasers.com/products/borodirect-sandblasted-stemline-perc-rig-with-sidecarmouthpiece>, 7 pages.

cheech-water-pipes-glass-honey-c; Dec. 19, 2017; <https://www.dhgate.com/product/cheech-water-pipes-glass-honey-cup-miniglass/216667731.html>; 4 pages.

China Sidecar rigs mini glass tobacco bubbler bong smoking matrix PERC water pipe oil . . . / Global Sources; Dec. 7, 2017 <http://www.globalsources.com/gsol/1/Bong/p/sm/1149651685.htm#1149651685>, 3 pages.

China-; Dec. 19, 2017; <http://hfglass.en.made-in-china.com/product/GvIJNacCZFkf/China-Thick-Heady-Tobacco-Wholesale-Smoking-Glass-Pipe-Hookah-Hand-Blown-Spoon-Pipe.html>; 4 pages.

classic-green-spoon-marijuana-p; Dec. 19, 2017; <https://archive.theweedblog.com/classic-green-spoon-marijuana-pipe/>; 3 pages.

Clear 14mm Mini Sidecar Dab Rig/Wicked Sands Glass/Glass & Other Smoking Device . . . ; Explore Sand Glass, Dab Rig, and More!; Dec. 11, 2017 <https://www.pinterest.com/pin/686728643149634849/>, 6 pages.

Cobalt Sprinkler Dab Rig; Dec. 11, 2017 <https://cloudculturestore.com/products/cobalt-sprinkler-vapor-rig>, 6 pages.

color-changing-spoon-pipe-paris; Dec. 19, 2017; <https://www.smoketower.ca/store/color-changing-spoon-pipe-paris-hilton>; 10 pages.

color-explosion-big-spo; Dec. 19, 2017; <https://www.water-bongs-glasspipes.com/color-explosion-big-spoon-pipe/d-37046/>; 6 pages.

colorful-glass-spoon-pipe-hookah; Dec. 19, 2017; <https://www.dhgate.com/product/colorful-glass-spoon-pipe-hookahs-longglass/385608315.html>; 4 pages.

Crystal Ball to Pillar Perc Sidecar Bong—Stash Lab Technologies; Dec. 11, 2017 <https://www.stashlabtechnologies.com/products/dankstop-crystal-ball-to-pillar-perc-sidecarbong>, 5 pages.

Crystal Ball to Pillar Perc Sidecar Bong—Toker Supply; Dec. 11, 2017 <https://www.tokersupply.com/products/crystal-ball-to-pillar-perc-sidecar-bong>, 3 pages.

Dab Bong with Matrix Perc-Sidecar Bubbler Rig / Hasmoke Online Headshop; Dec. 7, 2017 <https://www.hasmoke.com/Mobius-glass-pipe-with-matrix-perc-18-mm-joint-s157.html>, 5 pages.

Dankstop—Honeycomb to Turbine PERC Sidecar Water Pipe/ Dr. Piece; Dec. 7, 2017 <http://piecedr.com/shop/dab-rigs-and-oil-rigs/dankstop-honeycomb-to-turbine-perc-sidecarwater-pipe/>, 2 pages.

dichro_spoon_color_changing_glass_pipe; Dec. 19, 2017; http://www.gogopipes.com/dichro_spoon_color_changing_glass_pipes.html; 6 pages.

doUQjzpBnYRO; Dec. 19, 2017; <http://szbontek.en.made-in-china.com/productgroup/doUQjzpBnYRO/Glass-Hand-pipes-Bubblers-catalog-1.html>; 5 pages.

Empire Glassworks Hootie Owl Vapor Bong / Grasscity; Dec. 11, 2017 https://www.grasscity.com/us_en/empire-glassworks-hootie-owl-vapor-bong.html, 6 pages.

eyce-silicone-spoon-pipe_variant=35; Dec. 19, 2017; <https://smokea.com/products/eyce-silicone-spoon-pipe?variant=35536508865>; 8 pages.

eyce-silicone-spoon-pipe-a; Dec. 19, 2017; <http://afgdistribution.com/index.php/eycesilicone-spoon-pipe-assorted-1Opc-display.html>; 1 page.

Glass SideCar WP1895 Water Pipes / GogoPipes.com; Dec. 7, 2017 <http://www.gogopipes.com/sidecar-water-pipes-wp1895.html>, 4 pages.

Glass_Pipes-Swirl_Spoon_Pipes; Dec. 19, 2017; http://www.gogowholesale.com/Glass_Pipes-Swirl_Spoon_Pipes.html; 2 pages.

glass_spoon_pipe; Dec. 19, 2017; https://www.etsy.com/market/glass_spoon_pipe; 69 pages.

glasscity-clear-glass-spoon-pip; Dec. 19, 2017; https://www.grasscity.com/us_en/glasscity-clear-glass-spoon-pipe-with-cane-swirl-3-inch.html; 6 pages.

glassheads-rainbow-ripper-spoon; Dec. 19, 2017; https://www.grasscity.com/us_en/glassheads-rainbow-ripper-spoon-pipe-with-marblehead.html; 6 pages.

glass-pipes; Dec. 19, 2017; <https://angiesboutiques.com/pipes/glass-pipes.htm1>; 17 pages.

glass-spoon-pipe-green-glass-wi; Dec. 19, 2017; https://www.grasscity.com/us_en/glass-spoon-pipe-green-glass-with-switchbacks-onbowl.html; 6 pages.

(56)

References Cited

OTHER PUBLICATIONS

Glass-Spoon-Pipe-Green-Honeycomb; Dec. 19, 2017; <http://www.cheappipesbongs.com/Glass-Spoon-Pipe-Green-Honeycomb-with-Handlep346035.html>; 7 pages.

glass-spoon-pipe-heavy-gold-f; Dec. 19, 2017; <https://mamarijuana.com/926/bongs/glass-spoon-pipe-heavy-gold-fume-small-heartreview/>; 2 pages.

glass-spoon-pipe-roll-stopper-carb; Dec. 19, 2017; <https://shadedco.com/product/glass-spoon-pipe-roll-stopper-carb-hole/>; 4 pages.

glass-spoon-pipes; Dec. 19, 2017; <https://www.badassglass.com/glass-spoonpipes.html>; 16 pages.

glass-spoon-pipe-sandbla; Dec. 19, 2017; <https://www.etsy.com/listing/165903284/glass-spoon-pipe-sandblasted-spoon>; 3 pages.

glass-spoons-pipes; Dec. 19, 2017; <https://www.everyonedoesit.com/collections/glassspoons-pipes>; 19 pages.

Goo Roo Designs Sidecar Rig / Uncle Ikes Glass & Goods; Dec. 7, 2017 <https://uncleikesglassandgoods.com/product/goo-roo-designs-sidecar-rig-2/>; 4 pages.

Gray-Labs-Clear-Blue-Glass-Spoon-Pip; Dec. 19, 2017; <https://www.funkypiece.com/Grav-Labs-Clear-Blue-Glass-Spoon-Pipe-p/1217.htm>; 8 pages.

Grav-Labs-Two-Foot-Spoon-Pipes-f; Dec. 19, 2017; <http://www.cheappipesbongs.com/Grav-Labs-Two-Foot-Spoon-Pipes-for-Tobaccop346728.html>; 10 pages.

g-spot-glass-spoon-pipe-red-fr; Dec. 19, 2017; https://www.grasscity.com/int_en/gspot-glass-spoon-pipe-red-frit-with-blue-stripe.html; 6 pages.

heady-spoon-pipe-flower-hand-pip; Dec. 19, 2017; <https://www.dhgate.com/product/heady-spoon-pipe-flower-hand-pipes-forsmoking/397847829.html>; 4 pages.

Hitman Glass E-nail Sidecar Rig / HellaWicked Inc.; Dec. 8, 2017 <https://www.hellawicked.com/hitman-glass-e-nail-sidecar-rig>; 2 pages.

Honeycomb to Tornado Perc Sidecar Glass Water Pipe / King's Pipe Online Headshop; Dec. 7, 2017 <https://www.kings-pipe.com/honeycomb-ttornado-sidecar-water-pipe-p/wp-242.htm>; 7 pages.

Honeycomb to Turbine Sidecar Dab Rig / CloudCulture; Dec. 7, 2017 <https://cloudculturestore.com/products/honeycomb-to-turbine-perc-bent-neck-bubblerrig?variant=12146112134>; 6 pages.

http_ehoy; Dec. 19, 2017; <http://ehoy.us/smoking-spoon-pipes/>; 8 pages.

http_smokesy; Dec. 19, 2017; <http://smokesy.com/reviews/best-spoon-pipe-of-2016/>; 20 pages.

http---spoon.edot; Dec. 19, 2017; <http://spoon.edot.us/smoking-spoon/>; 8 pages.

http_stuffforstoners; Dec. 19, 2017; <http://stuffforstoners.com/icy-penguins-glassspoon-pipe/>; 11 pages.

http_sunflowerpipes; Dec. 19, 2017; <http://sunflowerpipes.com/product/saturnraver-glass-pipe/>; 4 pages.

http_vapsterdam; Dec. 19, 2017; <http://vapsterdam.com/blog/glass-spoon-pipesbasics/>; 4 pages.

http_www.formax420; Dec. 19, 2017; <http://www.formax420.com/shop/formax420-glass-spoon-pipe-2/>; 4 pages.

http_nmmmj; Dec. 19, 2017; <https://nmmmj.com/5002/bongs/glass-spoon-pipe/>; 2 pages.

https_nyvapeshop; Dec. 19, 2017; <https://nyvapeshop.com/glass-pipes/>; 22 pages.

https_skyhighsmokeshop; Dec. 19, 2017; <https://skyhighsmokeshop.com/product/vengeance-spoon-pipe/>; 2 pages.

https_www.aevape; Dec. 19, 2017; <https://www.aevape.com/product/4-5-borosilicate-hand-pipe/>; 9 pages.

https_www.glassnation; Dec. 19, 2017; <https://www.glassnation.com/product/eycesilicone-pipe/>; 4 pages.

https_www.hippiebutler; Dec. 19, 2017; <https://www.hippiebutler.com/product/glass-spoon-pipe/>; 2 pages.

https_www.pinterest; Dec. 19, 2017; <https://www.pinterest.com/explore/spoonpipe/>; 5 pages.

https_www.smoknfly (2); Dec. 19, 2017; <https://www.smoknfly.com/product/5-5-green-hand-pipe/>; 4 pages.

https_www.smoknfly; Dec. 19, 2017; <https://www.smoknfly.com/product/meteorholes-glass-spoon-pipe/>; 3 pages.

latticello-bulb-glass-spoon-pipe; Dec. 19, 2017; <https://www.smokingoutlet.net/latticello-bulb-glass-spoon-pipe>; 6 pages.

liberty-503-glass-gear-sandbl; Dec. 19, 2017; <https://www.wickiepipes.com/pipes/liberty-503-glass-gear-sandblsted-fumed-spoon-pipe>; 4 pages.

mav-five-hole-spoon-pip; Dec. 19, 2017; <https://store.nvsglassworks.com/product/mav-five-hole-spoon-pipe-cobalt/>; 7 pages.

Medium Stemless GoG Sidecar Water Pipe with Showerhead Perc—WP1041/ SPS Wholesale; Dec. 7, 2017 <https://spswholesale.com/medium-stemless-gog-sidecar-water-pipe-with-showerhead-percwp1041/>; 3 pages.

multi-colored-5-glass-pipe-spo; Dec. 19, 2017; <https://bizarrosnake.com/product/multi-colored-5-glass-pipe-spoon-shape-insense-holdermanufactured-by-crystal-rose-handmade-glass-art-pipe-inside-double-blown-one-of-a-kinddesign/>; 5 pages.

New Mobius Matrix Sidecar Glass Bong Birdcage Perc Glass Pipe Thick Glass Smoking . . . / DHGate.com; Dec. 7, 2017 <https://www.dhgate.com/store/product/new-mobius-matrix-sidecar-glass-bongbirdcage/377298496.html>; 2 pages.

new-smoking-glass-pipes-new-desi; Dec. 19, 2017; <https://www.dhgate.com/product/new-smoking-glass-pipes-new-designpicture/256081886.html>; 4 pages.

Pink Turbine + Sidecar + Stemless + Black Rim water pipe rig / 420 Glass City; Dec. 7, 2017 http://www.420glasscity.com/PINK-TURBINE-SIDECAR-STEMLESS-BLACK-RIM-water-piperig_p_224.html; 3 pages.

pip; Dec. 19, 2017; <https://www.kings-pipe.com/yellow-techno-glass-spoon-pipe/p/pipe-134.htm>; 3 pages.

pipe-; Dec. 19, 2017; <https://www.kings-pipe.com/amg-blue-lv-spoon-glass-pipe/p/pipe-127.htm>; 4 pages.

pipe-1; Dec. 19, 2017; <https://www.kings-pipe.com/red-techno-glass-spoon-pipe/p/pipe-133.htm>; 3 pages.

pipe-124; Dec. 19, 2017; <https://www.kings-pipe.com/purr-green-spoon-pipe-p/pipe-124.htm>; 4 pages.

pipe-125; Dec. 19, 2017; <https://www.kings-pipe.com/purr-blue-spoon-pipe-p/pipe-125.htm>; 4 pages.

pipe-140; Dec. 19, 2017; <https://www.kings-pipe.com/mav-pink-glass-spoon-pipe/p/pipe-140.htm>; 4 pages.

pipe-206; Dec. 19, 2017; https://www.grasscity.com/us_en/glassheads-inside-outspoon-pipe-usa.html; 6 pages.

pipe-206; Dec. 19, 2017; <https://www.kings-pipe.com/grav-jane-west-spoon-p/pipe-206.htm>; 6 pages.

Purr 14mm Concentrate Full Sidecar Honeycomb—Clear / Windship Trading; Dec. 8, 2017 <http://www.windshiptrading.com/sale-purr-14mm-concentrate-full-sidecar-honeycomb-clear/>; 3 pages.

Purr 4 Inch Spoon Pipe Product Review; Dec. 19, 2017; <https://www.youtube.com/watch?v=4tZjTwBP4XU>; 2 pages.

Purr Glass Honeycomb Sidecar Dab Rig / King's Pipe Online Headshop; Dec. 7, 2017 <https://www.kings-pipe.com/purr-honeycomb-sidecar-dab-rig-p/wp-325.htm>; 5 pages.

red-eye-spoon-pi; Dec. 19, 2017; https://azarius.net/headshop/pipes/glass_pipes/redeye-spoon-pipe/; 7 pages.

Sidecar Rigs Sprinkler Perc Bongs Glass Bongs Glass Smoking Pipe Perc Flow Bong Da . . . / DHGate Alpine Glass; Dec. 7, 2017 <https://www.dhgate.com/store/product/sidecar-rigs-sprinkler-perc-bongs-glassbongs/391352990.html>; 2 pages.

Sidecar Water Pipe—T Perc to Turbine Perc / BadAssGlass.com—YouTube; Dec. 8, 2017 <https://www.youtube.com/watch?v=kUIBBhikgzQ>; 2 pages.

spoon_pipes; Dec. 19, 2017; https://www.etsy.com/market/spoon_pipes; 32 pages.

spoon-pipe (2); Dec. 19, 2017; <http://www.sandipointe.com/appliances/spoon-pipe/>; 2 pages.

spoon-pipe; Dec. 19, 2017; <http://www.bluemaize.net/appliances/spoon-pipe/>; 2 pages.

spoon-pipes; Dec. 19, 2017; <https://www.wickiepipes.com/pipes/glass-pipes/spoonpipes>; 9 pages.

spoon-pipe-vs-sherlock-pipe-supe; author staff writer; Dec. 19, 2017; <https://magazine.grasscity.com/spoon-pipe-vs-sherlock-pipe-superior-smoking-device-3734/>; 9 pages.

Totem Ice; “How to make a pipe out of ice [Part 2 of 2]”; Published Feb. 27, 2010; Youtube; <https://www.youtube.com/watch?v=OTOC68rt7K8>. (Year: 2010), 3 pages.

(56)

References Cited

OTHER PUBLICATIONS

Turbine Sidecar Waterpipe by CLV / Badass Glass; Dec. 7, 2017 <https://www.badassglass.com/turbine-sidecar-waterpipe.html>, 2 pages.

unique-glass-pipes-gray-labs-; Dec. 19, 2017; <https://www.421store.com/products/unique-glass-pipes-grav-labs-pipe>; 3 pages.

Up%20&%20Down%20Sho; Dec. 19, 2017; <http://production.elpasotimes.net/TestLinks/Up%20&%20Down%20Shop/smokingpipes.html>; 2 pages.

USA Assorted GRAV. Labs Frit Hand Pipe 4; Dec. 19, 2017; <http://www.marijuanapackaging.com/assorted-grav-labs-frit-hand-pipe-4.html>; 2 pages.

Wholesale Hookahs At \$22.92, Get 2015 New Mobius Matrix Sidecar Glass Bong Birdca . . . / DHGate.com; Dec. 8, 2017 <https://www.dhgate.com/product/2015-new-mobius-matrix-sidecar-glass-bong/264836611.html>, 4 pages.

Wicked Sands Glass Honeycomb Sidecar Hash Bubbler #bongs #wicksands #vapor #ha . . . / Aqua Lab; Dec. 7, 2017 <https://www.pinterest.com/pin/107242034852412438/>, 3 pages.

Wicked Sands Sidecar Bubbler / Oz Bong; Dec. 7, 2017 <https://ozbongs.com.au/wicked-sands-sidecar-bubbler.html>, 2 pages.

Wizardtooth Glass—Sidecar / Flameworked; Dec. 7, 2017 <https://www.flameworked.com/product/wizardtooth-glass-sidecar/>, 3 pages.

WP-0174 6" Stemless +Barrel Showerhead +Sidecar Water Pipe/rig; Dec. 11, 2017 https://www.usglobalimports.com/product_p/wp-0174.htm, 5 pages.

China Tall Mobius Matrix Sidecar Glass Bong from Jinhua Manufacturer: Yiwu Hao Ke Smoking Supplies Co., Ltd.; Dec. 11, 2017, <http://smokingdogo.manufacturer.globalsources.com/si/6008851944093/pdtl/Bong/1146785450/Tall-Mobius-Matrix-sidecar-glass-bong.htm>, 3 pages.

Upgraded Mobius Matrix sidecar oil rigs glass bongs water pipes birdcage perc 9" inches g . . . / One Smoker; Dec. 7, 2017, [matrix-sidecar-oil-rigsglass-bongs-water-pipes-birdcage-perc-9inches-glass-smoking-pipes-ash-catcher-19mmp48337.html, 2 pages.

JM Flow Sidecar rigs Sprinkler perc bong glass bong glass smoking pipe perc flow bong dab oil rig tornado perc water pipes percolator; Dec. 11, 2017, <https://www.dhgate.com/store/product/2016-new-sprinkler-perc-bongs-glassbongs/386444370.html>, 2 pages.

“American Standard huntley SelectFlo Scrub Brush for Kitchen Faucet \(2-Pack\)-1660403.007—The Home Depot”, American Standard huntley SelectFlo Scrub Brush for Kitchen Faucet \(2-Pack\)-1660403.007—The Home Depot, \[https://www.homedepot.com/p/American-Standard-Huntley-SelectFlo-Sdrub-Brush-for-Kitchen-Faucet-2-Pack-1660403-007/206090739?cm_mmc=Shopping%7cT\]\(https://www.homedepot.com/p/American-Standard-Huntley-SelectFlo-Sdrub-Brush-for-Kitchen-Faucet-2-Pack-1660403-007/206090739?cm_mmc=Shopping%7cT\)

“Brush Attach F for Fisher—Part# 2949-9001”, <https://www.sharpteksupply.com/index.php/catalog/product/view/id/28859/s/fisher-2949-9001/?zmam=25112989&zmas=3&zmac=1&zmap=282121-2949-9001-LE> . . . , Jul. 31, 2018.

“<http://www.vaporizerecig.net/silicone-pipes/silicone-spoon-pipes.html>”.

“<https://oilslickpad.com/collections/spoons/products/silicone-lightweight-spoon>”.

“\[https://oilslickpad.com/products/4-inch-silicone-spoon-glass-bowl?variant=29207607115875&utm_medium=cpc&utm_source=google.&utm_campaign=Google%20Shopping&cmp_id=2045022620&adg_id=72590894296&kwd=&device=c&gclid=Cj0KCQiAk7TuBRDQARIsAMRrfUaDM0KYITmt3KbjA4F9Bw\]\(https://oilslickpad.com/products/4-inch-silicone-spoon-glass-bowl?variant=29207607115875&utm_medium=cpc&utm_source=google.&utm_campaign=Google%20Shopping&cmp_id=2045022620&adg_id=72590894296&kwd=&device=c&gclid=Cj0KCQiAk7TuBRDQARIsAMRrfUaDM0KYITmt3KbjA4F9Bw\)”.

Eyce, “Eyce Molds Eyce Shorty”, <https://eycemolds.com/collections/shop-accessories/products/eyce-shorty#shopify-product-reviews> \(Found Online Aug. 5, 2019; Accessed.Sep. 11, 2019\), Apr. 4, 2019, 8 pages.

Wolff-Mann, Ethan, Finally, a Brush Attachment for Your Sink Sprayer—Reviewed.com Dishwashers, <https://www.reviewed.com/dishwashers/news/finally-a-brush-attachment-for-your-sink-sprayer>, Jun. 4, 2013, 2.](http://www.funny-smoke.com/bongs-water-pipes/upgraded-mobius-</p>
</div>
<div data-bbox=)

* cited by examiner

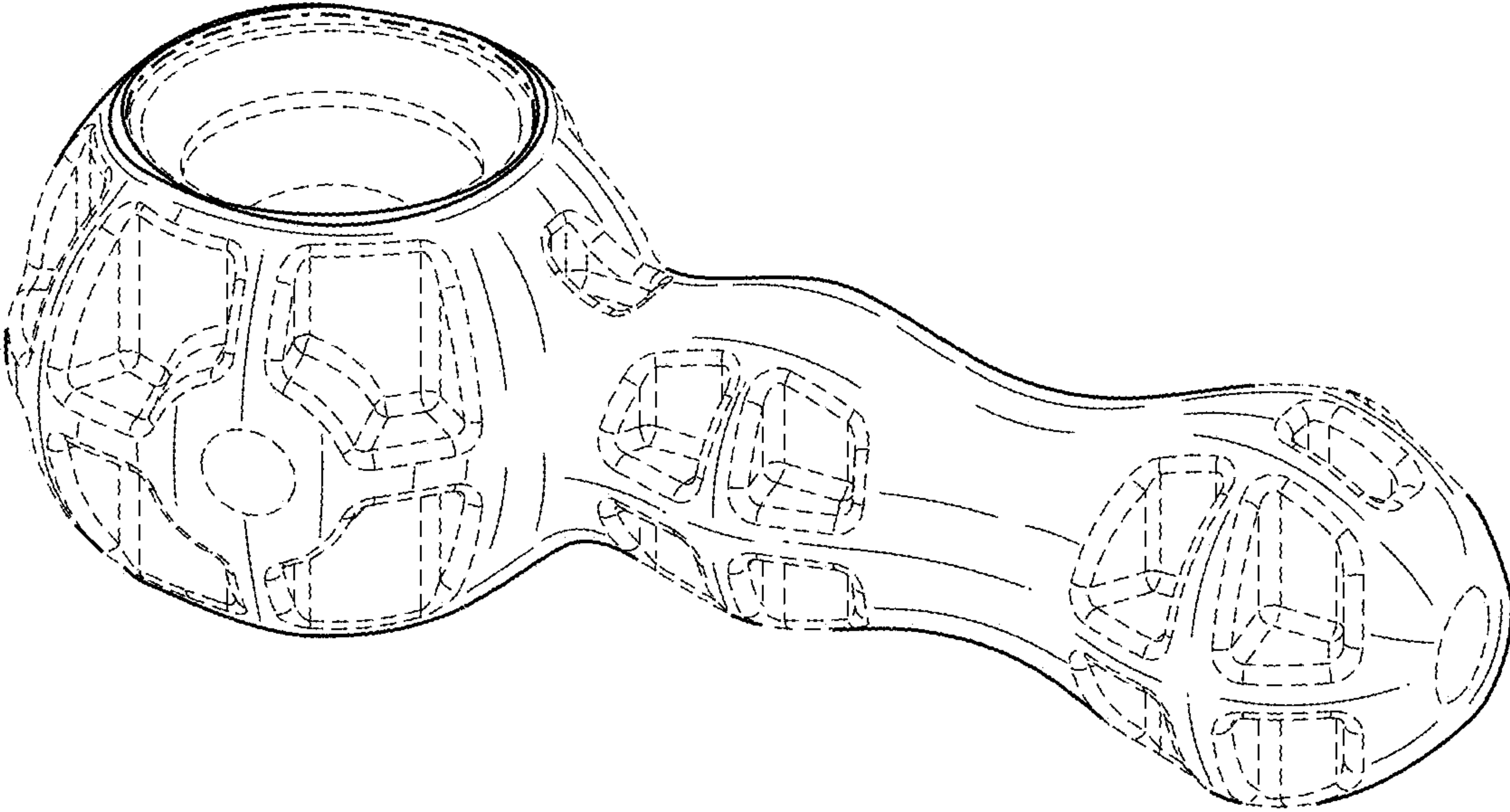


FIG. 1

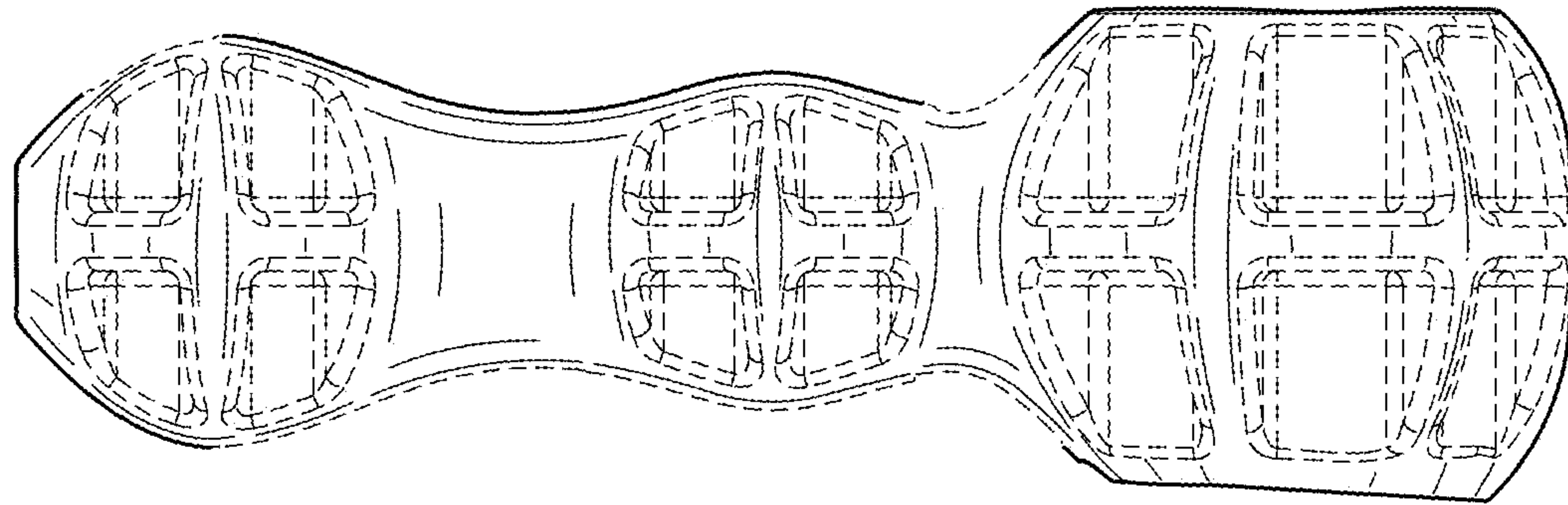


FIG. 2

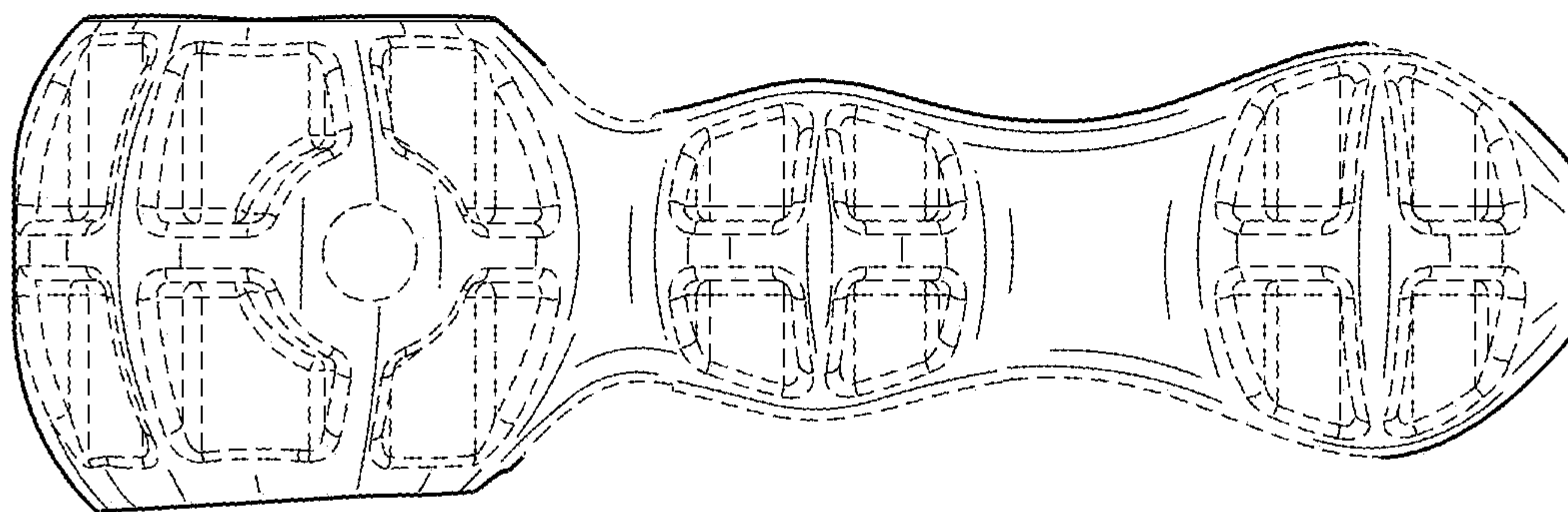


FIG. 3

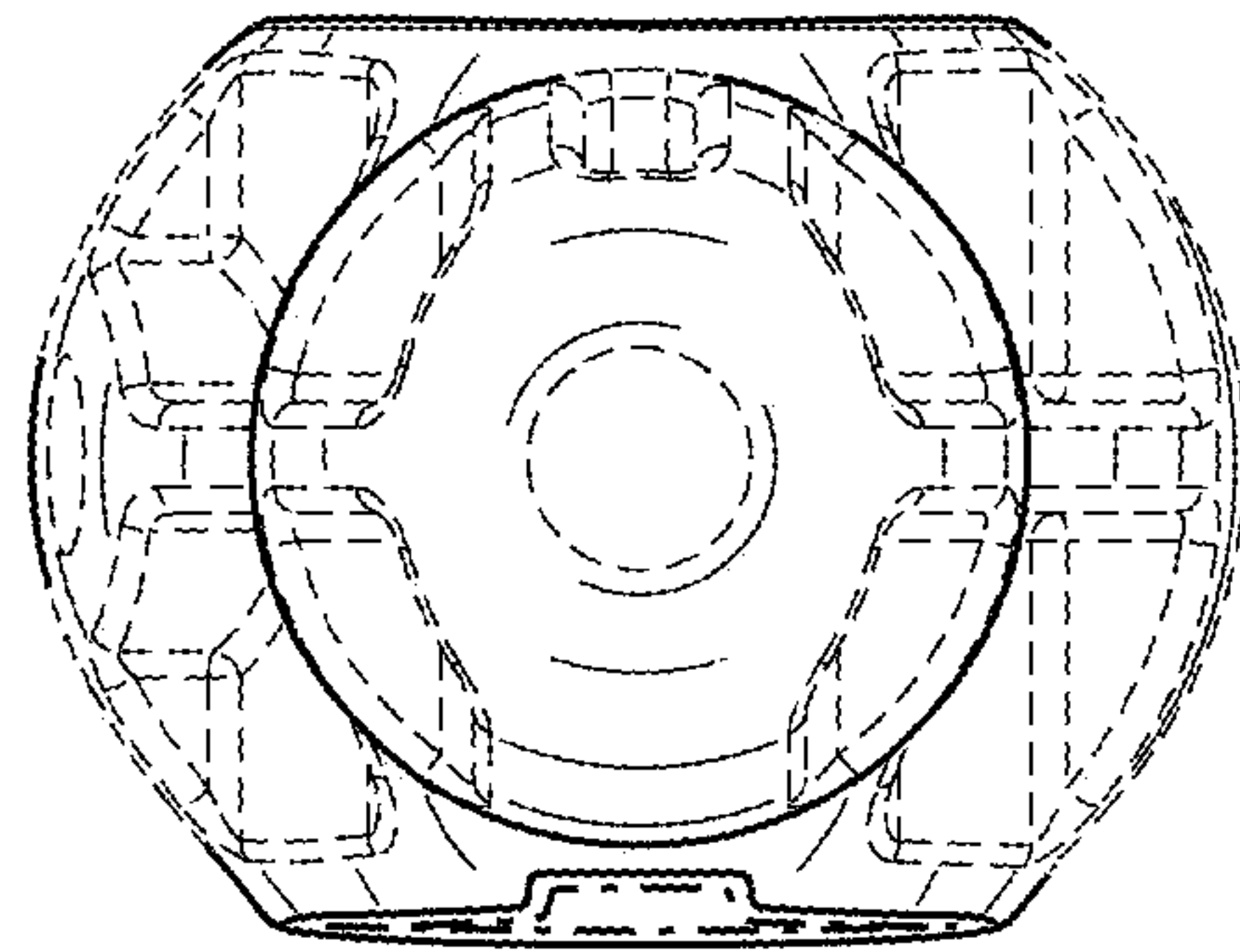


FIG. 4

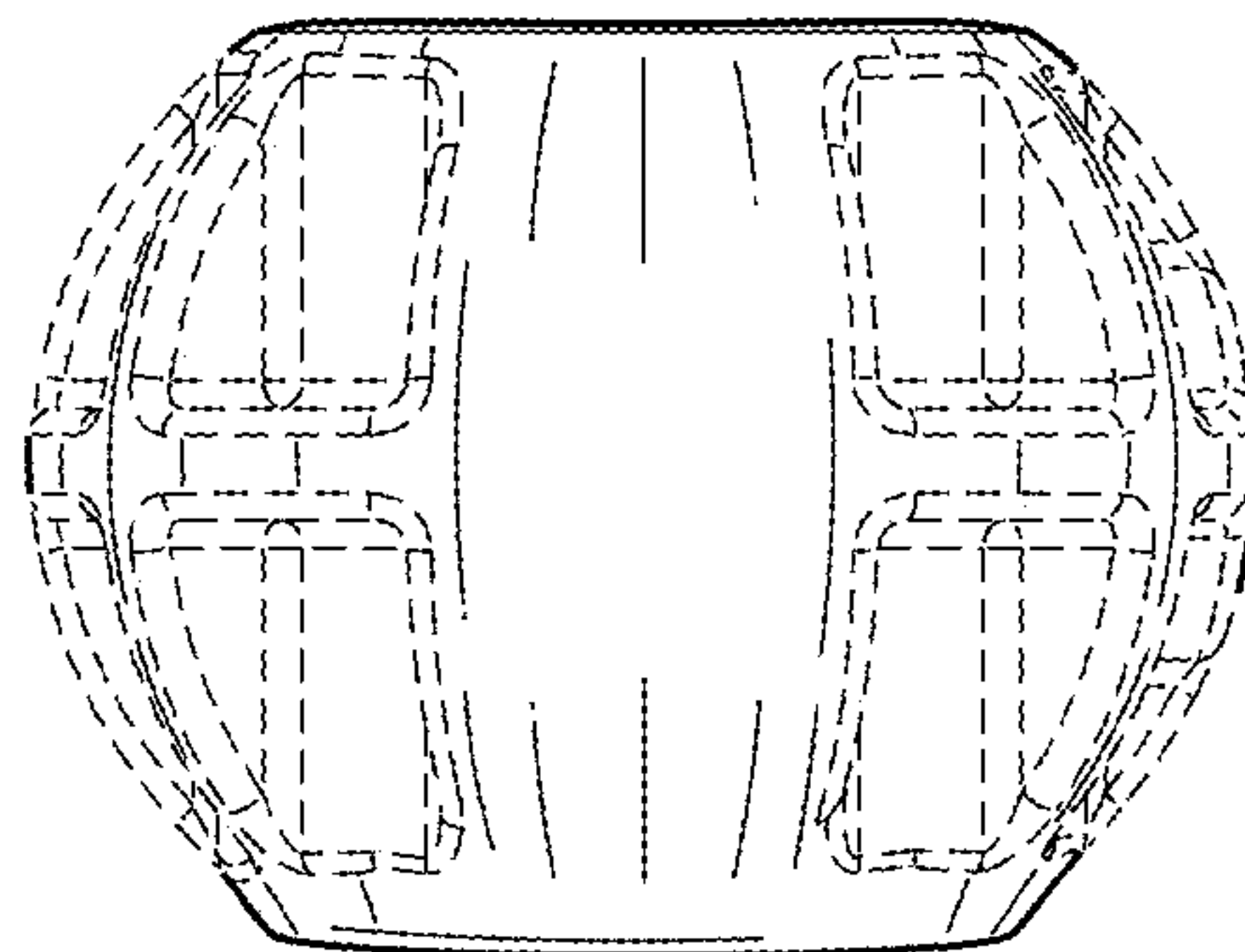


FIG. 5

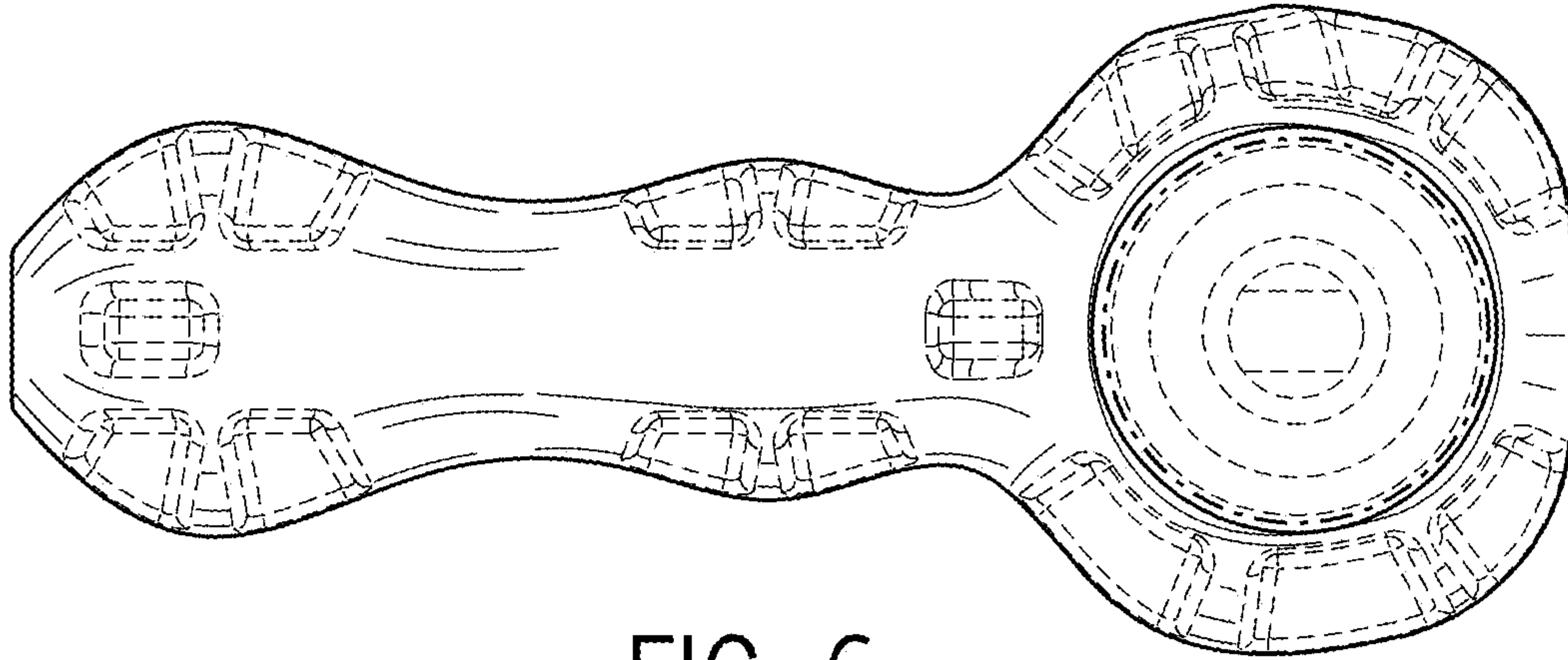


FIG. 6

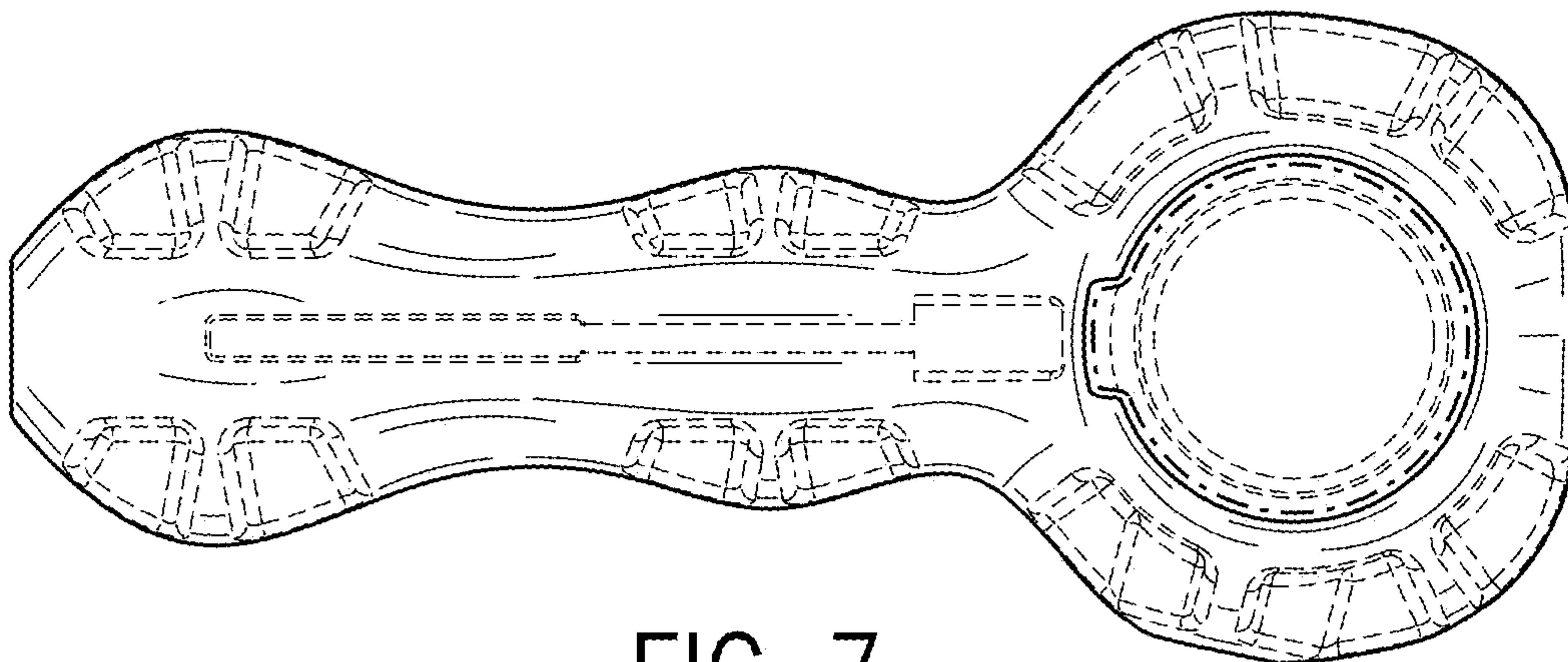


FIG. 7

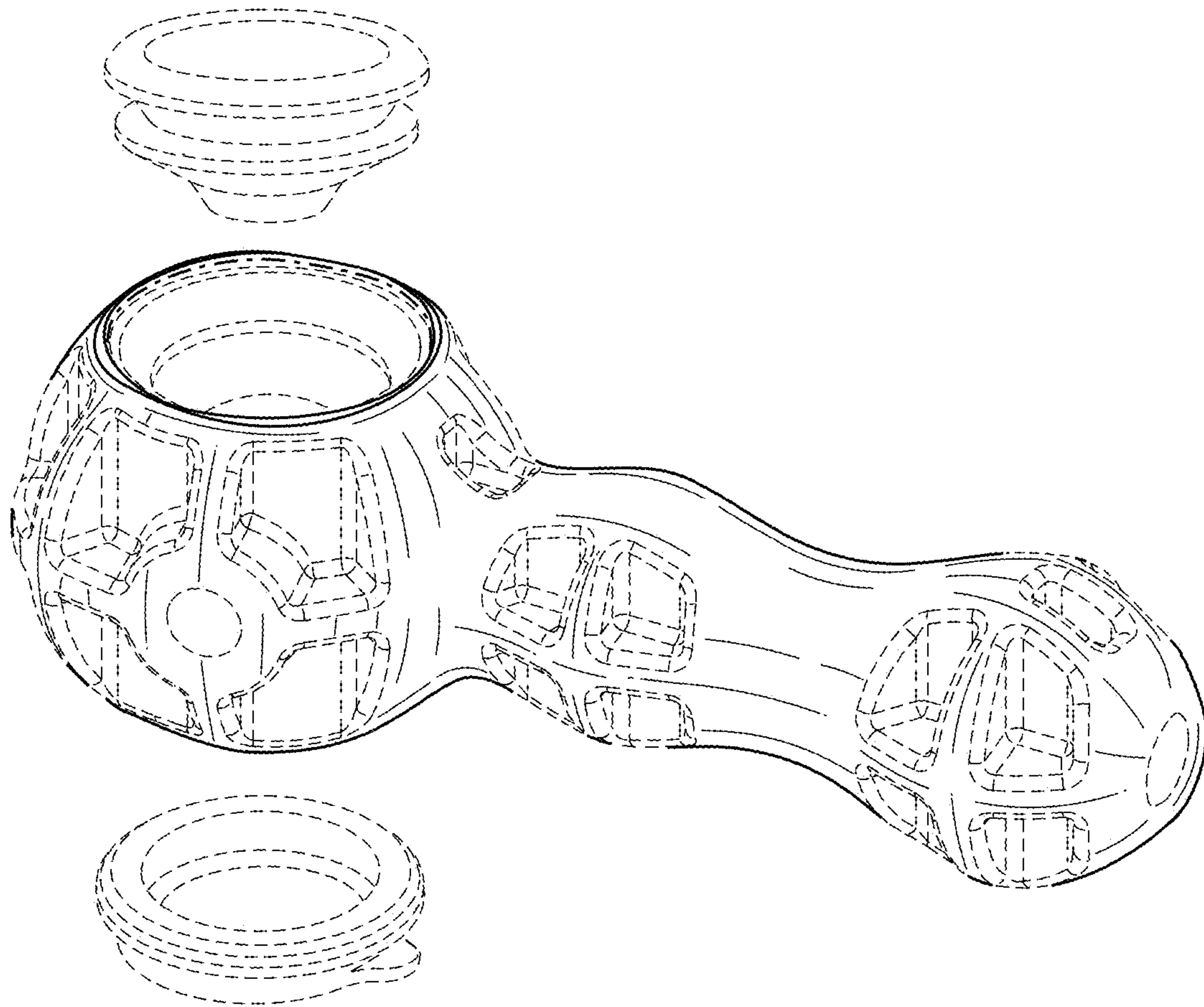


FIG. 8