



US00D909670S

(12) **United States Design Patent** (10) **Patent No.:** **US D909,670 S**
Li (45) **Date of Patent:** **** Feb. 2, 2021**

(54) **ELECTRONIC CIGARETTE MOUTHPIECE**

(71) Applicant: **LUX INTERNATIONAL GROUP,**
Brea, CA (US)

(72) Inventor: **Lingxiao Li,** Walnut, CA (US)

(**) Term: **15 Years**

(21) Appl. No.: **29/714,490**

(22) Filed: **Nov. 22, 2019**

(51) **LOC (13) Cl.** **27-02**

(52) **U.S. Cl.**

USPC **D27/162; D27/167; D27/169; D27/170**

(58) **Field of Classification Search**

USPC D27/139, 141, 142, 143, 144, 145, 147,
D27/149, 153, 154, 162, 164, 165, 166,
D27/167, 169, 170, 171; D24/110, 110.5;
D28/91.1

CPC A24D 1/042; A24D 1/045; A24D 3/045;
A24D 3/043; A24D 3/04; A24D 3/0287;
A24D 3/18; A24D 3/041; A24D 1/02;
A24D 1/04; A24D 3/0295; A24D 3/048;
A24D 1/10; A24F 7/00; A24F 13/02;
A24F 47/008; A24F 15/20; A24F 25/00;
A24F 7/02; A24F 47/00; A24F 47/002;
A24F 7/04; A24F 13/04; A24F 13/06;
A24F 13/14; A24F 13/22; A24F 40/10;
A24F 40/40; A24F 40/42; A24F 40/46;
A24F 40/44; A24F 40/50; A24F 40/90;
A24F 40/51; A24F 40/53; A24F 40/485;
A24F 40/60; A24F 40/70; A24F 40/48;
A24F 40/57; A24F 40/65; A24F 40/20;
A24F 40/30; A24F 40/49; A24F 47/004;
A24F 40/05; A24F 15/015; A24F 1/32;
A24F 40/00; A24F 40/85; A24F 40/95;
A24F 42/60; A24F 9/16; A61M 11/042;
A61M 15/06; A61M 2205/8206; A61M
2205/3653; A61M 2016/0024; A61M
11/005; A61M 2016/0027; A61M
2205/587; A61M 11/044; A61M 15/0085;
A61M 16/0003; A61M 2205/3368; A61M
2205/8256; A61M 11/003; A61M 15/002;

A61M 15/0021; A61M 2016/0021; A61M
11/001; A61M 11/04; A61M 11/041;
A61M 15/0025; A61M 15/008; A61M
2016/0018; A61M 2016/0033; A61M
2016/0039; A61M 2021/0016; A61M
21/00; A61M 2205/0211; A61M
2205/3331; A61M

(Continued)

(56) **References Cited**

U.S. PATENT DOCUMENTS

D505,514 S * 5/2005 Liu D27/141
D820,515 S * 6/2018 Nettenstrom D27/167

(Continued)

FOREIGN PATENT DOCUMENTS

CN 202030018939.2 * 6/2020
CN 202030049907.3 * 6/2020

Primary Examiner — Marissa J Cash

Assistant Examiner — William B Melliar

(74) *Attorney, Agent, or Firm* — Che-Yang Chen; Law
Office of Michael Chen

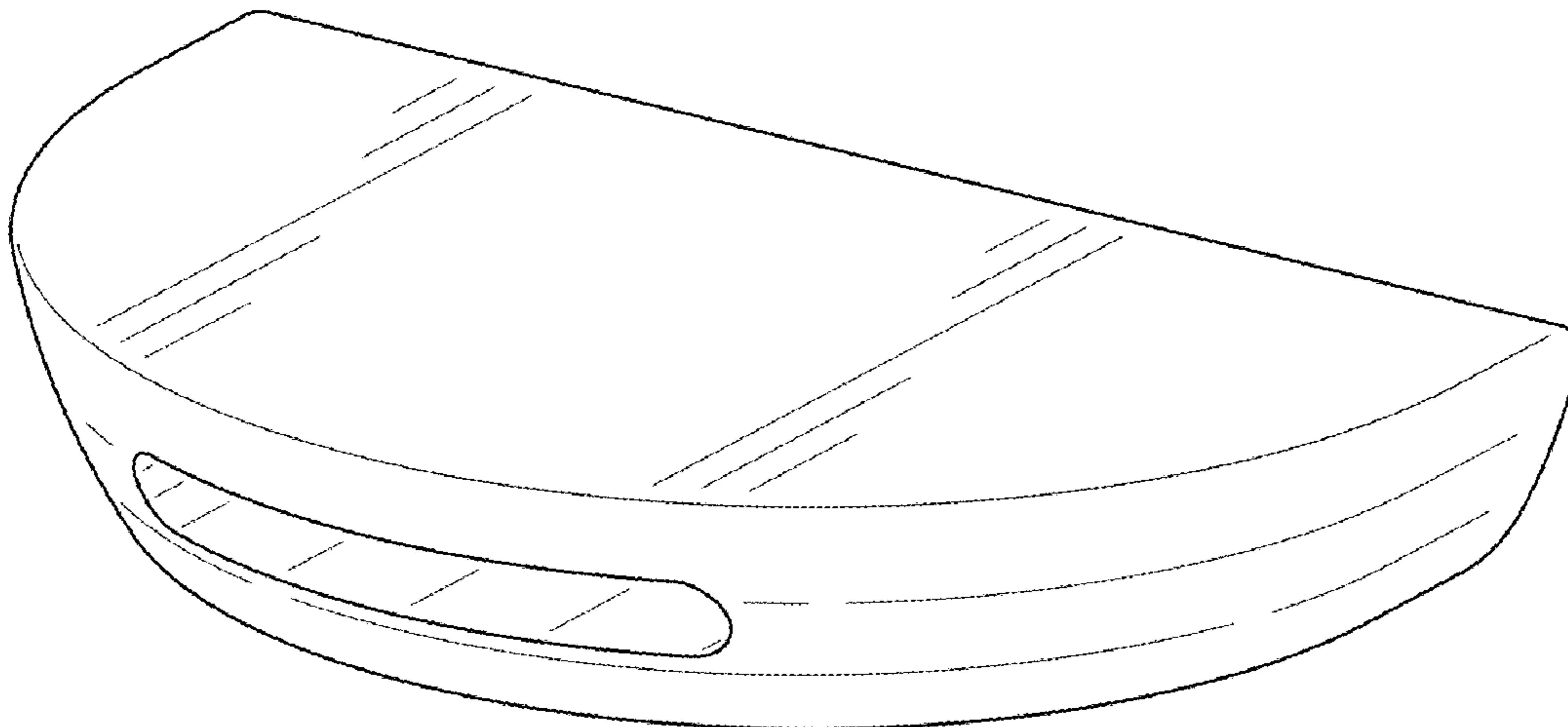
(57) **CLAIM**

The ornamental design for an electronic cigarette mouth-
piece, as shown and described.

DESCRIPTION

FIG. 1 is a top perspective view of an electronic cigarette
mouthpiece showing my new design;
FIG. 2 is bottom perspective view thereof;
FIG. 3 is rear perspective view thereof;
FIG. 4 is a front view thereof;
FIG. 5 is a rear view thereof;
FIG. 6 is a left side view thereof;
FIG. 7 is a right side view thereof;
FIG. 8 is a top view thereof; and,
FIG. 9 is a bottom view thereof.

1 Claim, 6 Drawing Sheets



(58) **Field of Classification Search**

CPC 2205/3334; A61M 2205/3379; A61M
2205/52; A61M 2205/58; A61M
2205/583; A61M 2205/6018; A61M
2205/6054; A61M 2205/75; A61M
2205/8268; A61M 2206/11; A61M
2206/20; A61M 2209/02; A61M 2209/045

See application file for complete search history.

(56) **References Cited**

U.S. PATENT DOCUMENTS

D883,569 S *	5/2020	Powell	D27/170
D885,657 S *	5/2020	Lai	D27/194
D887,631 S *	6/2020	Lai	D27/162
D898,992 S *	10/2020	Chen	D27/162

* cited by examiner

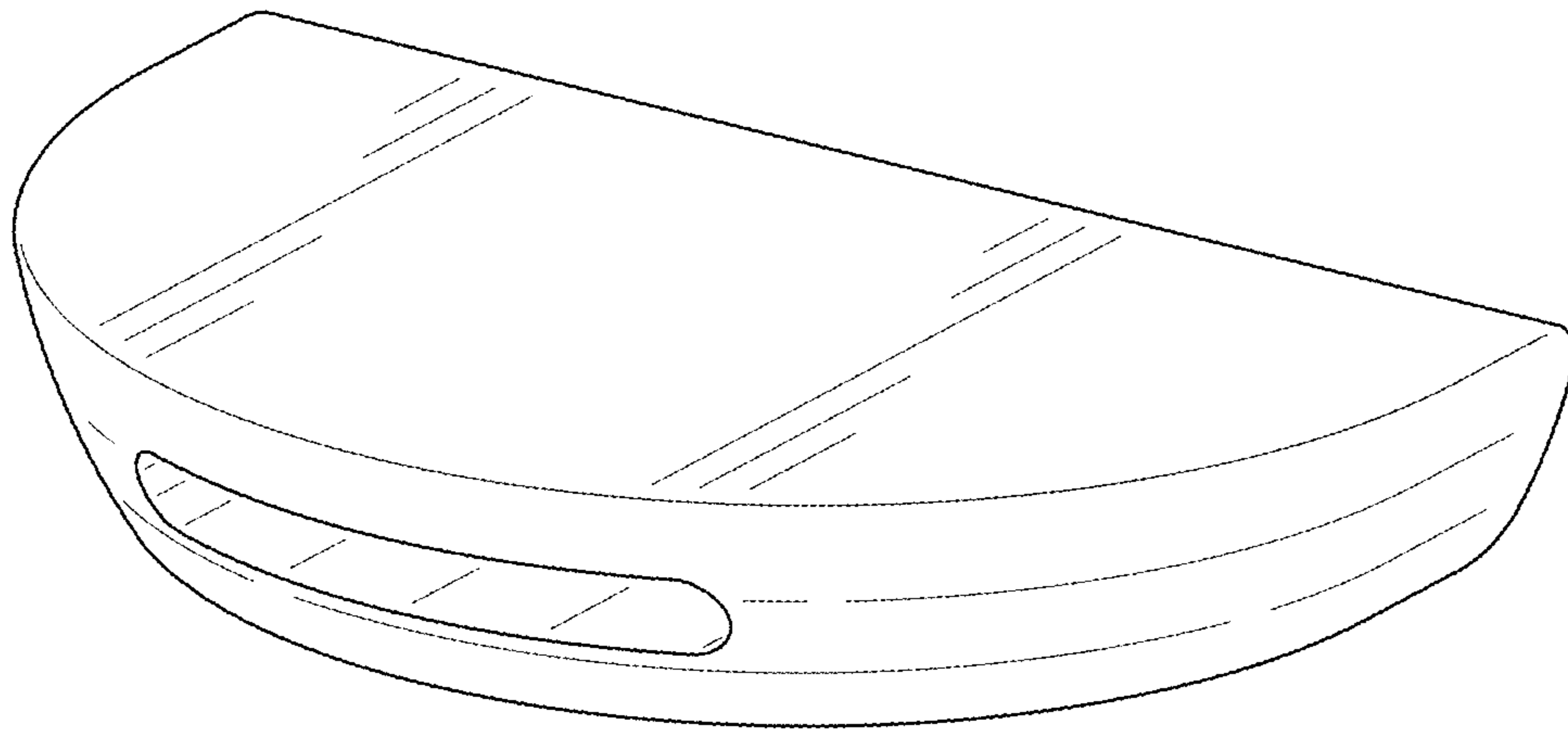


FIG. 1

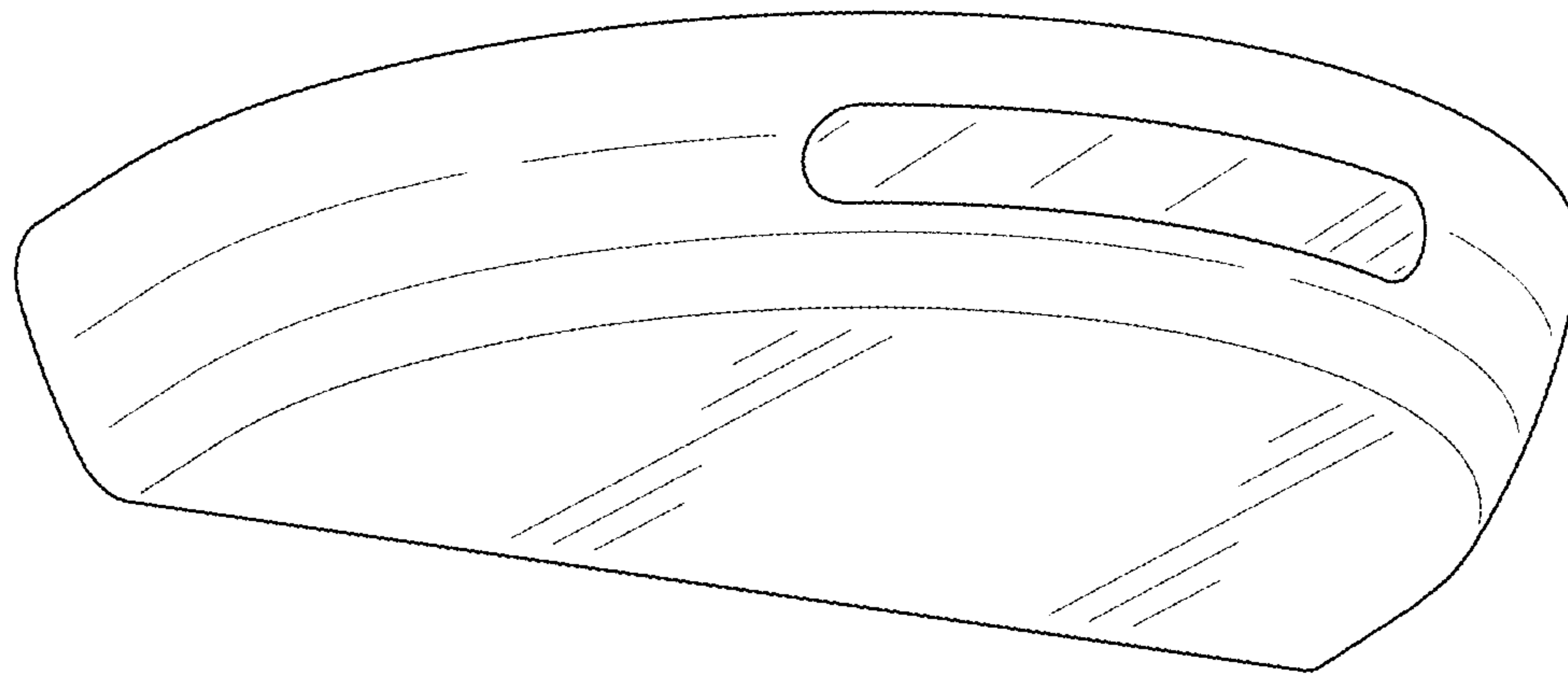


FIG. 2

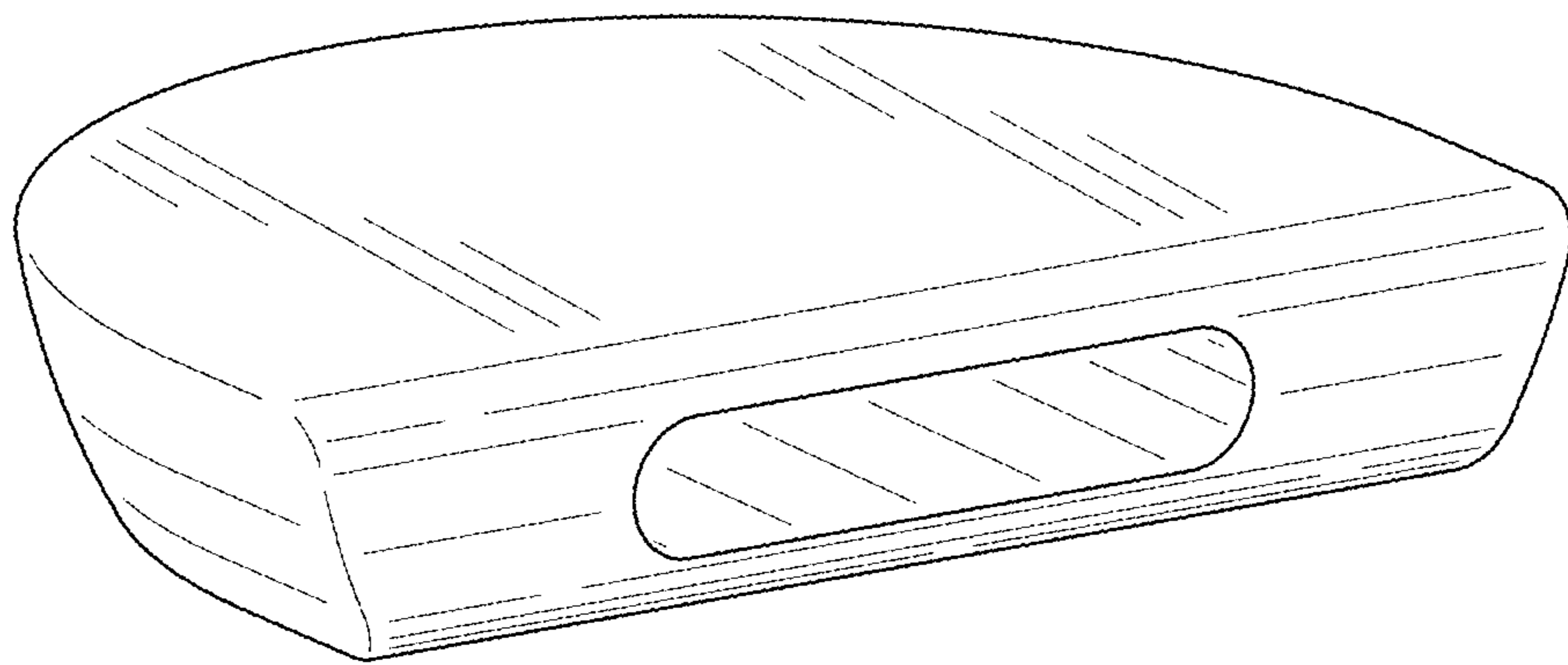


FIG. 3

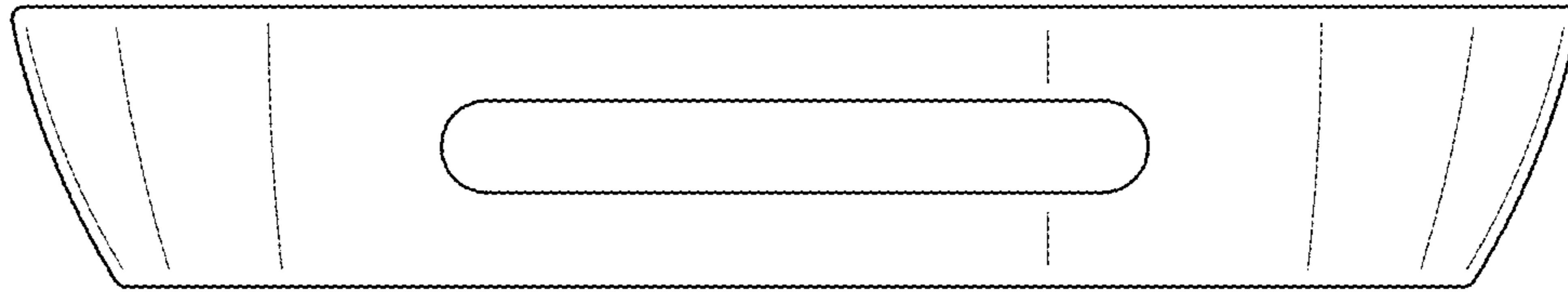


FIG. 4

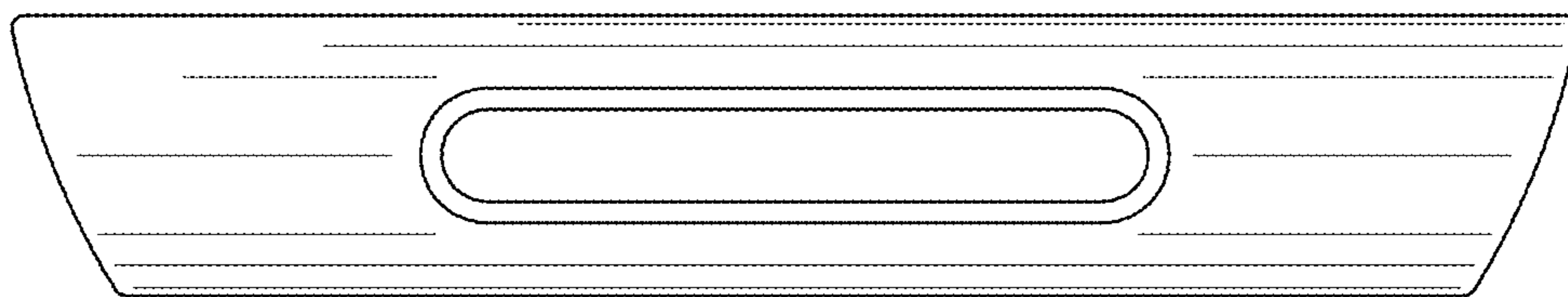


FIG. 5

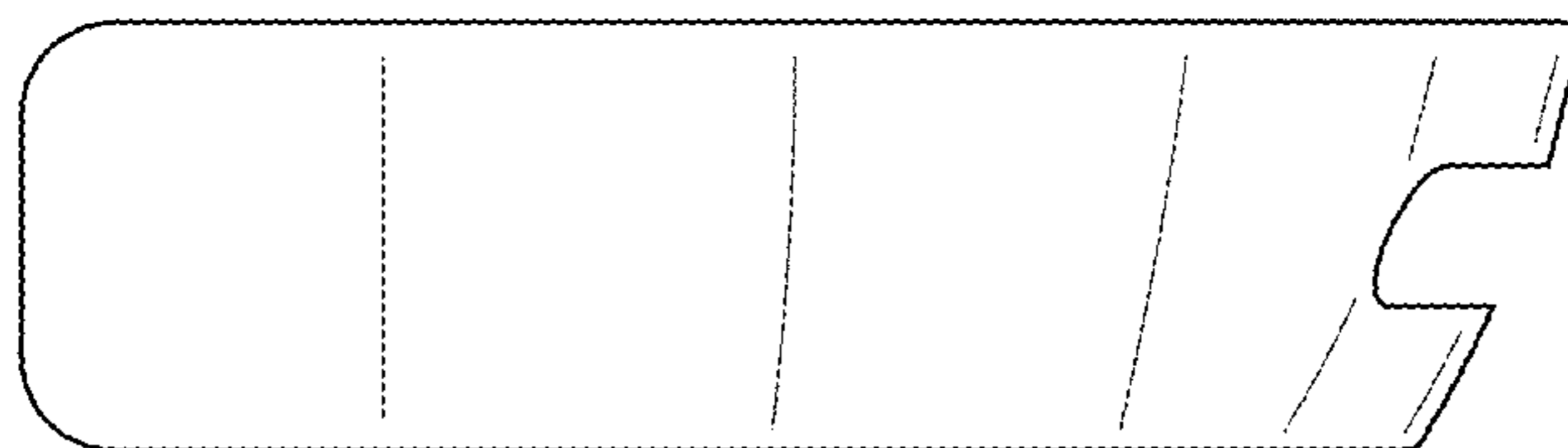


FIG. 6

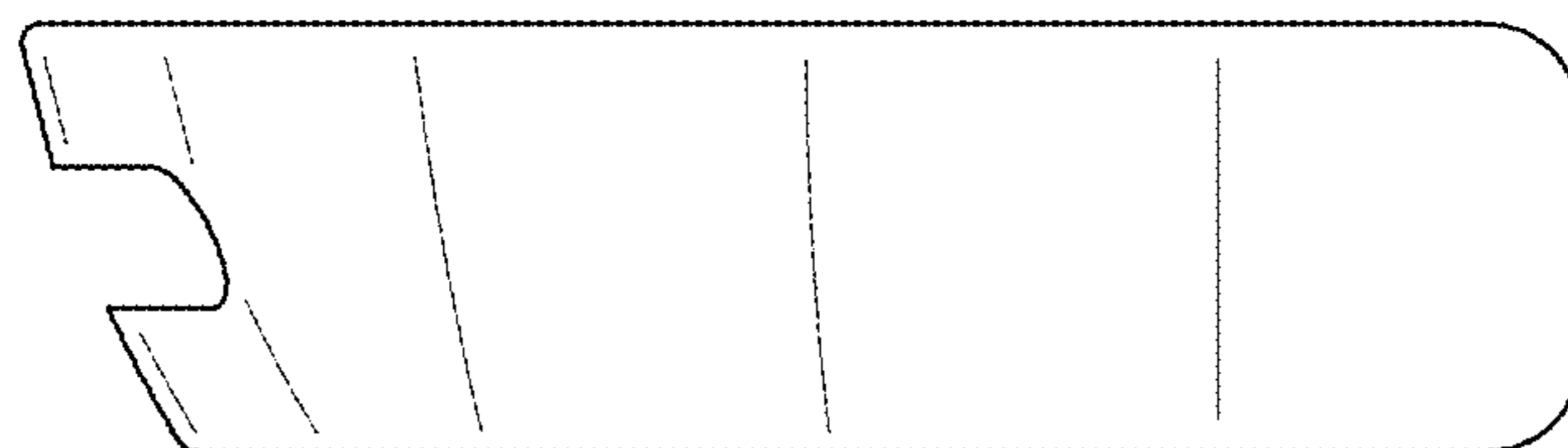


FIG. 7

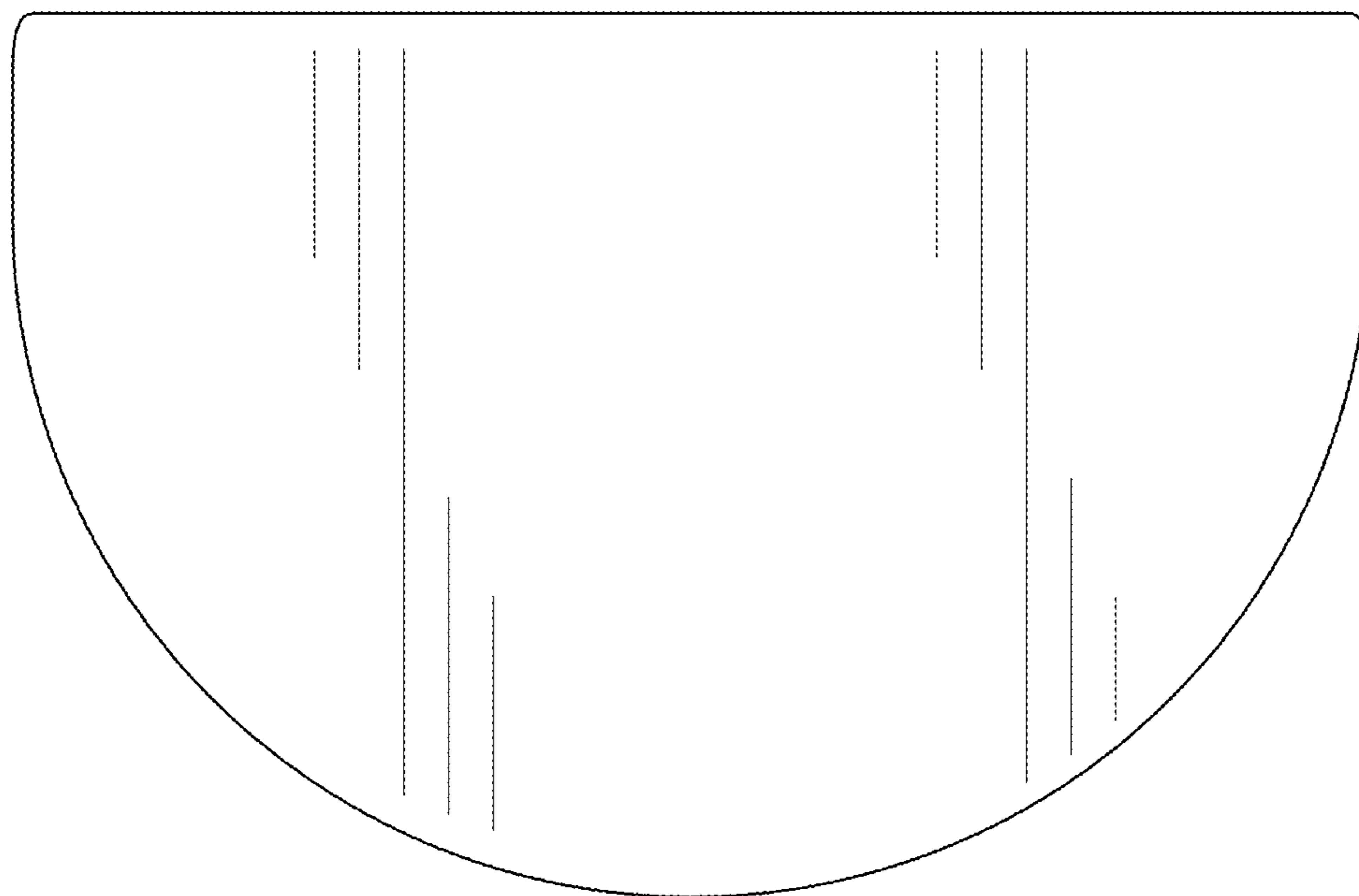


FIG. 8

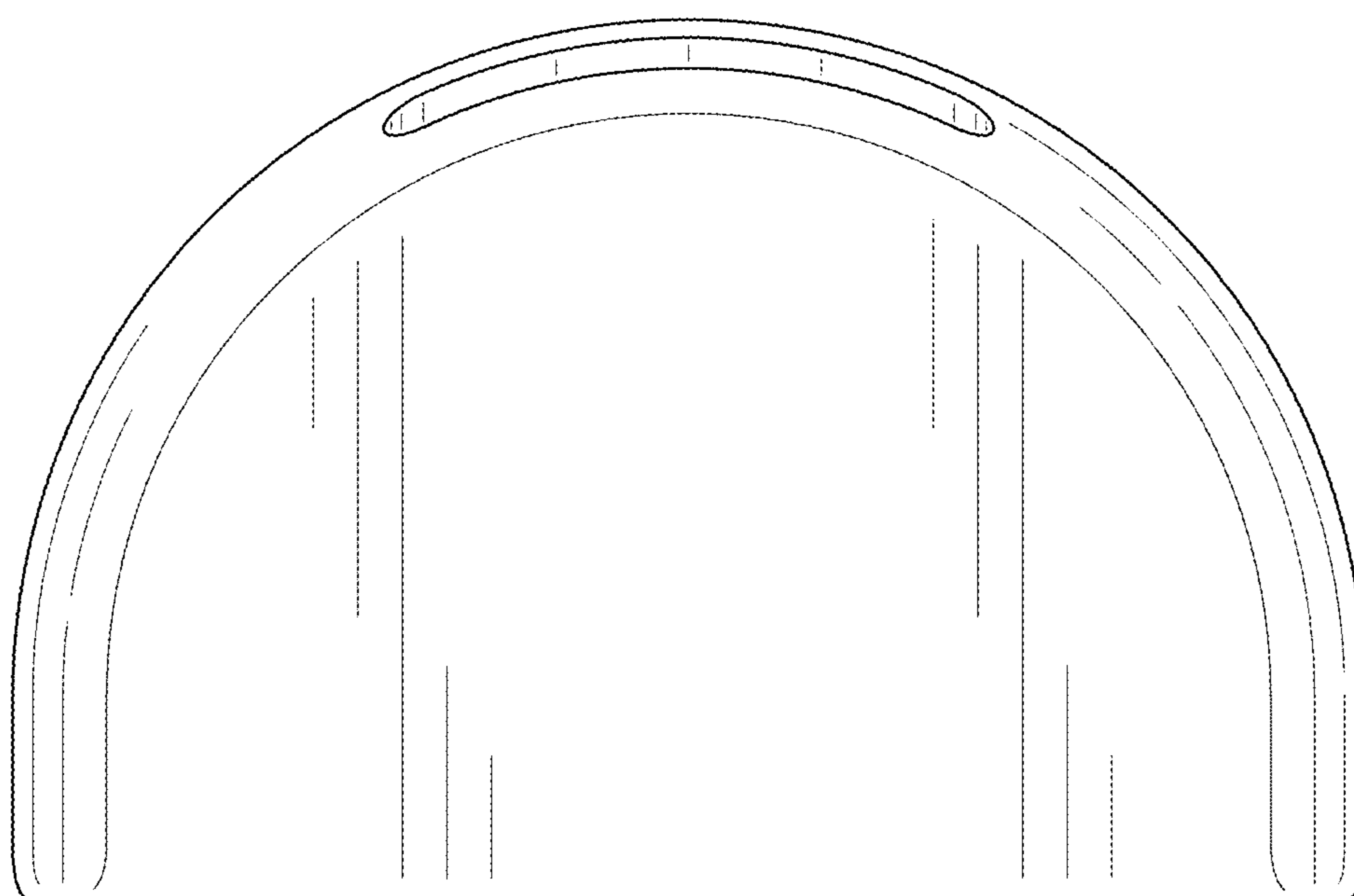


FIG. 9