



US00D909665S

(12) **United States Design Patent** (10) **Patent No.:** **US D909,665 S**
Volodarsky et al. (45) **Date of Patent:** **** Feb. 2, 2021**

(54) **ELECTRONIC VAPORIZER**
(71) Applicant: **Puff Corporation**, Los Angeles, CA (US)
(72) Inventors: **Roger Volodarsky**, Los Angeles, CA (US); **Avi Bajpai**, Los Angeles, CA (US); **Roger Sayre**, Los Angeles, CA (US)

D445,493 S * 7/2001 Nystrom D23/355
D458,639 S 6/2002 Anderson
D460,545 S 7/2002 Hautmann
D465,031 S 10/2002 Lodge
D470,235 S 2/2003 Kumar
D536,434 S * 2/2007 DongSheng D23/366
D543,312 S 5/2007 Guan
(Continued)

(73) Assignee: **PUFF CORPORATION**, Los Angeles, CA (US)

BR DI6002906 3/2002
CN 303259701 6/2015
(Continued)

(**) Term: **15 Years**

FOREIGN PATENT DOCUMENTS

(21) Appl. No.: **29/669,755**

OTHER PUBLICATIONS
Puffco Peak web page located at planetvape.ca 2019.
(Continued)

(22) Filed: **Nov. 11, 2018**

(51) **LOC (13) Cl.** **27-02**

(52) **U.S. Cl.**
USPC **D27/162**

(58) **Field of Classification Search**
USPC D27/162, 100, 101, 163-165, 167, 172, D27/183, 185-192, 194; D24/110, 110.5; D23/360, 362, 355, 356, 358; 128/202.21, 203.12; 131/273, 270, 191, 131/329, 330, 360-365
CPC A24F 47/002; A24F 47/004; A24F 47/006; A24F 47/008; A61M 15/00; A61M 15/06; F24F 6/02; F24F 6/12; F24F 6/00
See application file for complete search history.

Primary Examiner — Marissa J Cash
Assistant Examiner — Rebecca Tsehaye
(74) *Attorney, Agent, or Firm* — Bryan Cave Leighton Paisner LLP

(57) **CLAIM**

The ornamental design for an electronic vaporizer, as shown and described.

DESCRIPTION

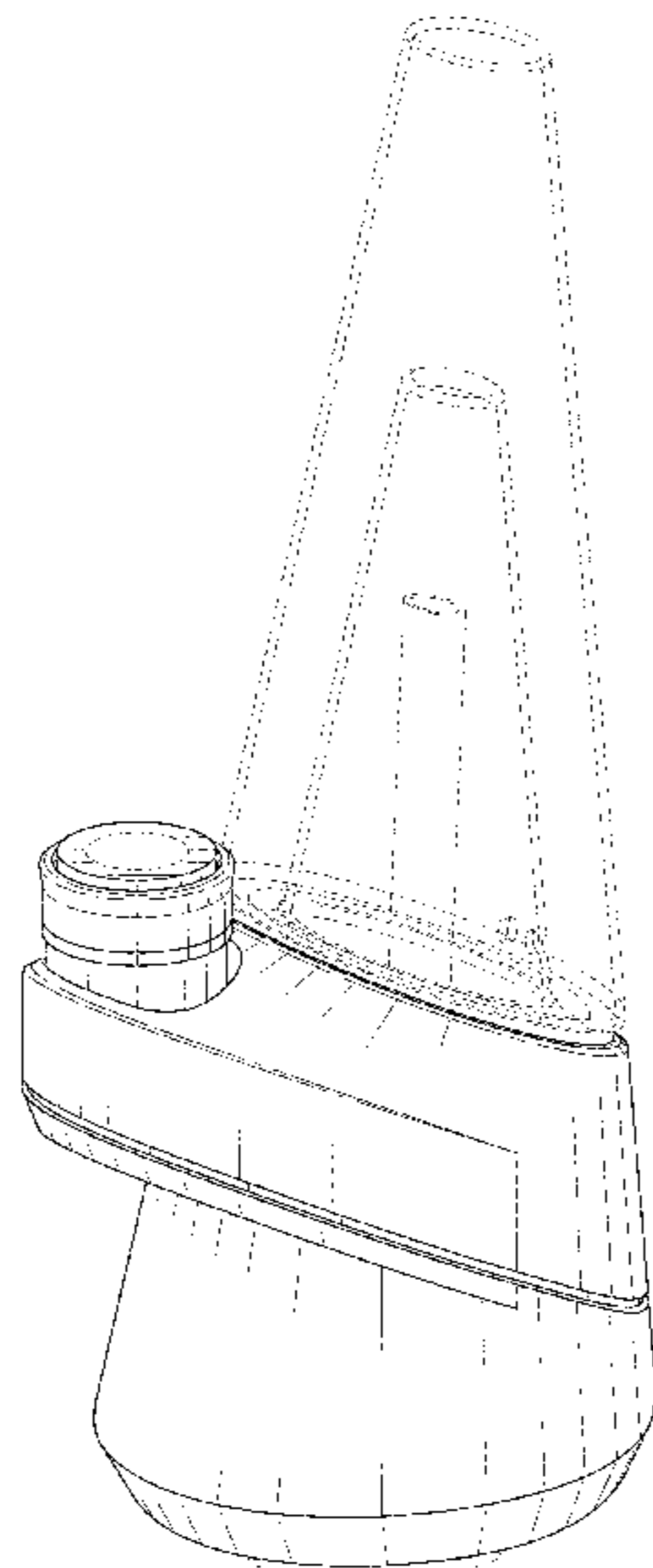
FIG. 1 is a front perspective view of our electronic vaporizer;
FIG. 2 is a front elevational view thereof;
FIG. 3 is a rear elevational view thereof;
FIG. 4 is an elevational view of the right side thereof;
FIG. 5 is a top plan view thereof;
FIG. 6 is a bottom plan view thereof; and,
FIG. 7 is an elevational view of the left side thereof.
The broken lines in the drawings depict portions of the electronic vaporizer that form no part of the claimed design.

(56) **References Cited**

U.S. PATENT DOCUMENTS

D232,355 S 8/1974 Wiedmann
D244,555 S 5/1977 Wiedmann
D246,600 S 12/1977 Kurata
D306,478 S 3/1990 von Philipp
4,960,206 A 10/1990 Johannes
D413,172 S 8/1999 Belschner
D427,691 S 7/2000 Asselta

1 Claim, 6 Drawing Sheets



(56)

References Cited

U.S. PATENT DOCUMENTS

D581,035 S 11/2008 Conway
 D588,687 S 3/2009 Drucker
 D597,191 S 7/2009 Colombo
 D605,303 S 12/2009 Monks
 D608,879 S 1/2010 Colombo
 D613,389 S 4/2010 Jorgensen
 D613,390 S 4/2010 Jorgensen
 D613,624 S 4/2010 Bodum
 D634,832 S 3/2011 Abbondanzio
 D652,571 S 1/2012 Shenassa et al.
 D661,827 S 6/2012 Moetteli
 D670,578 S 11/2012 Perry
 D674,892 S 1/2013 Denton
 D675,308 S 1/2013 Freeborn
 D702,090 S 4/2014 Hogg
 D709,624 S 7/2014 Baum
 D713,100 S 9/2014 Salgueiro
 D720,064 S 12/2014 Li
 D724,264 S * 3/2015 Chambers D27/101
 D724,779 S 3/2015 Liu
 D728,155 S 4/2015 Liu
 D728,382 S 5/2015 Goswell
 D752,278 S * 3/2016 Verleur D27/101
 D752,279 S 3/2016 Liu
 D752,280 S 3/2016 Verleur
 D757,996 S 5/2016 Hua
 D769,519 S 10/2016 Chen
 D772,478 S 11/2016 Liu
 D774,247 S 12/2016 Chen
 D778,460 S 2/2017 Marechal
 D790,122 S 6/2017 Hawes
 D792,645 S 7/2017 Fornarelli
 D800,383 S * 10/2017 Verleur D27/167
 D801,545 S 10/2017 Wiesli
 D802,839 S * 11/2017 Scott D27/194
 D806,941 S 1/2018 Hawes
 D809,190 S 1/2018 Schuler
 D811,931 S 3/2018 Yu
 D812,736 S 3/2018 Parker
 D813,448 S 3/2018 Servutas
 D814,103 S 3/2018 Levinson
 D818,638 S 5/2018 Wright
 D821,641 S * 6/2018 Watson D27/194
 D823,534 S 7/2018 Chen
 D824,586 S 7/2018 Fornarelli
 D825,844 S 8/2018 Verleur et al.
 D827,149 S 8/2018 Self
 D827,152 S 8/2018 Ou
 D828,623 S 9/2018 Fornarelli
 D830,536 S * 10/2018 White D24/110
 D833,030 S 11/2018 Sasano
 D837,999 S 1/2019 Sasano
 D839,446 S 1/2019 Sasano
 D844,441 S 4/2019 DeMarco
 D847,419 S 4/2019 Hawes
 D848,673 S 5/2019 Xu
 D849,318 S 5/2019 Deng et al.
 10,321,714 B1 6/2019 Kane
 D867,657 S * 11/2019 Fornarelli D27/194
 D870,375 S * 12/2019 Patil D27/194
 10,517,334 B1 * 12/2019 Volodarsky A24F 1/30
 D882,867 S * 4/2020 Volodarsky D27/170
 D895,894 S * 9/2020 Bajpai D27/194
 10,813,386 B1 * 10/2020 Bajpai A24F 7/04
 2010/0104993 A1 4/2010 Ryser
 2013/0319437 A1 12/2013 Liu
 2014/0083441 A1 3/2014 Kaplani
 2014/0290677 A1 10/2014 Liu
 2015/0122275 A1 5/2015 Wu
 2015/0257444 A1 9/2015 Chung

2015/0320116 A1* 11/2015 Bleloch H05B 6/108
 219/628

2016/0015082 A1 1/2016 Liu
 2016/0302486 A1 10/2016 Eroch
 2016/0366936 A1 12/2016 Liu
 2017/0027230 A1 2/2017 Fornarelli
 2017/0055579 A1 3/2017 Kuna
 2017/0055588 A1 3/2017 Cameron
 2017/0064994 A1 3/2017 Xu
 2017/0105451 A1 4/2017 Fornarelli
 2017/0202265 A1 7/2017 Hawes et al.
 2017/0251718 A1 9/2017 Armoush
 2018/0125115 A1 5/2018 Mueller
 2018/0271150 A1 9/2018 Sparklin
 2019/0000138 A1 1/2019 Han
 2019/0014822 A1 1/2019 Bless et al.
 2019/0037921 A1 2/2019 Kennedy et al.
 2019/0116884 A1 4/2019 Conley et al.
 2019/0174825 A1 6/2019 Neuhaus

FOREIGN PATENT DOCUMENTS

CN 205285006 6/2016
 CN 304205433 7/2017
 CN 107529827 1/2018
 CN 109275961 1/2019
 CN 208798698 4/2019
 DE 40010509 1/2001
 ES D0518135 11/2013
 FR 960094 5/1996
 MX 22818 5/2007

OTHER PUBLICATIONS

Puff Co., Peak Atomizer Assembly posted on Instagram retrieved from www.instagram.com/p/BfMk5MKIBp1/ Feb. 14, 2018.
 Puff Co. Glass Attachment Video posted on Instagram retrieved from www.instagram.com/p/Bd3DfMRIWLo/ Jan. 12, 2018.
 Puff Co., Puffco Peak Case posted on Instagram retrieved from www.instagram.com/p/Bd027vflYzM/ Jan. 11, 2018.
 Puff Co., Puffco Peak Launch Video posted on Instagram retrieved from www.instagram.com/p/BdtMs4qIHnH/ Jan. 8, 2018.
 Puff Co., Puffco Peak Hero Shot posted on Instagram retrieved from www.instagram.com/p/BdybEMAI_zX/ Jan. 10, 2018.
 Puffco Peak by Sneaky Pete Vaporizers, found online May 31, 2019, located at www.youtube.com/watch?v=7W7zX9LCxoQ Apr. 23, 2018.
 Koerber, B., This weed company just made a smart bong and it's awesome, Mashable, located at mashable.com/2018/01/08/puffco-peak-smart-bong-dab-rig-concentrates/ Jan. 8, 2018.
 Tarantola, A., The Puffco Peak vaporizer is a quick hit of concentrated genius, Engadget, located at www.engadget.com/2018/03/16/puffco-peak-vaporizer-hands-on/?guccounter=1 Mar. 18, 2018.
 Puff Co., Reservations are now open for Peak Atomizer Assembly, retrieved from web.archive.org/web/20180224162936/https://www.puffco.com/ Feb. 24, 2018.
 Puff Co., Peak Video posted on Instagram retrieved from www.instagram.com/p/Bd-oaEkFrXC/ Jan. 15, 2018.
 Puff Co., Puffco Peak Video posted on Instagram retrieved from www.instagram.com/p/BdtMs4qIHnH/ Jan. 8, 2018.
 Puff Co., Introducing the Peak, retrieved from vimeo.com/257080728 Feb. 28, 2018.
 SourceVape.ca, PuffcoPeak, retrieved from planetvape.ca/puffco-peak.html Nov. 21, 2019.
 DHgate.com, SOC Enail Kit 2600mAh Capacity for Very Long Lasting And 4 Led Heat Settings VS Puffco The Lucid Lighting Peak, retrieved from dhgate.com/product/soc-enail-kit-2600mah-capacity-for-very-long/479400626.html Nov. 21, 2019.

* cited by examiner

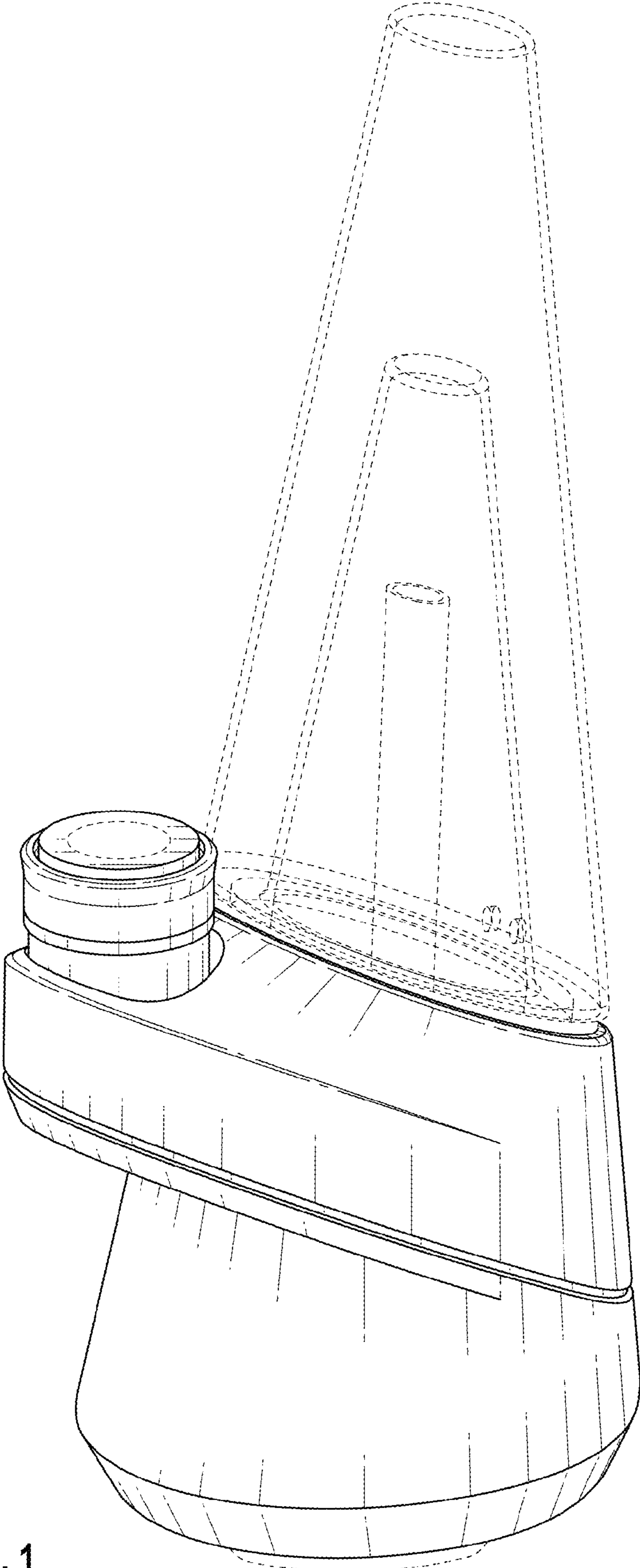


FIG. 1

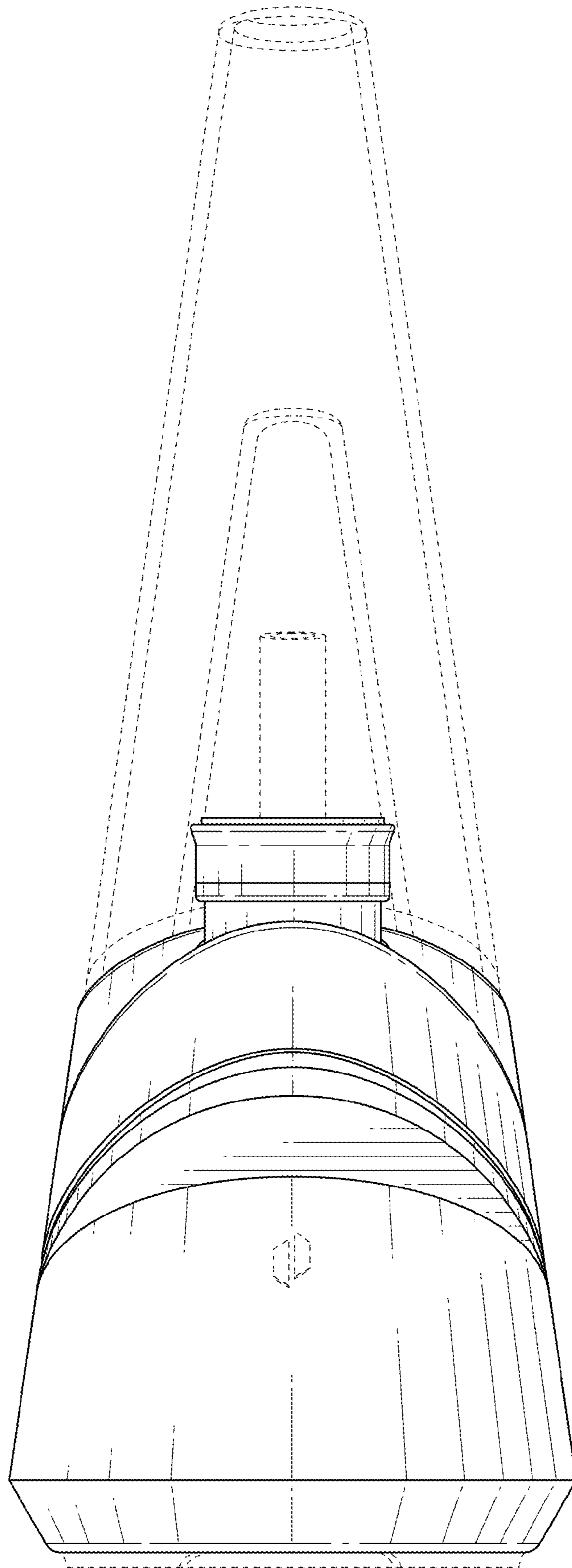


FIG. 2

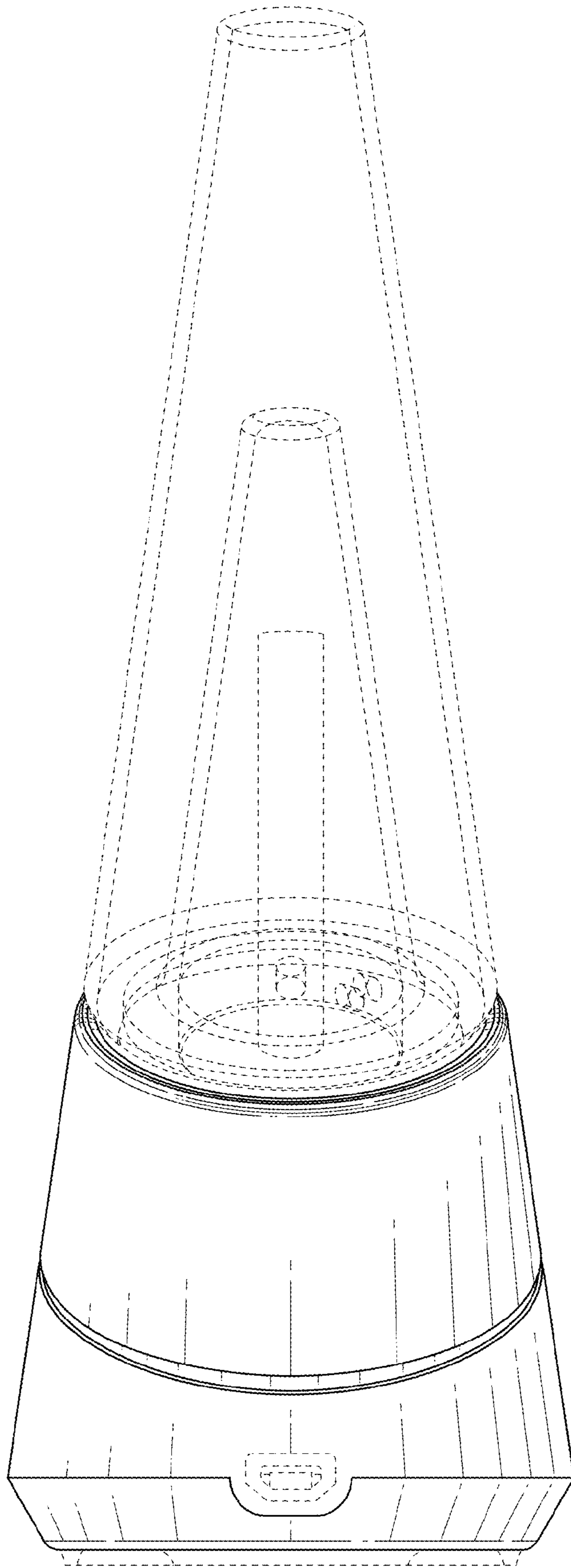


FIG. 3

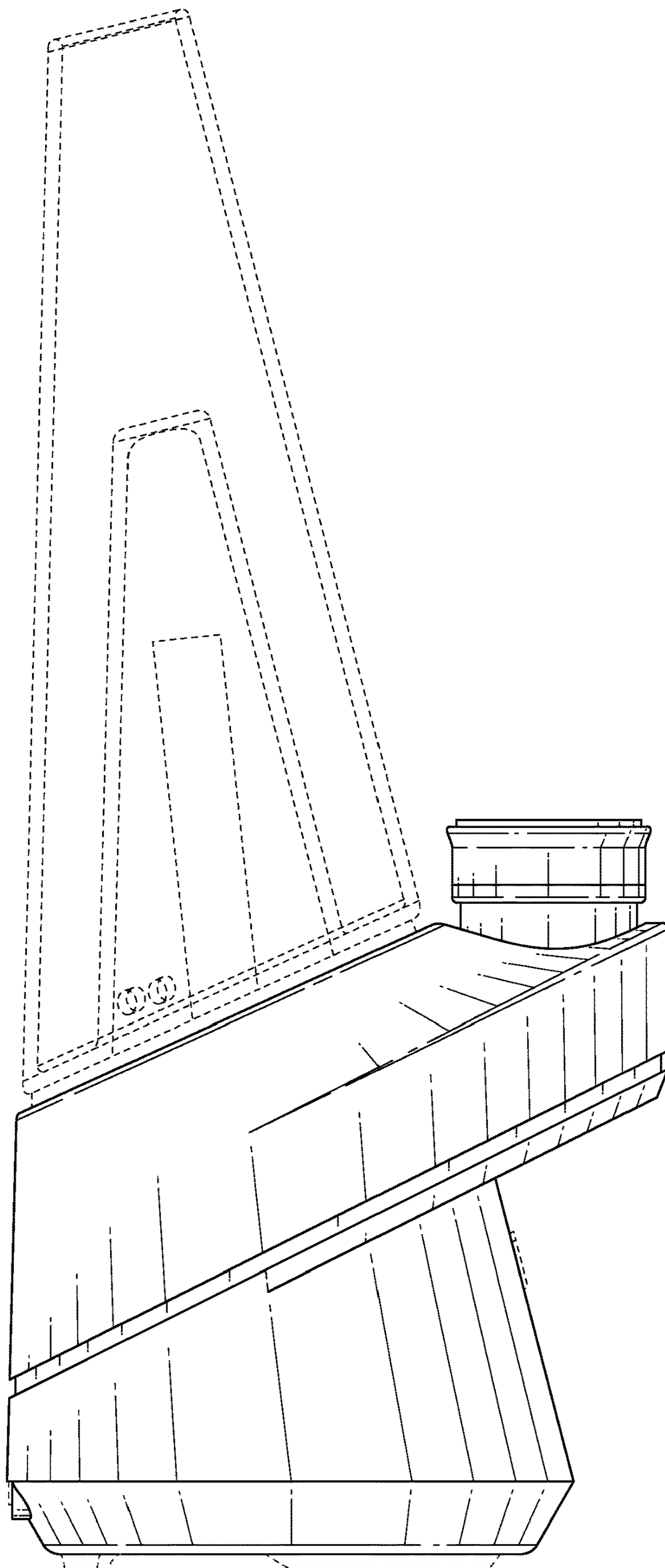


FIG. 4

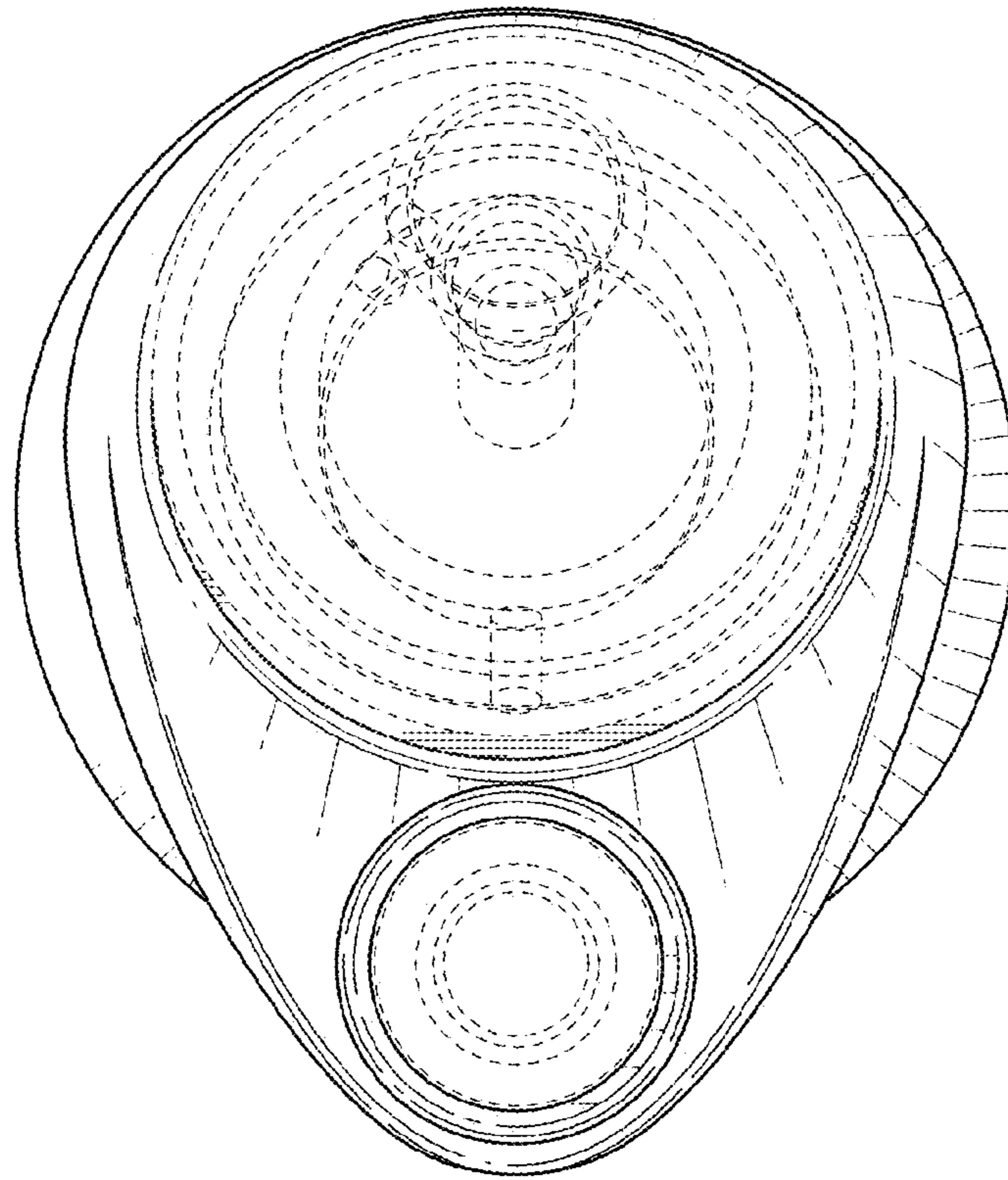


FIG. 5

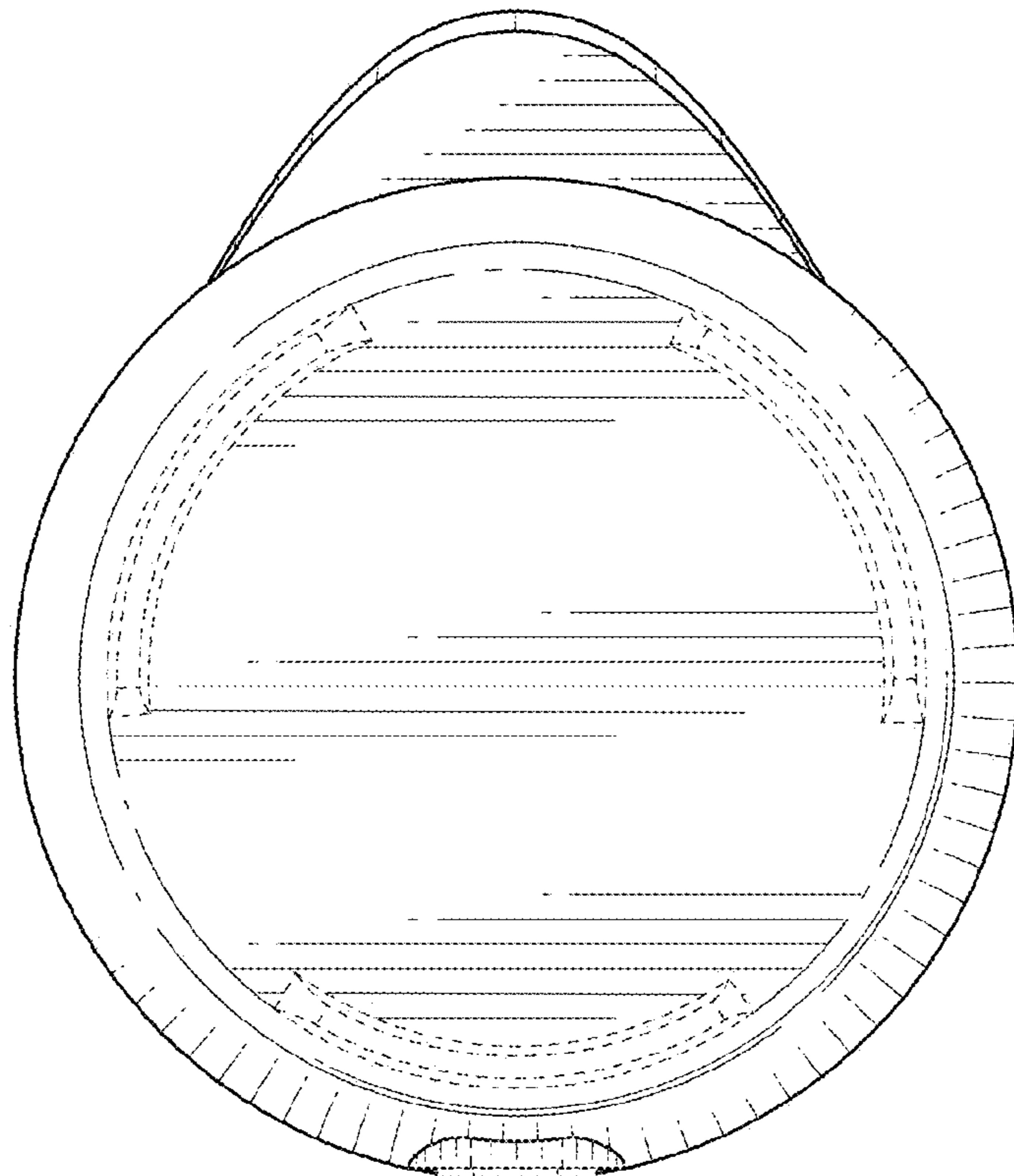


FIG. 6

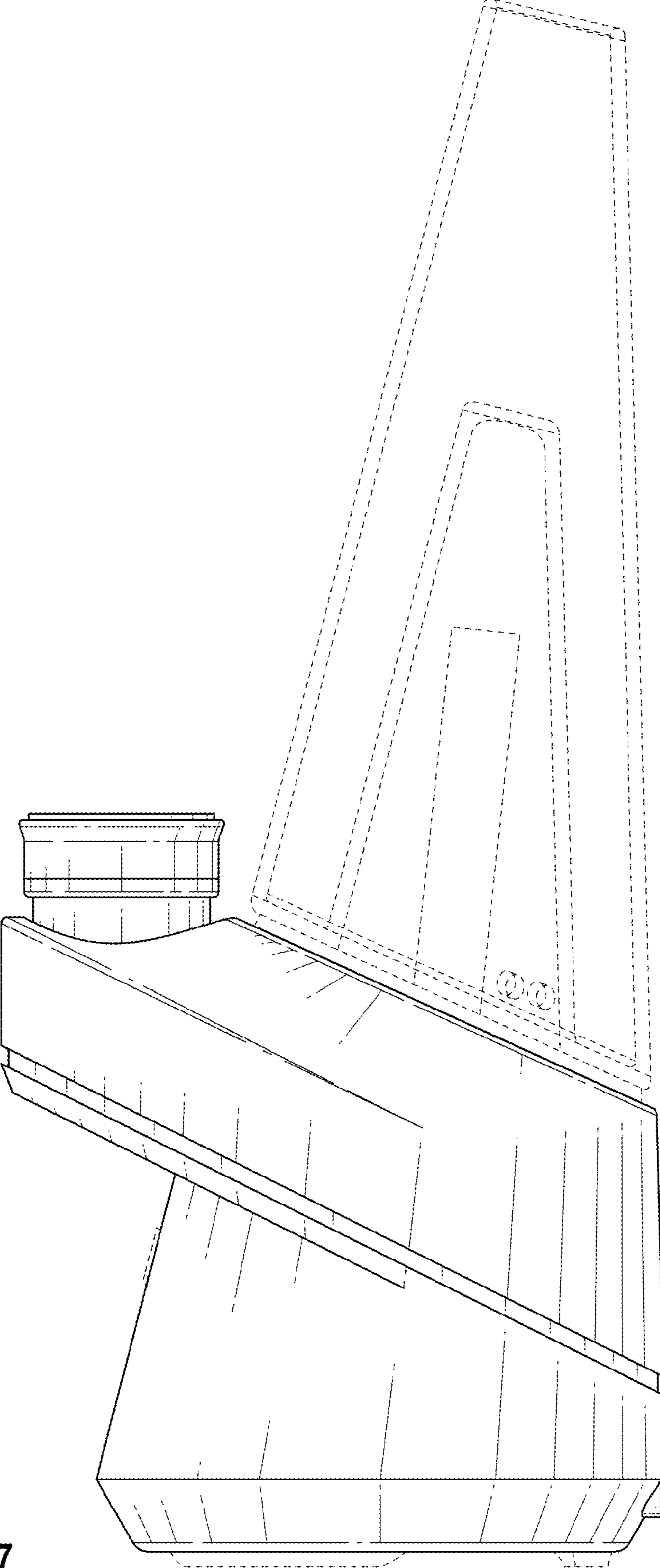


FIG. 7