

US00D909663S

(12) **United States Design Patent**
Wu

(10) **Patent No.:** **US D909,663 S**

(45) **Date of Patent:** **** Feb. 2, 2021**

- (54) **FUEL CONTAINER**
- (71) Applicant: **Pro-Iroda Industries, Inc.**, Taichung (TW)
- (72) Inventor: **Wei Cheng Wu**, Taichung (TW)
- (73) Assignee: **Pro-Iroda Industries, Inc.**, Taichung (TW)
- (**) Term: **15 Years**
- (21) Appl. No.: **29/690,731**
- (22) Filed: **May 10, 2019**
- (51) **LOC (13) Cl.** **26-04**
- (52) **U.S. Cl.**
USPC **D26/114; D26/11**
- (58) **Field of Classification Search**
USPC D9/500, 516, 519, 535, 544, 738, 741;
D24/108, 207, 210, 216, 222, 224, 229,
D24/231, 232; D26/9, 11, 93, 104, 105,
D26/110, 113, 114, 117; D15/150
CPC F23Q 2/164; F23Q 2/167; F23Q 2/287;
F23Q 2/42
See application file for complete search history.

- D563,221 S * 3/2008 Ashiwa D24/115
- D646,001 S * 9/2011 Blackman D26/23
- D646,168 S * 10/2011 Jansen D9/500
- D698,244 S * 1/2014 Lin D9/500
- D742,563 S * 11/2015 Kasha A47G 7/06
D26/22
- 9,726,368 B2 * 8/2017 Chen F23C 7/002
- D804,950 S * 12/2017 Spurrier D9/500
- D825,791 S * 8/2018 Patti D26/9
- 10,571,118 B2 * 2/2020 Chen F23C 7/004

* cited by examiner

Primary Examiner — Michael C Stout

Assistant Examiner — Fritzgerald L Butac

(74) *Attorney, Agent, or Firm* — Alan D. Kamrath; Karin L. Williams; Mayer & Williams PC

(57) **CLAIM**

The ornamental design for a fuel container, as shown and described.

DESCRIPTION

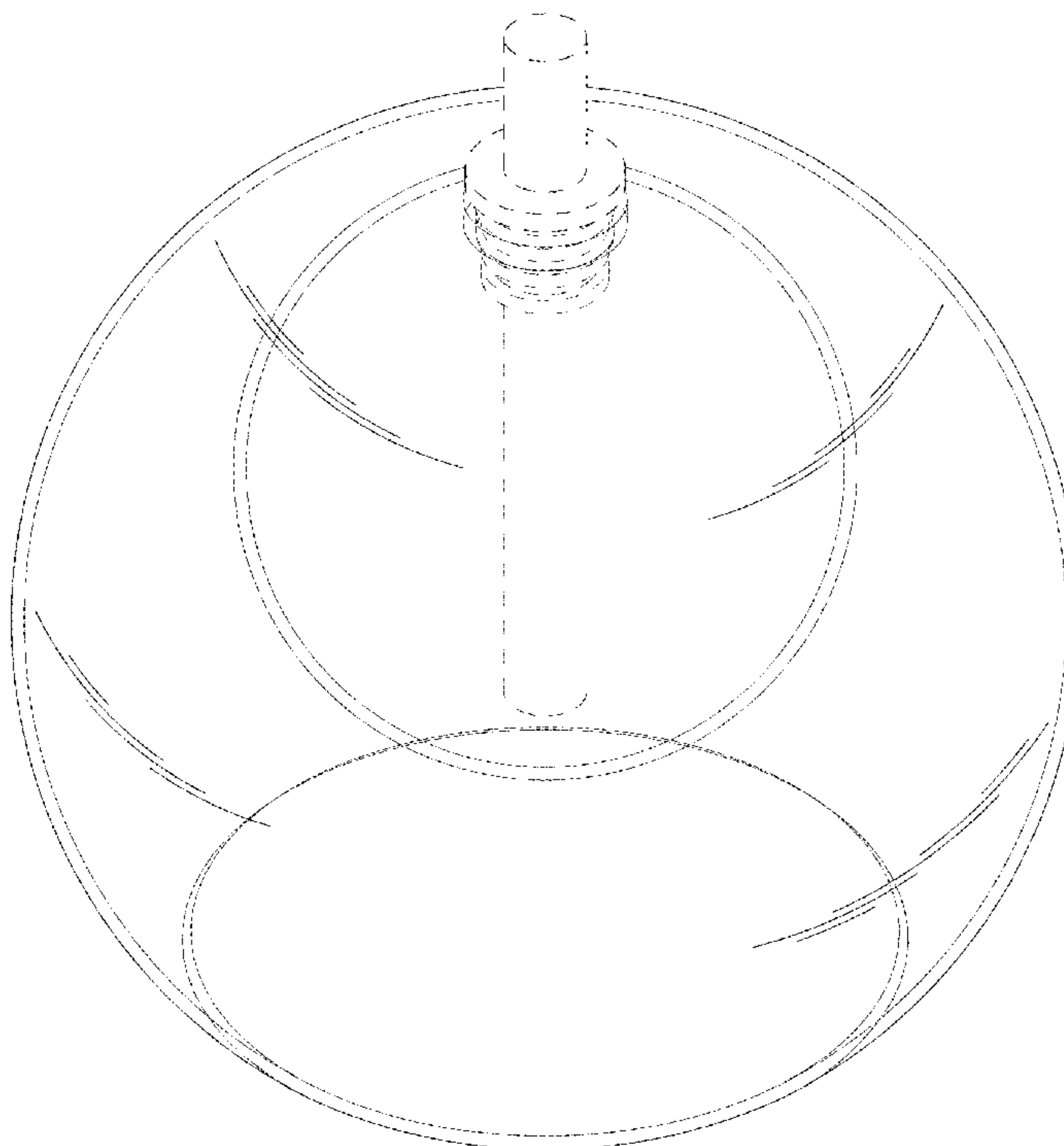
FIG. 1 is a perspective view of a fuel container showing my new design;
 FIG. 2 is a front view thereof;
 FIG. 3 is a rear view thereof;
 FIG. 4 is a left view thereof;
 FIG. 5 is a right view thereof;
 FIG. 6 is a top view thereof;
 FIG. 7 is a bottom view; and,
 FIG. 8 is another perspective view showing a fuel container in an environment of use.
 The broken lines are for the purpose of showing environmental structure and form no part of the claimed design.

1 Claim, 8 Drawing Sheets

(56) **References Cited**

U.S. PATENT DOCUMENTS

- D58,281 S * 6/1921 Whitaker D23/211
- D256,776 S * 9/1980 Monnet D9/500
- D266,486 S * 10/1982 Lutz D23/202
- D317,059 S * 5/1991 Menter D26/117
- D437,655 S * 2/2001 Galtt D26/11
- D437,967 S * 2/2001 Galtt D26/11



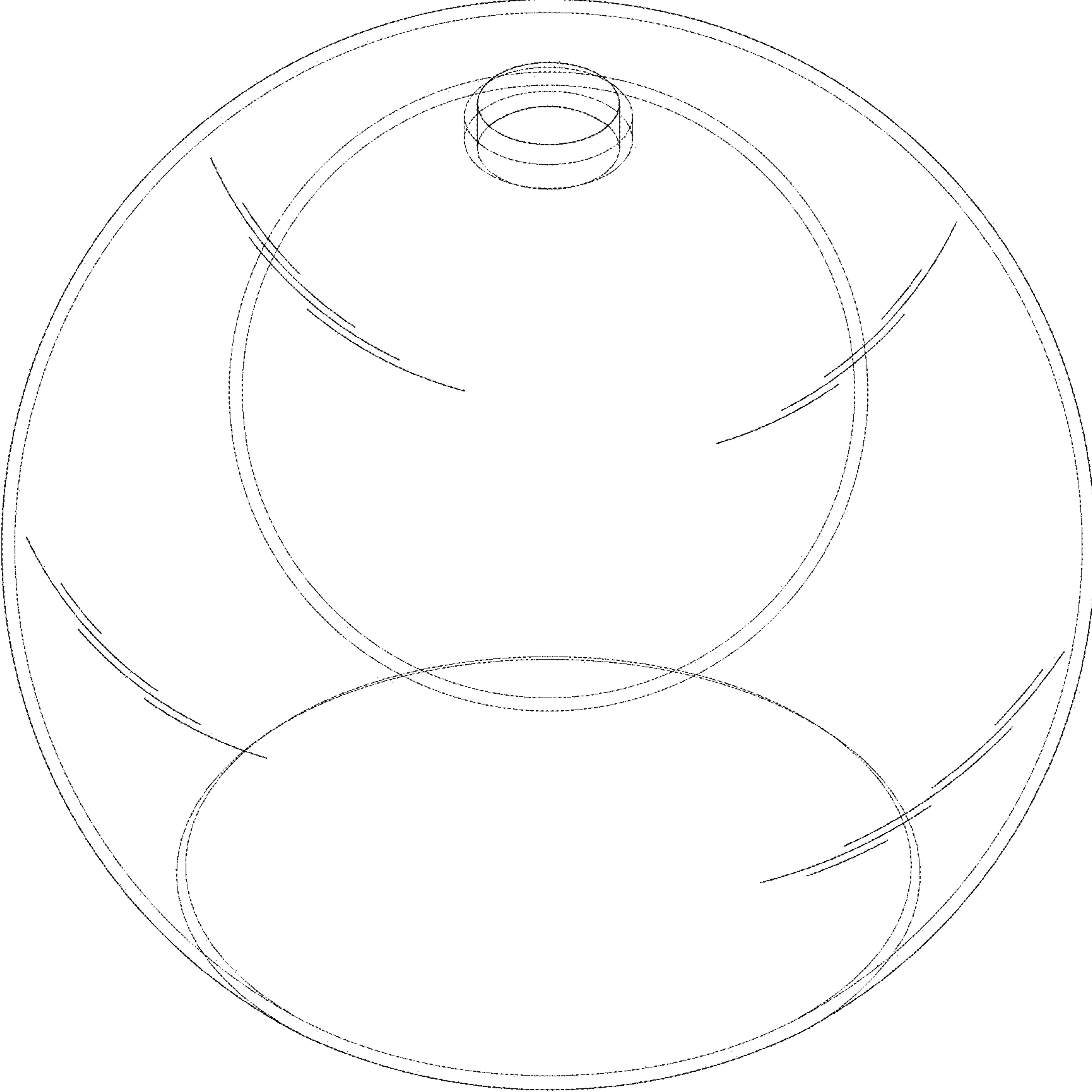


FIG. 1

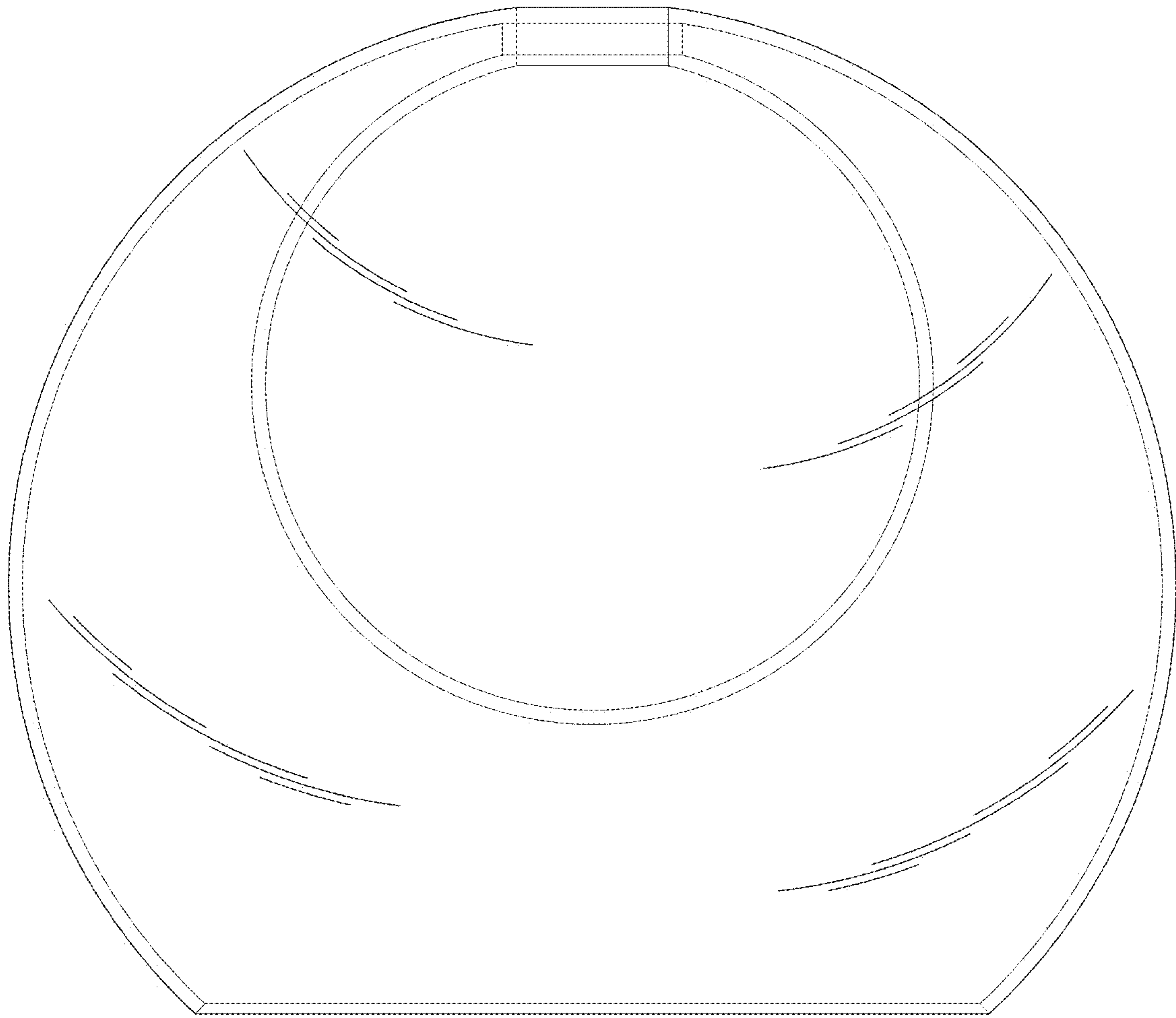


FIG. 2

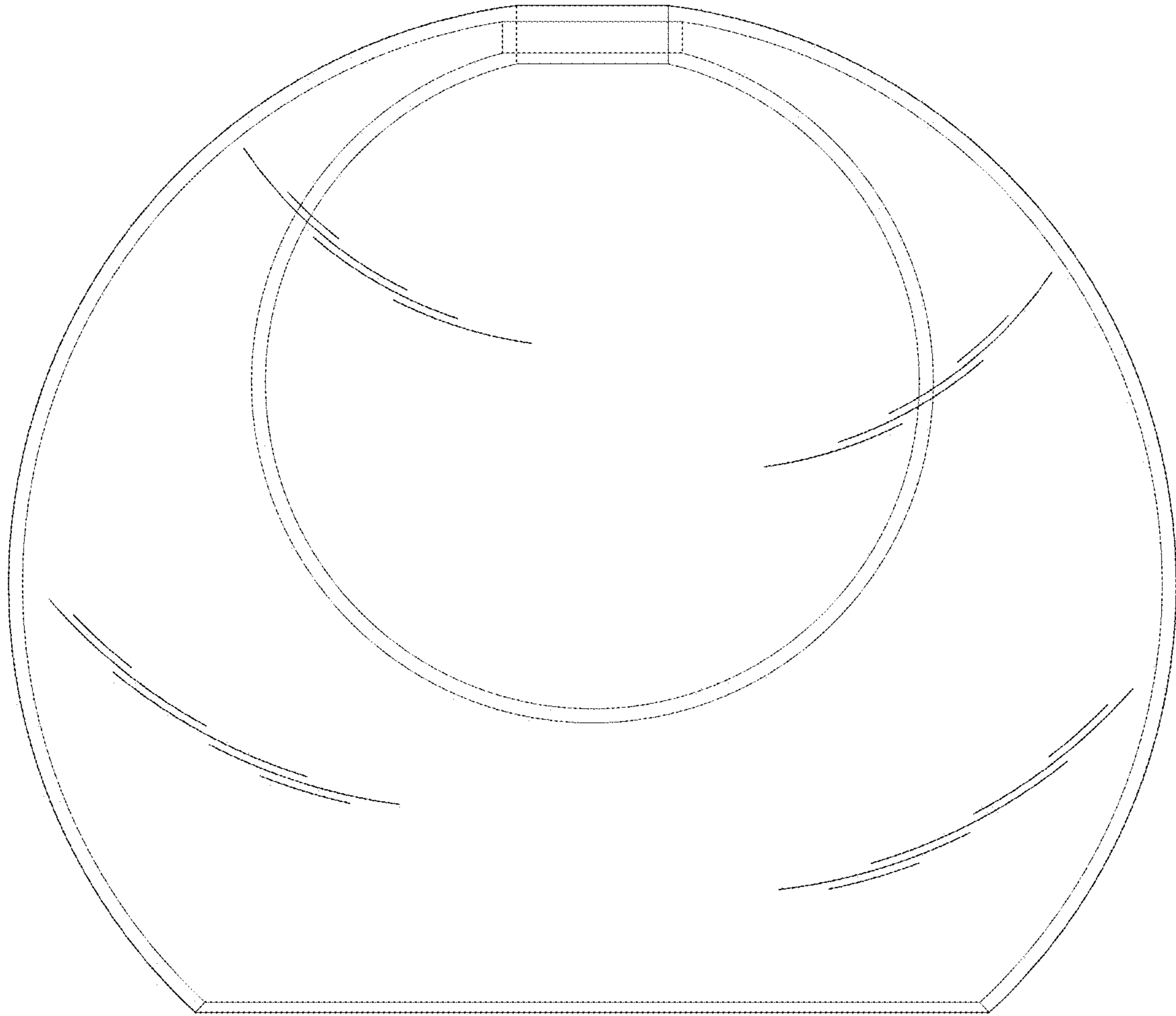


FIG. 3

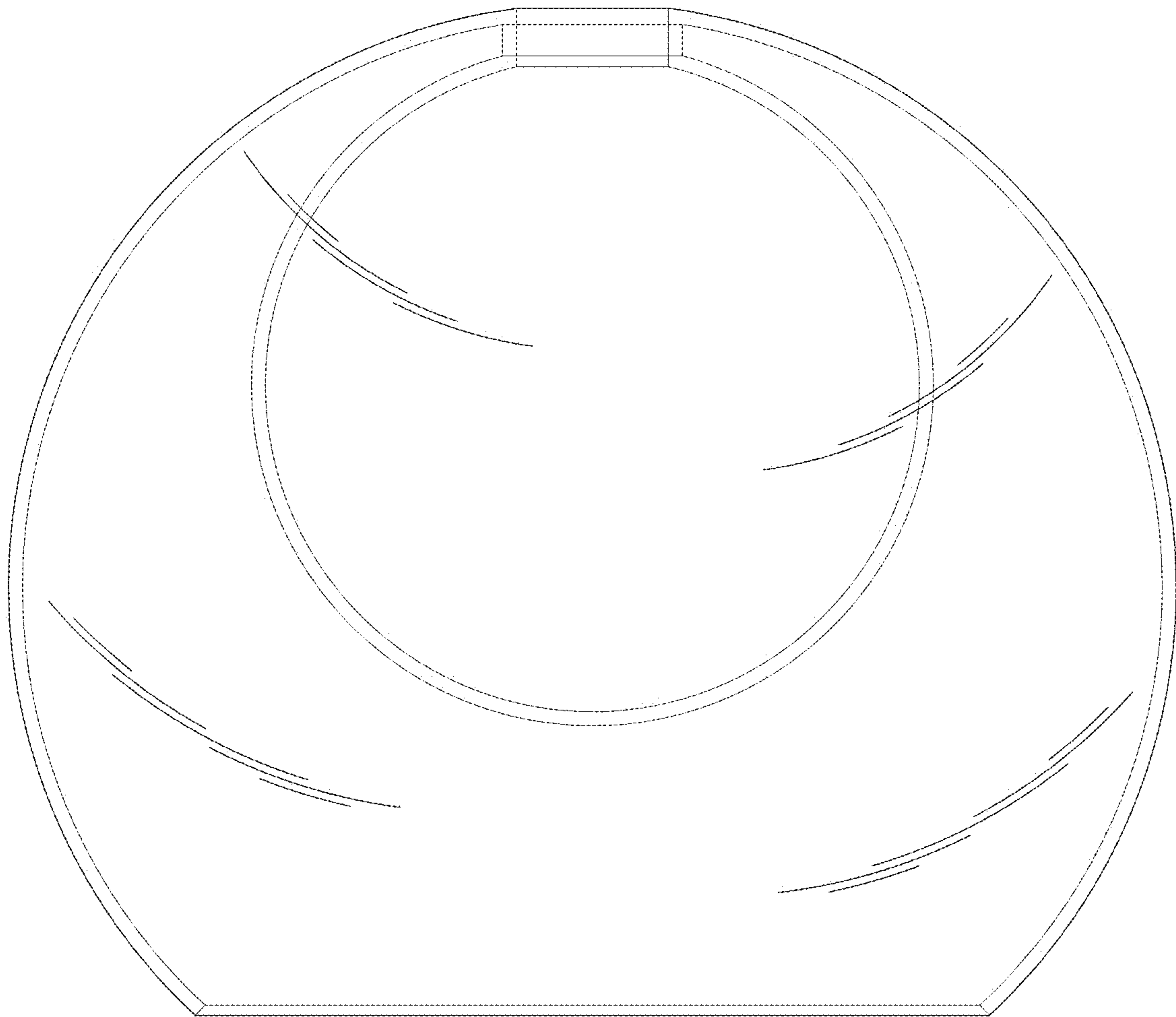


FIG. 4

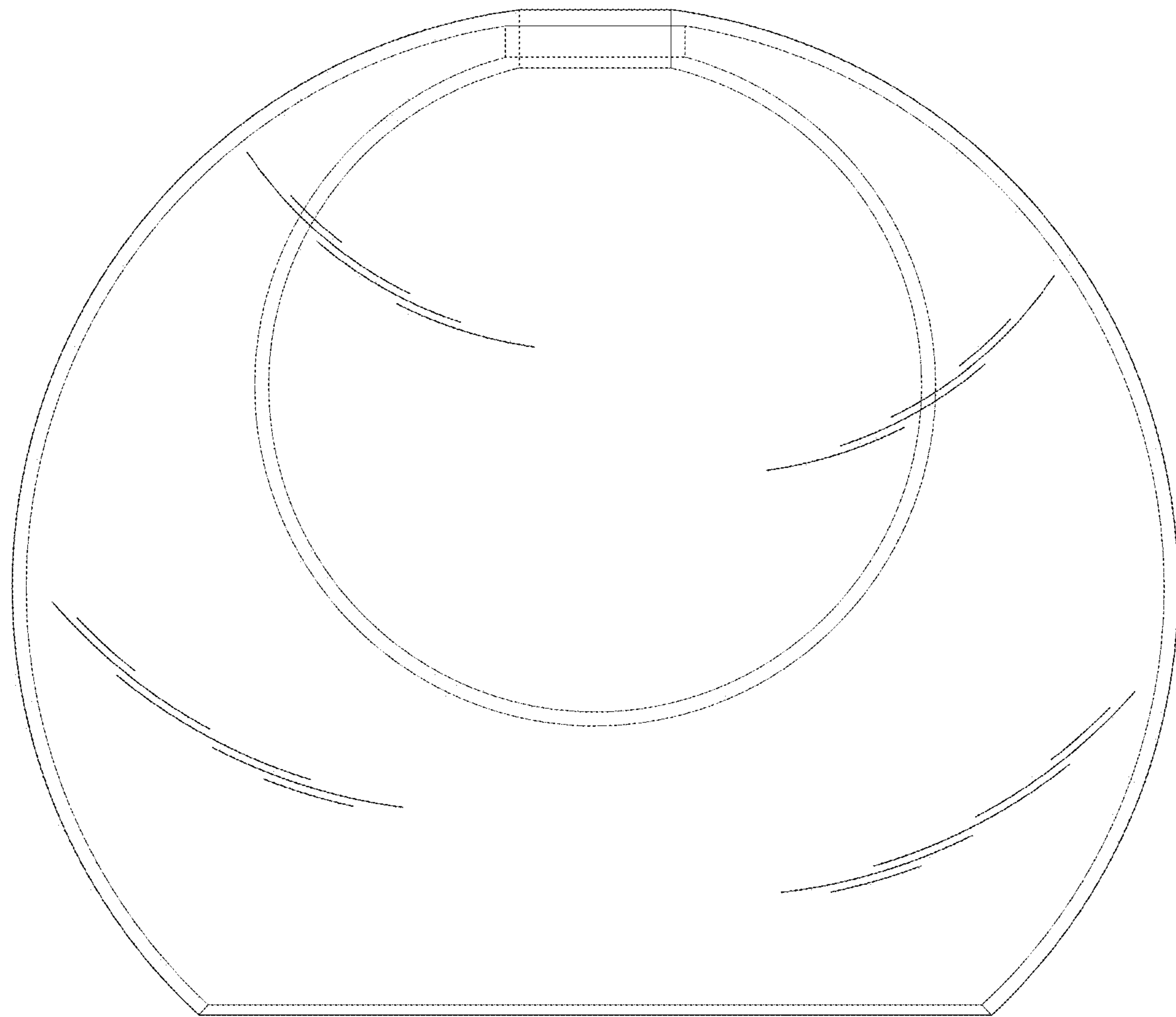


FIG. 5

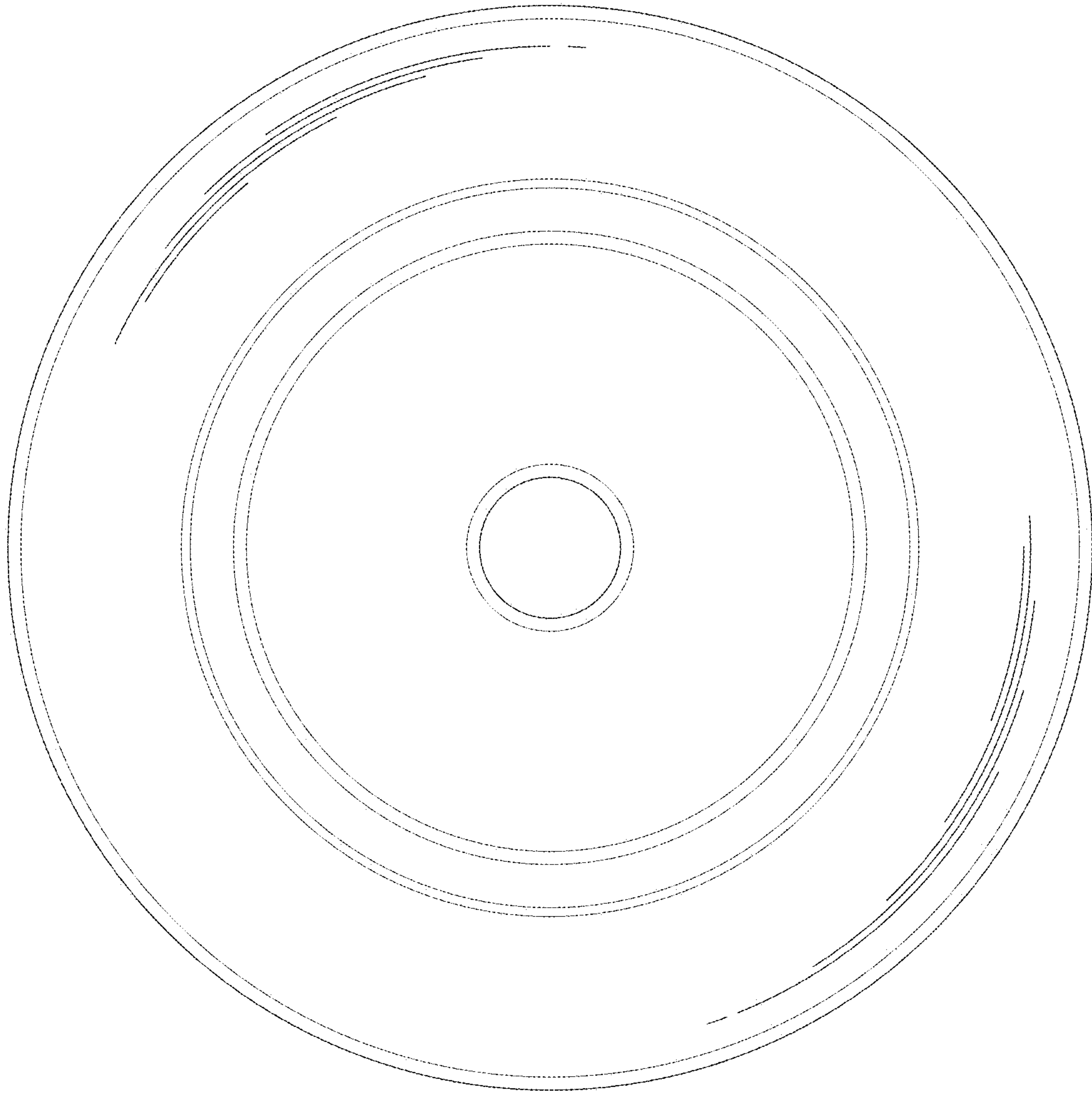


FIG. 6

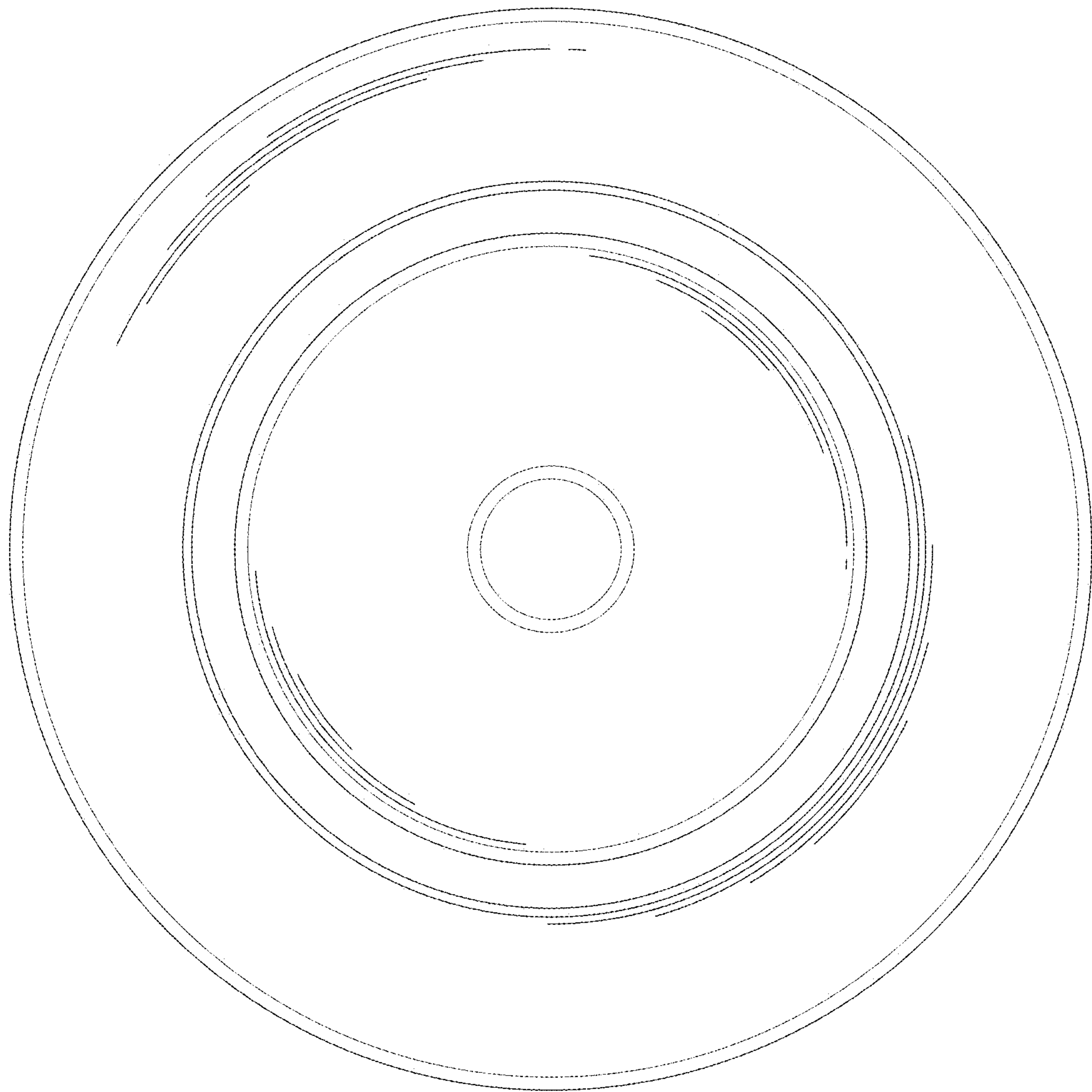


FIG. 7

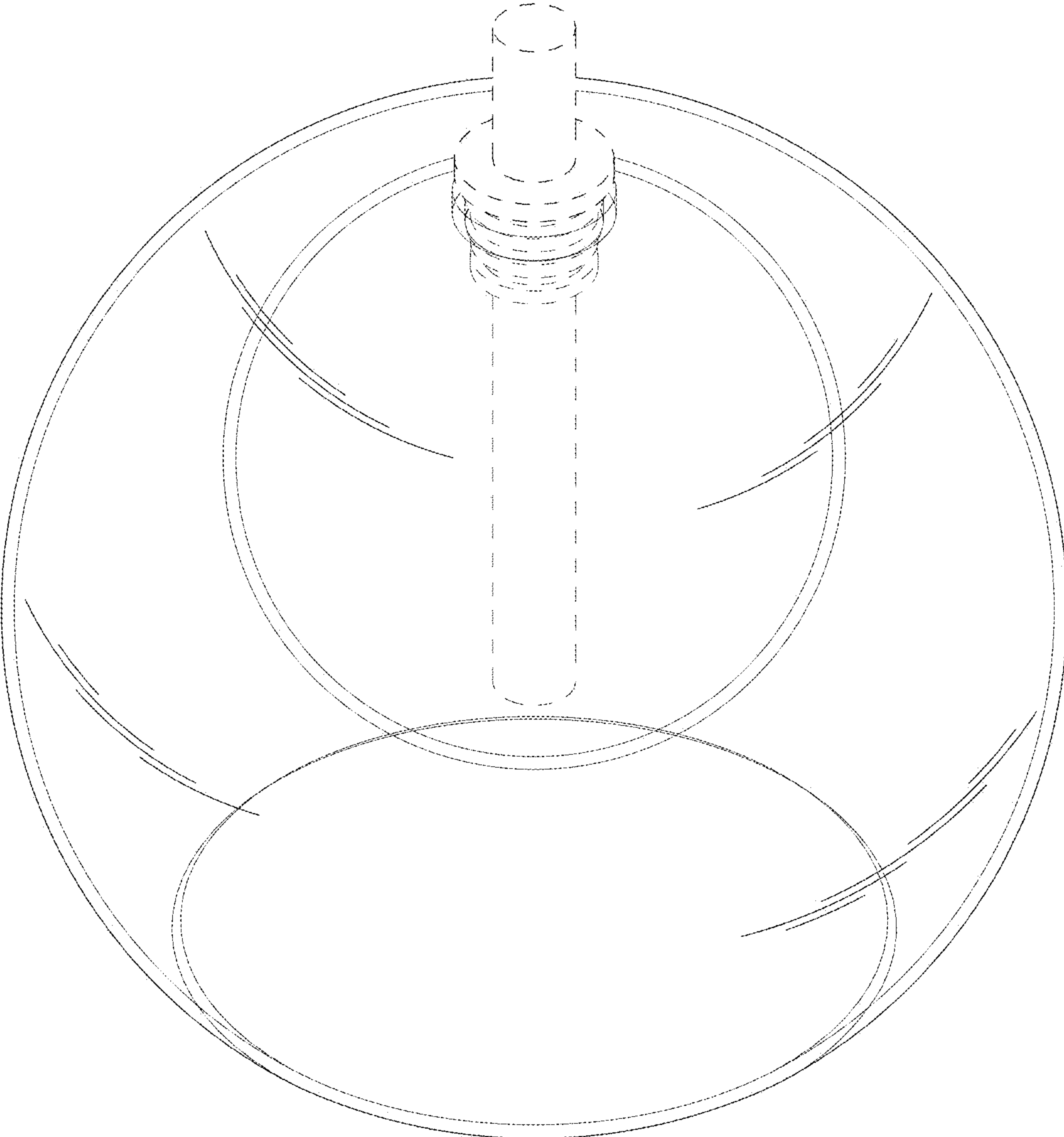


FIG. 8