



US00D909660S

(12) **United States Design Patent**
Ji

(10) **Patent No.:** **US D909,660 S**

(45) **Date of Patent:** **** Feb. 2, 2021**

(54) **LIGHT**

(71) Applicant: **SHENZHEN SUNRISE TECHNOLOGY CO., LTD**, Shenzhen (CN)

(72) Inventor: **Min Ji**, Shenzhen (CN)

(73) Assignee: **SHENZHEN SUNRISE TECHNOLOGY CO., LTD**, Shenzhen (CN)

(**) Term: **15 Years**

(21) Appl. No.: **29/738,513**

(22) Filed: **Jun. 18, 2020**

(51) **LOC (13) Cl.** **26-05**

(52) **U.S. Cl.**
USPC **D26/94**

(58) **Field of Classification Search**
USPC D26/4, 7, 57, 60, 73, 93, 94, 106;
D11/108, 121, 124, 125, 131, 157;
D20/10, 21, 36
CPC .. F21S 8/043; F21S 8/036; F21S 8/063; F21S 10/06; F21S 6/00; F21S 6/003; F21S 6/004; F21V 3/00; F21V 3/02; F21V 3/049; F21Y 2105/10; F21Y 2105/12; F21Y 2105/18; F21W 2121/00; F21W 2131/30

See application file for complete search history.

(56) **References Cited**

U.S. PATENT DOCUMENTS

D105,064 S * 6/1937 Pfau D11/125
D212,805 S * 11/1968 Moranduzzo D11/125

D247,163 S * 2/1978 White D10/106.4
D329,826 S * 9/1992 Taylor D11/124
D330,172 S * 10/1992 Rihm D10/106.4
D425,233 S * 5/2000 Liu D26/73
D465,594 S * 11/2002 Chen D26/73
D546,982 S * 7/2007 Van Dyn Hoven D26/4
D557,456 S * 12/2007 Kilian D26/94
D565,209 S * 3/2008 Hoven et al.
D580,563 S * 11/2008 Van Dyn Hoven D26/4
D581,066 S * 11/2008 Van Dyn Hoven D26/4
D784,185 S * 4/2017 York et al.
D873,460 S * 1/2020 Chen D26/60
D873,461 S * 1/2020 Chen D26/60

* cited by examiner

Primary Examiner — Wan Laymon
Assistant Examiner — Clint A Samuel

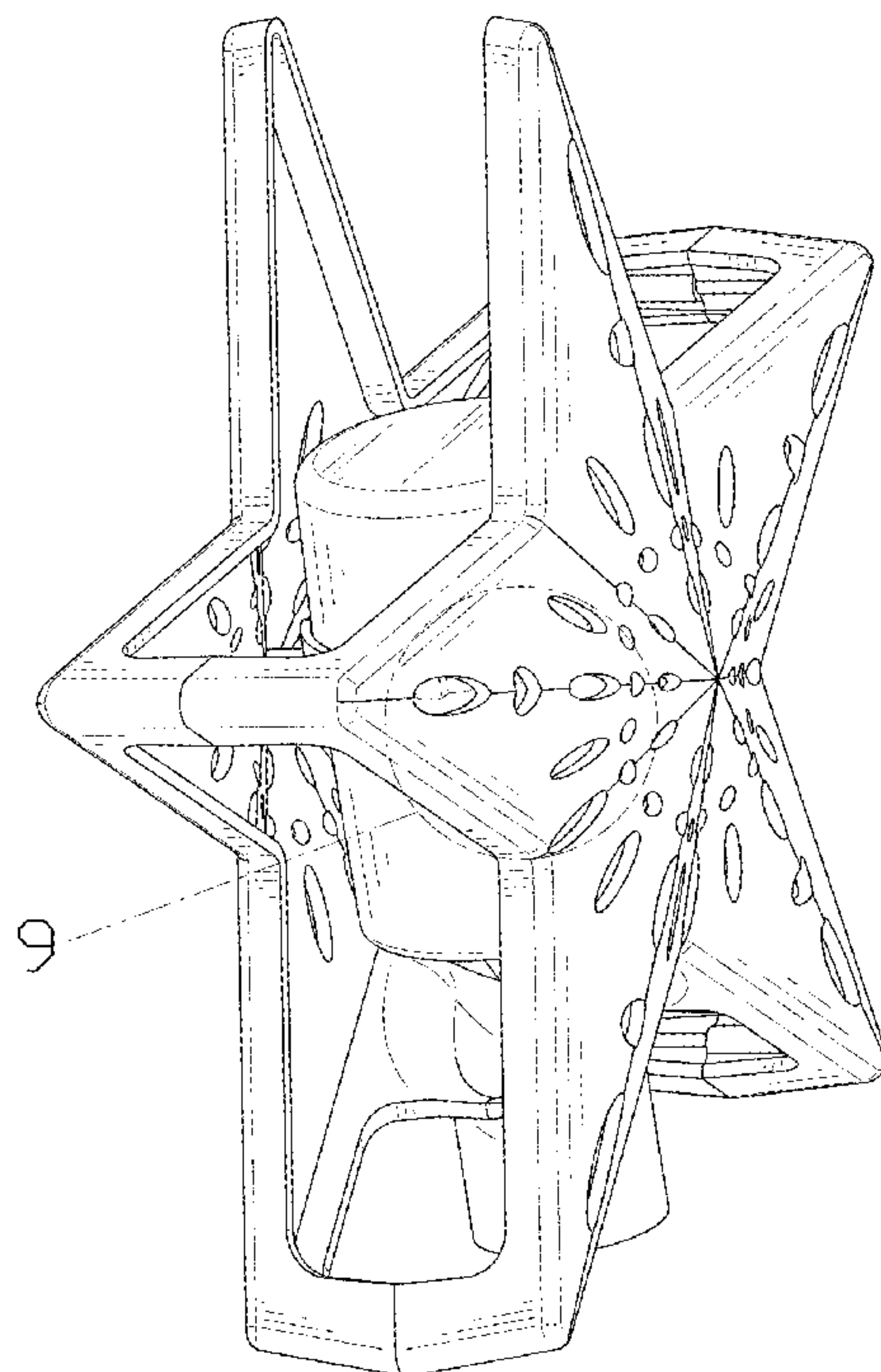
(57) **CLAIM**

The ornamental design for a light, as shown and described.

DESCRIPTION

FIG. 1 is a perspective view of a light showing my new design;
FIG. 2 is another perspective view thereof;
FIG. 3 is a front elevational view thereof;
FIG. 4 is a rear elevational view thereof;
FIG. 5 is a left side elevational view thereof;
FIG. 6 is a right side elevational view thereof;
FIG. 7 is a top plan view thereof;
FIG. 8 is a bottom plan view thereof; and,
FIG. 9 is an enlarged view of portion 9 shown in FIG. 1.
The broken lines in the drawings depict portions of the light that form no part of the claimed design.

1 Claim, 9 Drawing Sheets



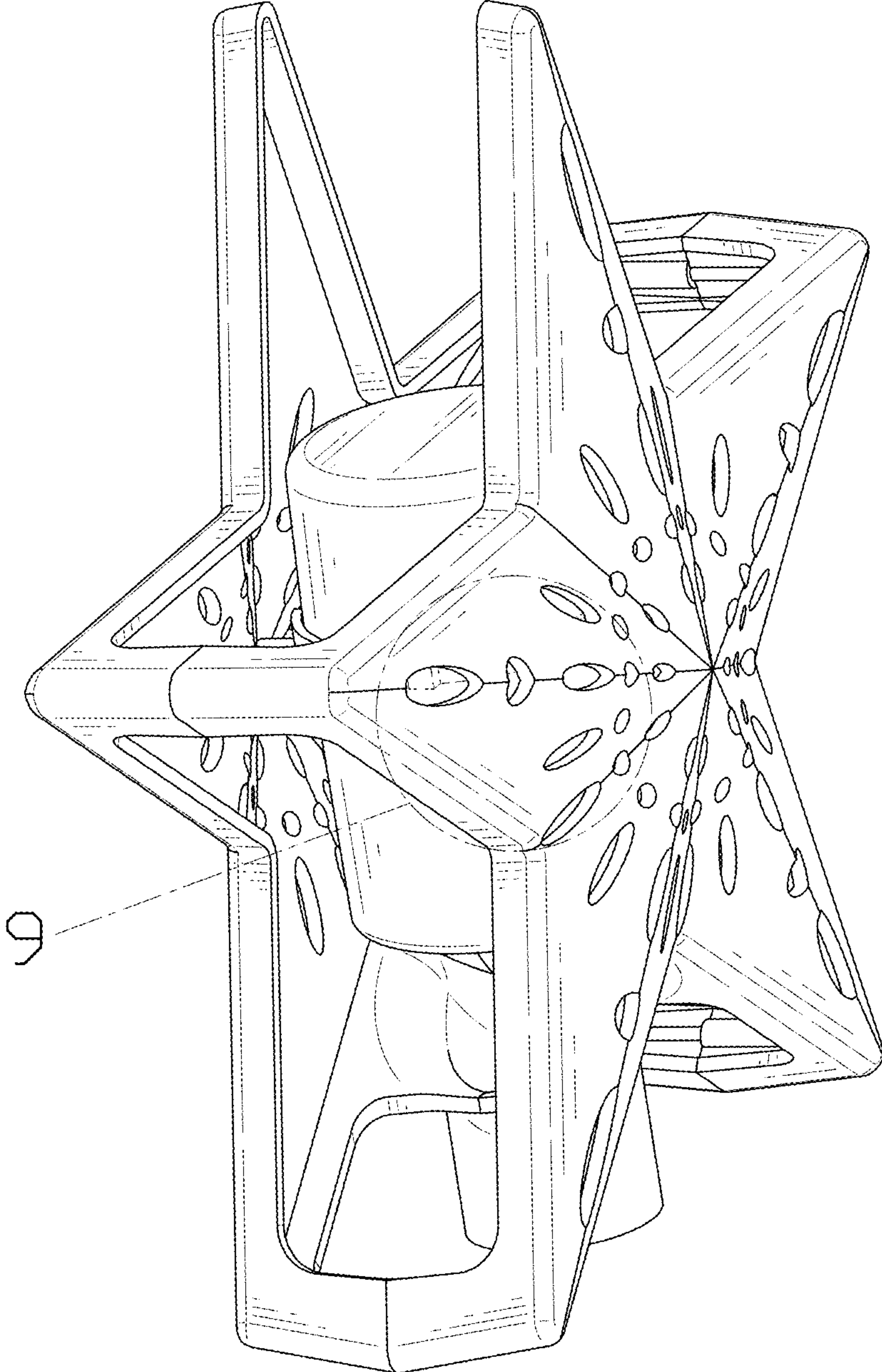


FIG. 1

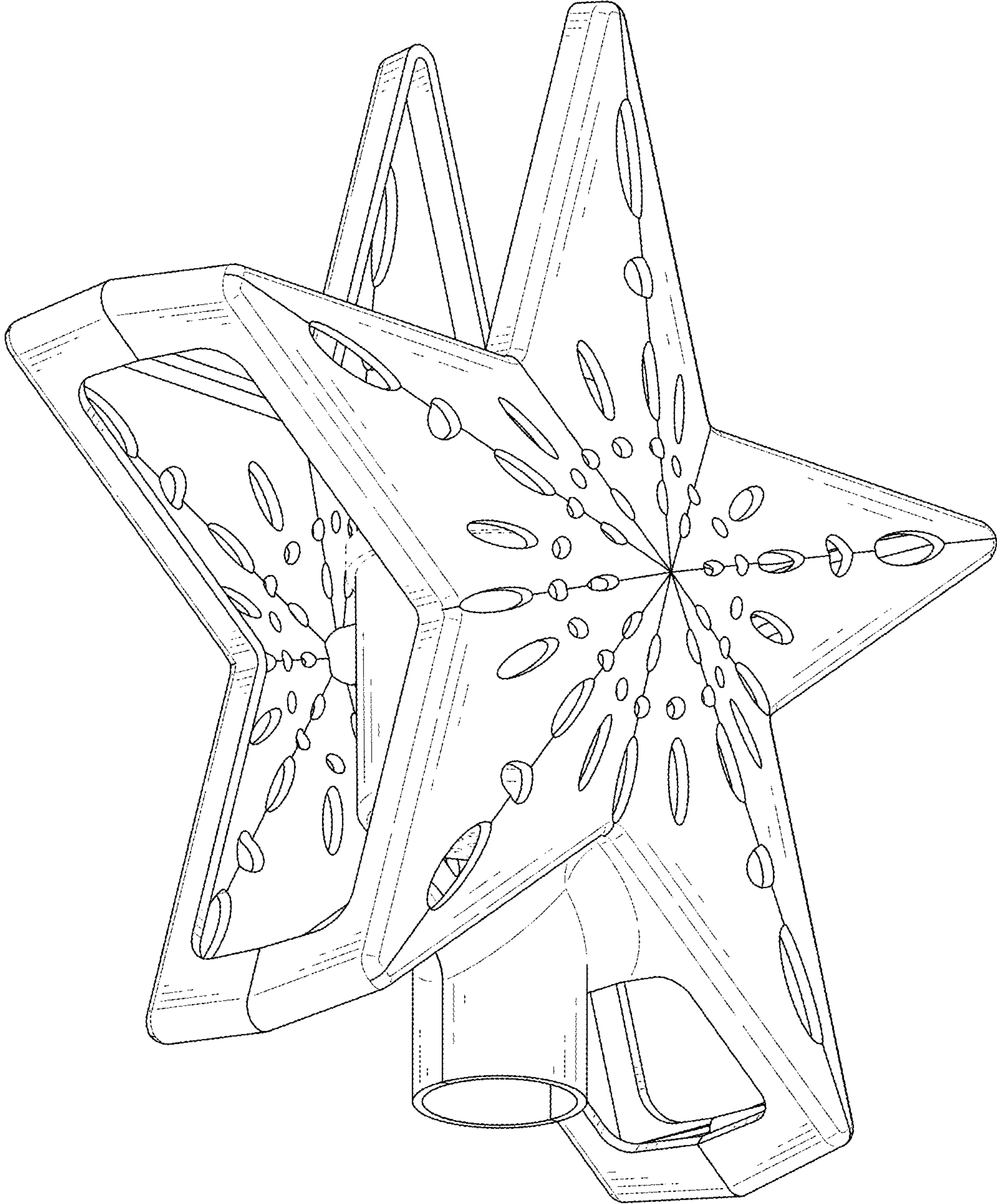


FIG. 2

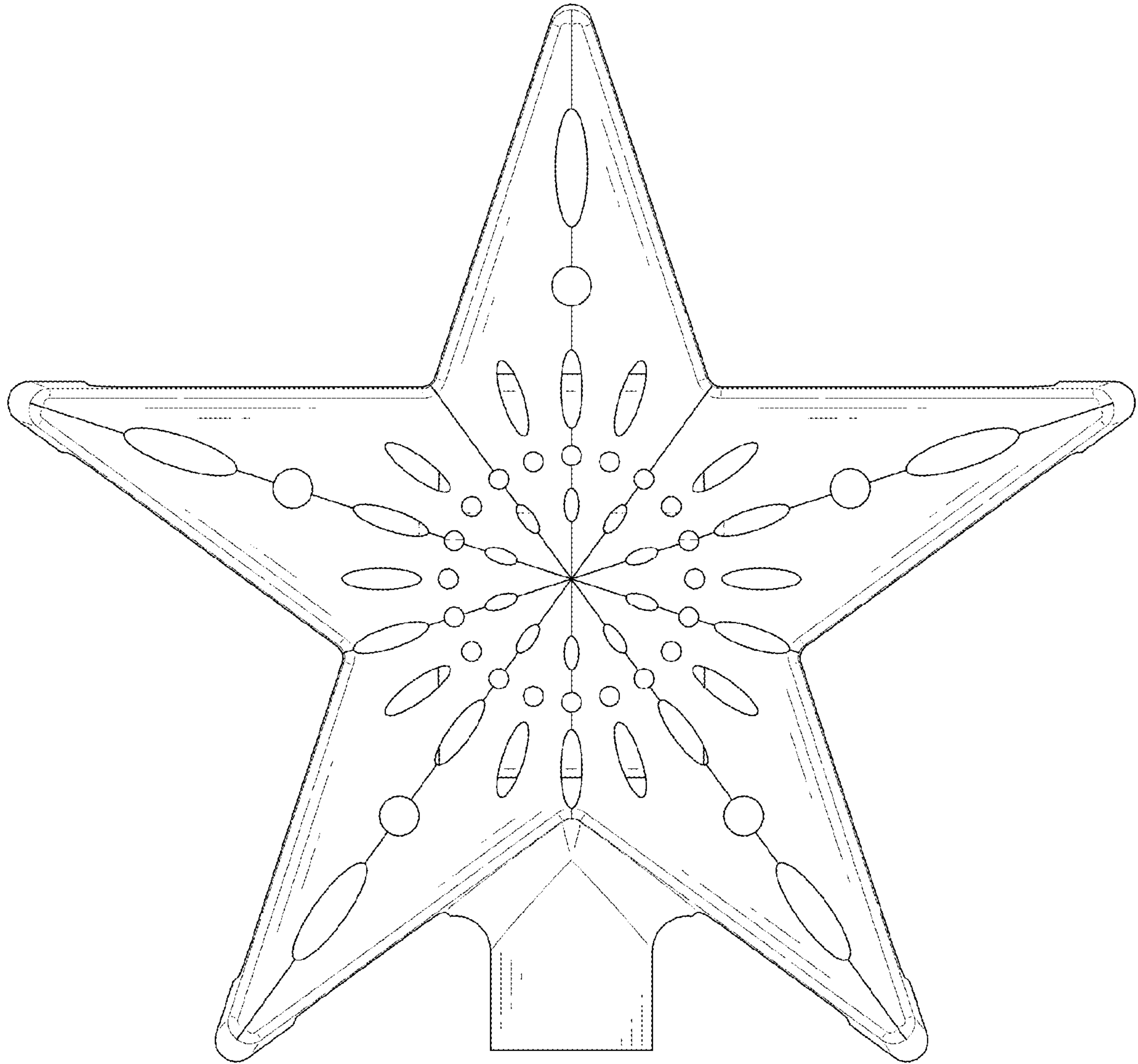


FIG. 3

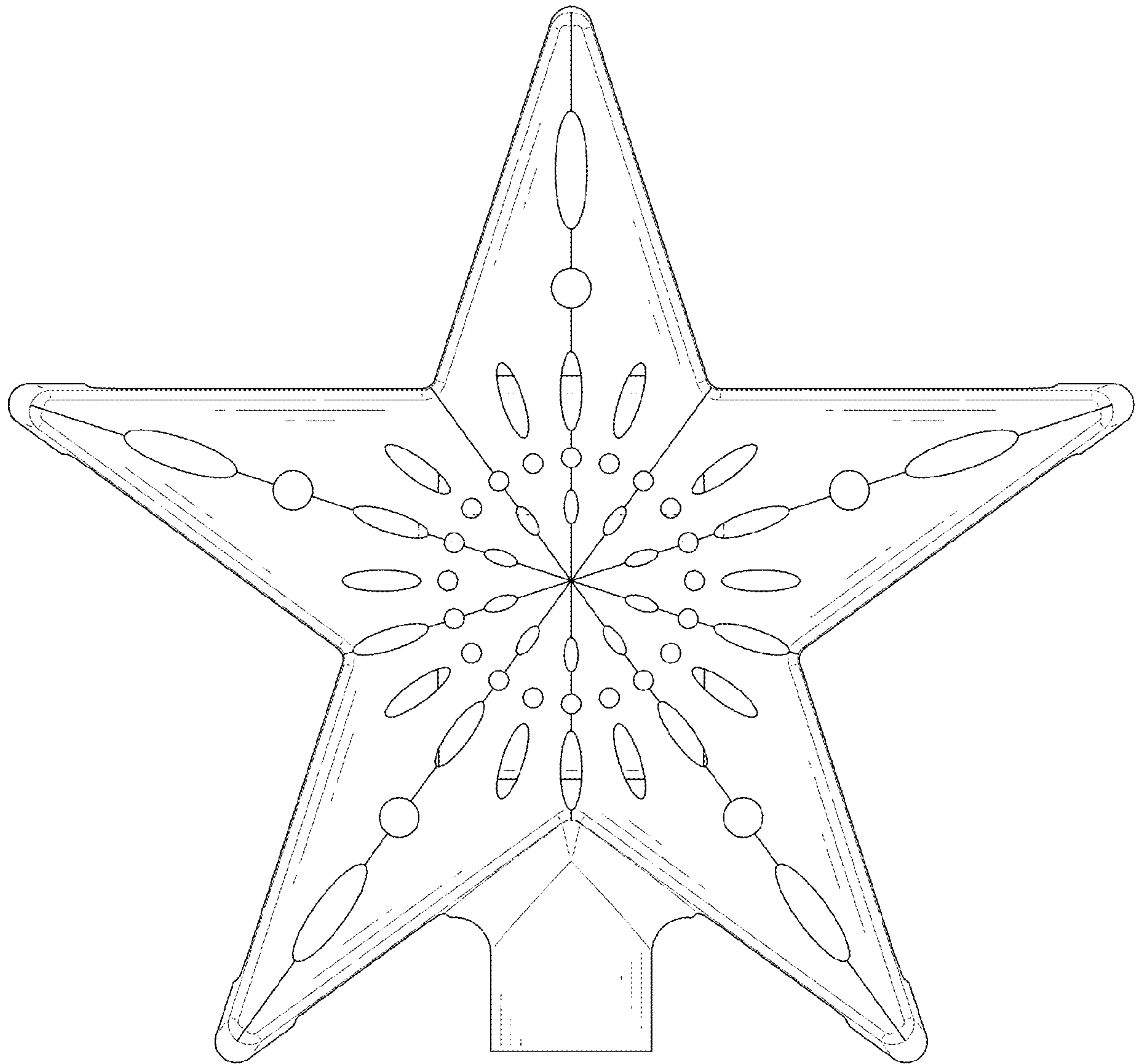


FIG. 4

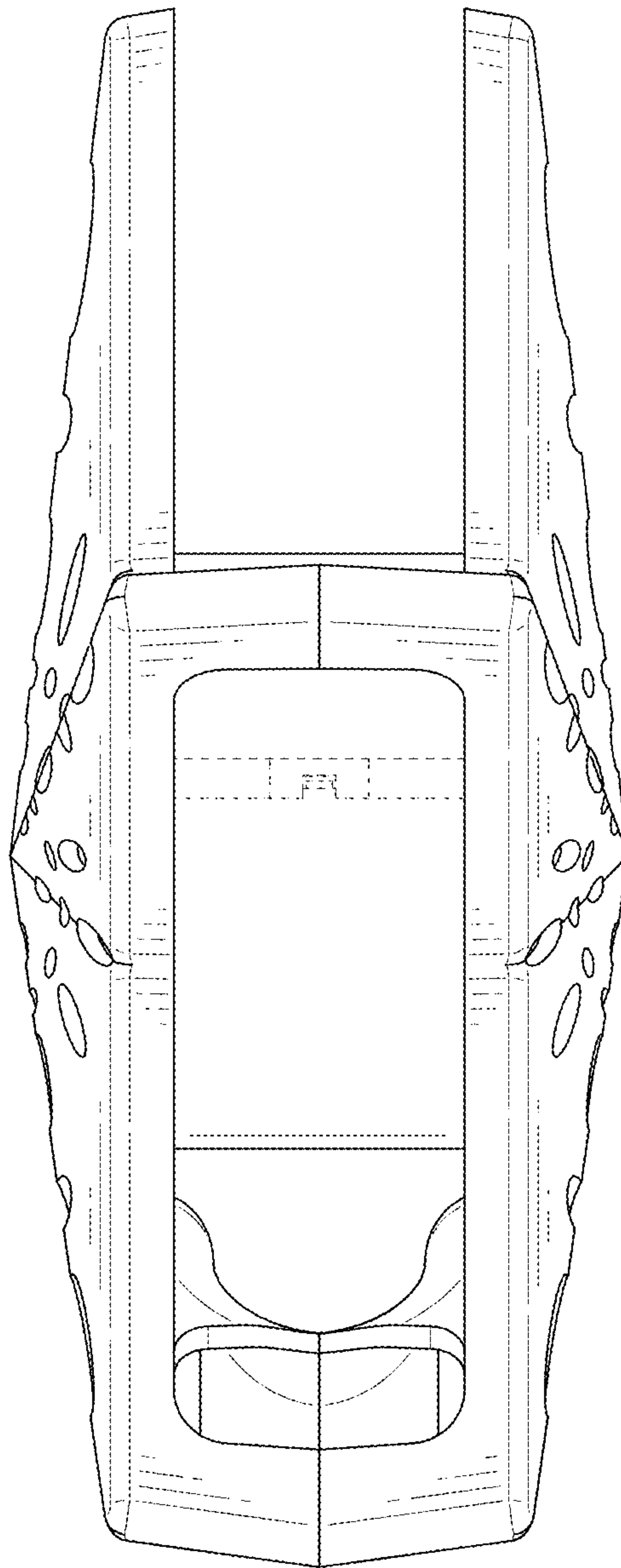


FIG. 5

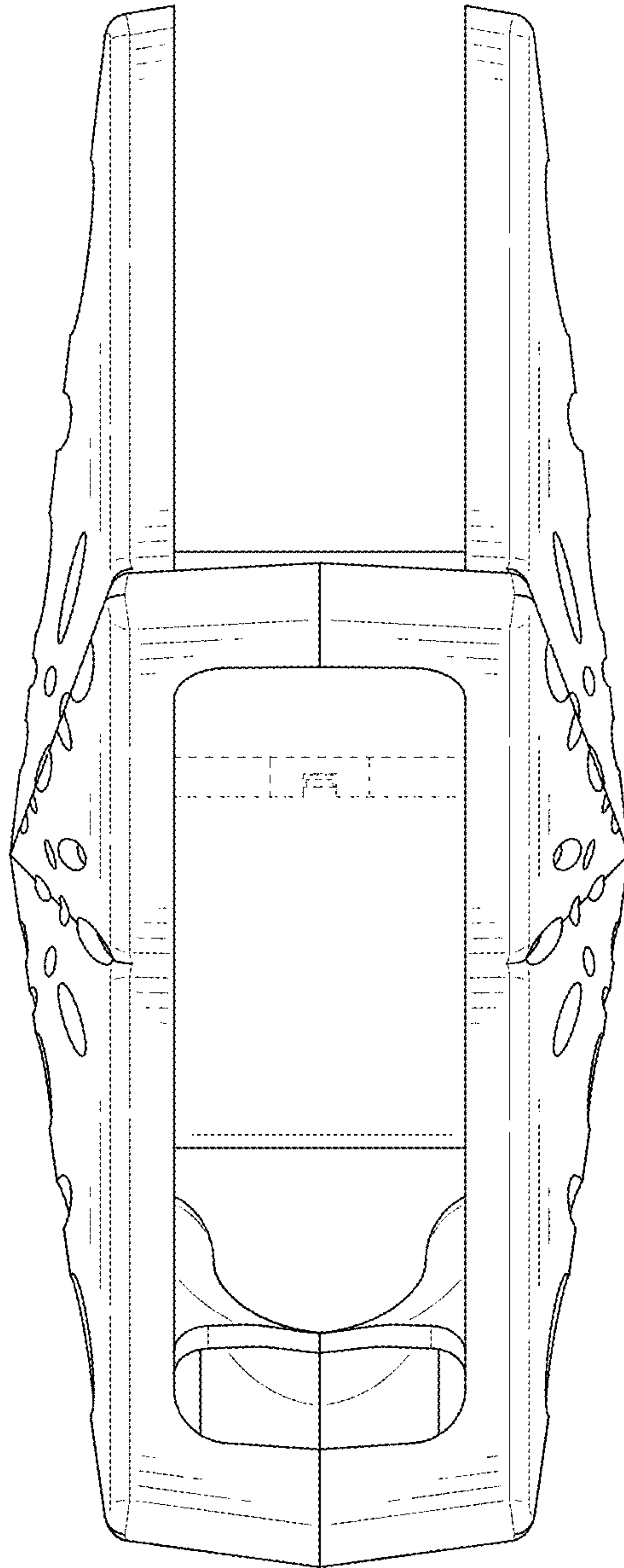


FIG. 6

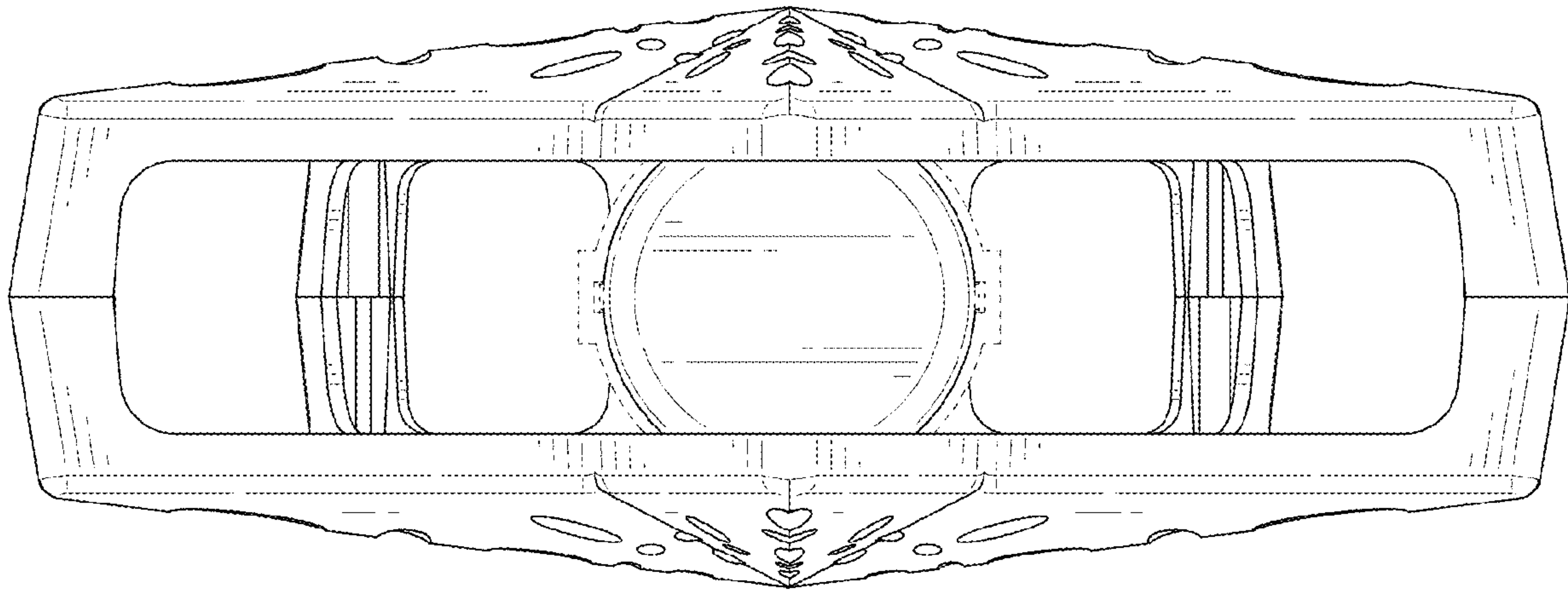


FIG. 7

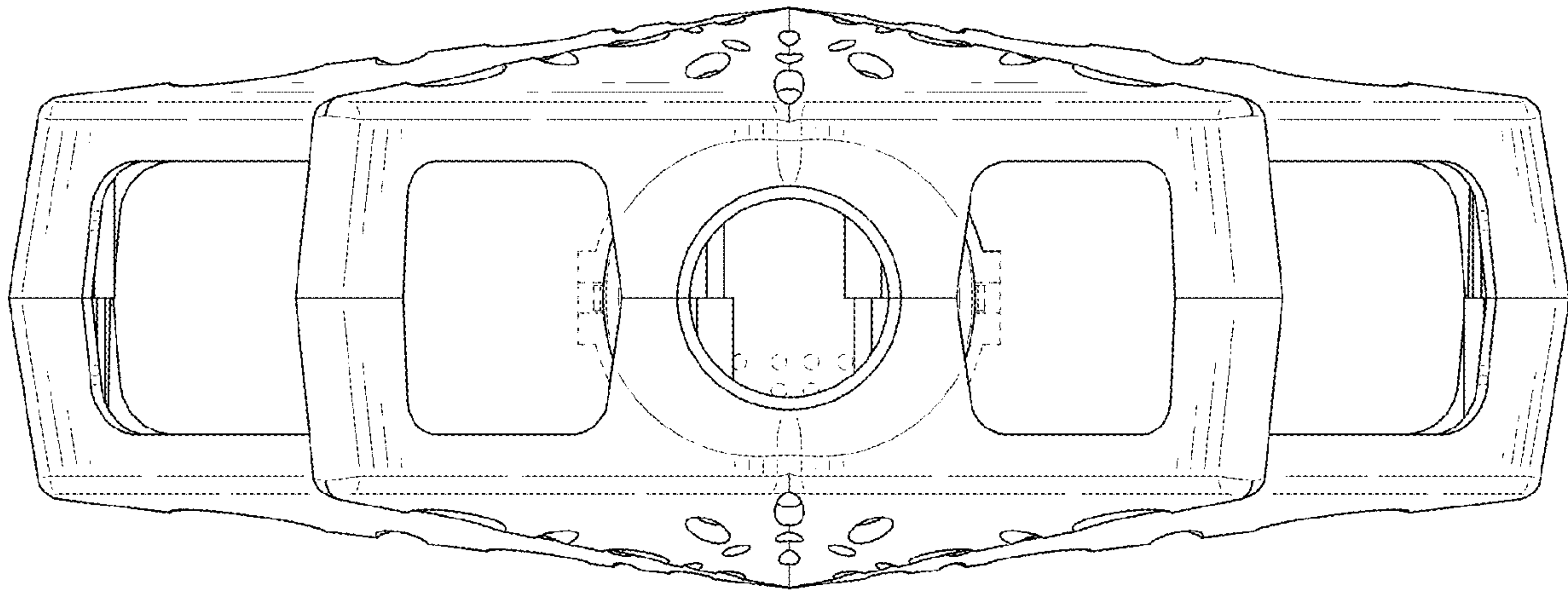


FIG. 8

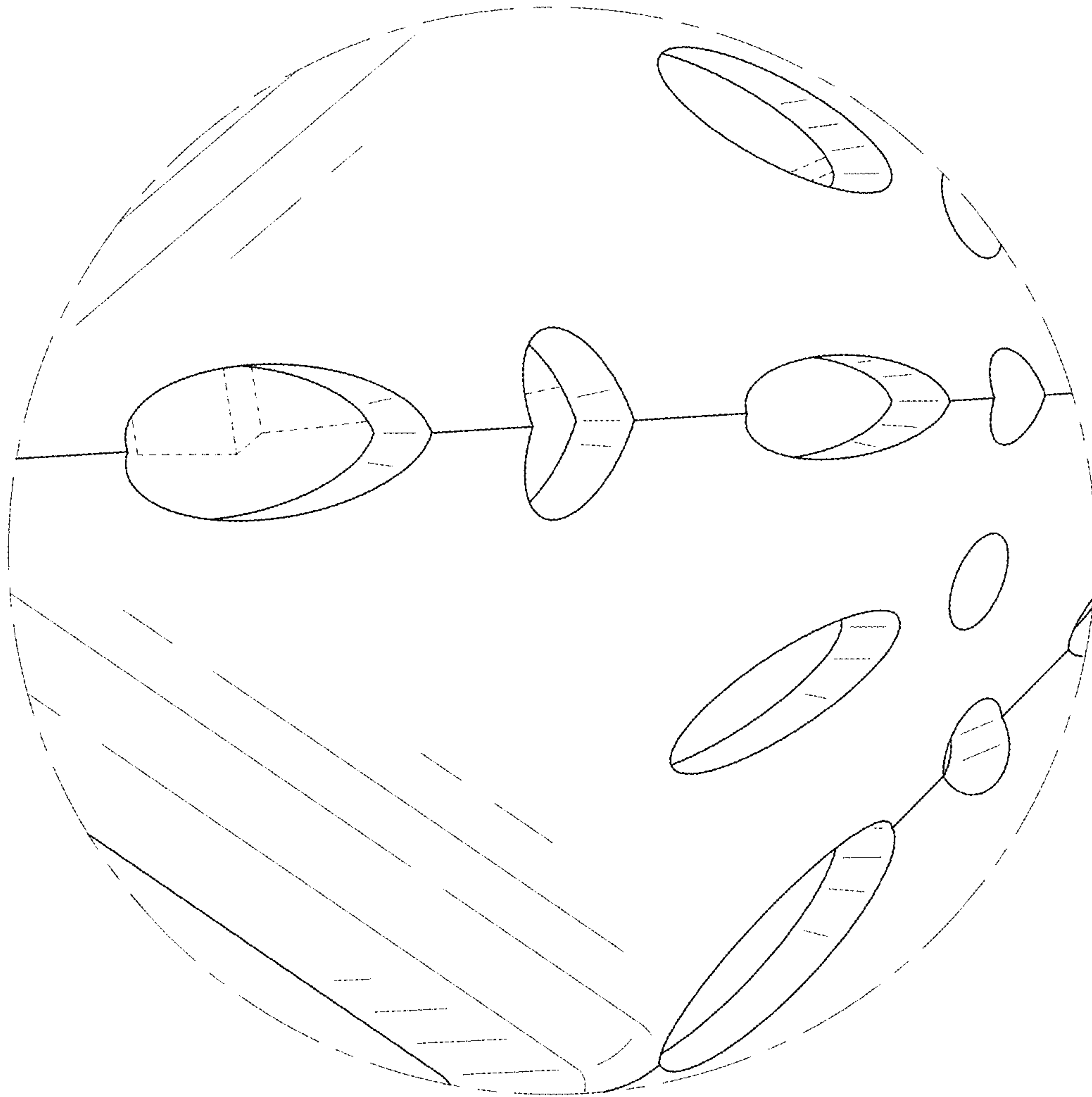


FIG. 9