



US00D909659S

(12) **United States Design Patent** (10) **Patent No.:** **US D909,659 S**
Lin (45) **Date of Patent:** **** Feb. 2, 2021**

(54) **LAMP**
(71) Applicant: **Muchun Lin**, Shantou (CN)
(72) Inventor: **Muchun Lin**, Shantou (CN)
(**) Term: **15 Years**
(21) Appl. No.: **29/739,859**
(22) Filed: **Jun. 30, 2020**
(51) **LOC (13) Cl.** **26-05**
(52) **U.S. Cl.**
USPC **D26/93; D16/221**
(58) **Field of Classification Search**
USPC ... D26/1, 24, 29, 44, 46, 61, 63, 83, 88, 93,
D26/118, 119, 123, 124; D16/221, 225,
D16/230, 231, 234, 235; D14/128, 204;
D21/514
CPC F21S 8/00; F21S 8/03; F21S 8/04; F21S
8/003; F21S 8/028; F21V 21/00; F21V
21/06; F21V 21/15; F21V 21/30; F21V
29/74; F21V 29/83; F21V 29/763; F21V
15/00; F21V 15/01; G03B 21/00; G03B
21/001; G03B 21/12; G03B 21/14; G03B
21/145; G03B 17/54
See application file for complete search history.

D550,268 S * 9/2007 Naruki D16/221
D590,085 S * 4/2009 Irvine D26/63
D607,126 S * 12/2009 Sakai D26/1
D616,579 S * 5/2010 Lloyd D26/44
8,061,858 B2 * 11/2011 Belliveau H04N 9/315
353/119
D652,983 S * 1/2012 Quadri D26/118
D701,259 S * 3/2014 Inui
D720,481 S * 12/2014 Demshki, Jr. D26/24
8,955,979 B2 * 2/2015 Velazquez G03B 21/14
353/31
D768,899 S * 10/2016 Gebhard D26/63
D834,636 S * 11/2018 Gan D16/230
D836,083 S * 12/2018 Elmieh D14/204
D842,265 S * 3/2019 Becker D14/204
D846,784 S * 4/2019 Luo
D851,160 S * 6/2019 Rassadin D16/230
10,308,330 B1 * 6/2019 Spivak F21V 21/30
D853,008 S * 7/2019 Joyeux D26/72

(Continued)

Primary Examiner — Wan Laymon
Assistant Examiner — Clint A Samuel

(57) **CLAIM**

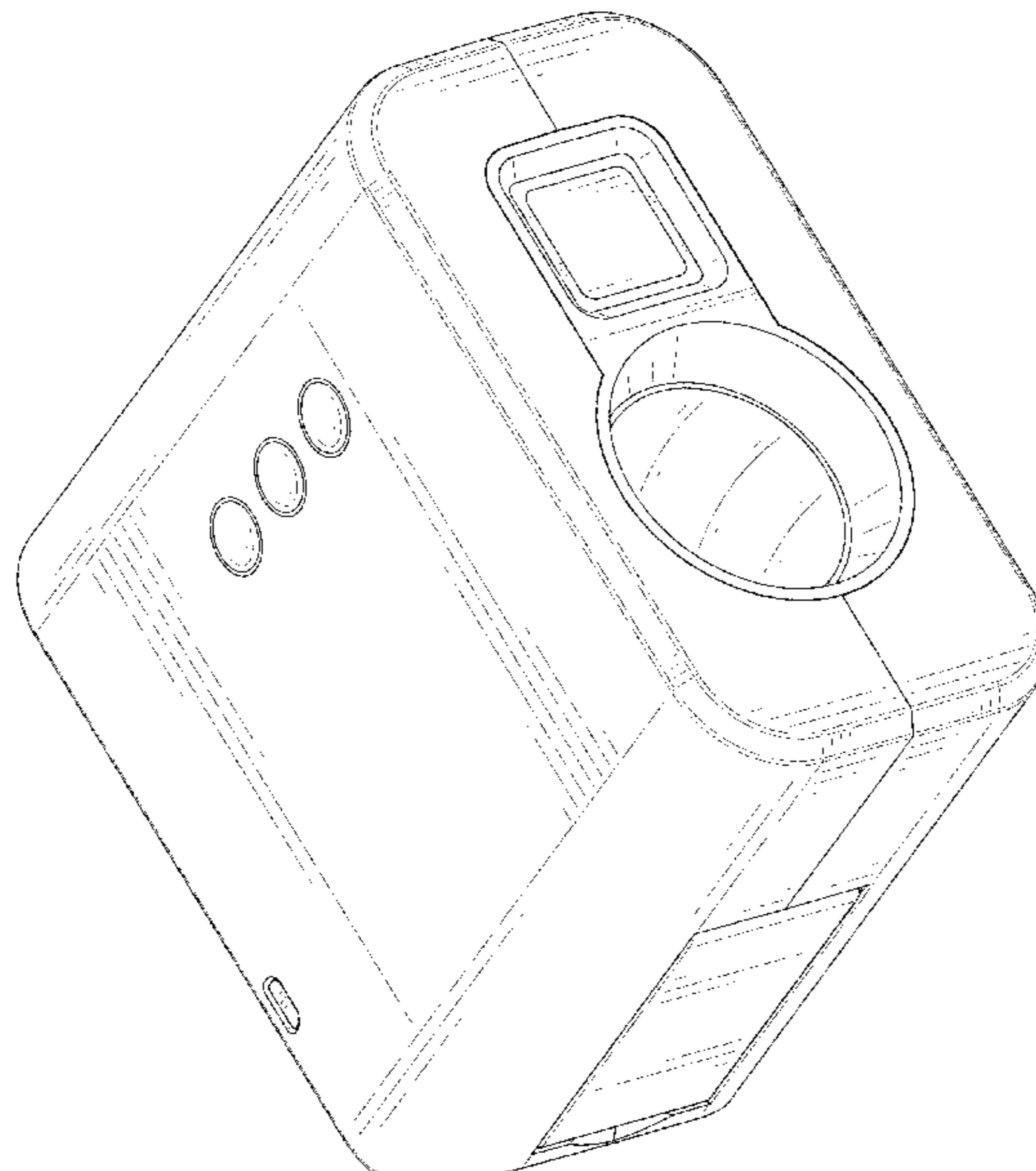
The ornamental design for a lamp, as shown and described.

DESCRIPTION

FIG. 1 is a perspective view of a lamp showing my new design;
FIG. 2 is another perspective view thereof;
FIG. 3 is a front elevational view thereof;
FIG. 4 is a rear elevational view thereof;
FIG. 5 is a left side elevational view thereof;
FIG. 6 is a right side elevational view thereof;
FIG. 7 is a top plan view thereof;
FIG. 8 is a bottom plan view thereof; and,
FIG. 9 is a perspective view of the lamp where the lamp is in a configuration of use.
The broken lines in the drawings depict portions of the lamp that form no part of the claimed design.

1 Claim, 9 Drawing Sheets

(56) **References Cited**
U.S. PATENT DOCUMENTS
D221,894 S * 9/1971 Rhoades D26/44
D322,136 S * 12/1991 Shima D26/28
D513,030 S * 12/2005 Schoenert D16/221
D514,611 S * 2/2006 Schoenert D16/221
7,004,586 B2 * 2/2006 Morinaga G03B 21/142
349/58
7,011,417 B2 * 3/2006 Kyoto G03B 21/145
352/243
D545,861 S * 7/2007 Naruki D16/221
D545,864 S * 7/2007 Naruki D16/221



(56)

References Cited

U.S. PATENT DOCUMENTS

D857,270 S * 8/2019 Recker D26/63
10,401,013 B2 * 9/2019 Quadri F21V 29/61
D862,410 S * 10/2019 Lee D14/204
D871,641 S * 12/2019 Becker D26/63
D878,451 S * 3/2020 Pigino D16/229
D879,182 S * 3/2020 Deng D16/230
D880,565 S * 4/2020 Hu D16/230
D882,670 S * 4/2020 He D16/230
D885,645 S * 5/2020 Dennis D26/118
D896,299 S * 9/2020 Ou D16/230
D896,300 S * 9/2020 Long D16/230
D901,573 S * 11/2020 Li D16/221
D901,740 S * 11/2020 Bao D26/63
D902,983 S * 11/2020 Yin D16/231
D903,919 S * 12/2020 Recker D26/63
D904,495 S * 12/2020 Deng D16/230
2004/0095761 A1 * 5/2004 Esakoff H01R 33/06
362/648
2018/0084921 A1 * 3/2018 Huang G03B 21/64
2020/0309335 A1 * 10/2020 Quadri F21V 23/0492

* cited by examiner

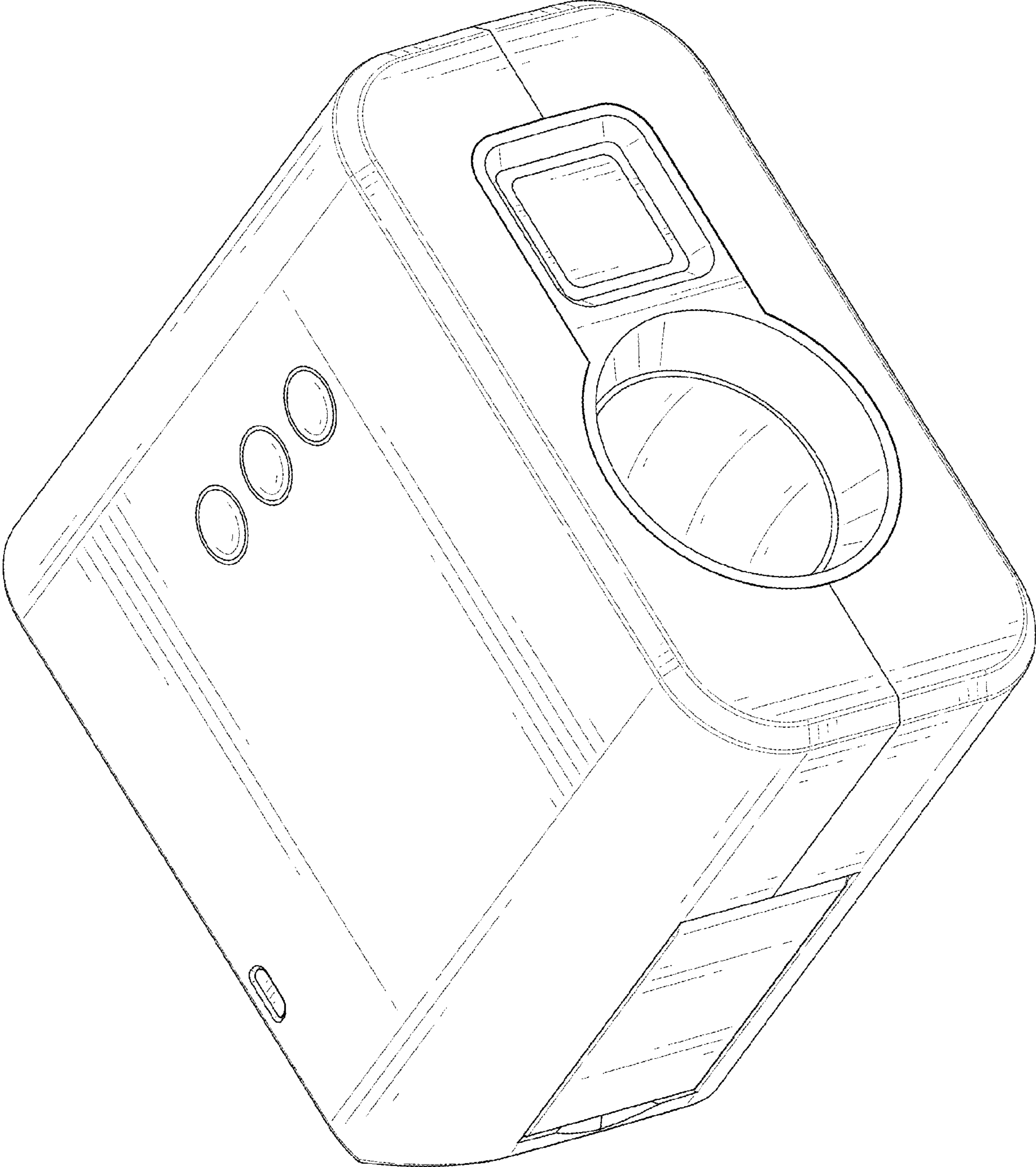


FIG. 1

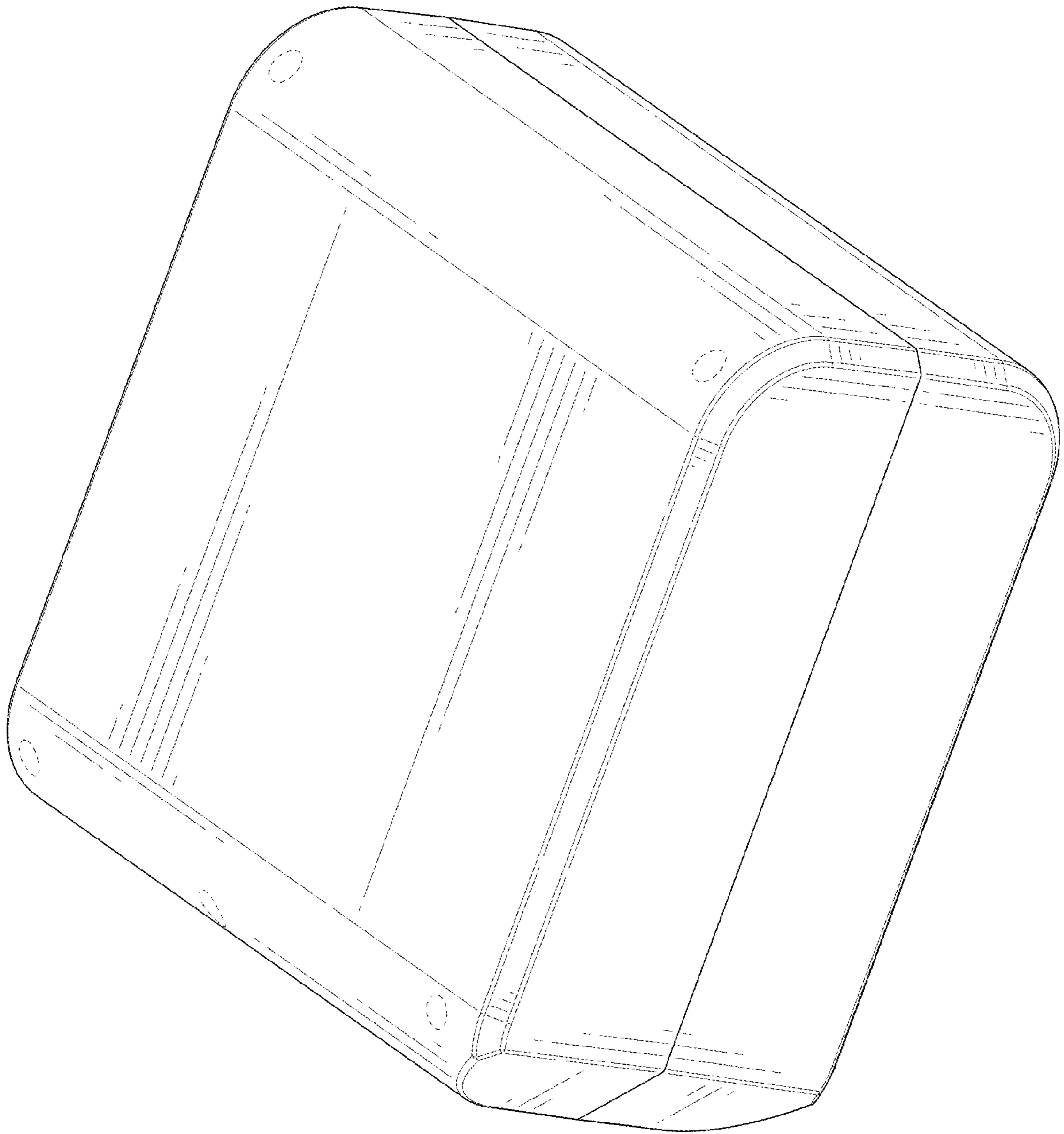


FIG. 2

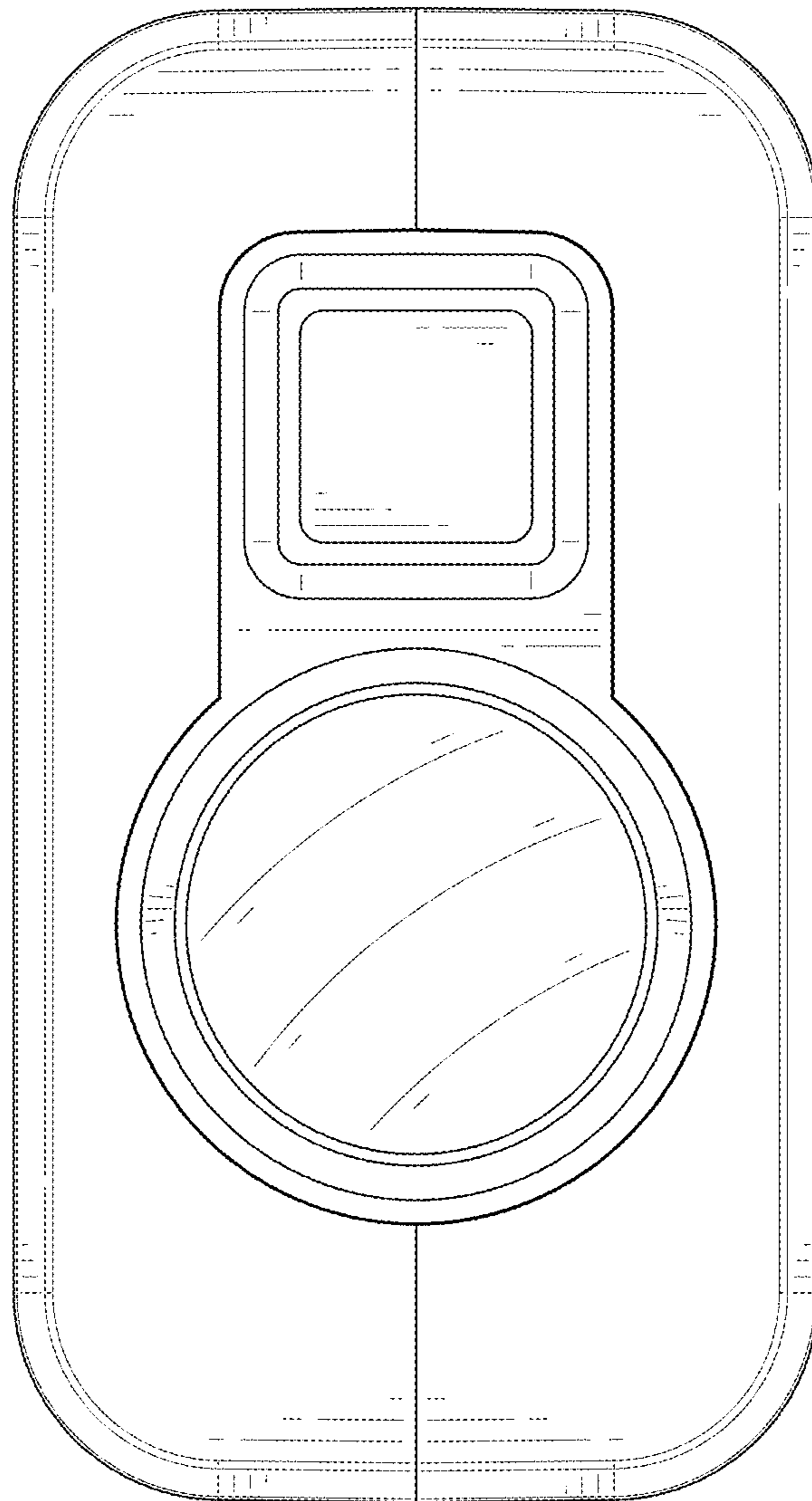


FIG. 3

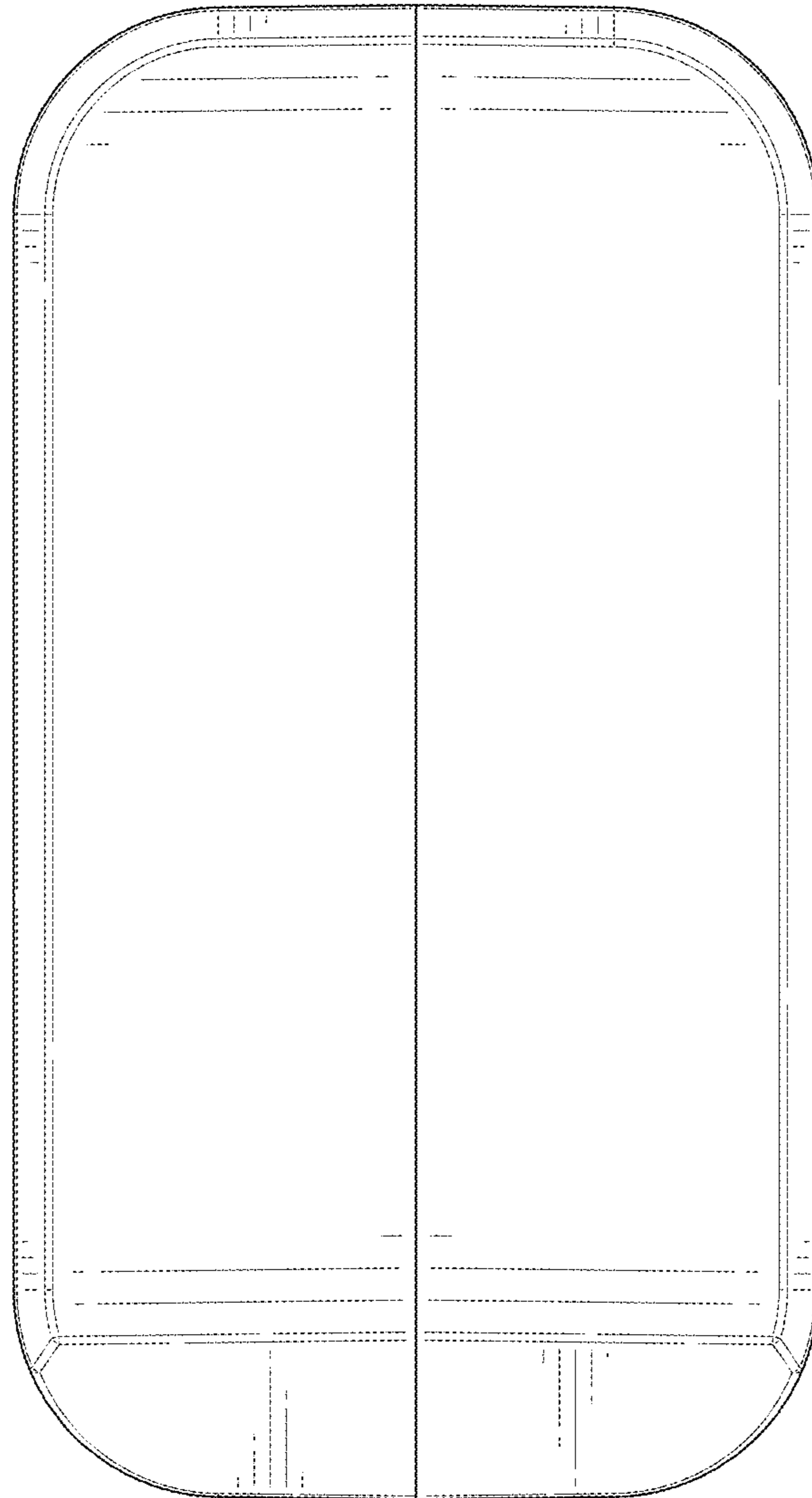


FIG. 4

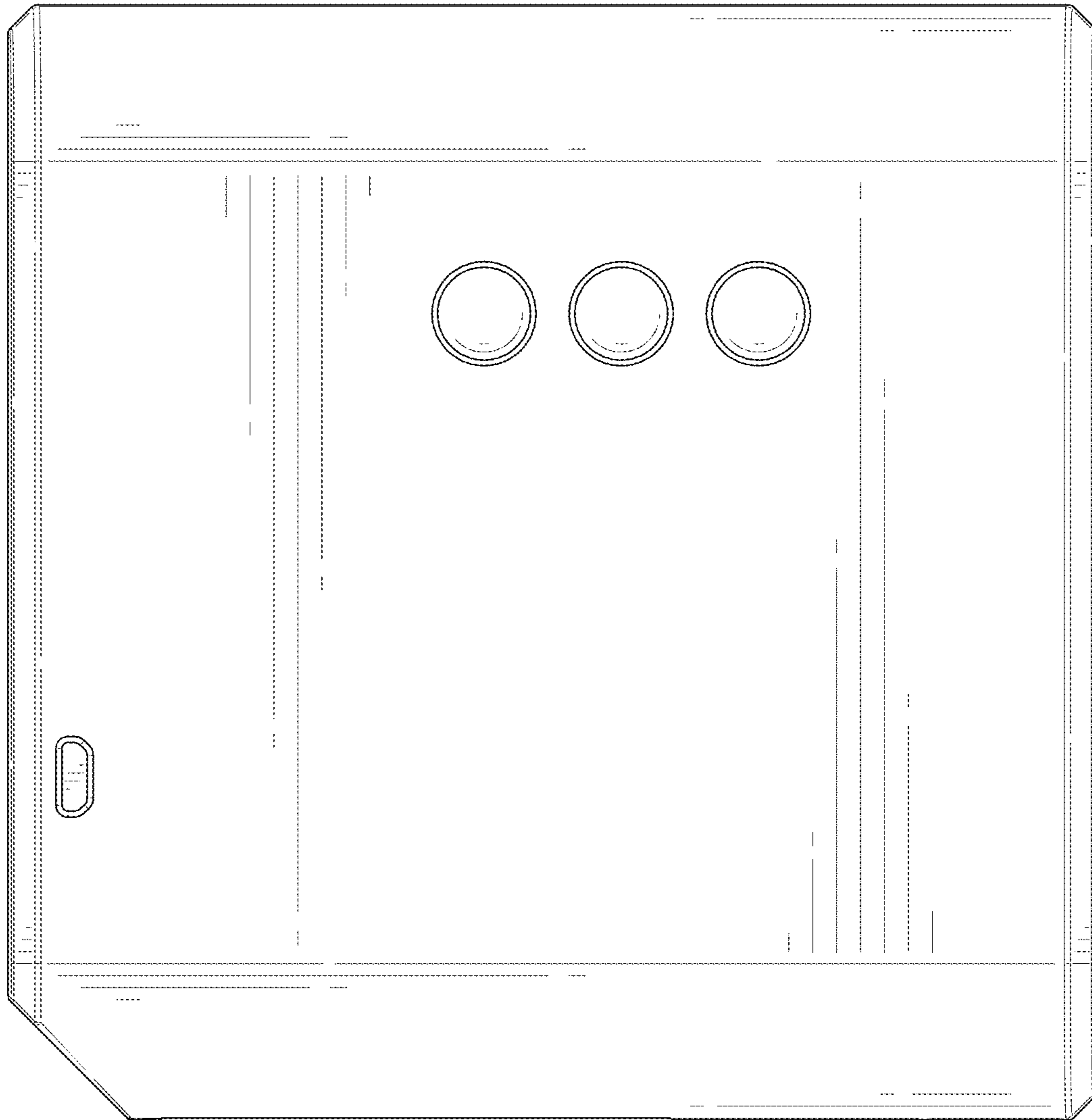


FIG. 5

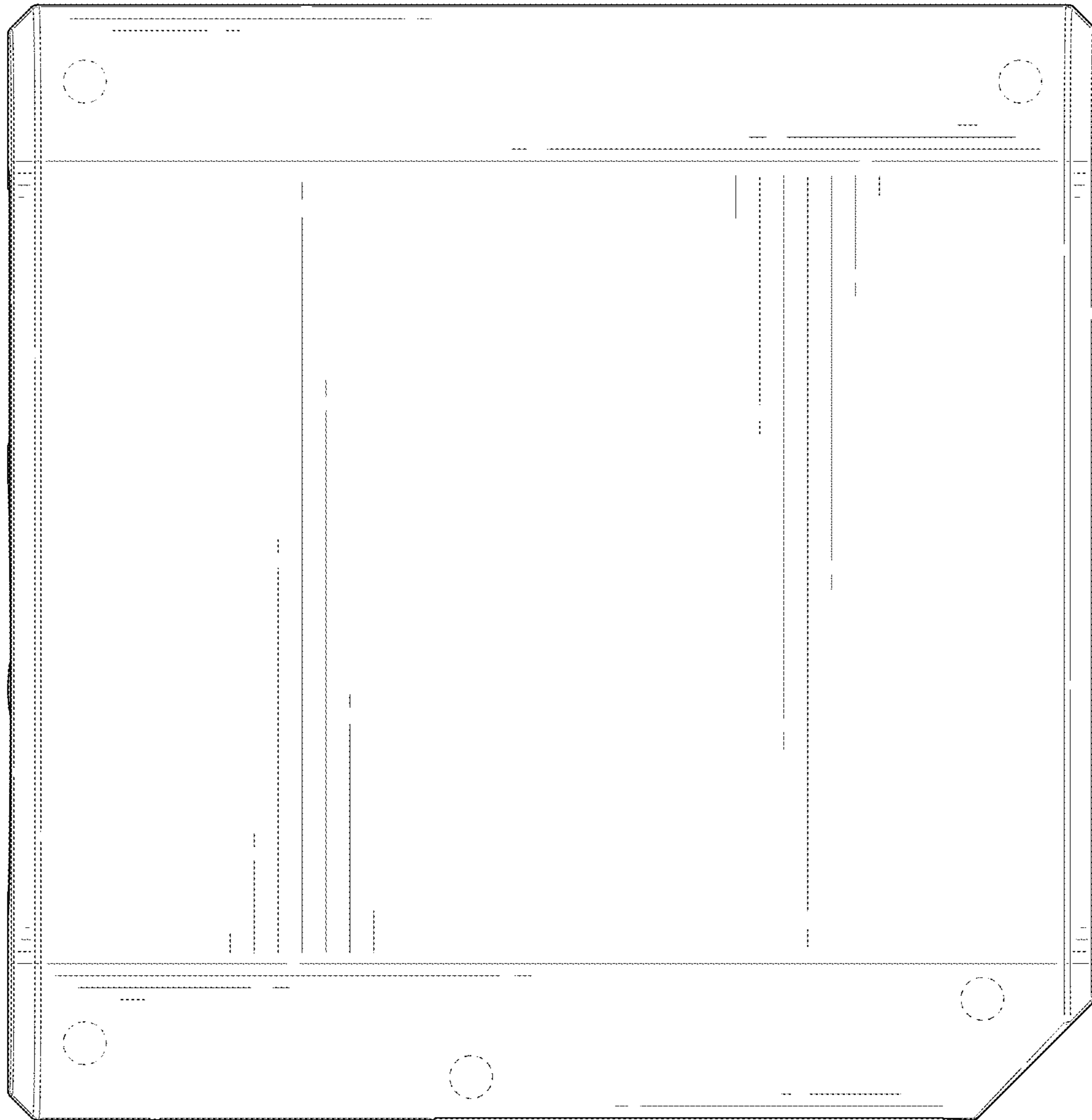


FIG. 6

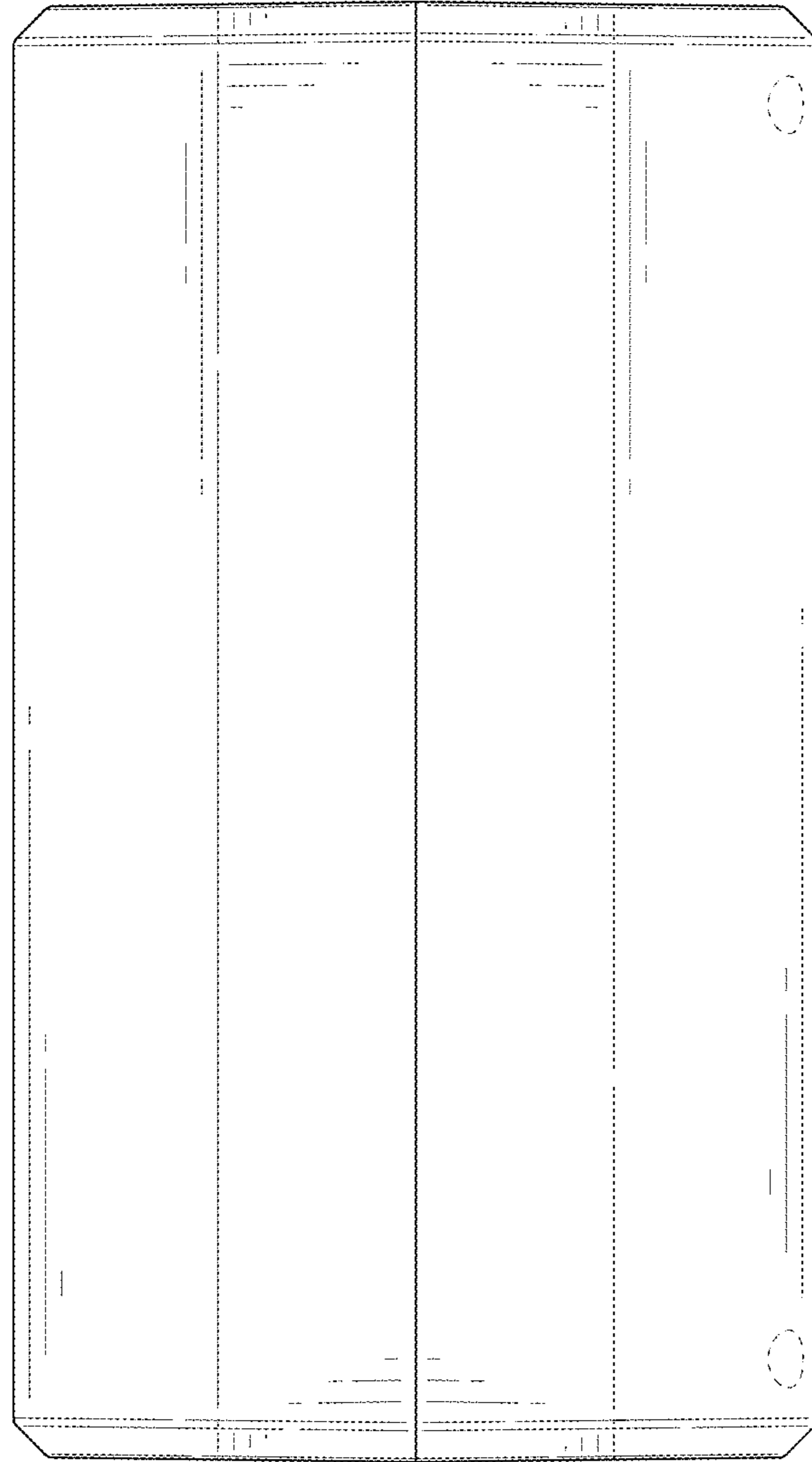


FIG. 7

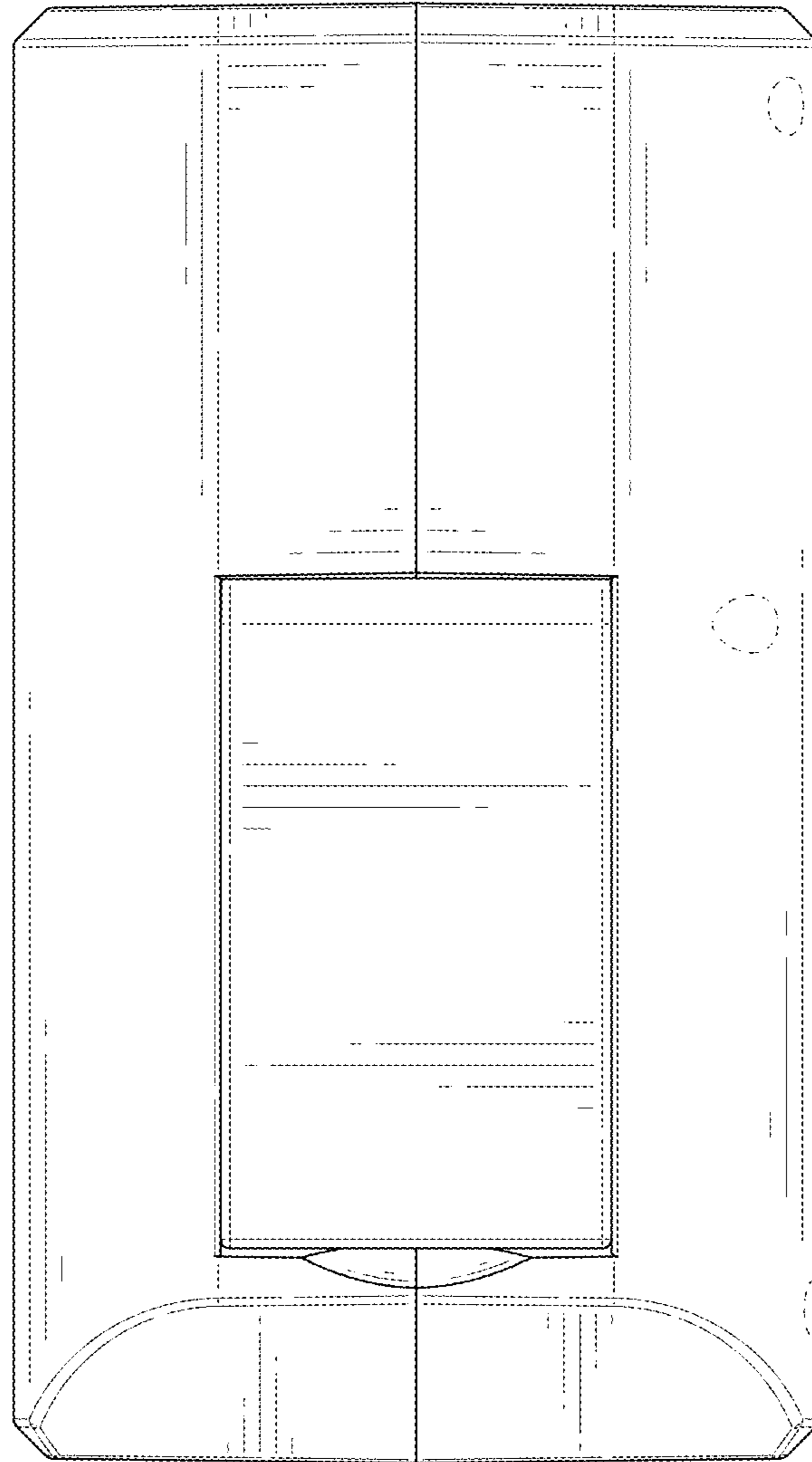


FIG. 8

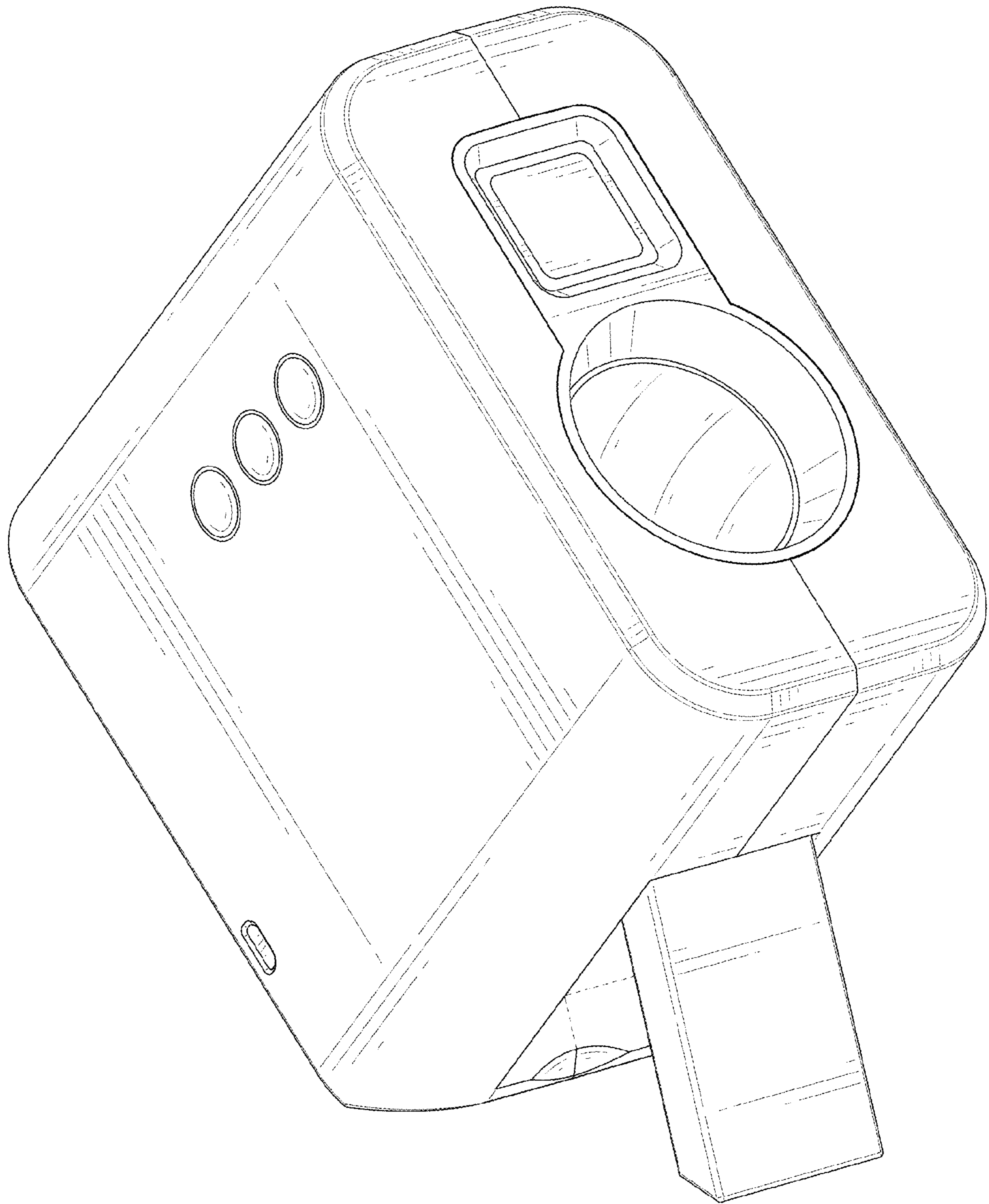


FIG. 9