



US00D909656S

(12) **United States Design Patent** (10) **Patent No.:** **US D909,656 S**
Ng et al. (45) **Date of Patent:** **** Feb. 2, 2021**

(54) **LAMP**
(71) Applicant: **Koncept Technologies, Inc.**, Monrovia, CA (US)
(72) Inventors: **Kenneth Ng**, Monrovia, CA (US); **Edmund Ng**, Monrovia, CA (US)
(73) Assignee: **KONCEPT TECHNOLOGIES, INC.**, Monrovia, CA (US)

D803,459 S * 11/2017 Wright D26/88
D810,912 S * 2/2018 McRoberts D23/377
D824,079 S * 7/2018 Maxik D26/89
D834,002 S * 11/2018 Bergfeldt D14/218
D856,571 S * 8/2019 Chami D26/118
D857,287 S * 8/2019 Holmes D26/128
D861,958 S * 10/2019 Winters D26/89
D865,270 S * 10/2019 McRoberts D26/118
D887,077 S * 6/2020 Wright D26/124
10,739,513 B2 * 8/2020 Kim G02B 6/0038
2010/0091503 A1 * 4/2010 Kuo F21V 21/03
362/362

(**) Term: **15 Years**

(21) Appl. No.: **29/679,701**

(22) Filed: **Feb. 8, 2019**

(51) **LOC (13) Cl.** **26-05**

(52) **U.S. Cl.**
USPC **D26/89**

(58) **Field of Classification Search**
USPC D26/72, 80, 83, 85-89, 118, 123-124, D26/128
CPC F21S 8/03; F21S 8/04; F21S 8/043; F21S 8/046; F21S 8/06; F21S 8/061; F21S 8/063; F21V 21/02; F21V 21/03
See application file for complete search history.

(56) **References Cited**

U.S. PATENT DOCUMENTS

D556,939 S * 12/2007 Gajewski D26/128
D607,138 S * 12/2009 Pickett D26/128
D625,403 S * 10/2010 Liu D23/377
D628,286 S * 11/2010 Yang D23/411
D634,053 S * 3/2011 Guercio D26/89
D691,763 S * 10/2013 Hand D26/89
D695,945 S * 12/2013 Wright D26/89
D718,485 S * 11/2014 Wright D26/89
D741,535 S * 10/2015 Wright D26/89
D742,059 S * 10/2015 Gettings D26/120
D746,511 S * 12/2015 Gettings D26/152
D773,103 S * 11/2016 Recker D26/89
D800,370 S * 10/2017 Sonneman D26/89

OTHER PUBLICATIONS

build.com: Nuvo Lighting 7" Wide LED Flush Mount Ceiling Fixture. Undated online product page. Retrieved from internet Nov. 19, 2020: <https://www.build.com/product/summary/1648850?uid=3905776&jmtest=gg-gbav2_3905777&inv=. . .> (Year: 2020).*

* cited by examiner

Primary Examiner — Sheryl Lane
Assistant Examiner — Stacey L Hopkins
(74) *Attorney, Agent, or Firm* — Steins & Associates, P.C.

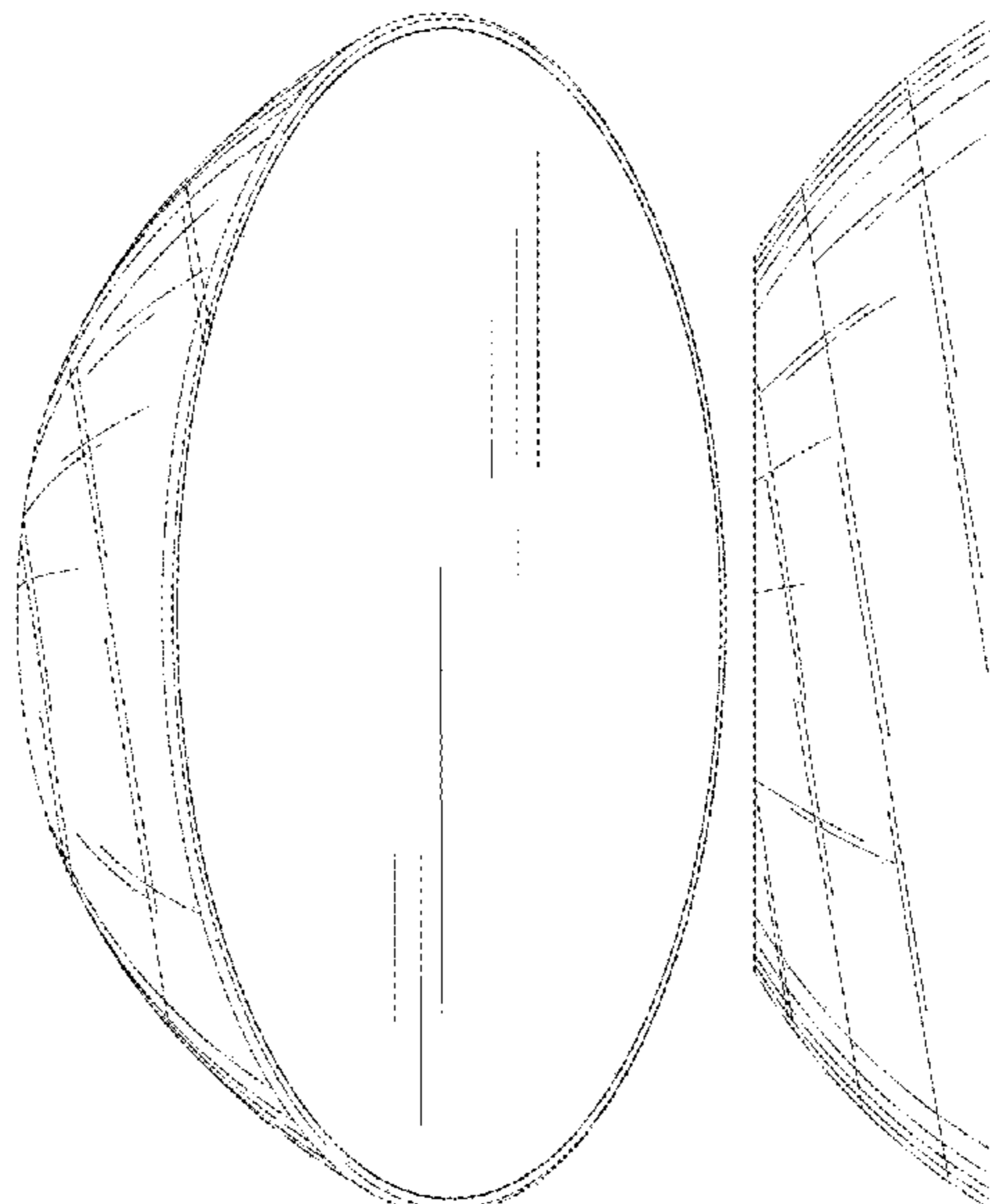
(57) **CLAIM**

What is claimed is the ornamental design for a lamp, as shown.

DESCRIPTION

FIG. 1 is a perspective view of the lamp;
FIG. 2 is a front view of the lamp;
FIG. 3 is a back view of the lamp;
FIG. 4 is a left side view of the lamp;
FIG. 5 is a right side view of the lamp;
FIG. 6 is a top view of the lamp; and,
FIG. 7 is a bottom view of the lamp.
The portions of the lamp shown in broken lines form no part of the claimed design.

1 Claim, 7 Drawing Sheets



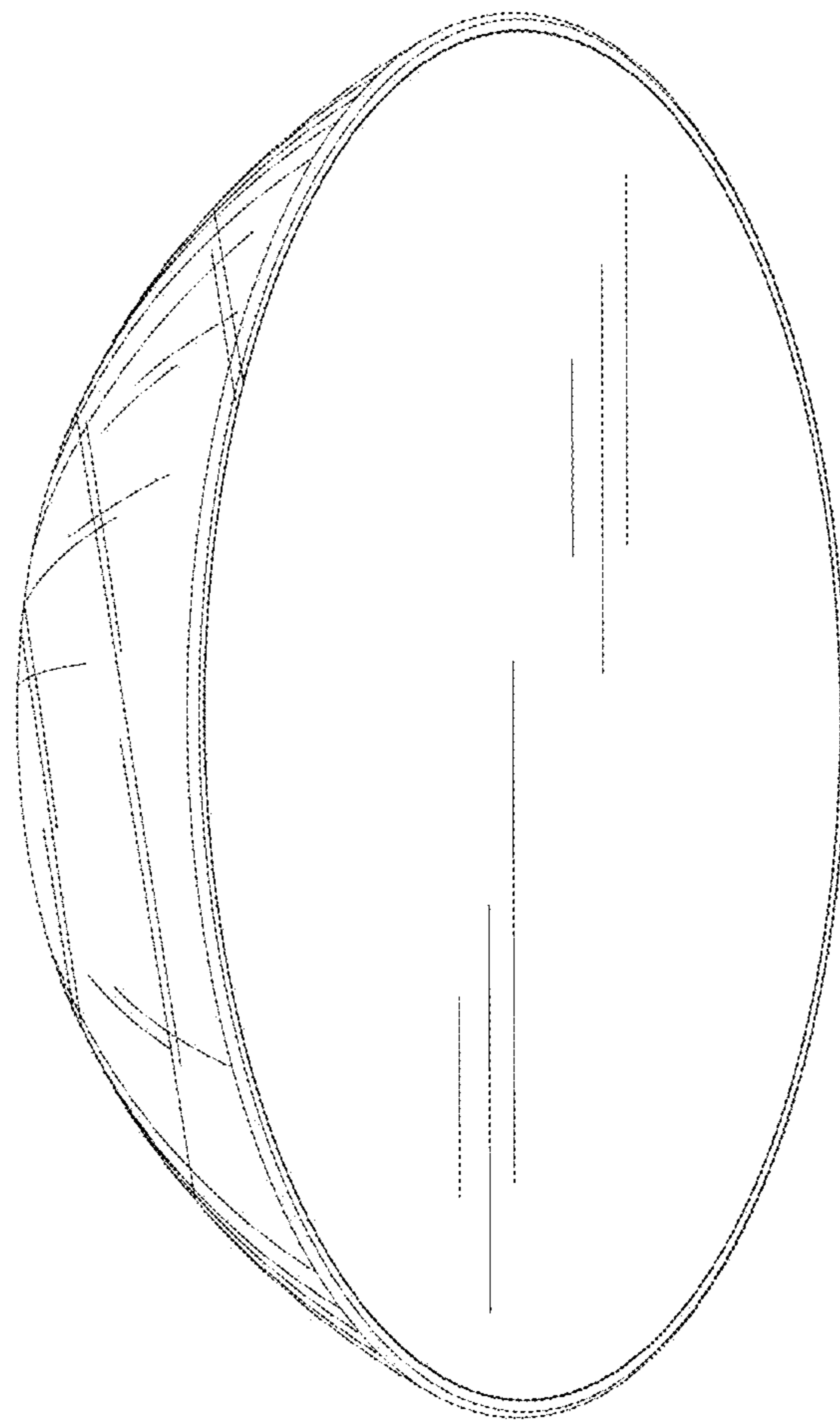


FIG. 1

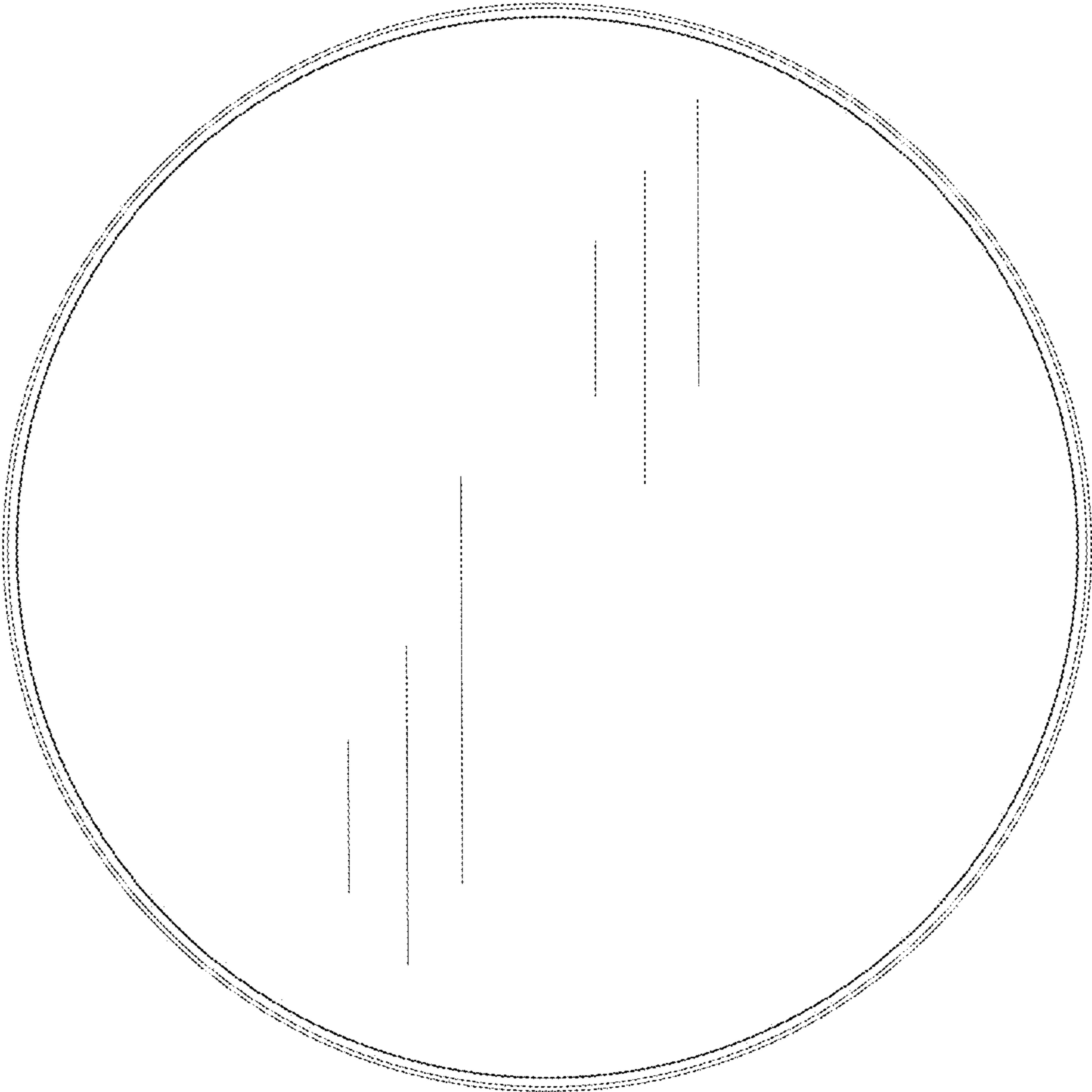


FIG. 2

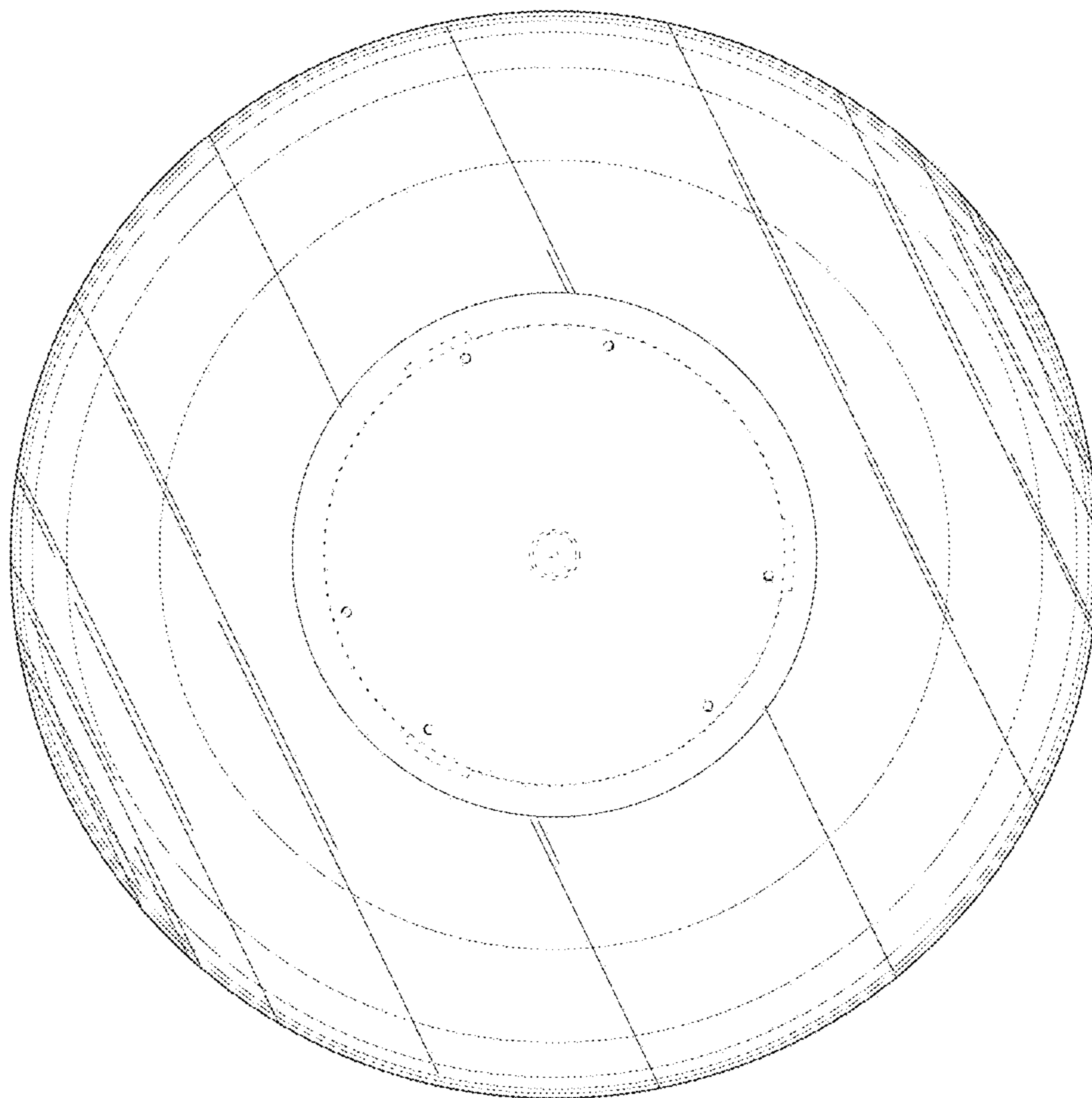


FIG. 3

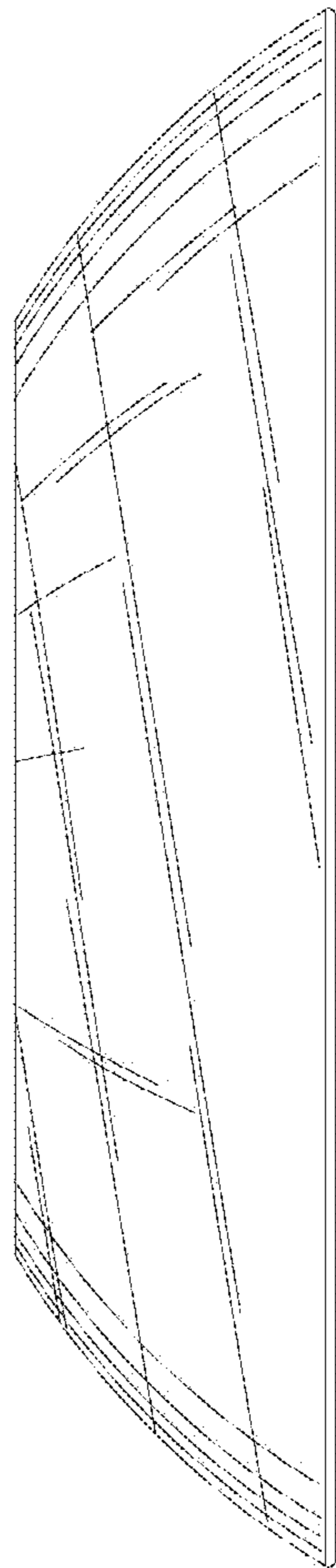


FIG. 4

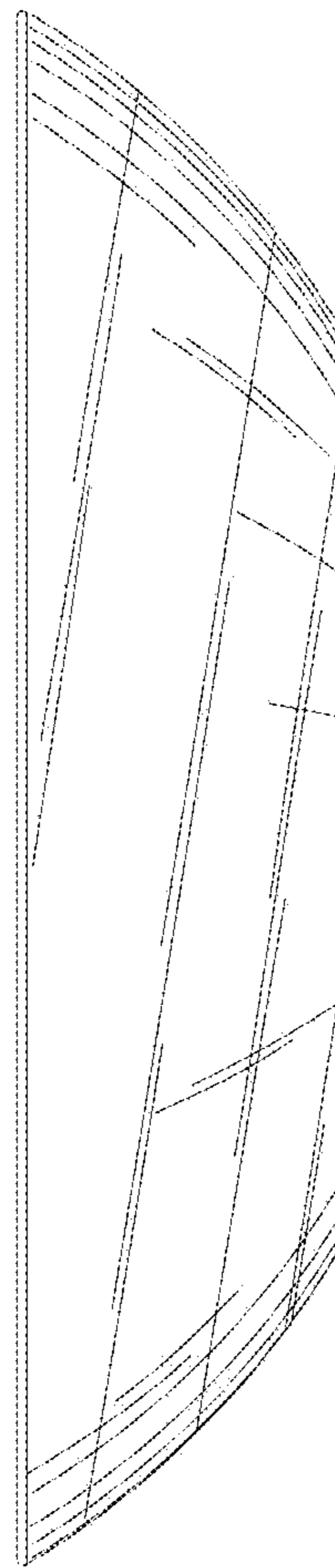


FIG. 5

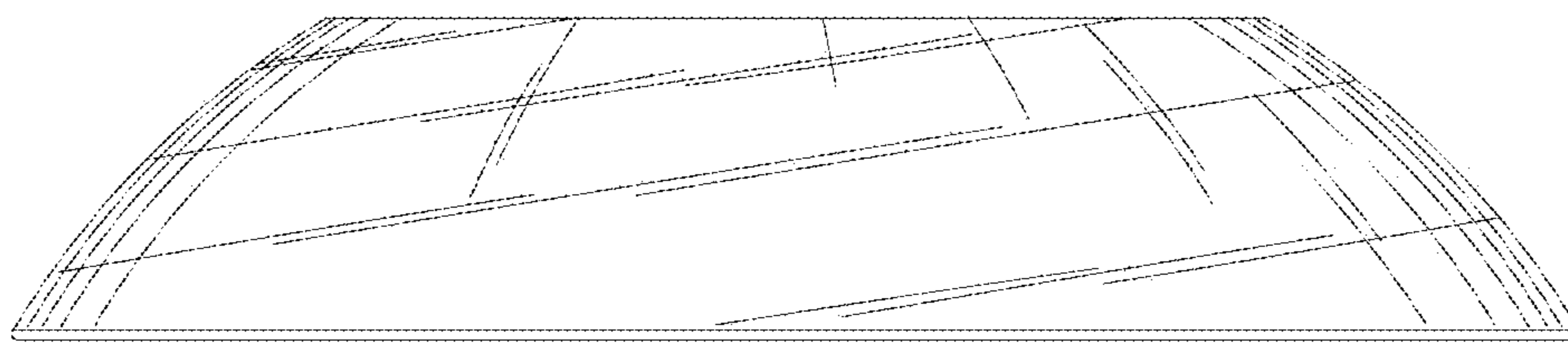


FIG. 6

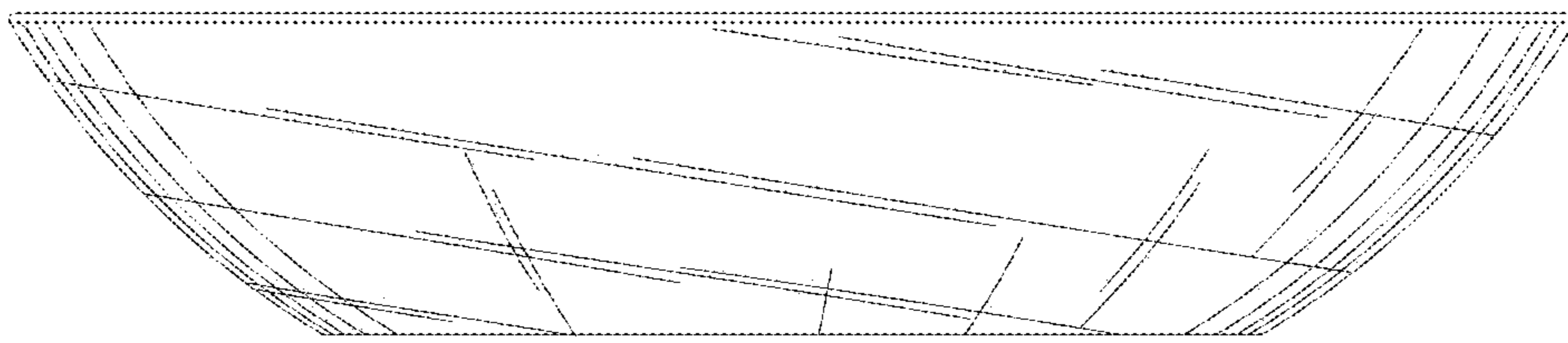


FIG. 7