

US00D909654S

(12) **United States Design Patent** (10) **Patent No.:** **US D909,654 S**
Sokol (45) **Date of Patent:** **** Feb. 2, 2021**

(54) **LIGHT FIXTURE**

FOREIGN PATENT DOCUMENTS

(71) Applicant: **Seville Classics Inc.**, Torrance, CA (US)

CN 304381788 * 12/2017
JP D1060823 * 2/2000

(Continued)

(72) Inventor: **James Sokol**, Brea, CA (US)

OTHER PUBLICATIONS

(73) Assignee: **Senile Classics, Inc.**, Torrance, CA (US)

“Sunco Lighting 10 Pack Industrial LED Shop Light, 4 Ft, Linkable Integrated Fixture,” Jan. 24, 2017, amazon.com, site visited Oct. 28, 2020, URL:https://www.amazon.com/dp/B07D95HDRJ/ref=sspa_dk_detail_6?psc=1&pd_rd_i=B07D95HDRJ&pd_rd (Year: 2017).*

(Continued)

(**) Term: **15 Years**

(21) Appl. No.: **29/692,940**

(22) Filed: **May 29, 2019**

(51) **LOC (13) Cl.** **26-04**

(52) **U.S. Cl.**
USPC **D26/76**

(58) **Field of Classification Search**
USPC D26/24–27, 60–69, 72, 74–78, 80–83, D26/85–86, 89, 93, 104, 106, 108–115, D26/118, 120; D10/111–115
CPC F21S 8/00; F21S 8/03; F21S 8/04; F21S 8/026; F21S 8/046; F21S 8/088; F21V 15/00; F21V 15/01
See application file for complete search history.

Primary Examiner — Eric L Goodman

Assistant Examiner — Sarah L Smith

(74) *Attorney, Agent, or Firm* — Raymond Sun

(57) **CLAIM**

The ornamental design for a light fixture, as shown and described.

DESCRIPTION

FIG. 1 is a top perspective view of a light fixture showing my new design;
FIG. 2 is a front view thereof;
FIG. 3 is a rear view thereof;
FIG. 4 is a left view thereof;
FIG. 5 is a right view thereof;
FIG. 6 is a top view thereof;
FIG. 7 is a bottom view thereof; and,
FIG. 8 is an enlarged view of the portion shown in FIG. 1. The broken lines shown in the figures represent portions of the light fixture that form no part of the claimed design. The light fixture is shown with a symbolic break in its length. The appearance of any portion of the article between the break lines forms no part of the claimed design.

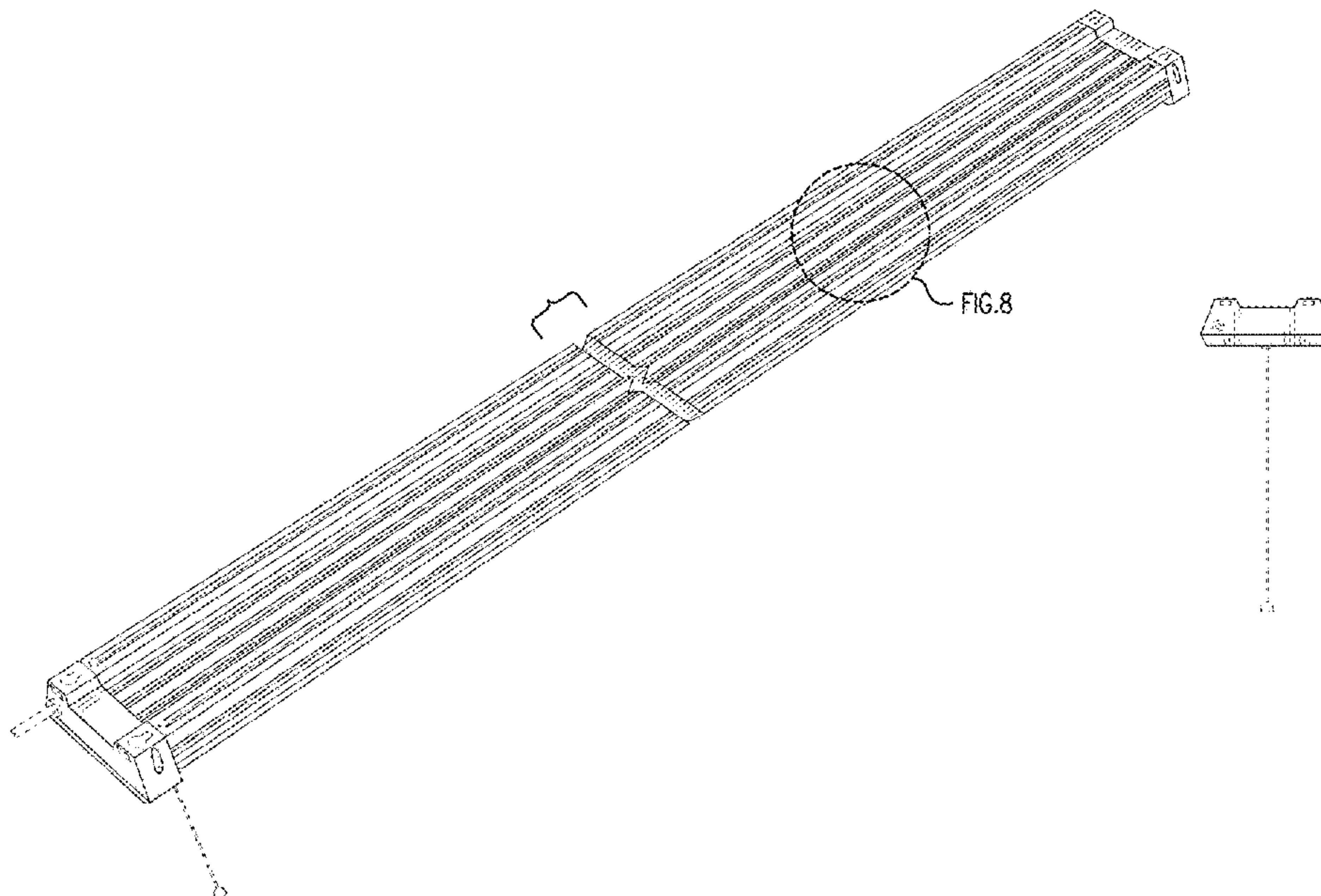
(56) **References Cited**

U.S. PATENT DOCUMENTS

D218,356 S *	8/1970	Bobrick	D26/76
D265,854 S *	8/1982	Maguire	D26/78
D300,874 S *	4/1989	Szymanek	D26/76
D758,634 S *	6/2016	Burmeister	D26/77
D771,858 S *	11/2016	Wu	D26/76
D776,854 S *	1/2017	Baumeister	D26/76
D787,107 S *	5/2017	Burmeister	D26/76
D795,486 S *	8/2017	Goltche	D26/74
D847,397 S *	4/2019	Brandrup	D26/76
D878,660 S *	3/2020	Sun	D26/76

(Continued)

1 Claim, 7 Drawing Sheets



(56)

References Cited

U.S. PATENT DOCUMENTS

D898,976 S * 10/2020 Xu D26/76

FOREIGN PATENT DOCUMENTS

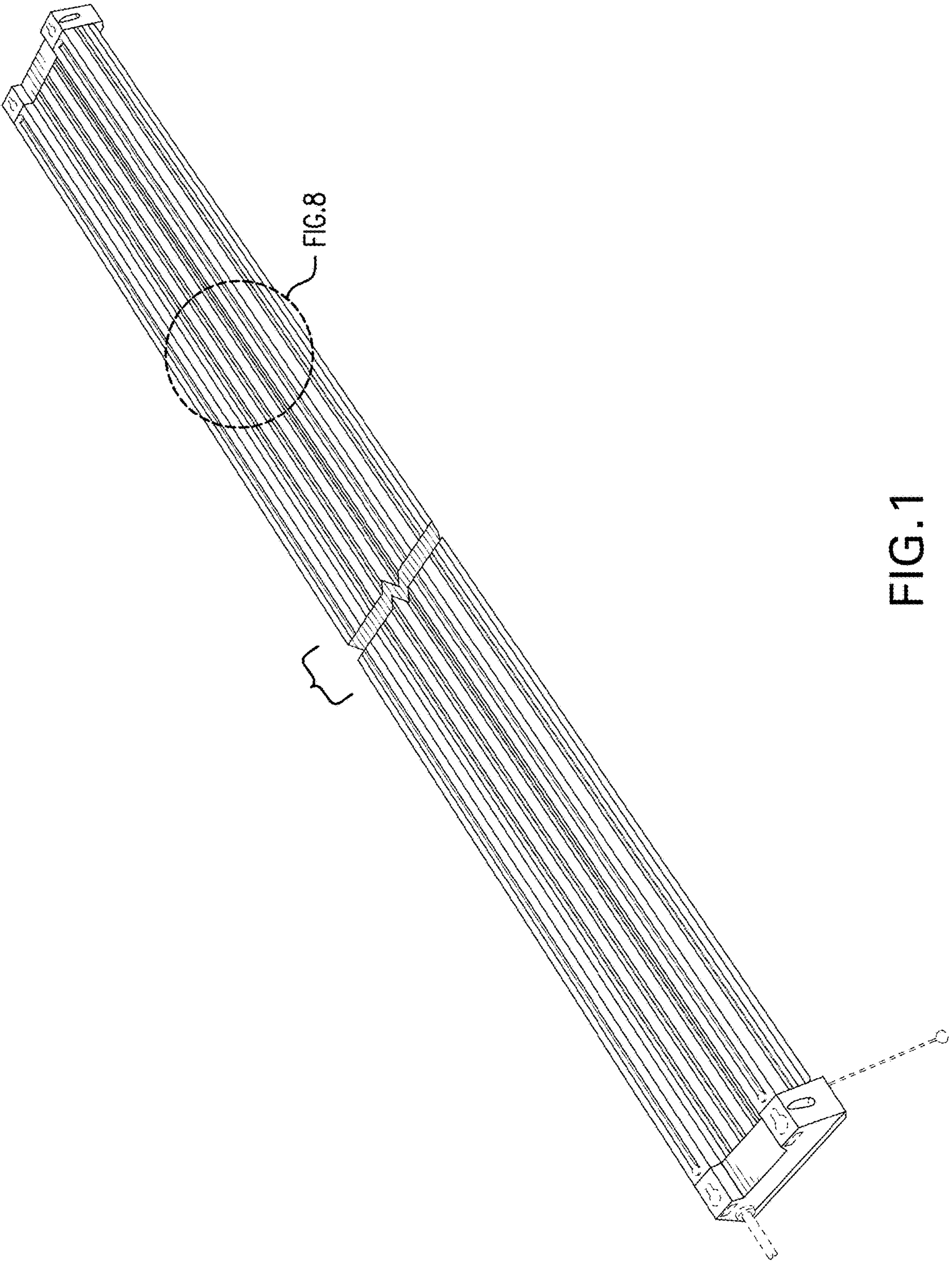
JP D1310691 * 9/2007
KR 300775917 * 12/2014

OTHER PUBLICATIONS

“Sunco Lighting 2 Pack Led Utility Shop Light, 4 Ft, Linkable Integrated Fixture,” Jan. 24, 2017, amazon.com, site visited Oct. 28, 2020, URL:https://www.amazon.com/dp/B0748W7PZG/ref=sspa_dk_detail_9?psc=1&pd_rd_i (Year: 2017).*

“Leonlite 4ft LED Utility Shop Light,” Nov. 6, 2017, amazon.com, site visited Oct. 28, 2020, URL: <https://www.amazon.com/4ft-Linkable-Activated-5000K-Daylight-Basement-Workshop/dp/B0777BTDDQ> (Year: 2017).*

* cited by examiner



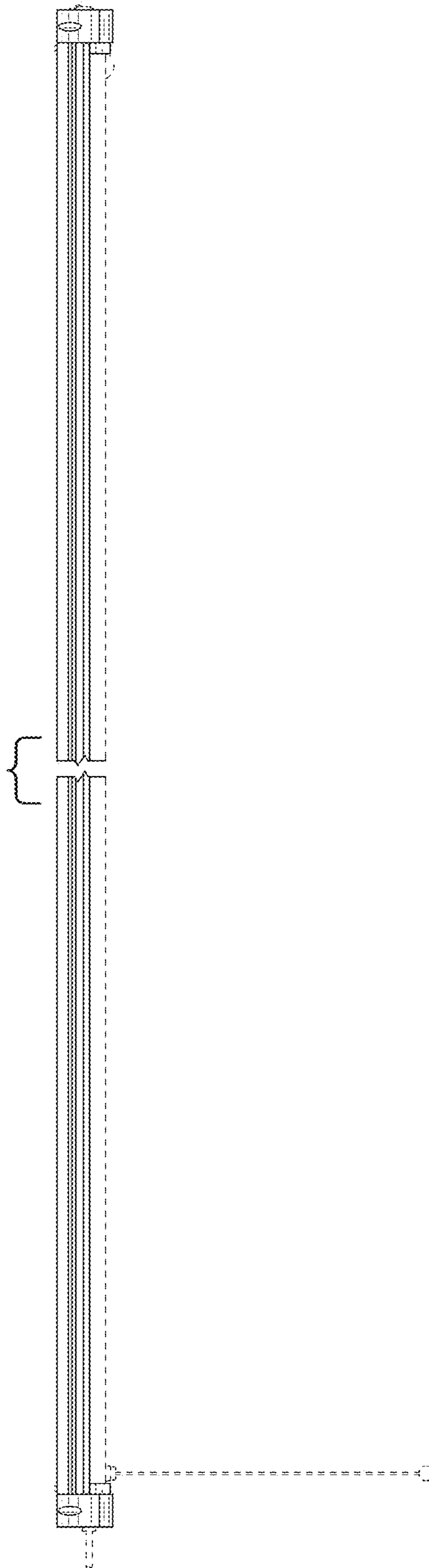


FIG. 2

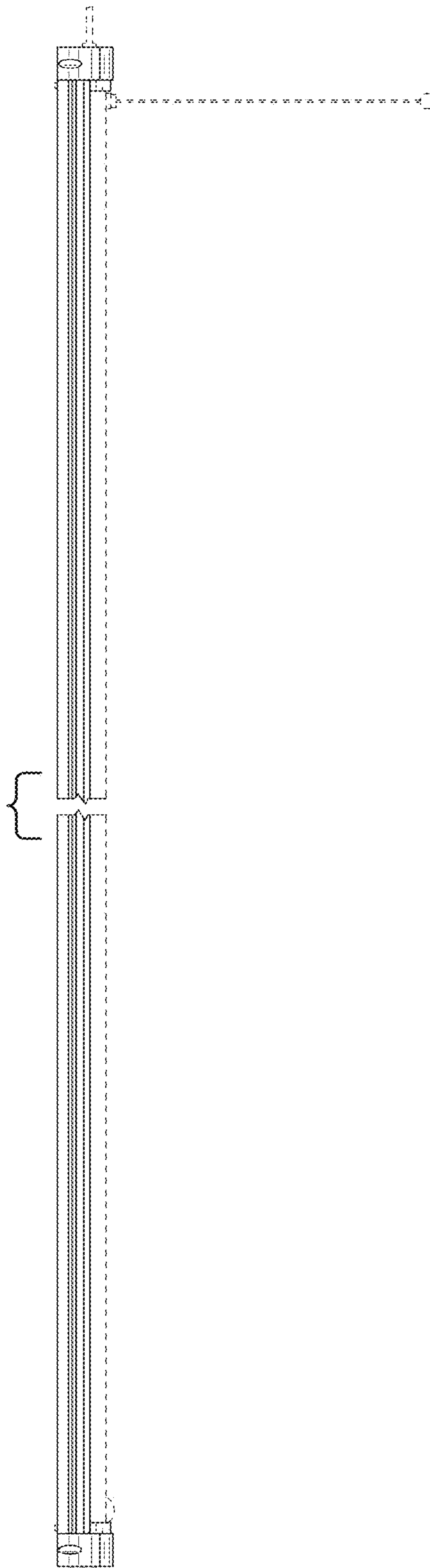


FIG. 3

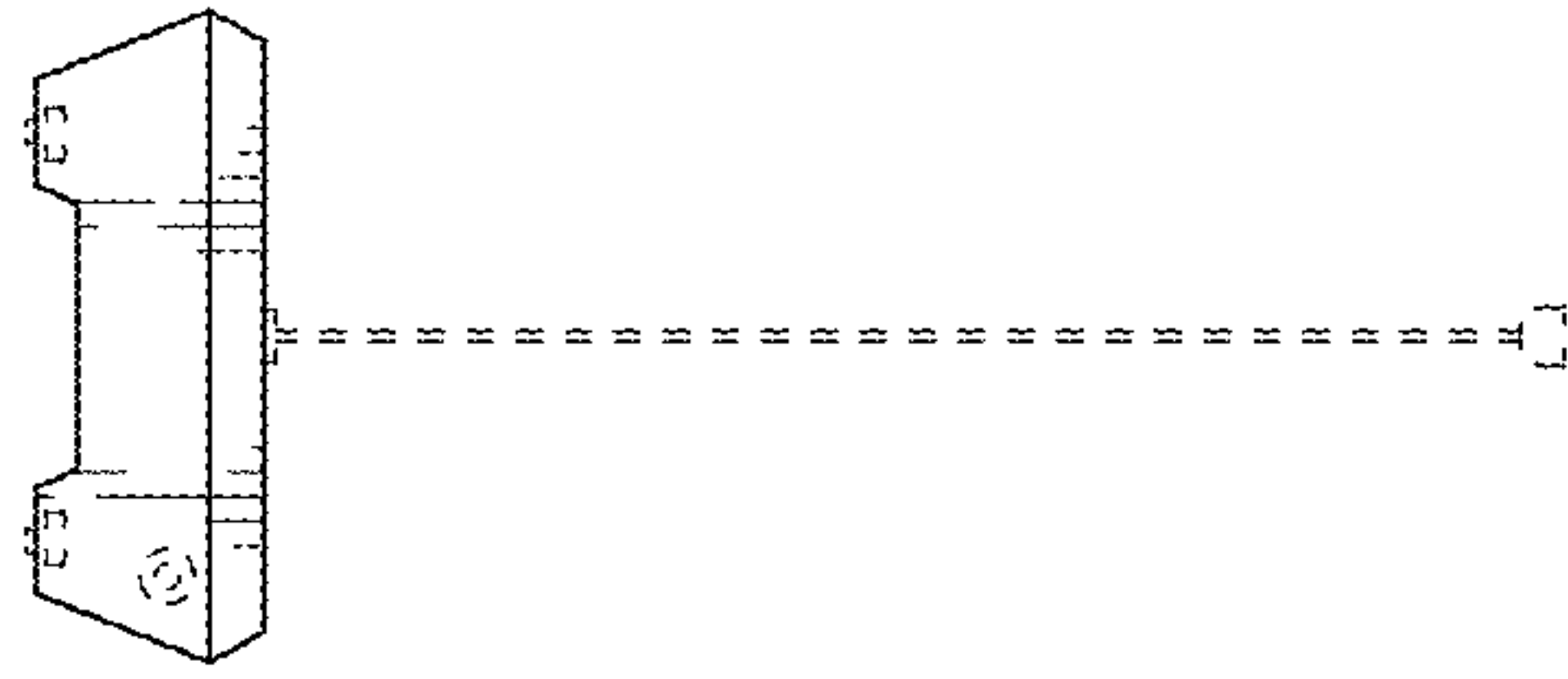


FIG. 5

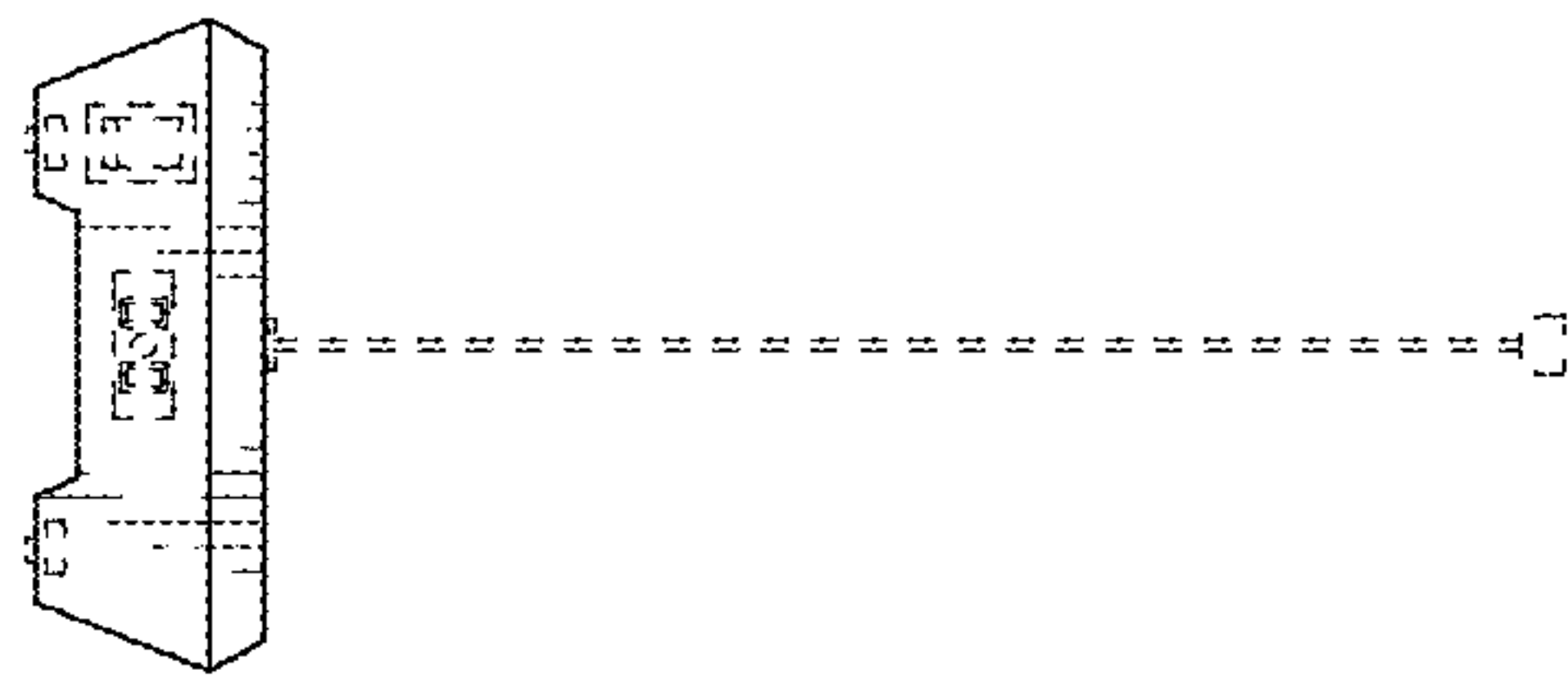


FIG. 4

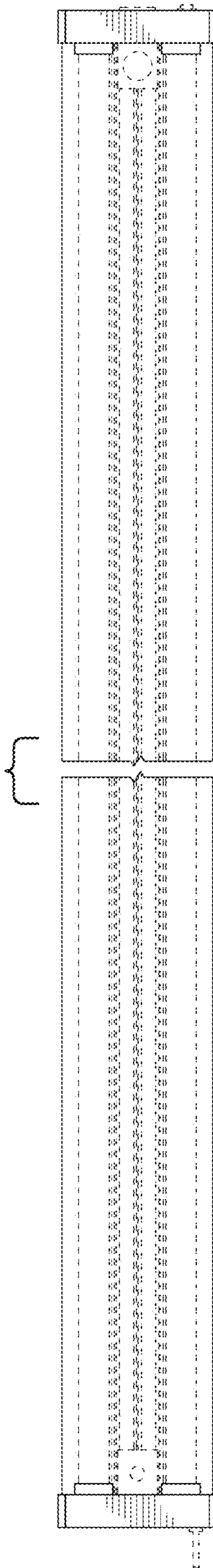


FIG. 6

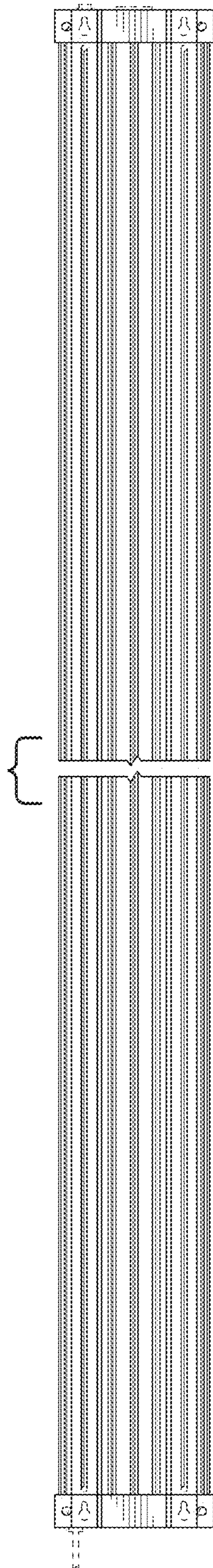


FIG. 7

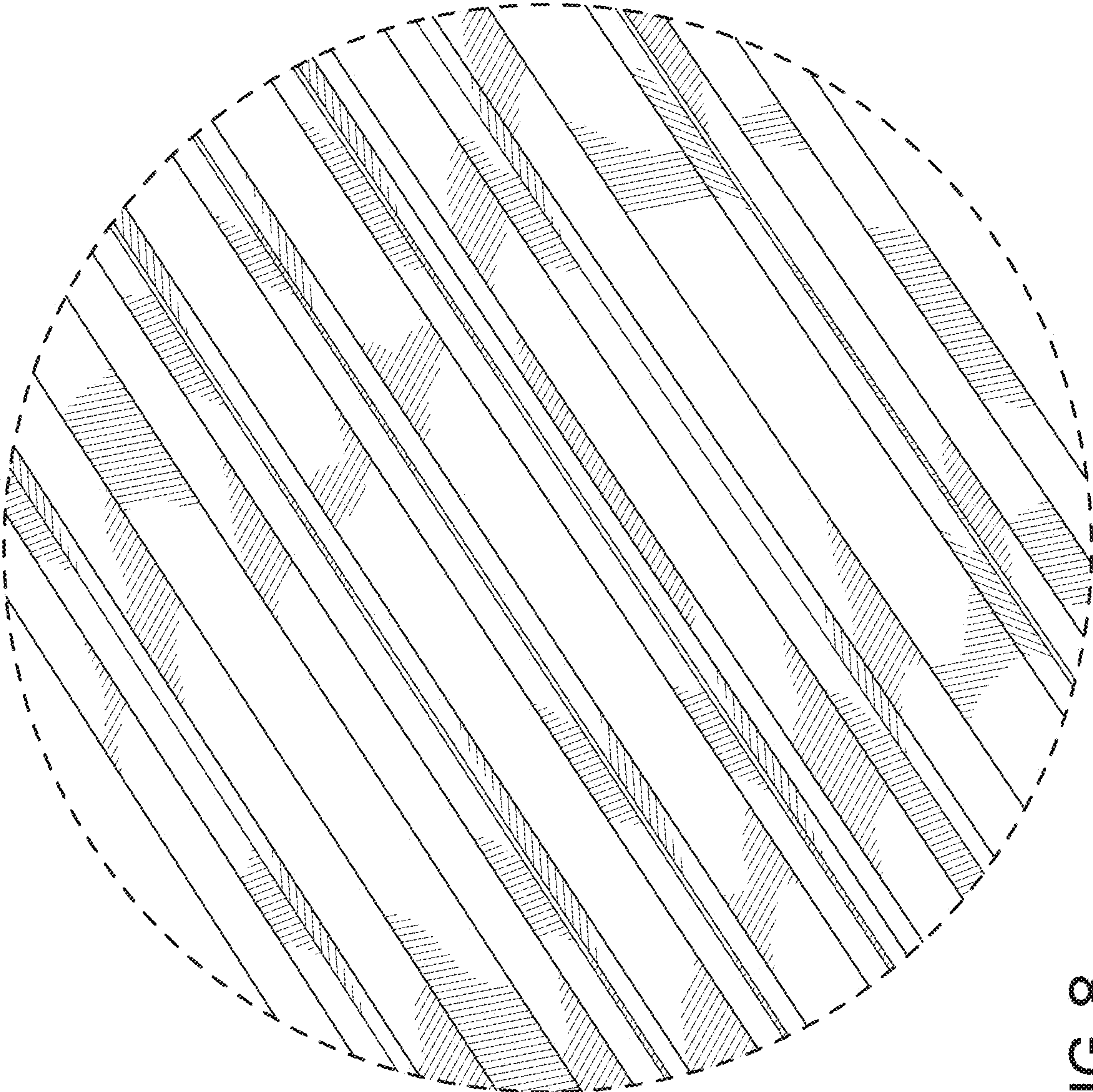


FIG. 8