



US00D909653S

(12) **United States Design Patent**
Zhuo

(10) **Patent No.:** **US D909,653 S**

(45) **Date of Patent:** **** Feb. 2, 2021**

(54) **INTEGRATED HUMAN INDUCED STREET LAMP**

(71) Applicant: **ZHONGSHAN YINGHAO SOLAR TECHNOLOGY CO., LTD.**,
Guangdong (CN)

(72) Inventor: **Qiang Zhuo**, Guangdong (CN)

(73) Assignee: **ZHONGSHAN YINGHAO SOLAR TECHNOLOGY CO., LTD.**,
Zhongshan (CN)

(**) Term: **15 Years**

(21) Appl. No.: **29/675,239**

(22) Filed: **Dec. 28, 2018**

(30) **Foreign Application Priority Data**

Sep. 15, 2018 (CN) 2018 3 0537243

(51) **LOC (13) Cl.** **26-05**

(52) **U.S. Cl.**
USPC **D26/71**

(58) **Field of Classification Search**
USPC D26/24, 63, 71, 72, 74, 75-78, 80-92,
D26/118, 120, 122, 142, 149; D13/134;
D10/111-115
CPC F21V 23/003; F21V 23/023; F21V 29/71;
F21V 29/713; F21V 29/717; F21V 29/73;
F21V 29/74; F21V 29/745; F21V 29/75;
F21V 29/76; F21V 5/00; F21V 1/02;
F21V 15/01; F21Y 2115/10; F21S 8/02;
F21S 8/04; F21S 8/026; F21S 8/036;
F21S 8/085; F21S 8/086; F21S 9/03;
F21S 9/037

See application file for complete search history.

(56) **References Cited**

U.S. PATENT DOCUMENTS

D664,697 S * 7/2012 Piano D26/71
D688,404 S * 8/2013 Boissevain D26/71

D709,236 S * 7/2014 Ku D26/71
D817,533 S * 5/2018 Wan D26/71
D829,358 S * 9/2018 Zhuo D26/71
D839,464 S * 1/2019 Chen D26/71
D869,042 S * 12/2019 Zhou D26/71
D886,355 S * 6/2020 Chen D26/87
2012/0008329 A1 * 1/2012 Wang F21V 29/71
362/372
2014/0355259 A1 * 12/2014 Ku F21S 9/037
362/183
2016/0061428 A1 * 3/2016 Nimma F21V 23/0464
362/236

(Continued)

OTHER PUBLICATIONS

30 W integrated solar led street light with motion sensor (available online) Retrieved from the internet Sep. 4, 2020 from URL: https://zsyinghao.en.alibaba.com/product/62182536706-818016580/30_W_integrated_solar_led_street_light_with_motion_sensor.html?spm=a2700.i%E2%80%A6%201/12.*

Primary Examiner — Kevin K Rudzinski

Assistant Examiner — Richard Kearney

(74) *Attorney, Agent, or Firm* — Wayne & Ken, LLC;
Tony Hom

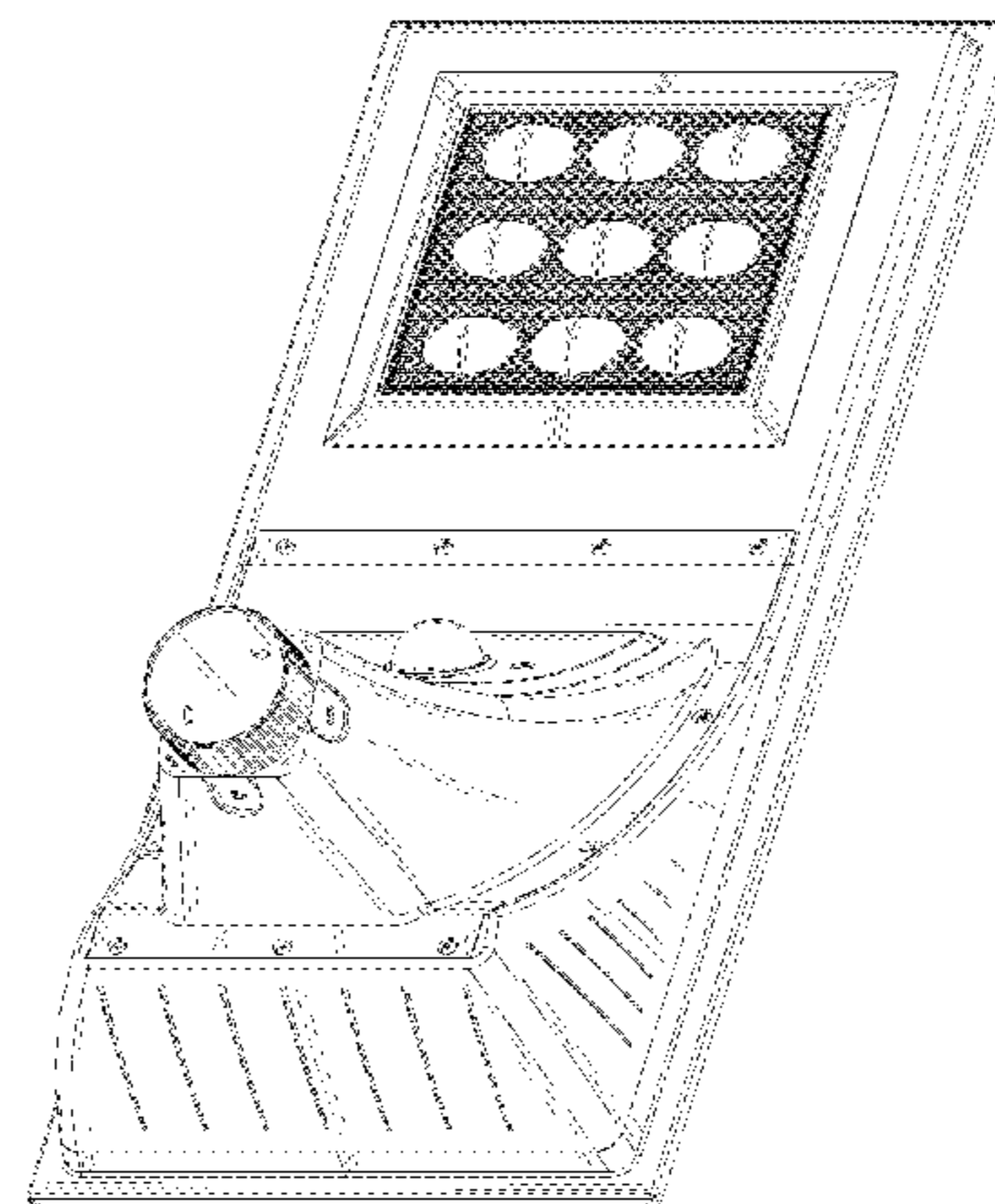
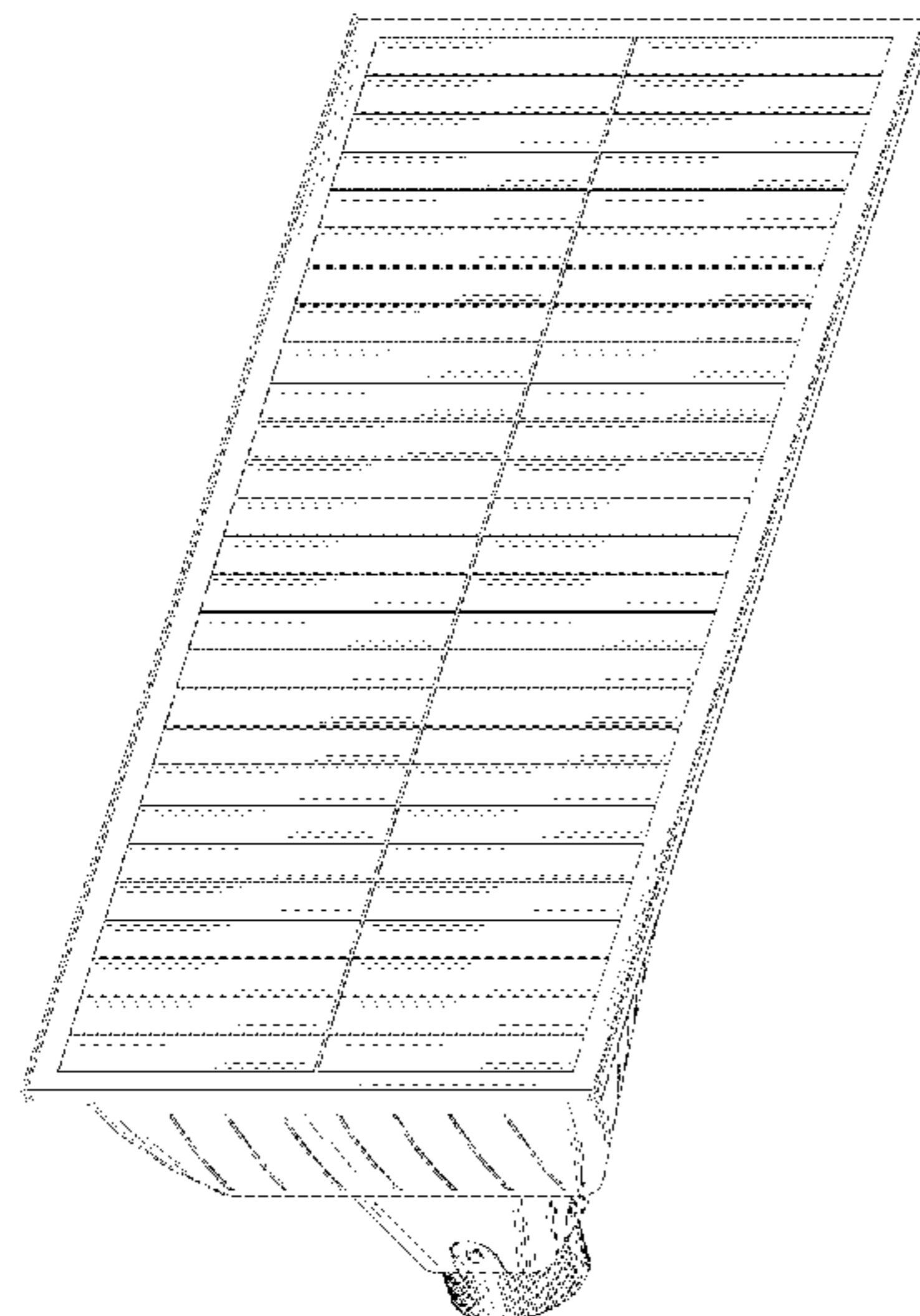
(57) **CLAIM**

The ornamental design for an integrated human induced street lamp, as shown and described.

DESCRIPTION

FIG. 1 is a perspective view of an integrated human induced street lamp showing my new design;
FIG. 2 is another perspective view thereof;
FIG. 3 is a front elevation view thereof;
FIG. 4 is a back elevation view thereof;
FIG. 5 is a left side view thereof;
FIG. 6 is a right side view thereof;
FIG. 7 is an enlarged top plan view thereof; and,
FIG. 8 is an enlarged bottom plan view thereof.

1 Claim, 8 Drawing Sheets



(56)

References Cited

U.S. PATENT DOCUMENTS

2017/0245350 A1* 8/2017 Pisani H05B 47/19
2019/0078741 A1* 3/2019 Zhou F21V 21/14

* cited by examiner

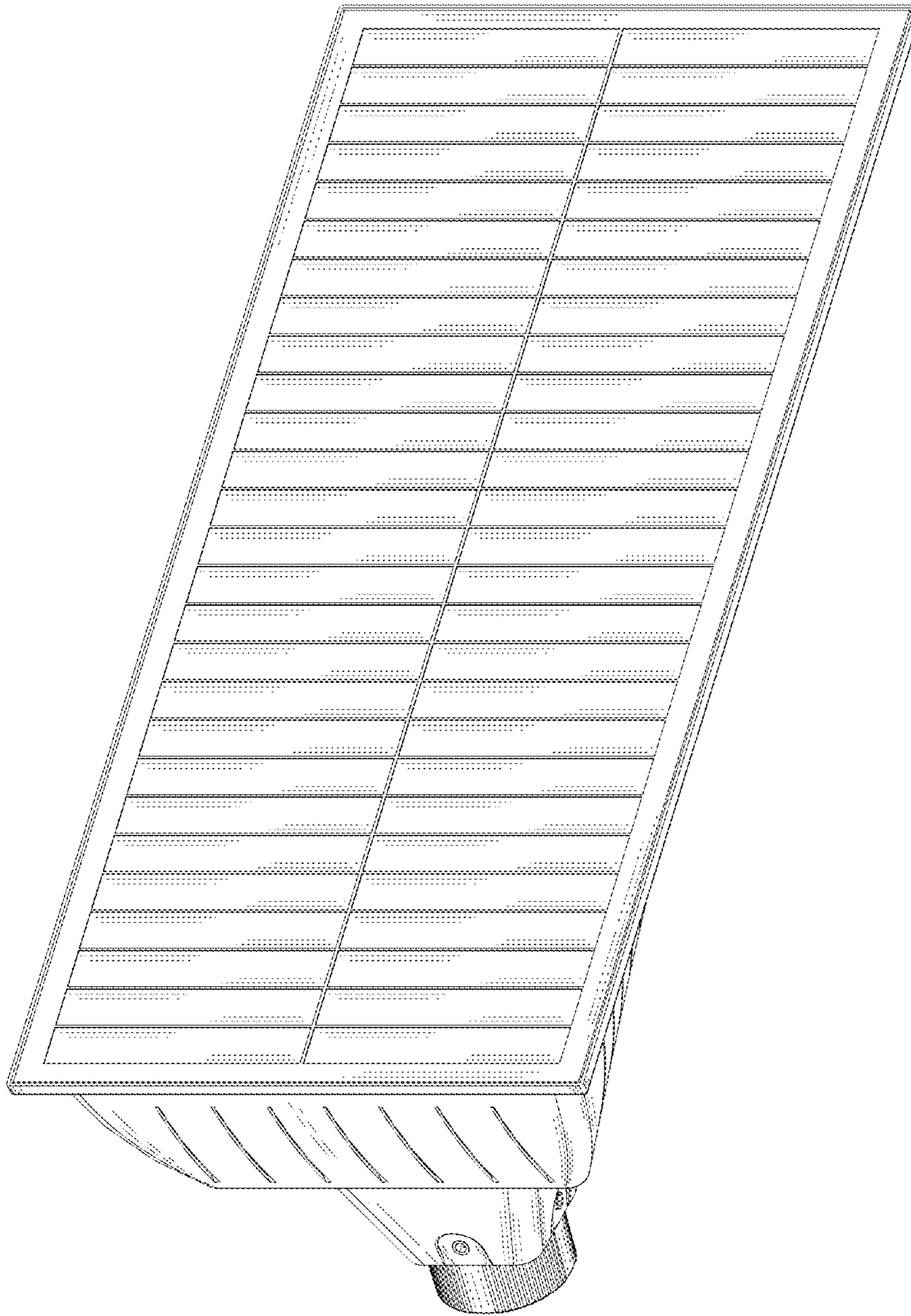


FIG. 1

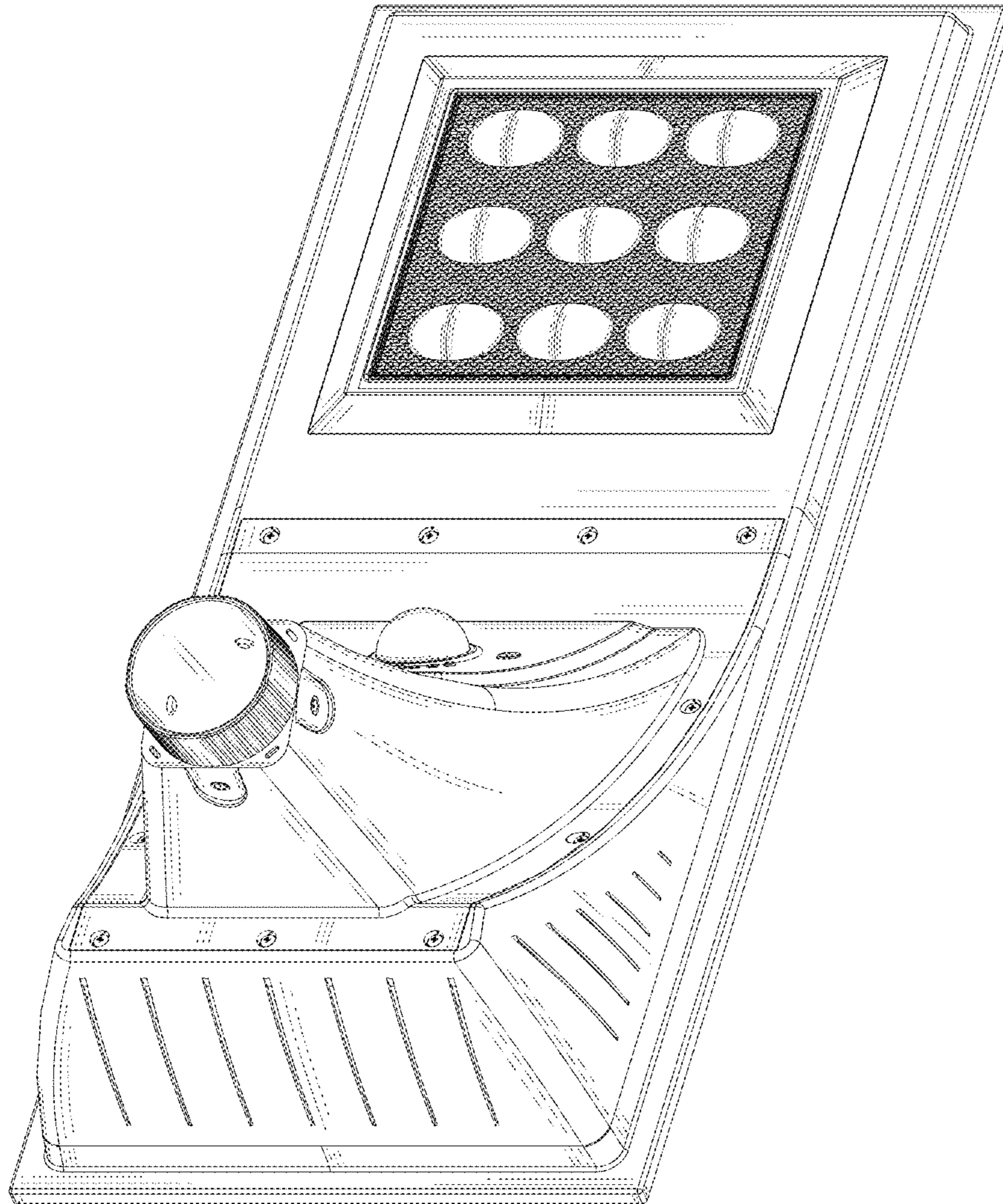


FIG. 2

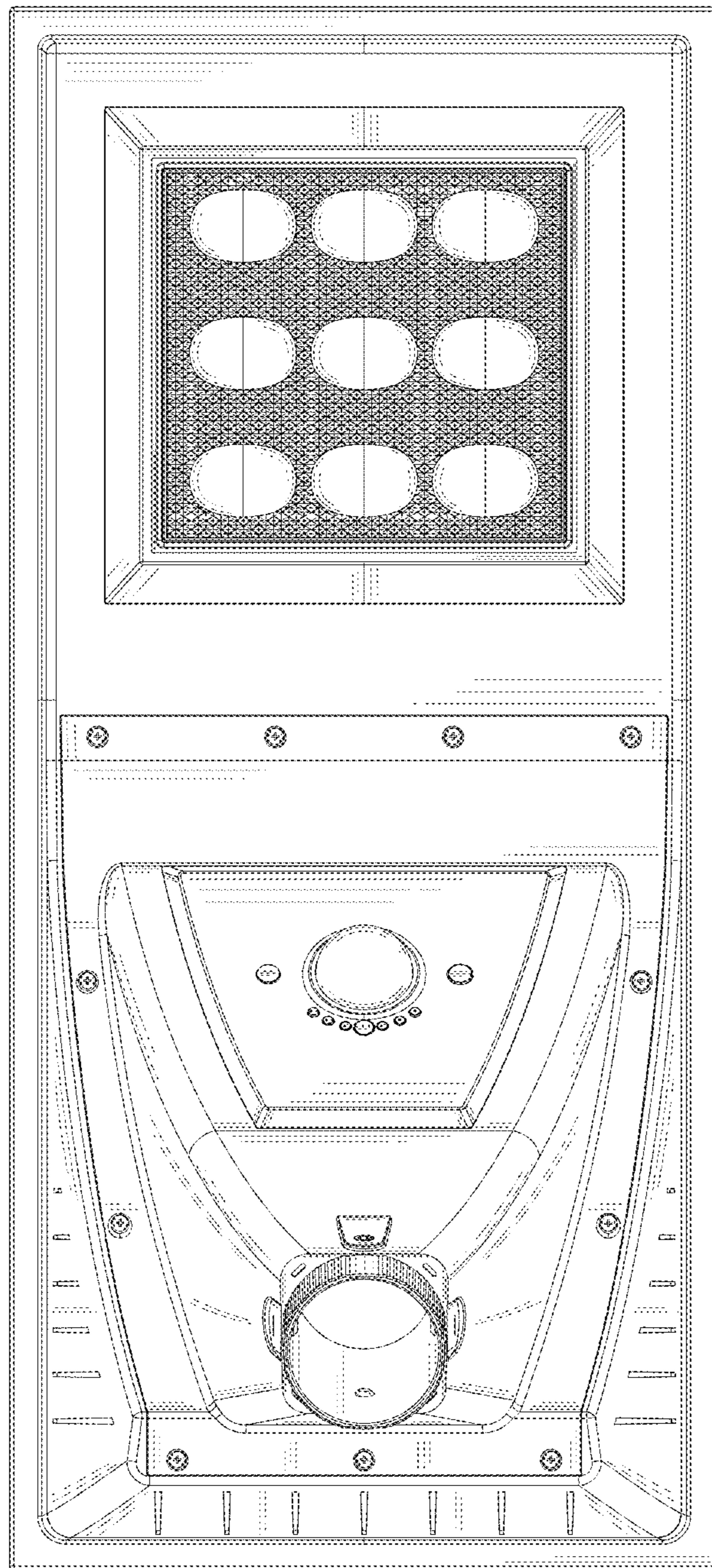


FIG. 3

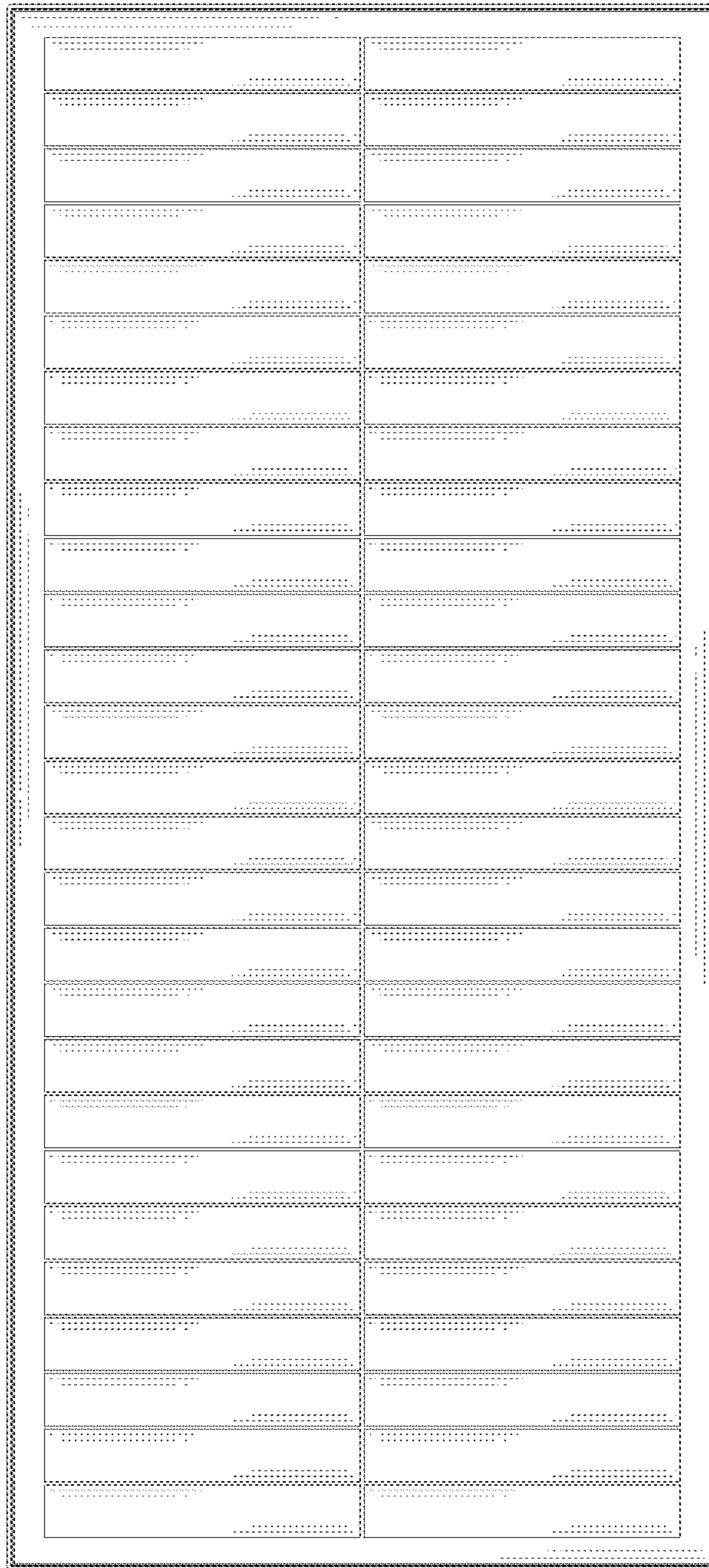


FIG. 4

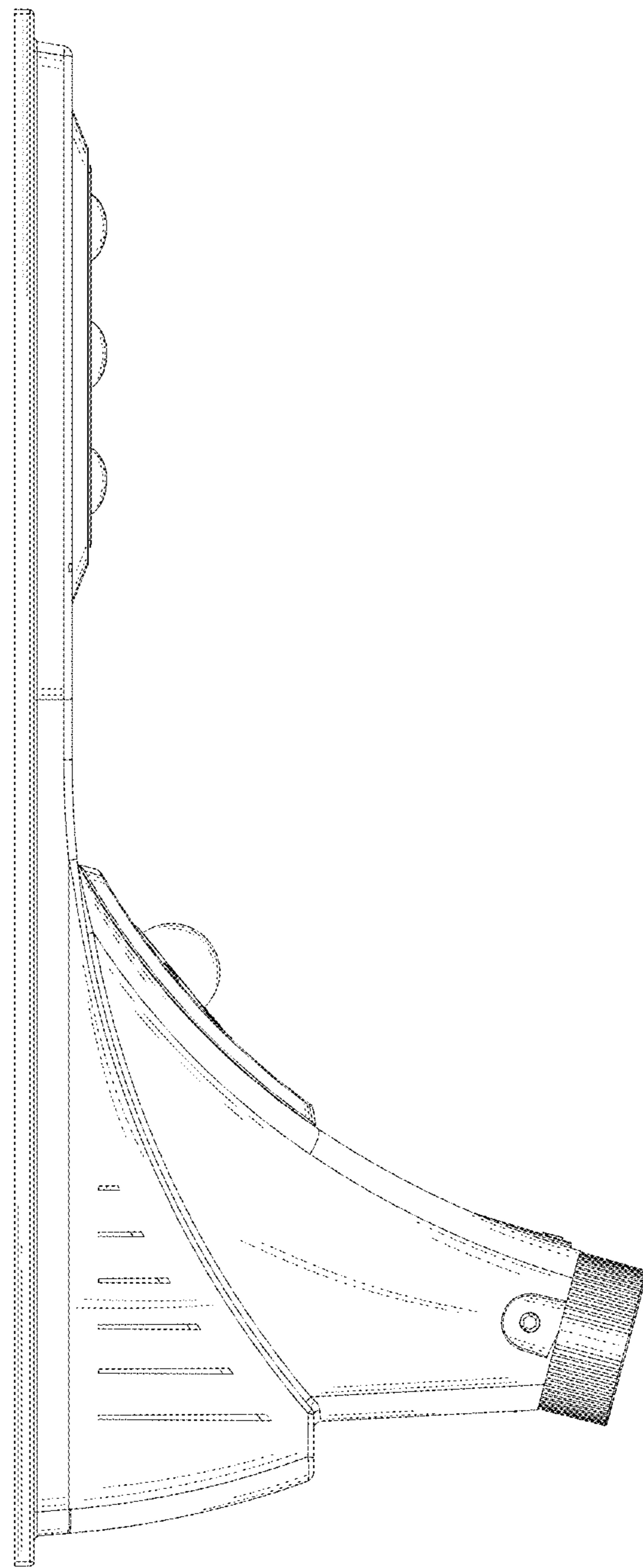


FIG. 5

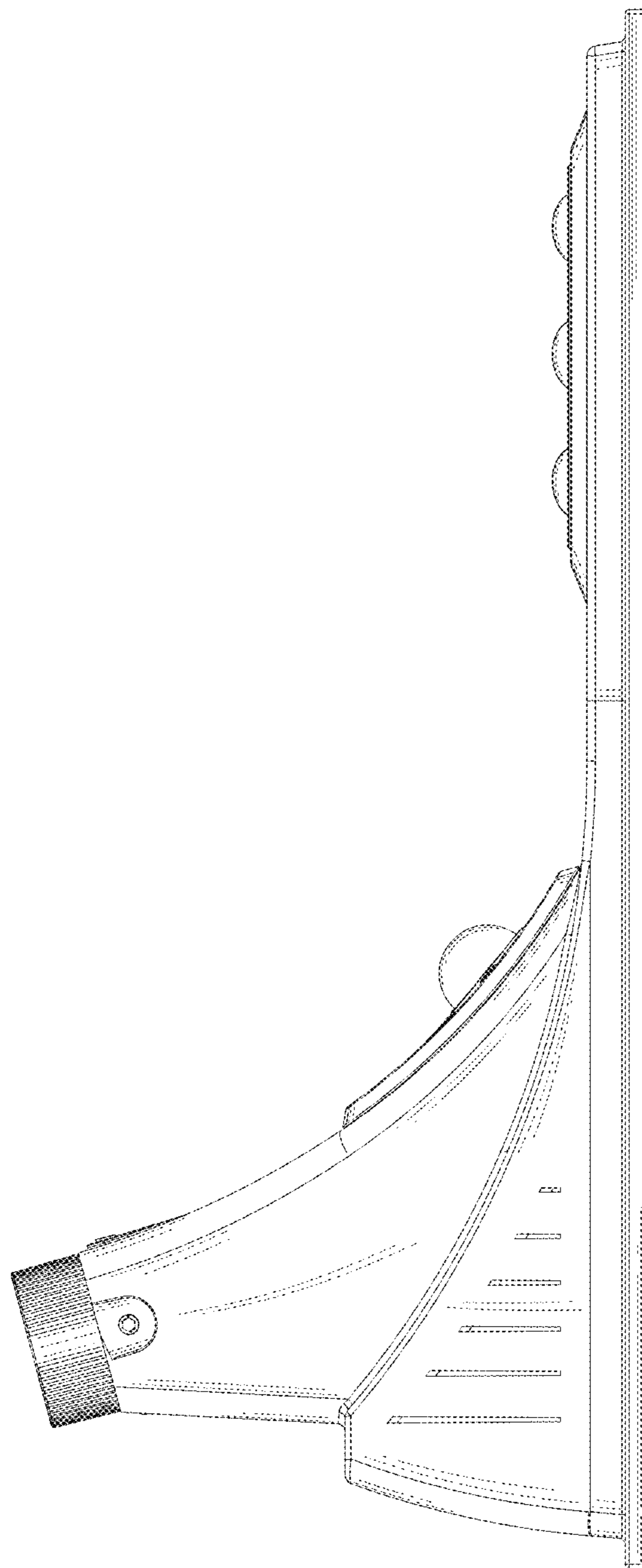


FIG. 6

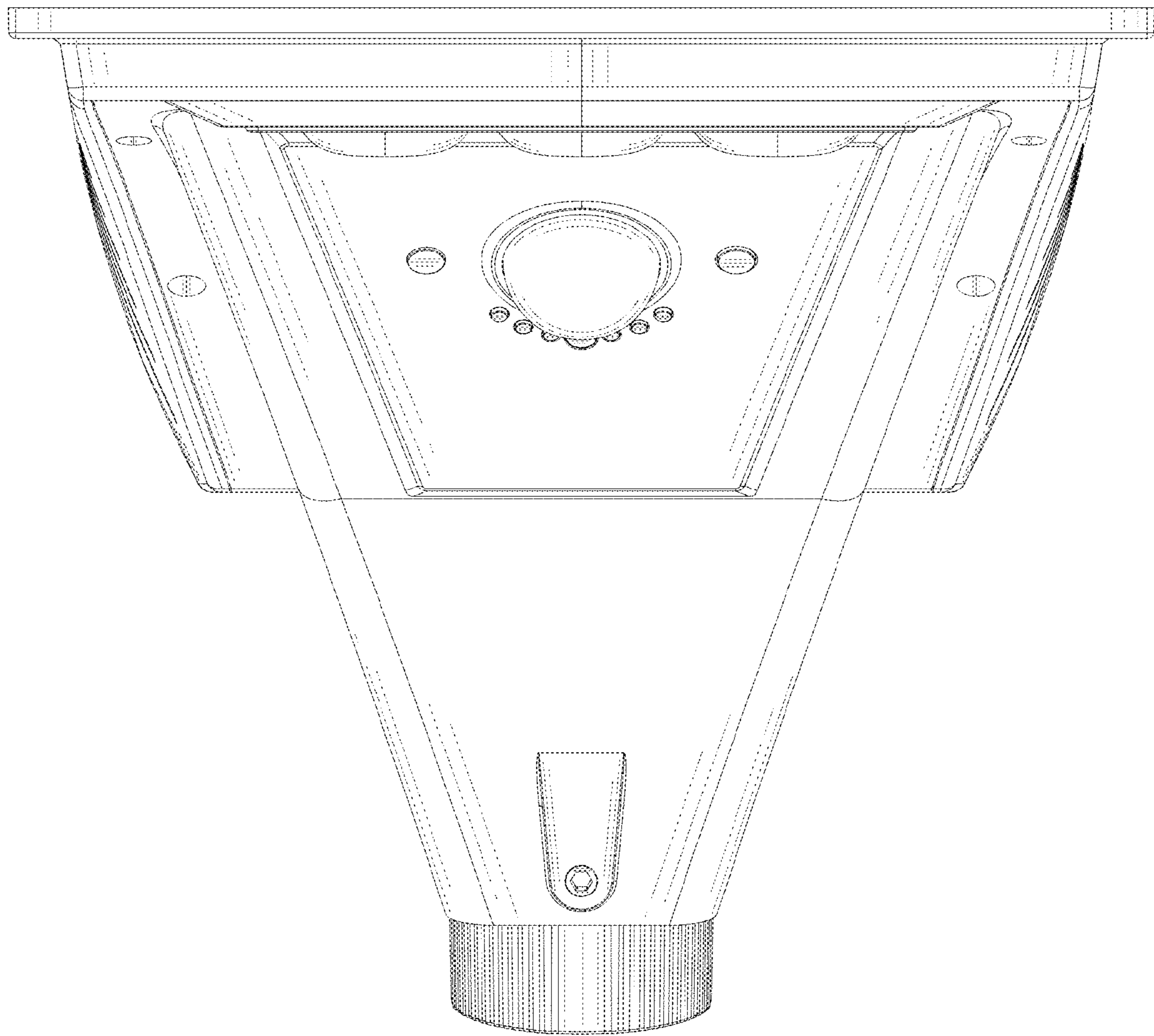


FIG. 7

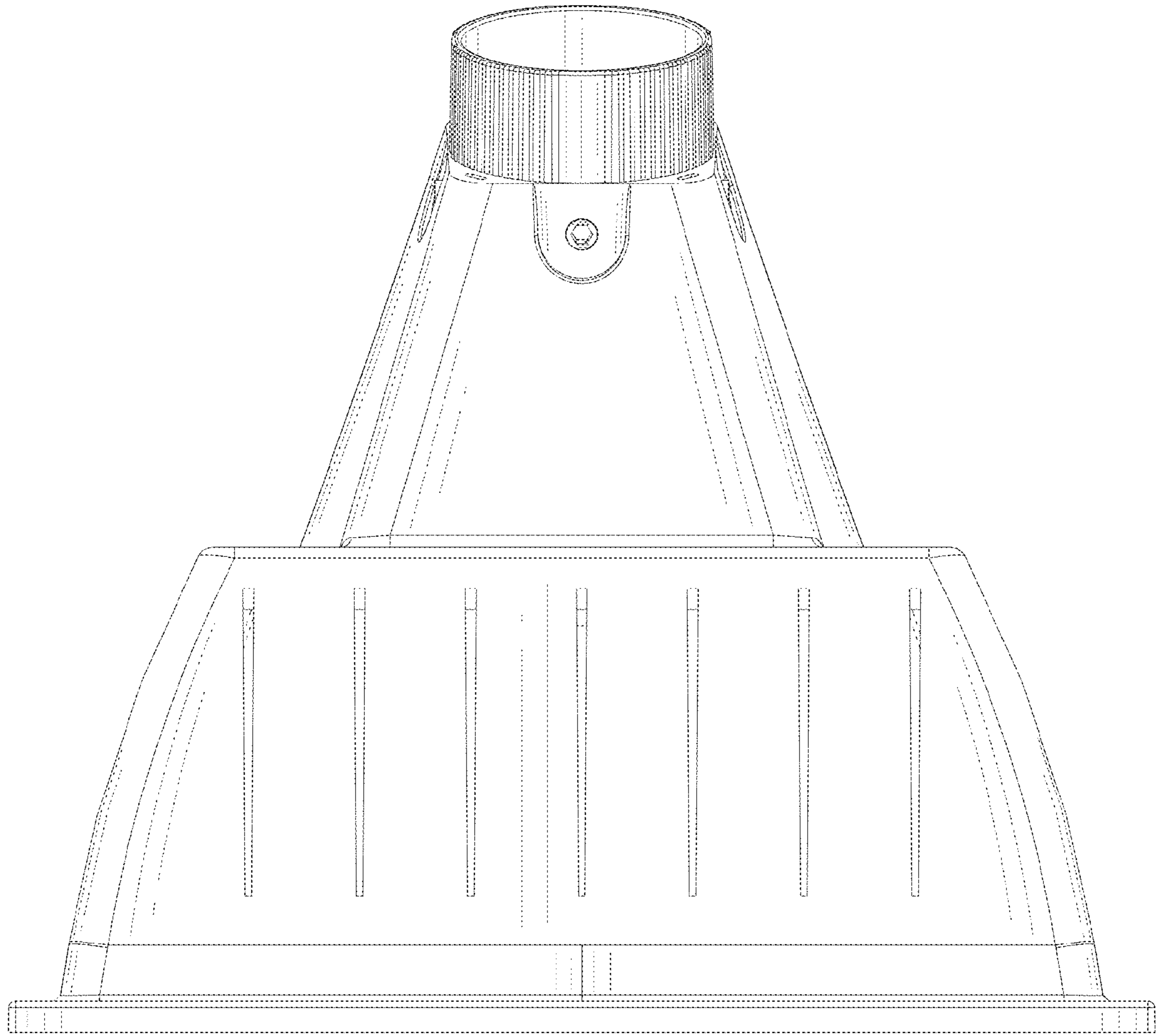


FIG. 8