



US00D909652S

(12) **United States Design Patent**
Wu

(10) **Patent No.:** **US D909,652 S**

(45) **Date of Patent:** **** Feb. 2, 2021**

(54) **SOLAR SPOT LIGHT**

D887,059 S * 6/2020 Liu D26/63
D903,920 S * 12/2020 Kang D26/63

(71) Applicant: **Xiaoling Wu**, Ningbo (CN)

* cited by examiner

(72) Inventor: **Xiaoling Wu**, Ningbo (CN)

Primary Examiner — Brian N. Vinson

(**) Term: **15 Years**

(74) *Attorney, Agent, or Firm* — HYIP

(21) Appl. No.: **29/718,398**

(57) **CLAIM**

(22) Filed: **Dec. 24, 2019**

The ornamental design for a solar spot light, as shown and described.

(51) **LOC (13) Cl.** **26-03**

DESCRIPTION

(52) **U.S. Cl.**
USPC **D26/63**

(58) **Field of Classification Search**
USPC D26/24, 60–71, 85, 92, 113, 118, 119
CPC F21V 21/14; F21V 15/01; F21V 14/02;
F21V 21/30; F21V 14/00; F21Y
2105/001; F21S 8/00

FIG. 1 is a perspective view of a solar spot light showing my new design;
FIG. 2 is a front view thereof;
FIG. 3 is a back view thereof;
FIG. 4 is a left side view thereof;
FIG. 5 is a right side view thereof;
FIG. 6 is a top view thereof; and,
FIG. 7 is a bottom view thereof.

See application file for complete search history.

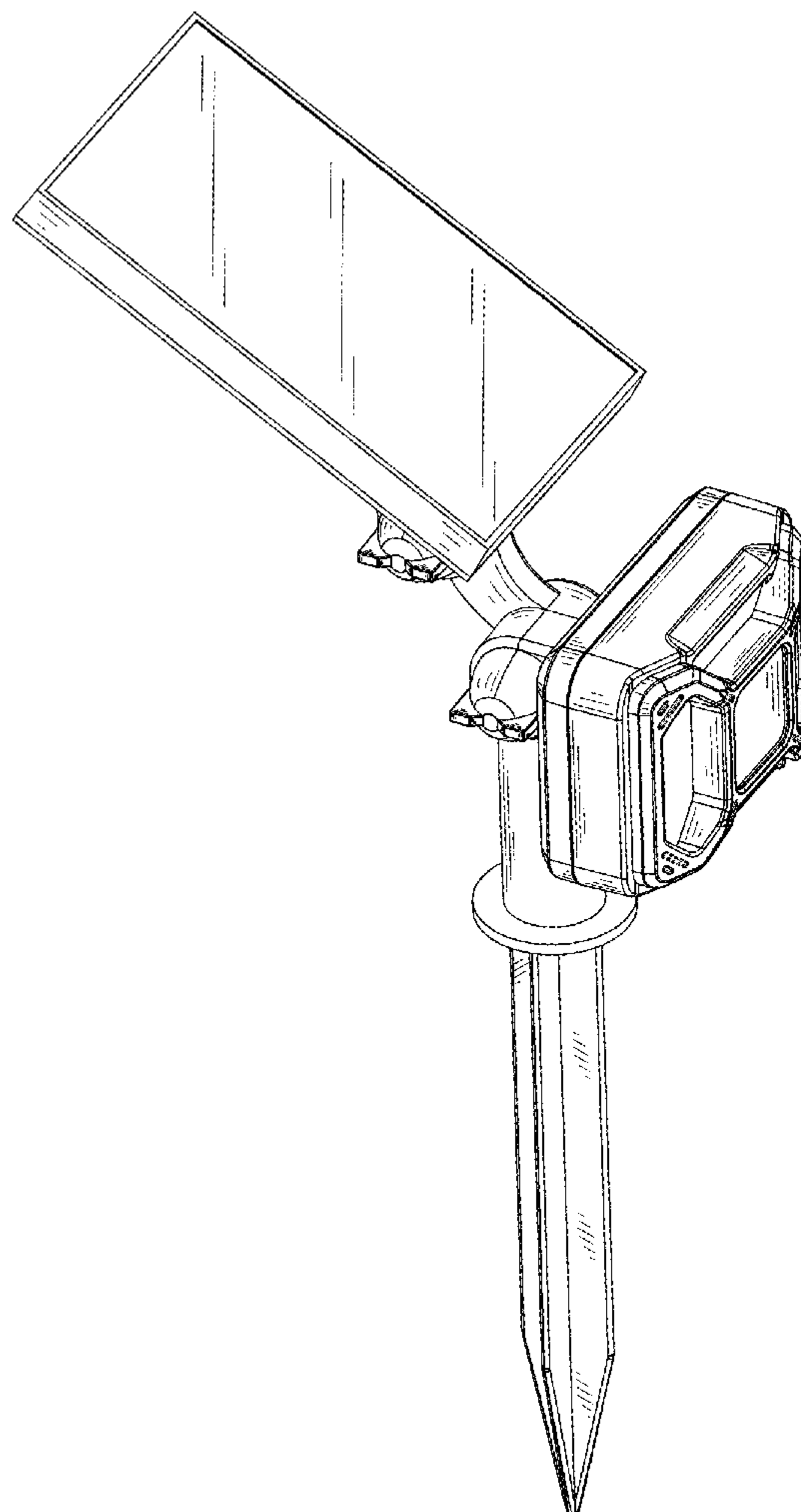
The broken lines shown in the drawings depict portions of the solar spot light in which the design is embodied that form no part of the claimed design.

(56) **References Cited**

U.S. PATENT DOCUMENTS

D883,547 S * 5/2020 Li D26/63

1 Claim, 7 Drawing Sheets



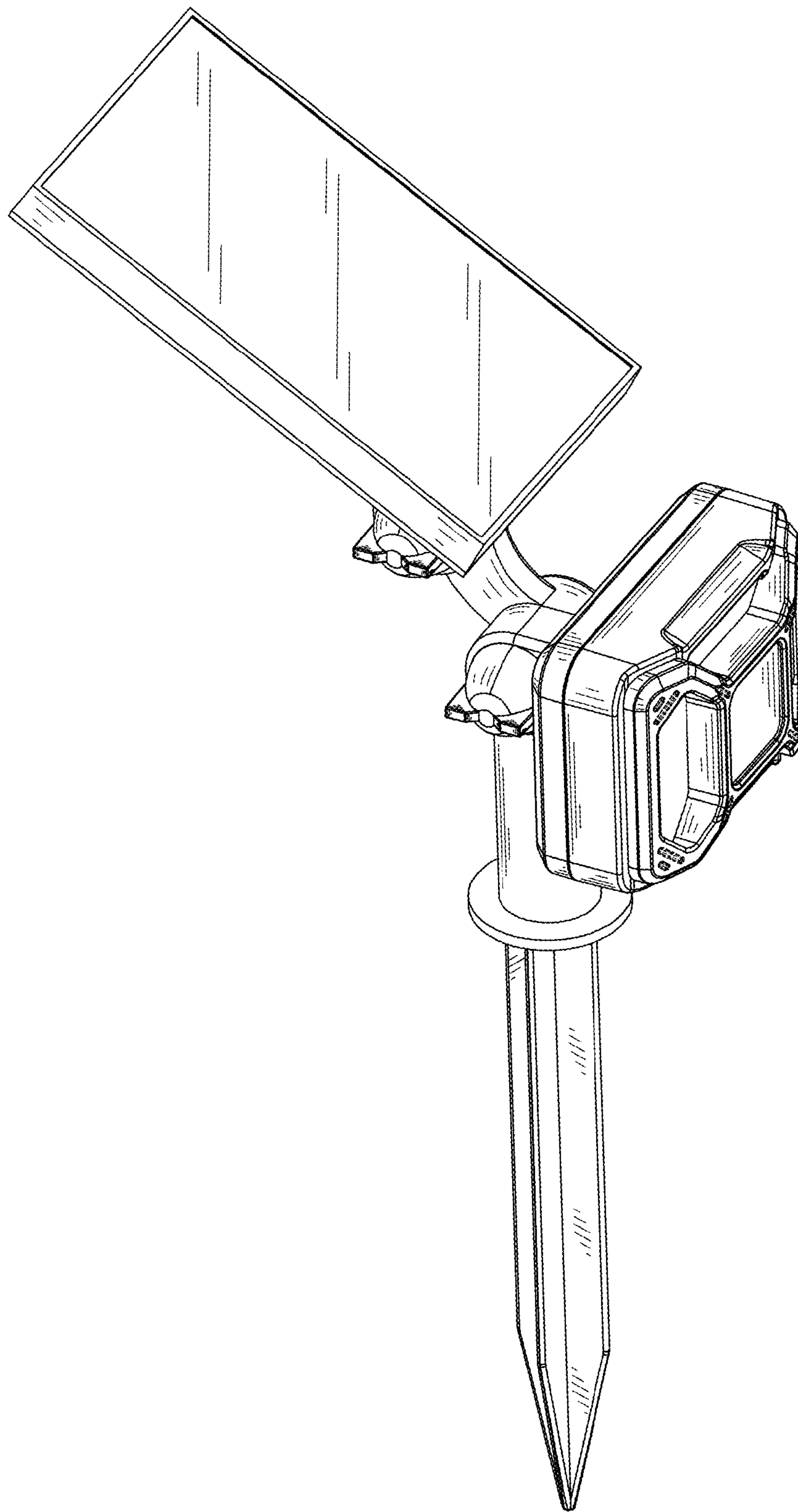


FIG. 1

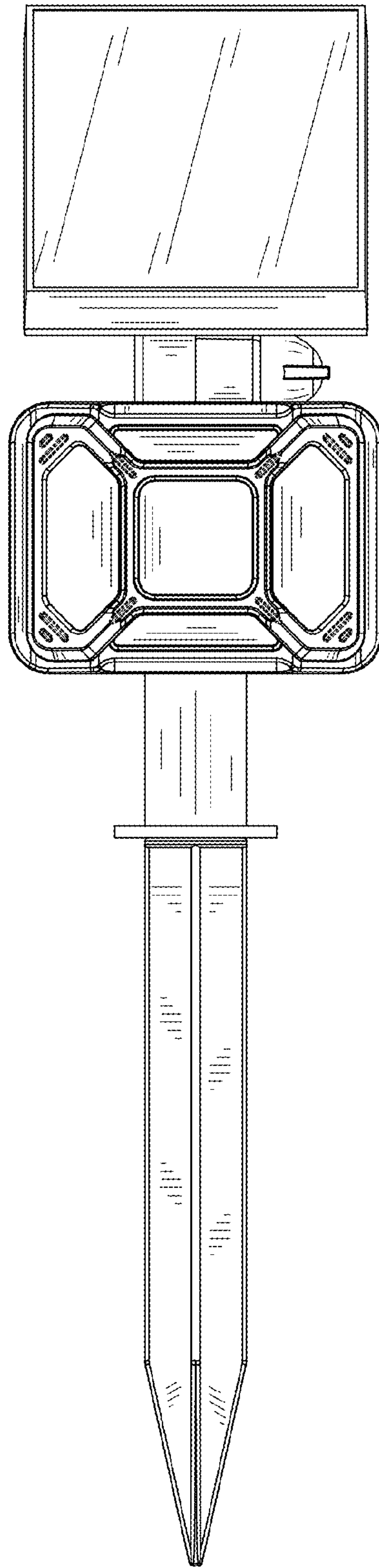


FIG. 2

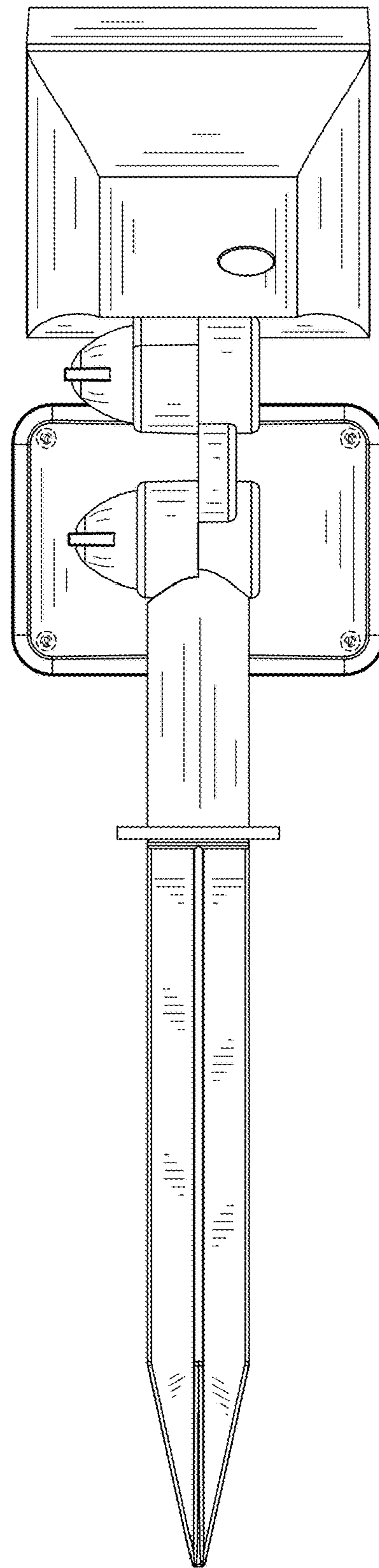


FIG. 3

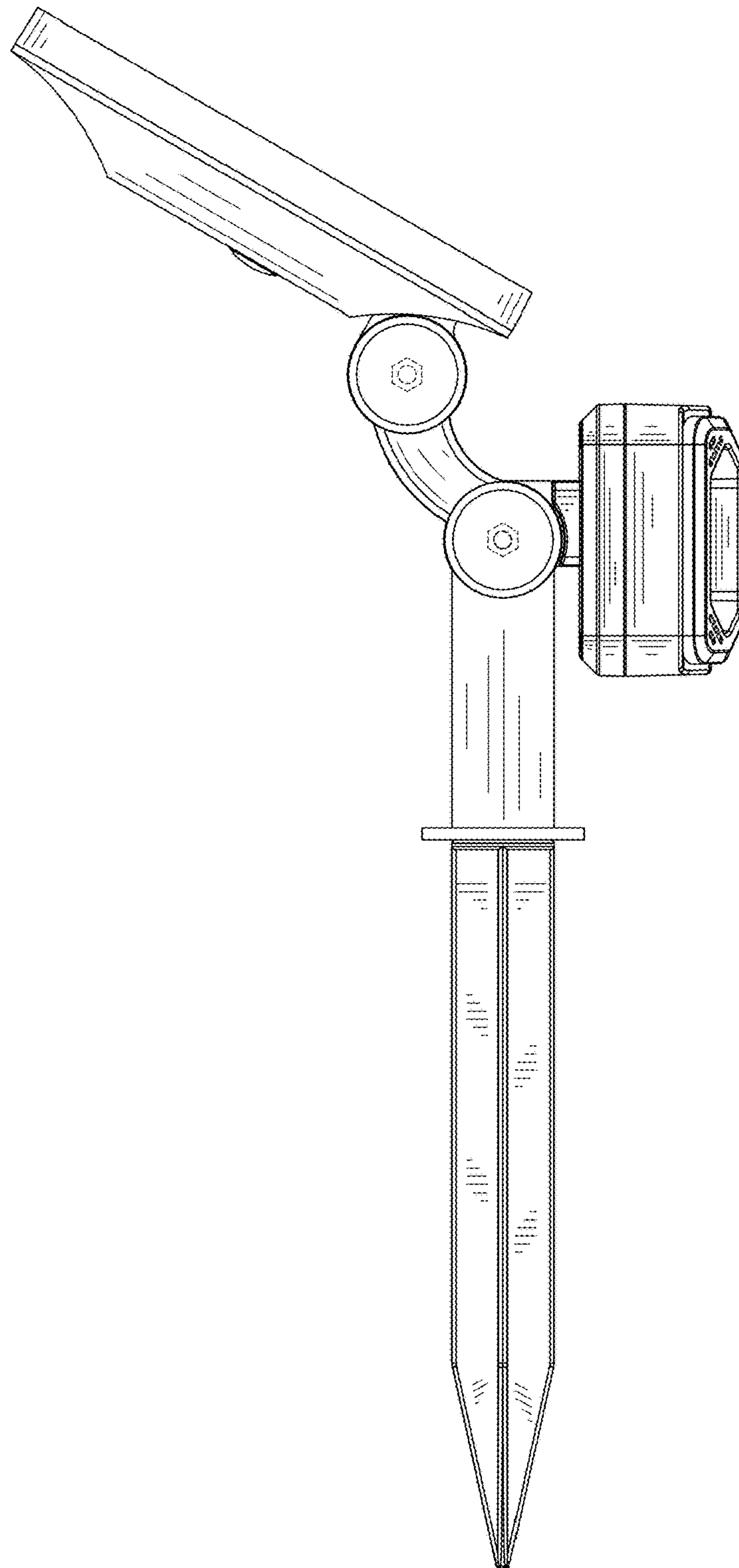


FIG. 4

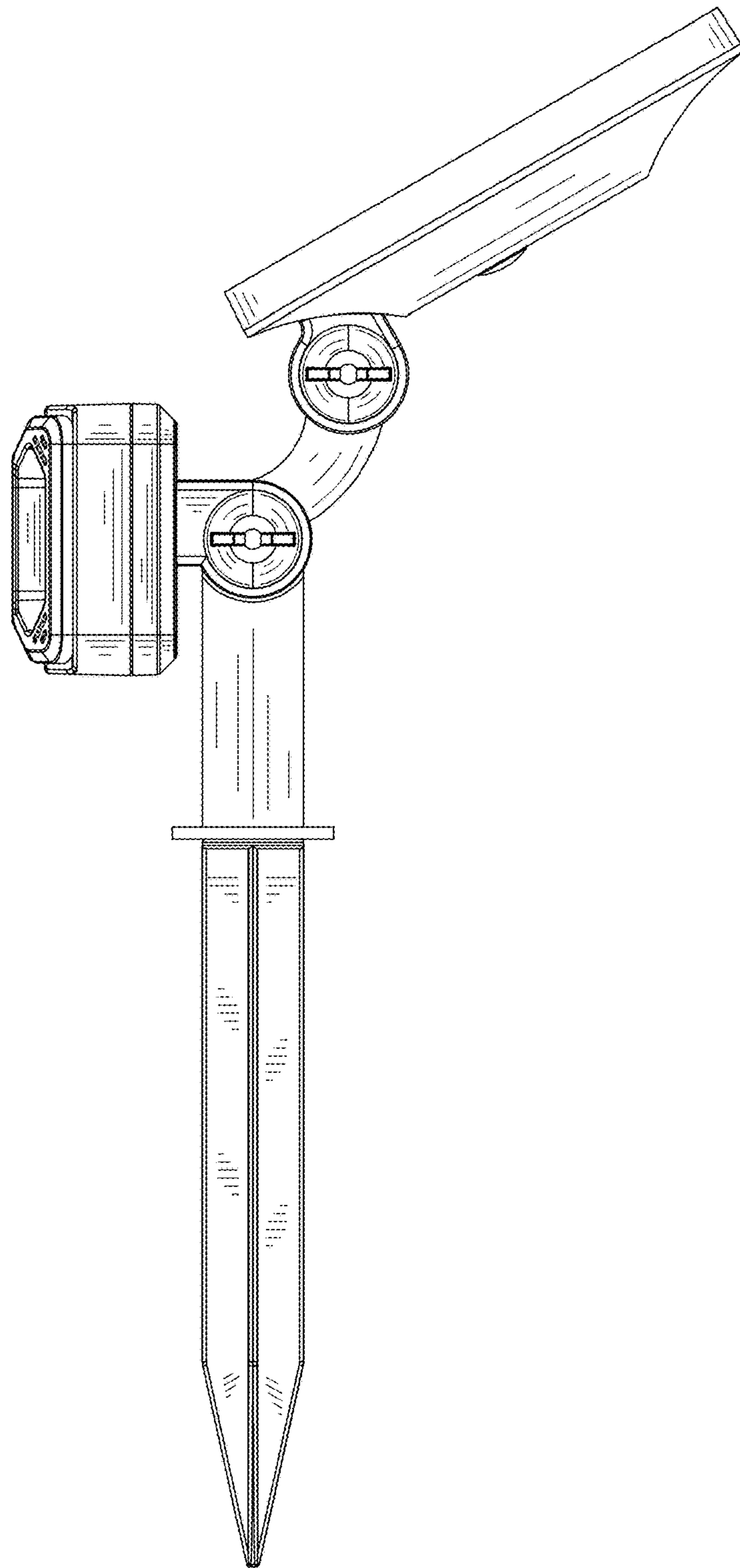


FIG. 5

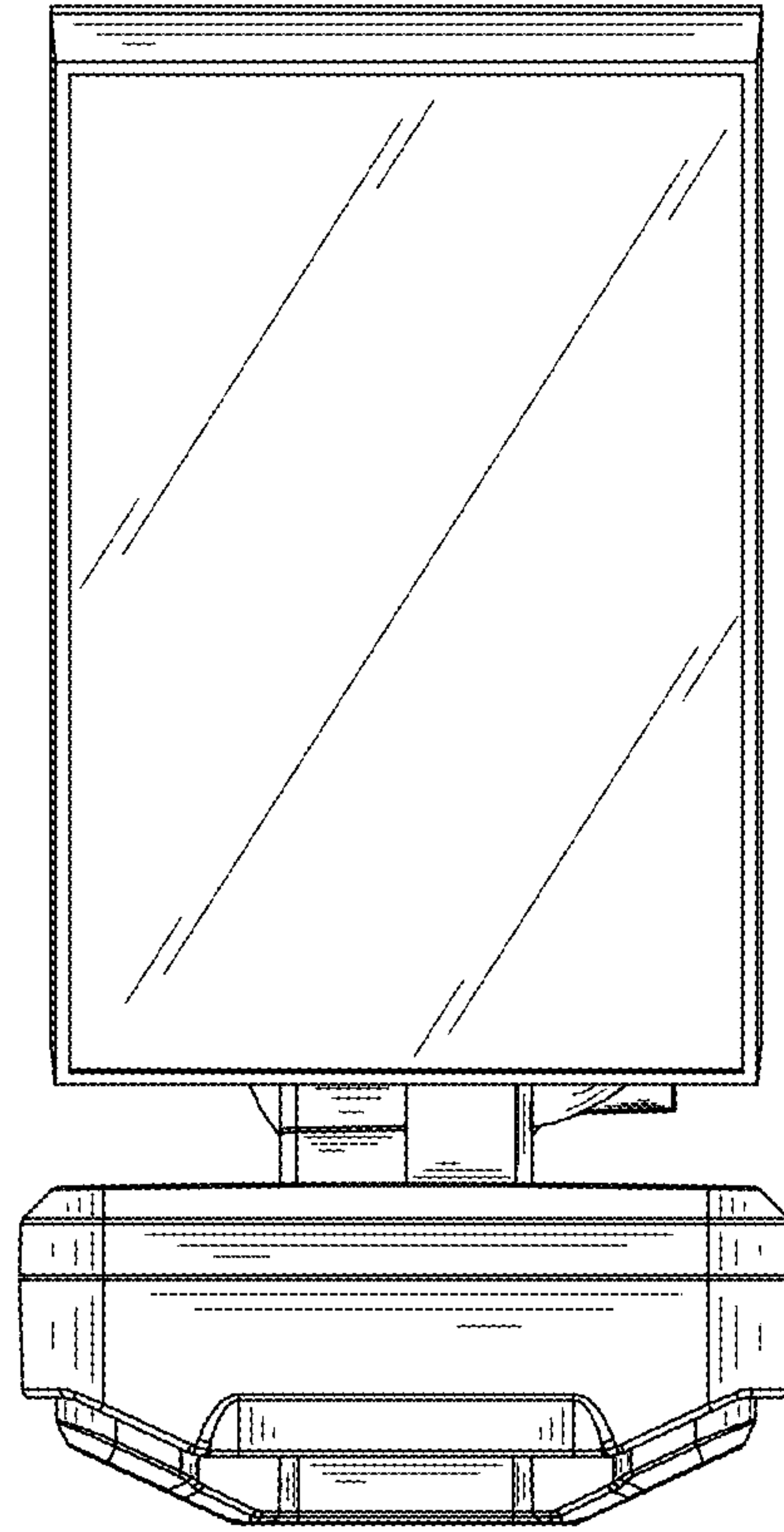


FIG. 6

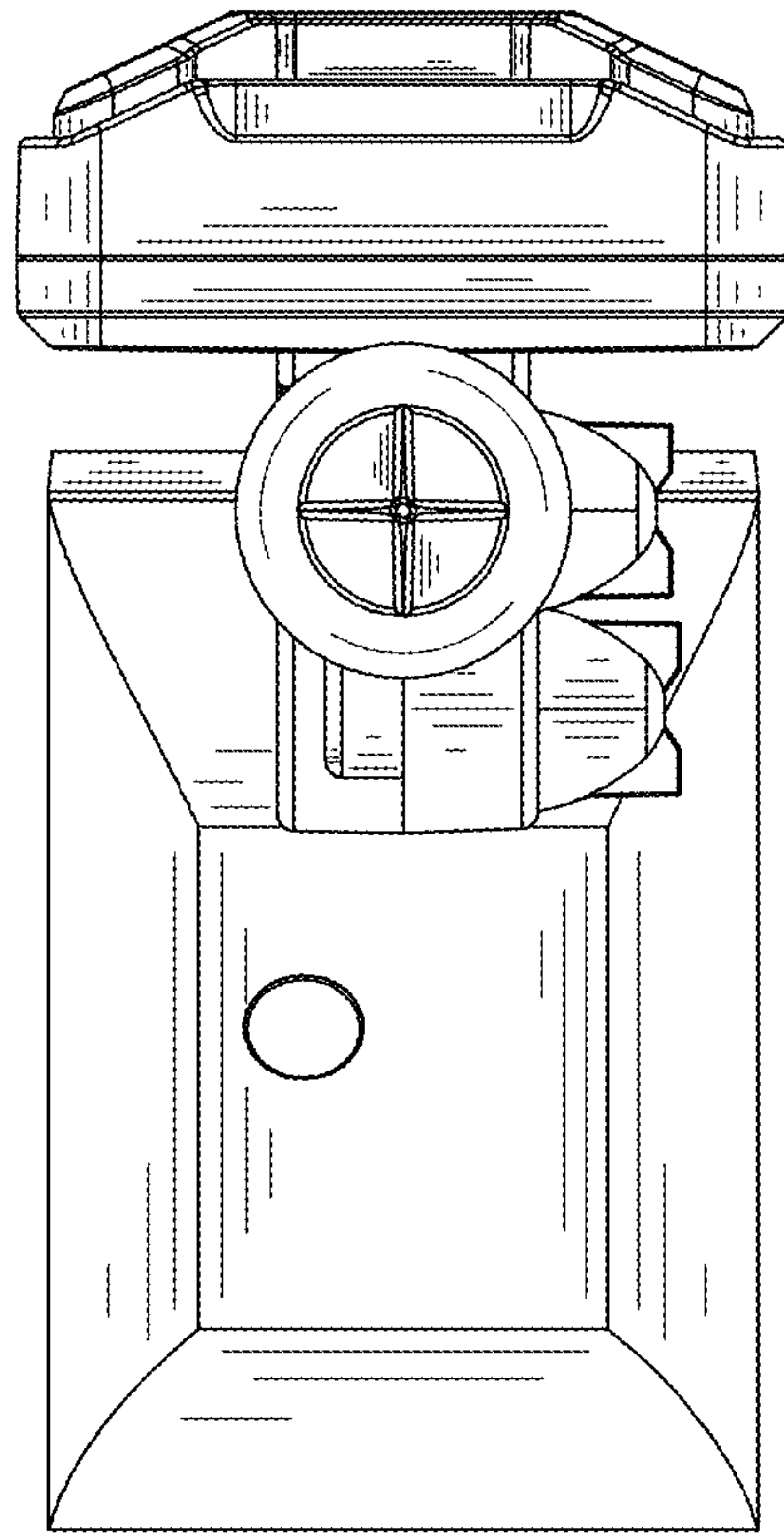


FIG. 7