



US00D909651S

(12) **United States Design Patent** (10) **Patent No.:** **US D909,651 S**
Tan (45) **Date of Patent:** **** Feb. 2, 2021**

(54) **STAGE LIGHT**

(71) Applicant: **Kehua Tan**, Hunan (CN)

(72) Inventor: **Kehua Tan**, Hunan (CN)

(**) Term: **15 Years**

(21) Appl. No.: **29/707,509**

(22) Filed: **Sep. 28, 2019**

(51) **LOC (13) Cl.** **26-03**

(52) **U.S. Cl.**
USPC **D26/63**

(58) **Field of Classification Search**
USPC D26/61, 63, 65
CPC F21V 21/14; F21V 21/00; F21V 14/00;
F21V 15/01; F21V 14/02; F21V 21/30;
F21S 8/003; F21Y 2105/001
See application file for complete search history.

(56) **References Cited**

U.S. PATENT DOCUMENTS

7,914,162 B1 * 3/2011 Huang F21S 45/60
362/92
7,988,346 B2 * 8/2011 Helms F21V 29/89
362/545

D689,232 S * 9/2013 Velazquez F21V 23/009
D26/63
D694,928 S * 12/2013 Chen D26/63
D730,555 S * 5/2015 Gebhard D26/72
D844,207 S * 3/2019 Zhang D26/63
D854,212 S * 7/2019 Yuan D26/63
D880,036 S * 3/2020 Qiu D26/63
D899,655 S * 10/2020 Zhang D26/63
D899,657 S * 10/2020 You D26/63

* cited by examiner

Primary Examiner — Brian N. Vinson

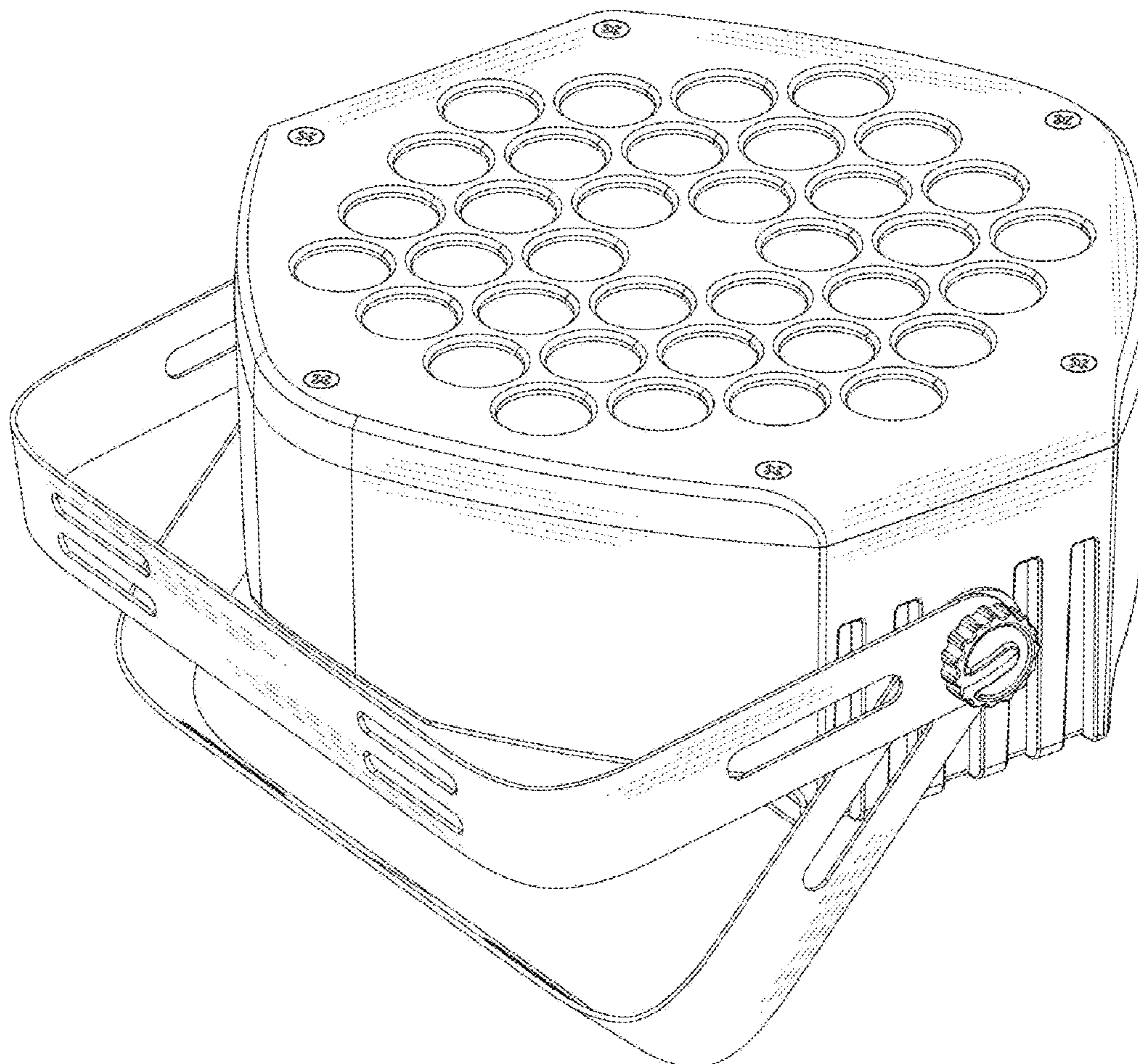
(57) **CLAIM**

The ornamental design for a stage light, as shown and described.

DESCRIPTION

FIG. 1 is a perspective view of a stage light showing my new design;
FIG. 2 is a front elevational view thereof;
FIG. 3 is a rear elevational view thereof;
FIG. 4 is a left side elevational view thereof;
FIG. 5 is a right side elevational view thereof;
FIG. 6 is a top plan view thereof;
FIG. 7 is a bottom plan view thereof; and,
FIG. 8 is another perspective view thereof.

1 Claim, 8 Drawing Sheets



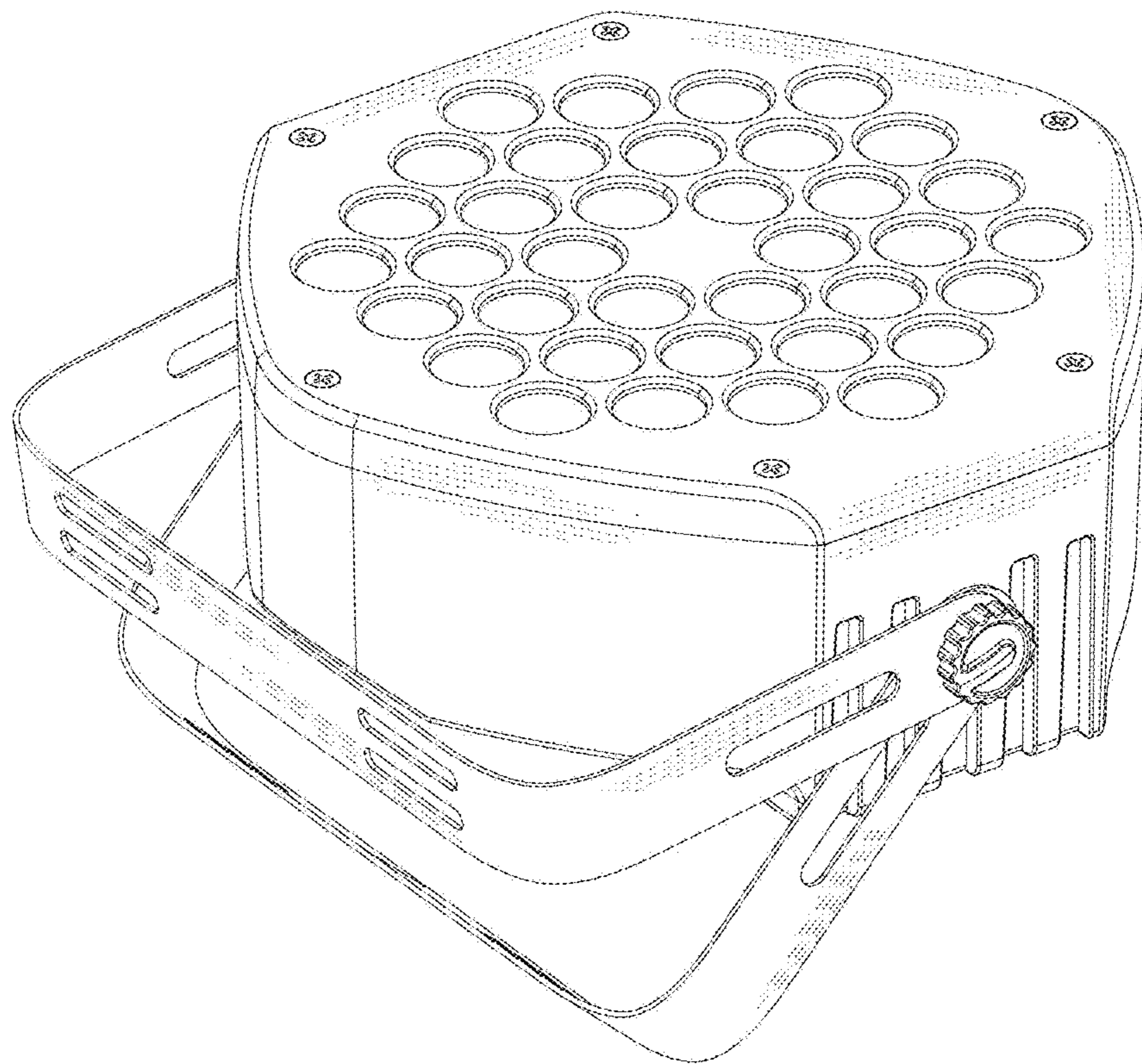


FIG. 1

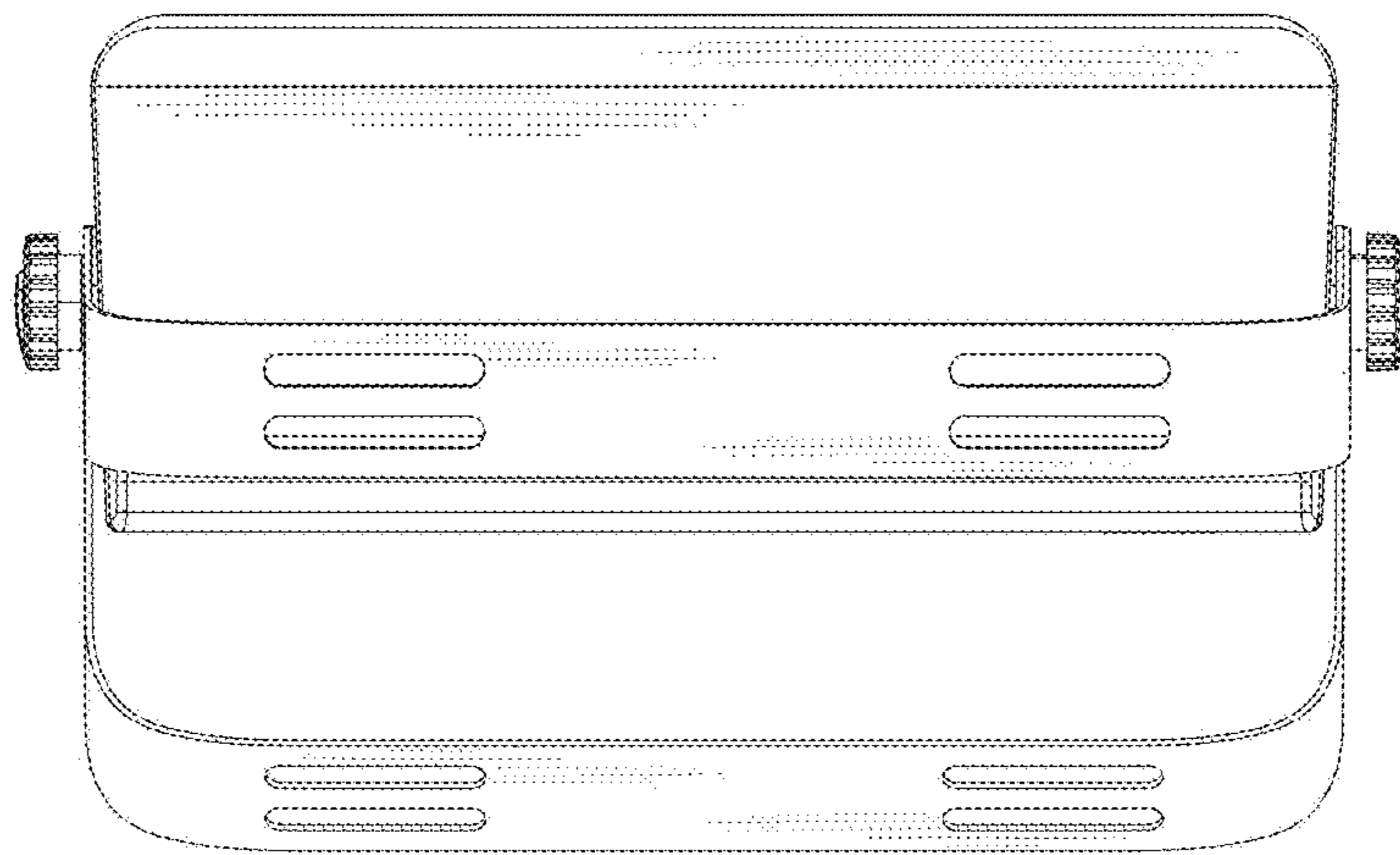


FIG. 2

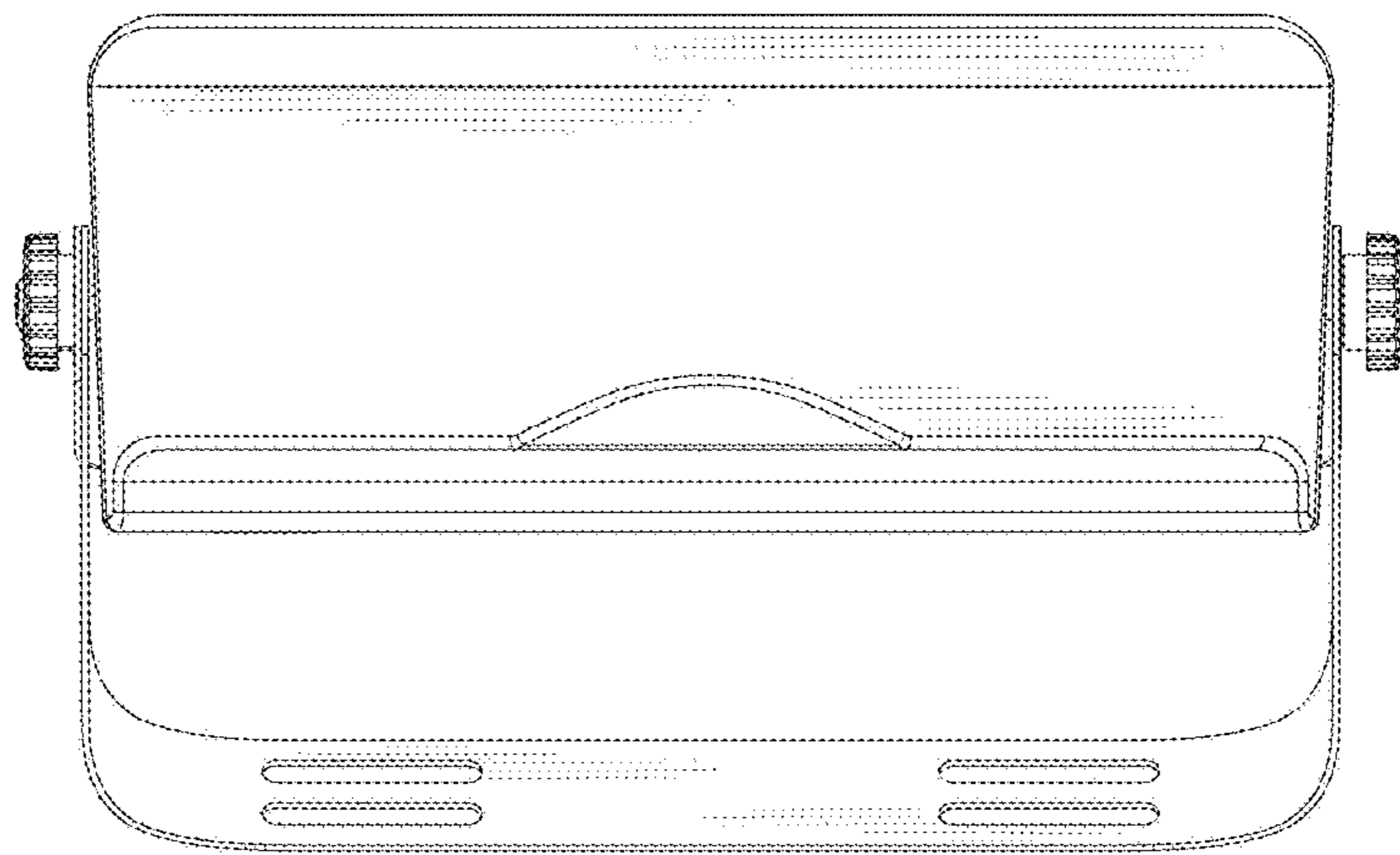


FIG. 3

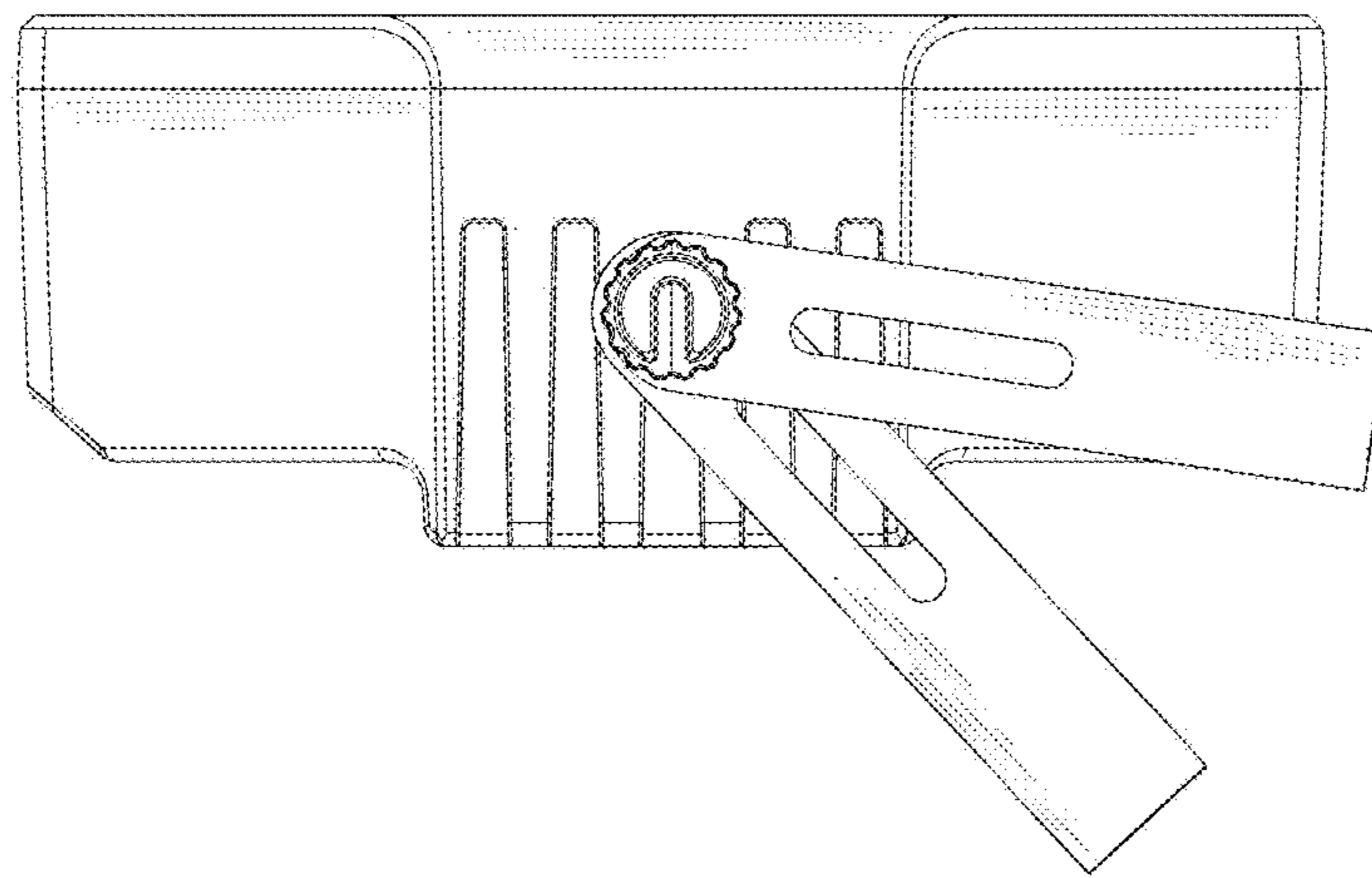


FIG. 4

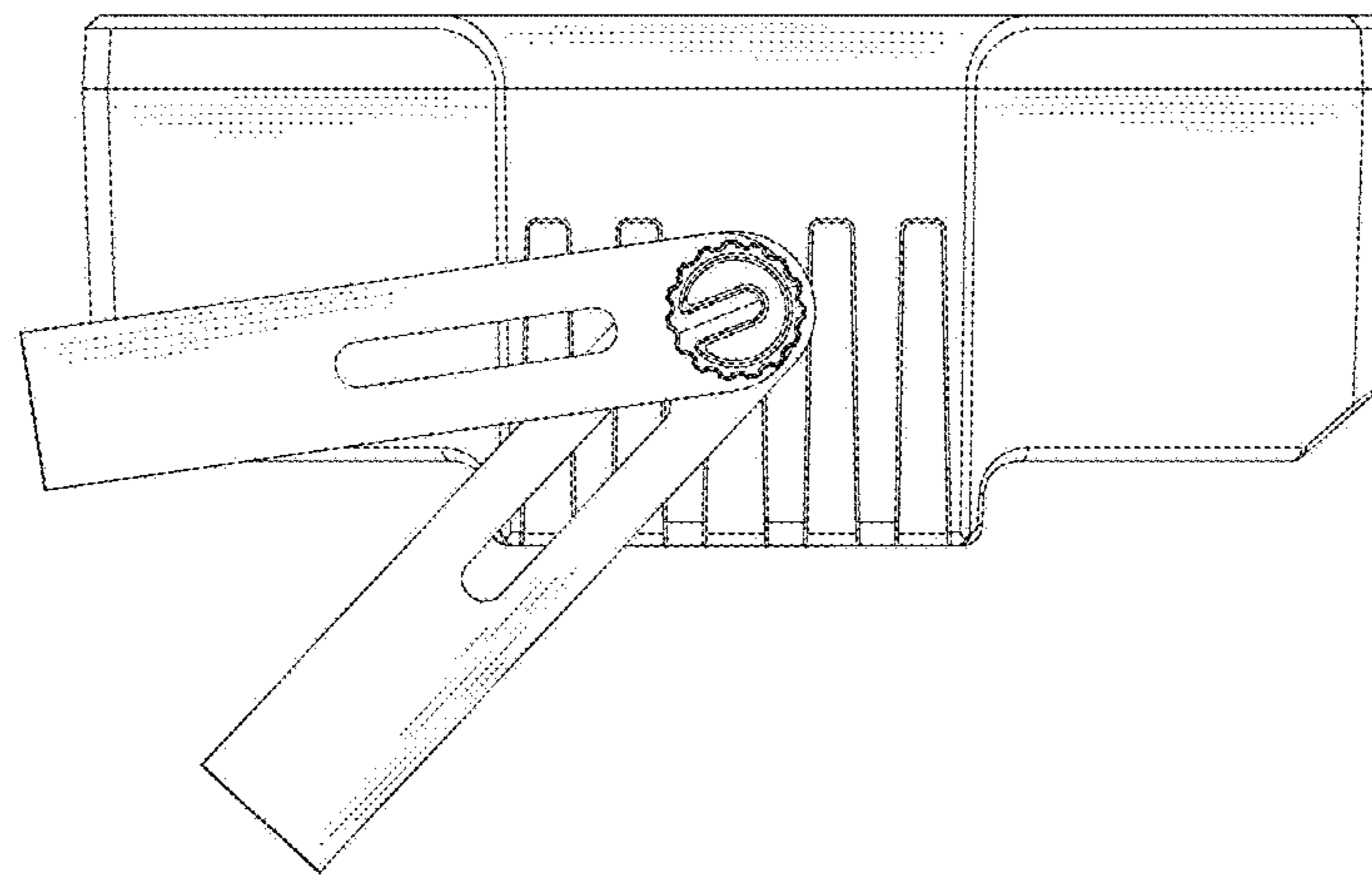


FIG. 5

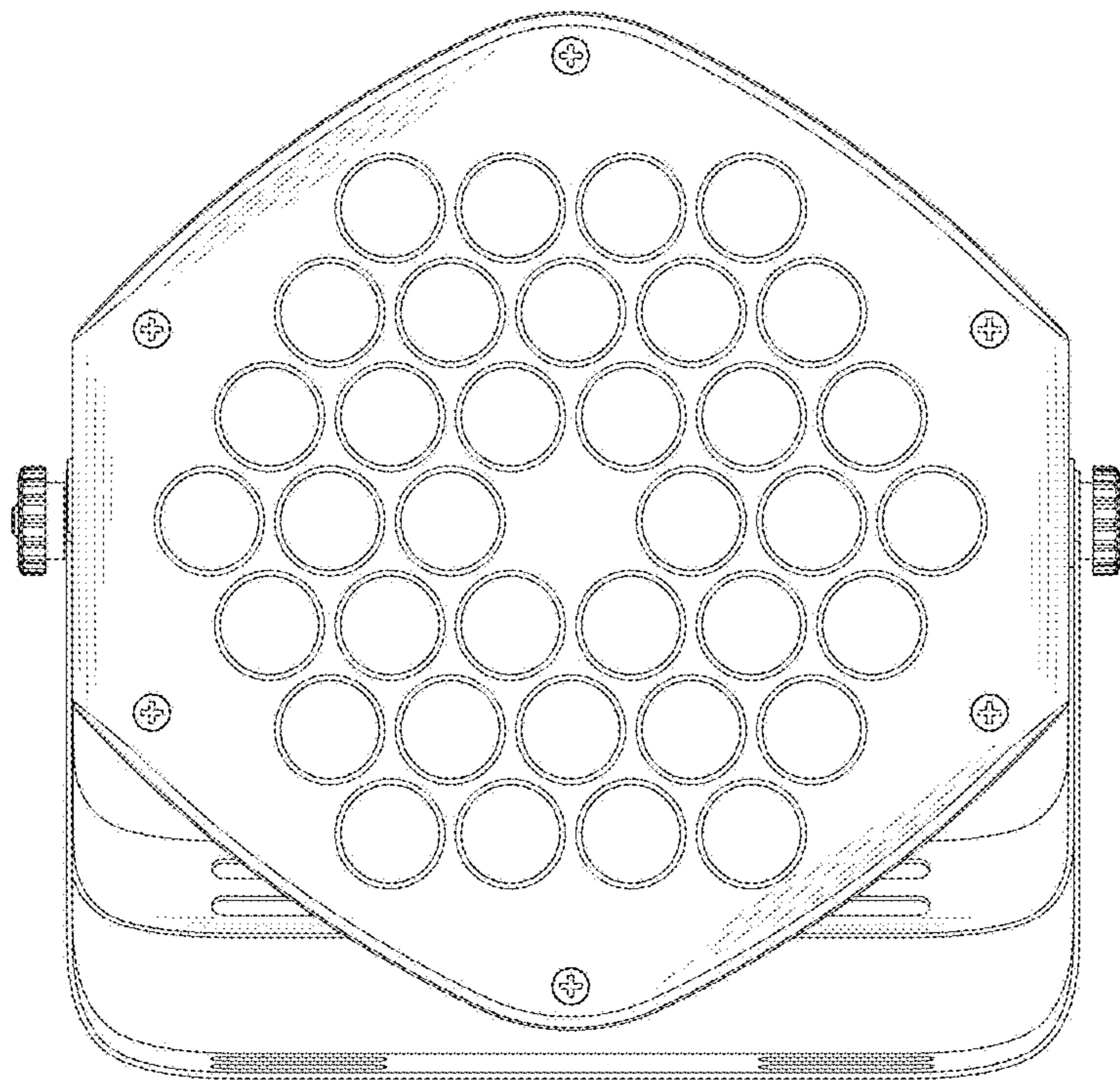


FIG. 6

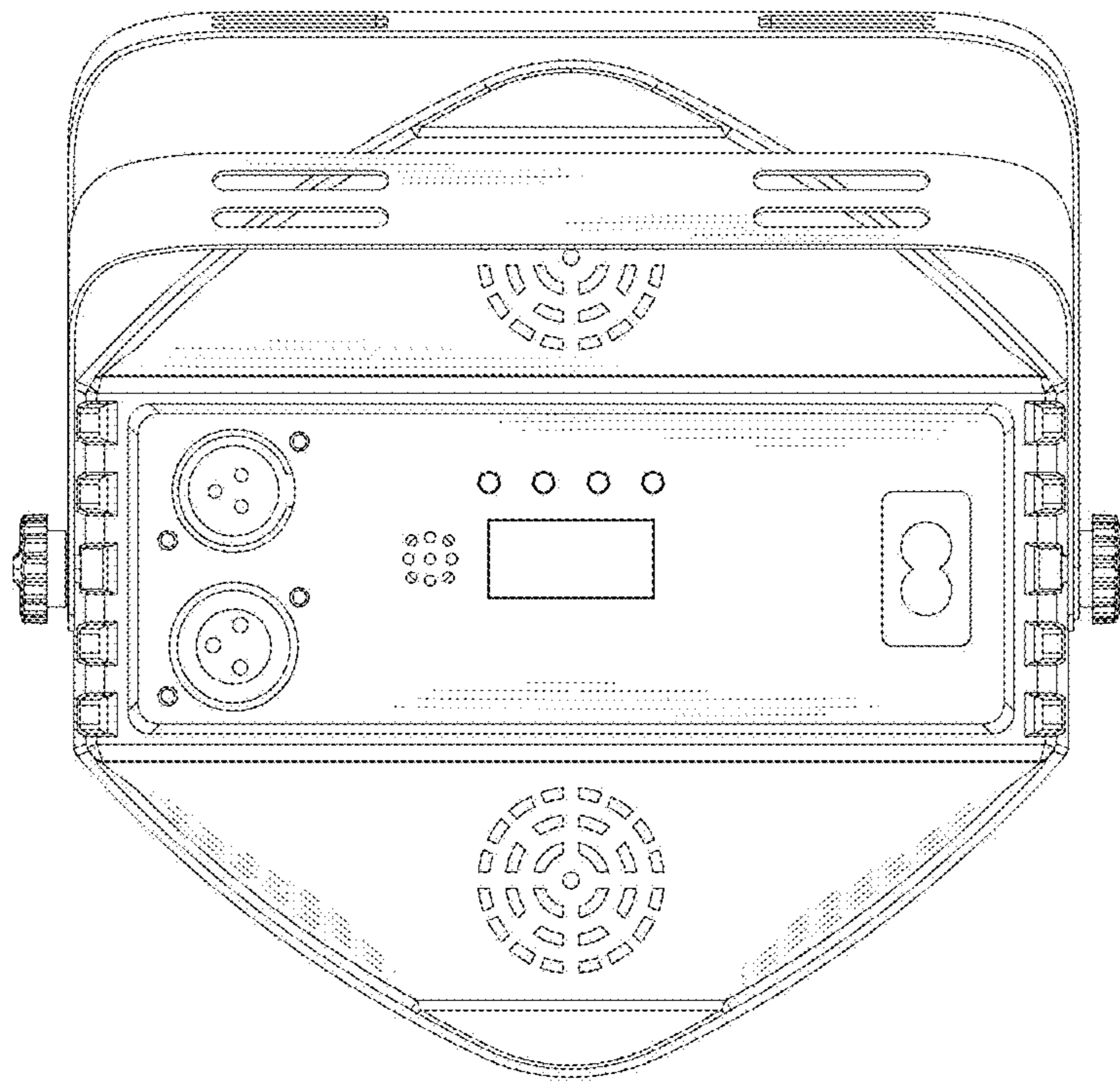


FIG. 7

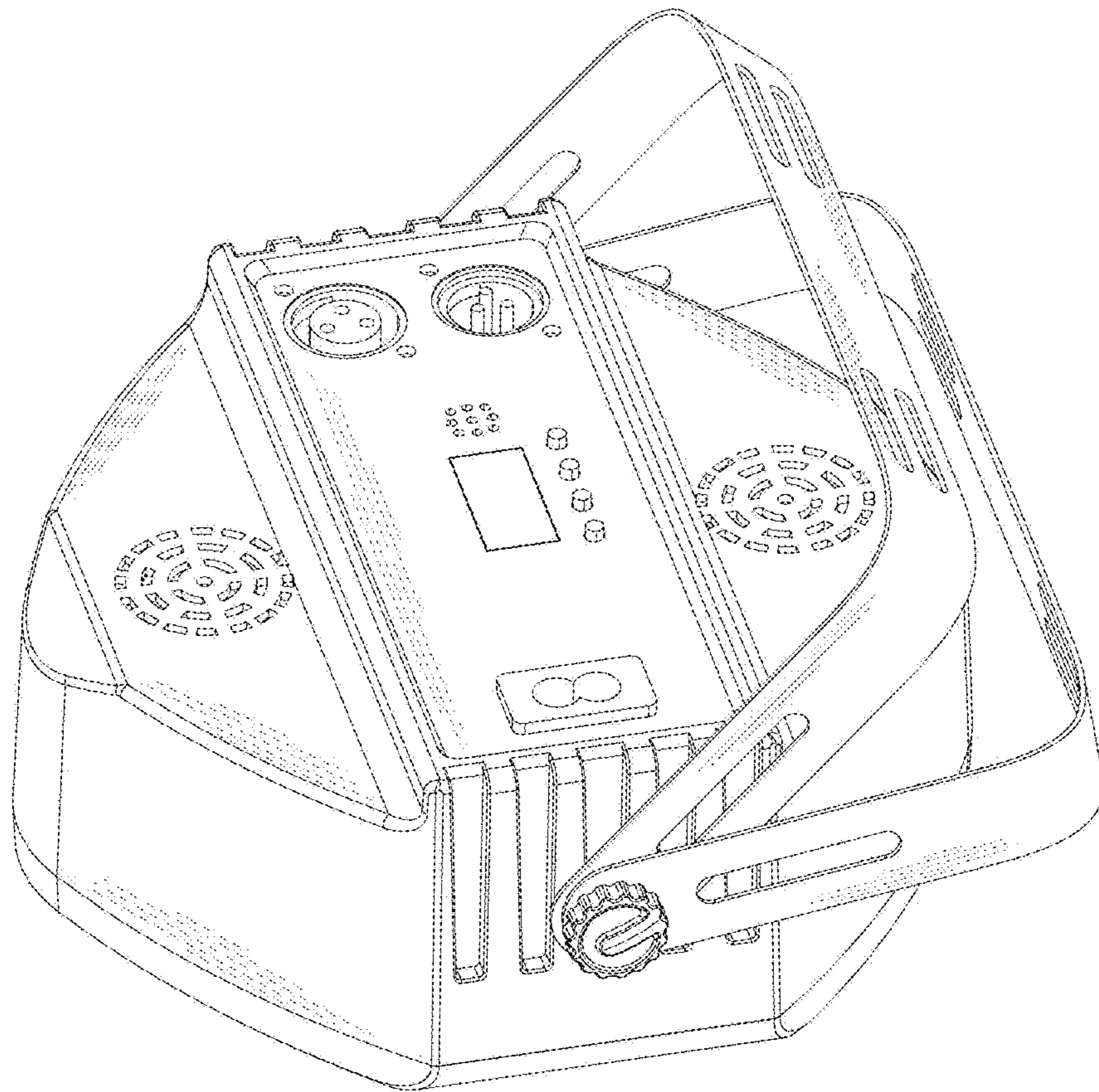


FIG. 8