



US00D909650S

(12) **United States Design Patent**
Cleaver

(10) **Patent No.:** **US D909,650 S**

(45) **Date of Patent:** **** Feb. 2, 2021**

(54) **WORKLIGHT**
(71) Applicant: **Luceco PLC**, London (GB)
(72) Inventor: **David Cleaver**, Shropshire (GB)
(73) Assignee: **Luceco PLC**, London (GB)

(**) Term: **15 Years**

(21) Appl. No.: **29/706,465**

(22) Filed: **Sep. 20, 2019**

(30) **Foreign Application Priority Data**

Mar. 22, 2019 (WO) IB970011963

(51) **LOC (13) Cl.** **26-03**

(52) **U.S. Cl.**
USPC **D26/63**

(58) **Field of Classification Search**
USPC D26/61, 63, 65
CPC F21V 21/14; F21V 21/00; F21V 14/00;
F21V 15/01; F21V 14/02; F21V 21/30;
F21S 8/003; F21Y 2105/001
See application file for complete search history.

(56) **References Cited**

U.S. PATENT DOCUMENTS

7,914,162 B1 * 3/2011 Huang F21S 45/60
362/92
7,988,346 B2 * 8/2011 Helms F21V 29/89
362/545
D689,232 S * 9/2013 Velazquez F21V 23/009
D26/63
D694,928 S * 12/2013 Chen D26/63

D730,555 S * 5/2015 Gebhard D26/72
D844,207 S * 3/2019 Zhang D26/63
D854,212 S * 7/2019 Yuan D26/63
D880,036 S * 3/2020 Qiu D26/63
D899,655 S * 10/2020 Zhang D26/63
D899,657 S * 10/2020 You D26/63

* cited by examiner

Primary Examiner — Brian N. Vinson

(74) *Attorney, Agent, or Firm* — Levenfeld Pearlstein, LLC

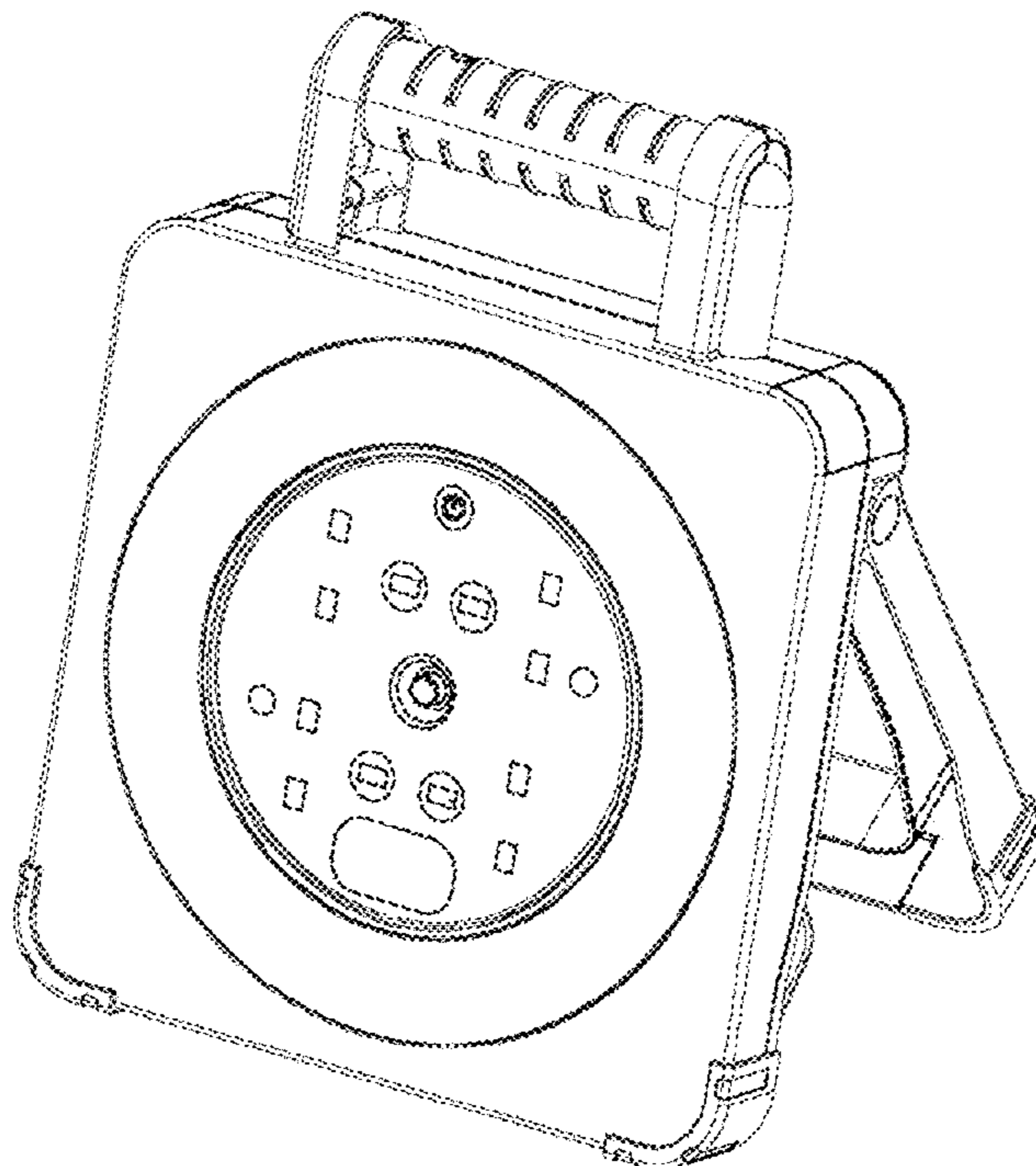
(57) **CLAIM**

The ornamental design for a worklight, as shown and described.

DESCRIPTION

FIG. 1 is a top, front, right-hand side perspective view of a worklight embodying the principles of my new design, the worklight being shown in an open state;
FIG. 2 is a top, rear, right-hand side perspective view thereof;
FIG. 3 is a front view thereof;
FIG. 4 is a rear view thereof;
FIG. 5 is a side view as seen from the left-hand side of FIG. 3, the opposite side being a mirror image thereof;
FIG. 6 is a top view thereof;
FIG. 7 is a bottom view thereof;
FIG. 8 is a top, front, right-hand side perspective view thereof shown in a closed state;
FIG. 9 is a side view as seen from the right-hand side of FIG. 8, the opposite side being a mirror image thereof; and,
FIG. 10 is a top view thereof.
The front plate arrangement, the plug and other features shown in dashed lines form no part of the claimed design.

1 Claim, 5 Drawing Sheets



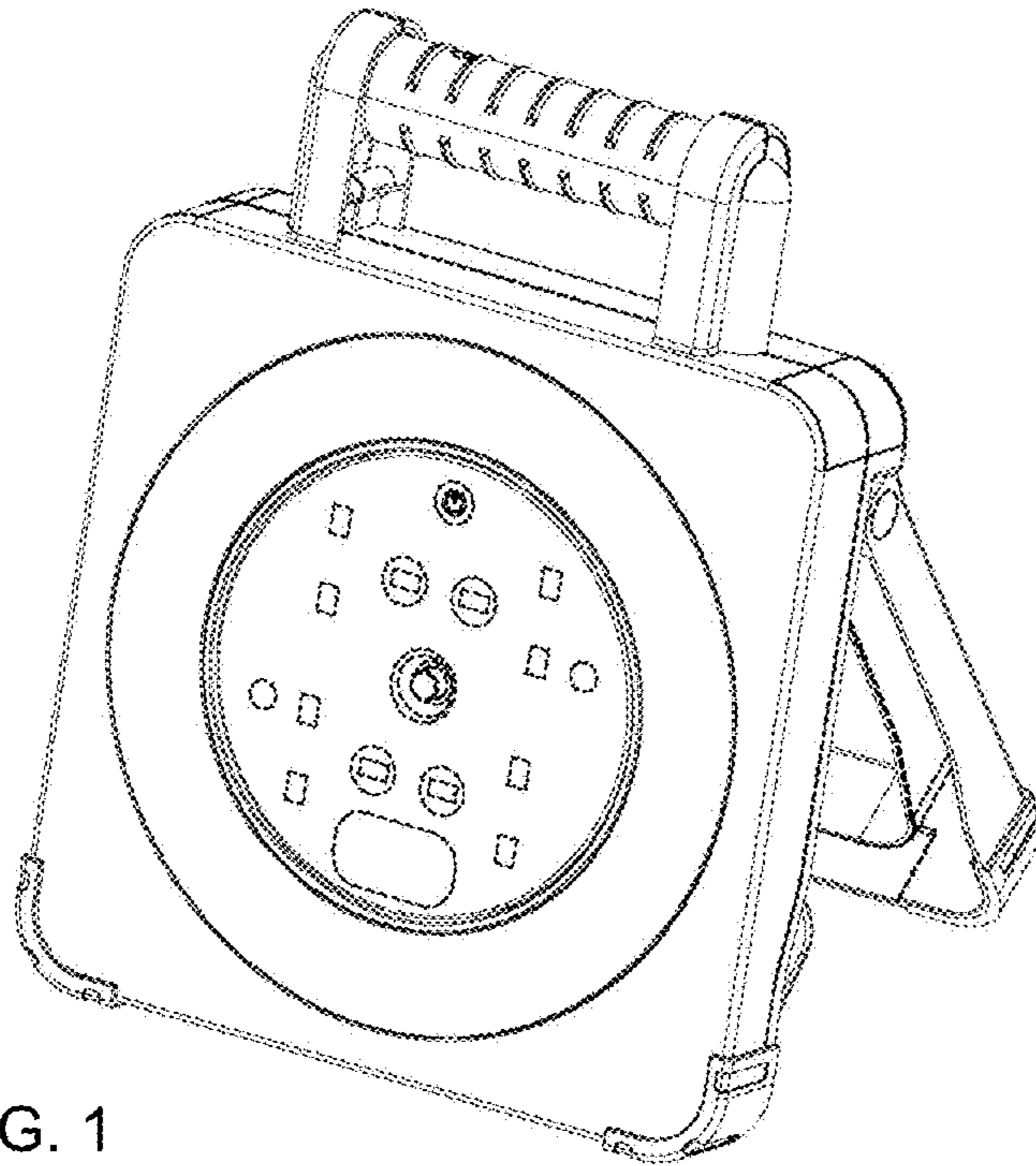


FIG. 1

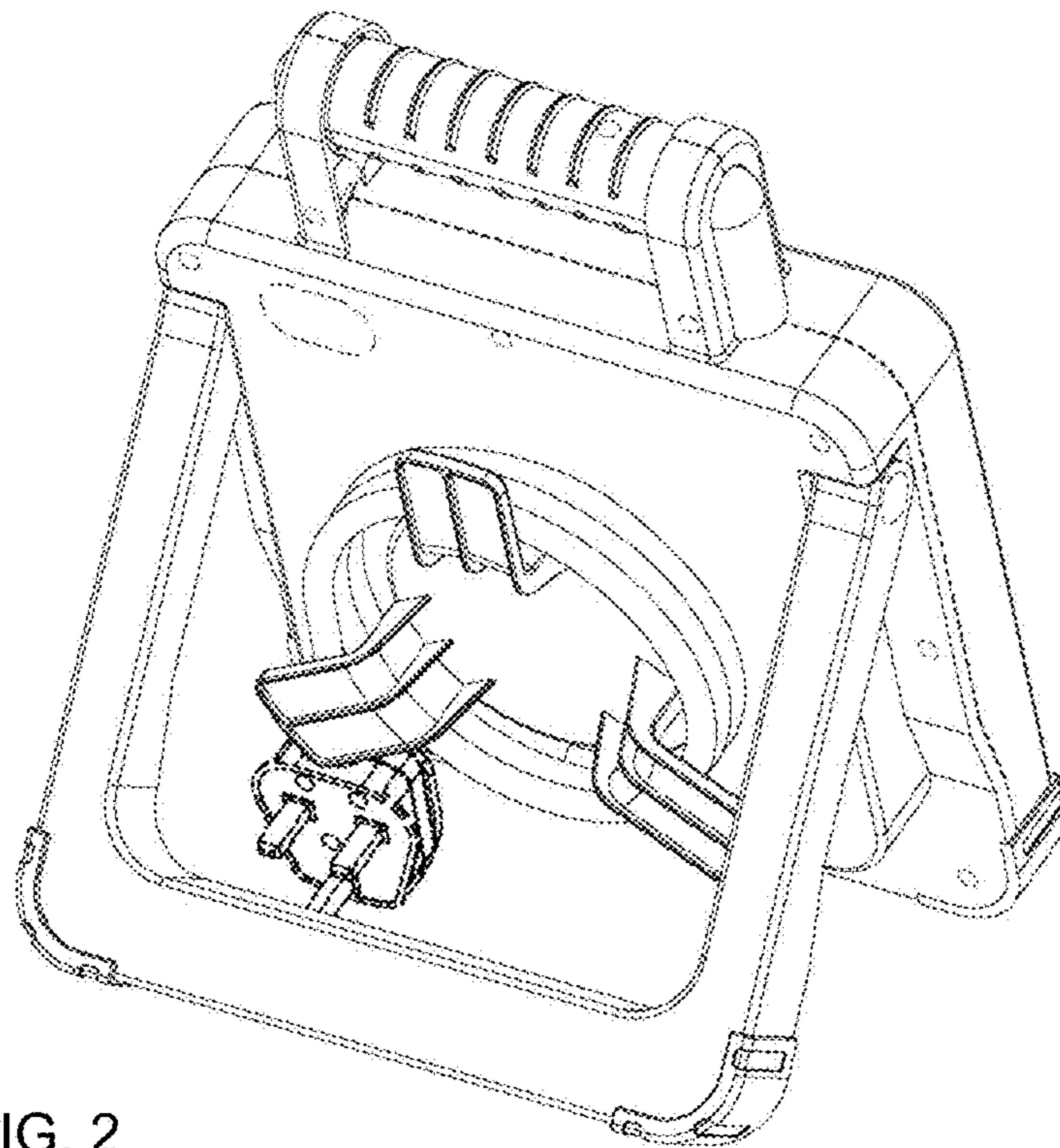


FIG. 2

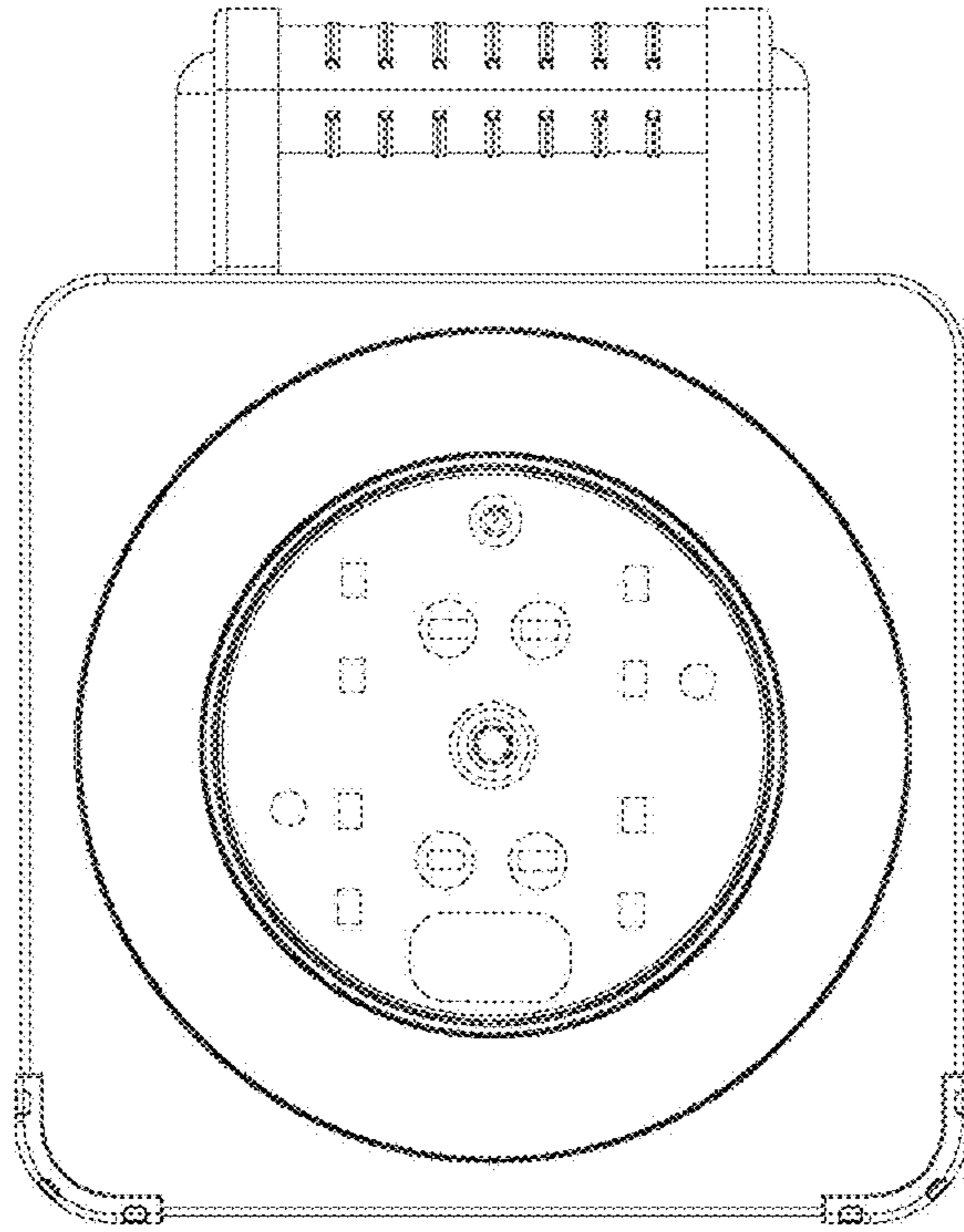


FIG. 3

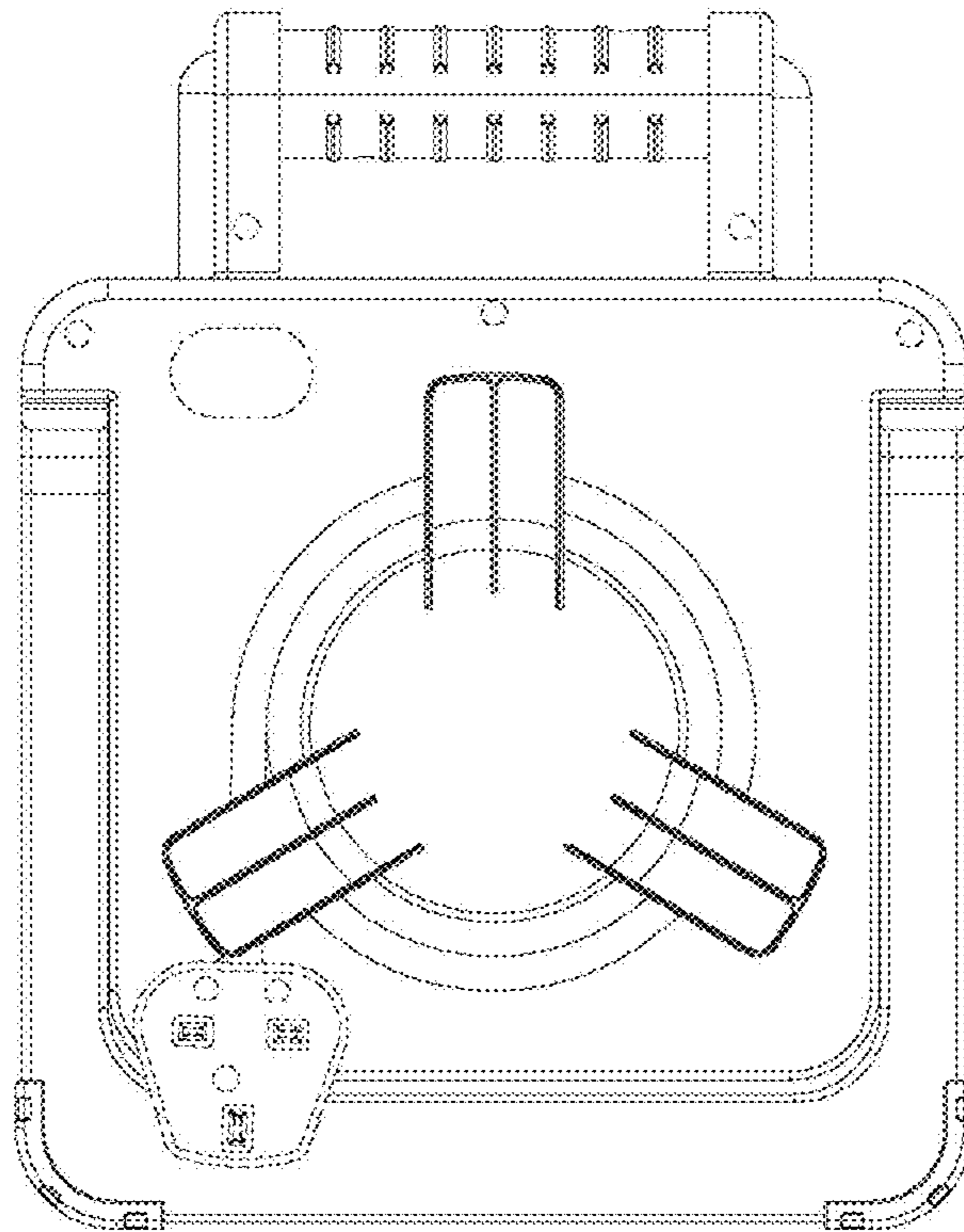


FIG. 4

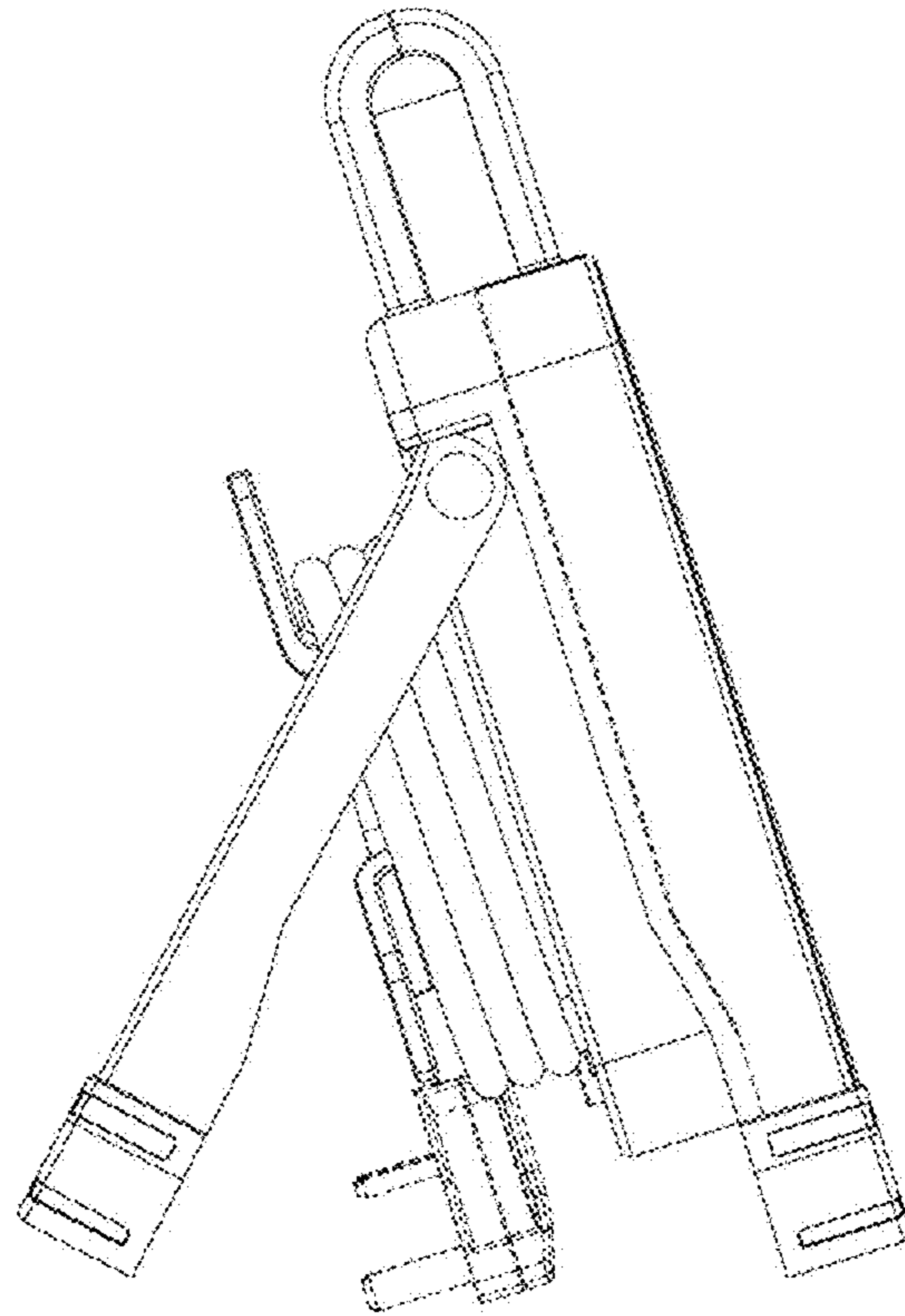


FIG. 5

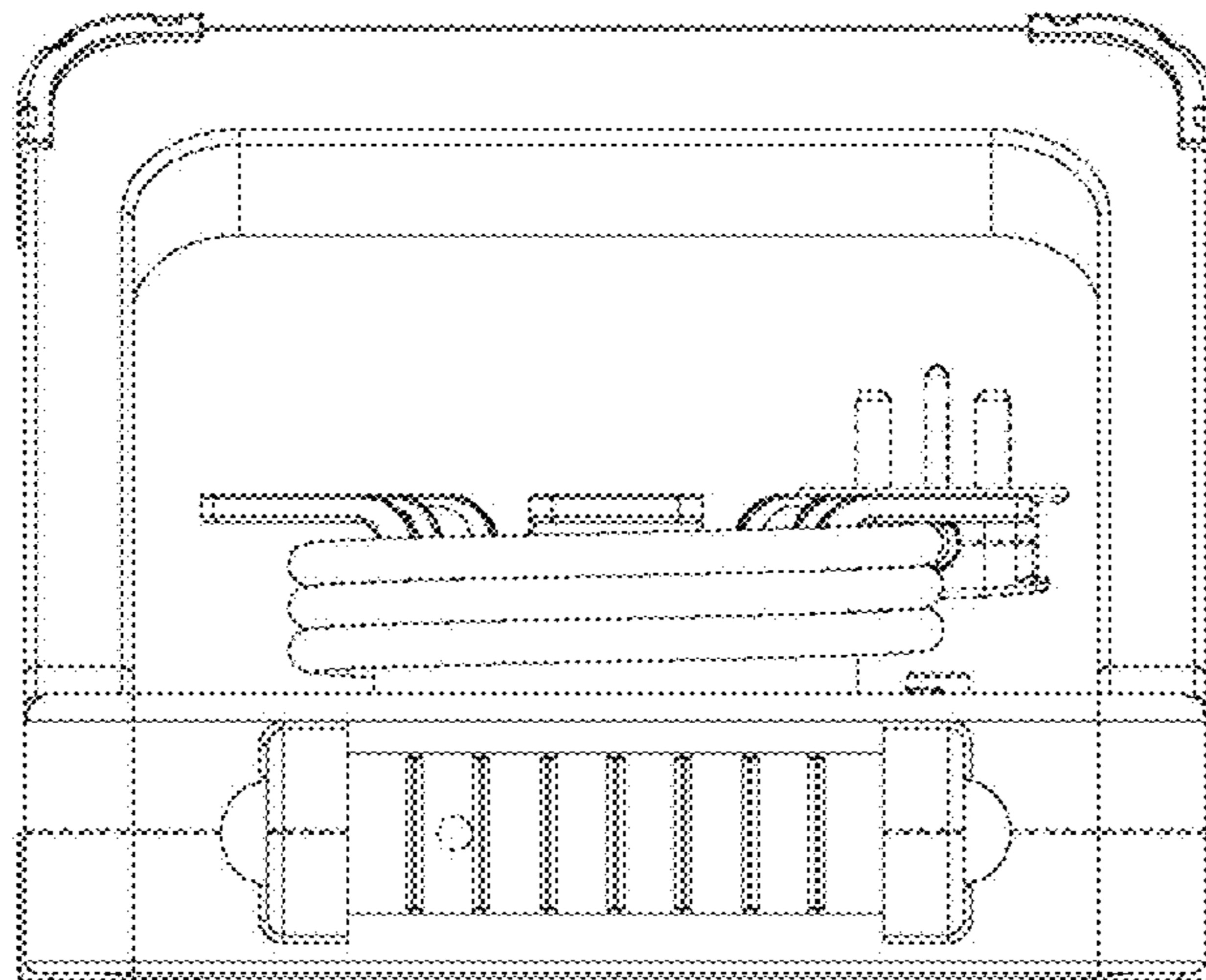


FIG. 6

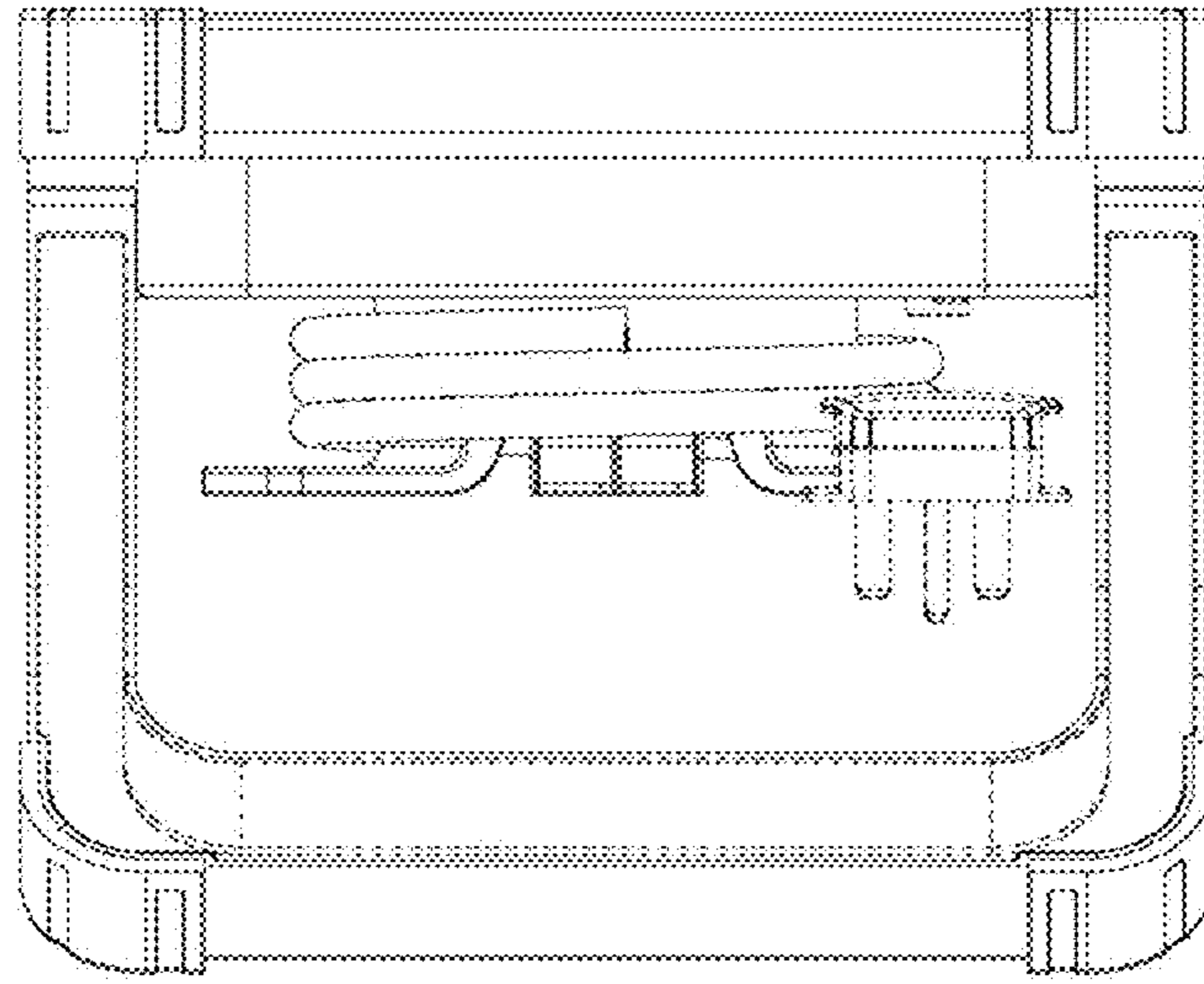


FIG. 7

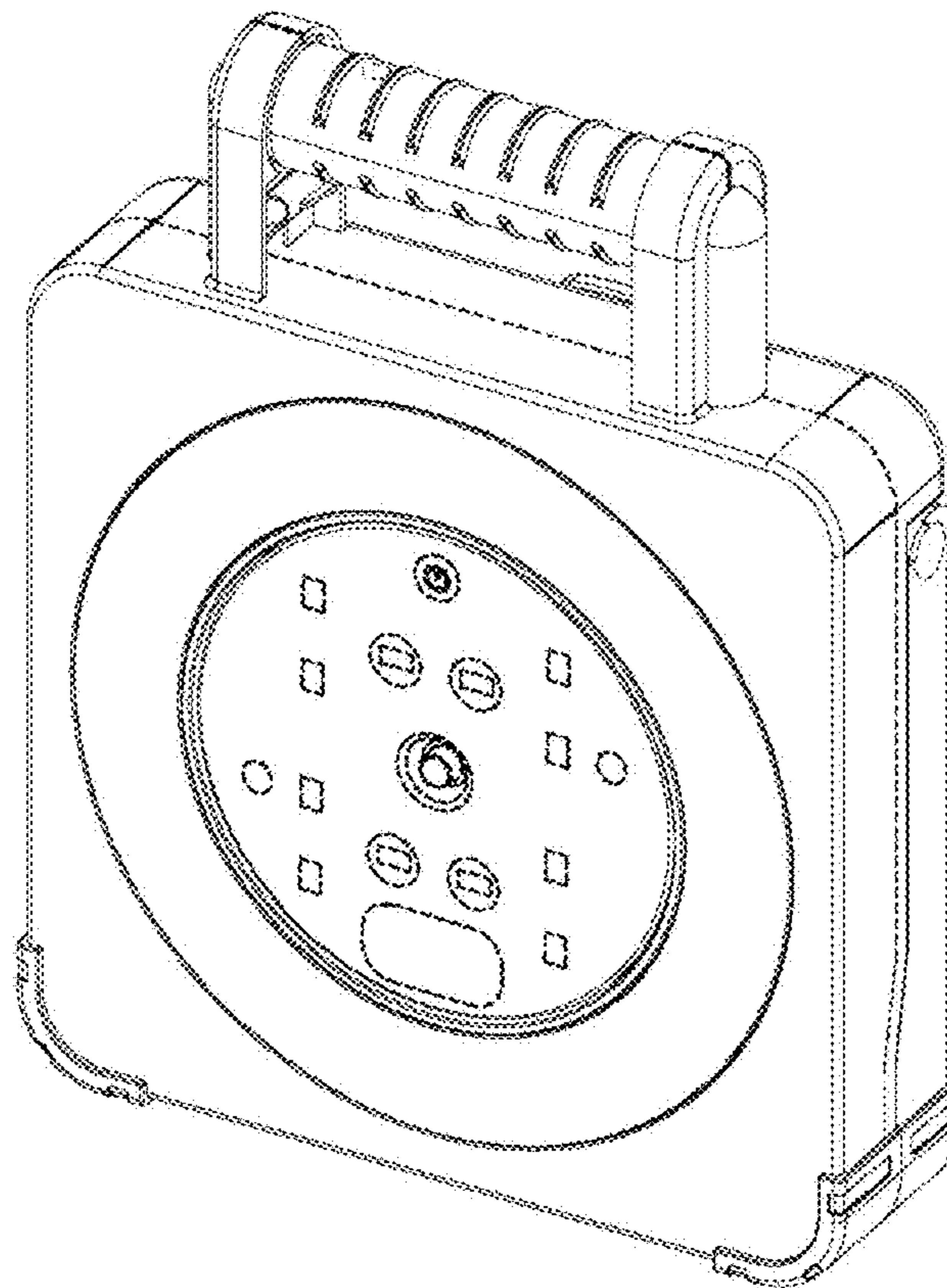


FIG. 8

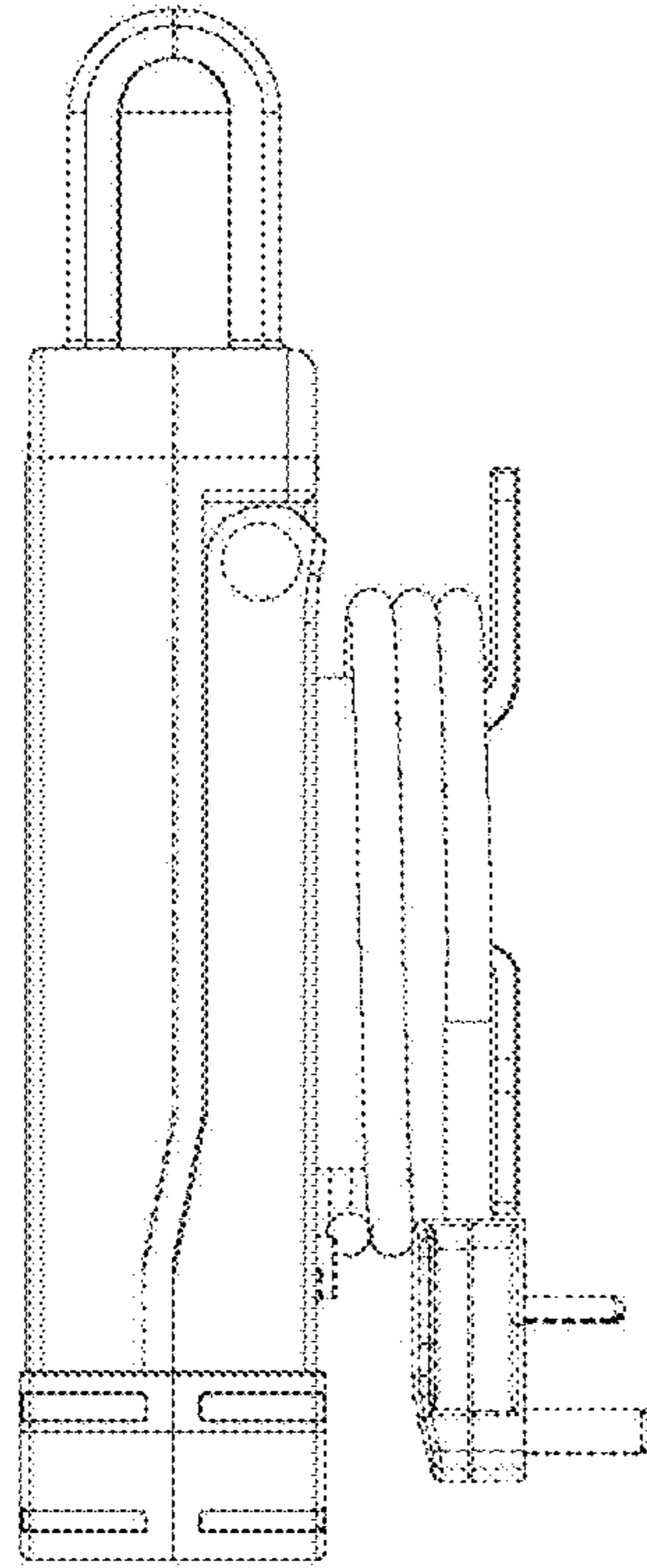


FIG. 9

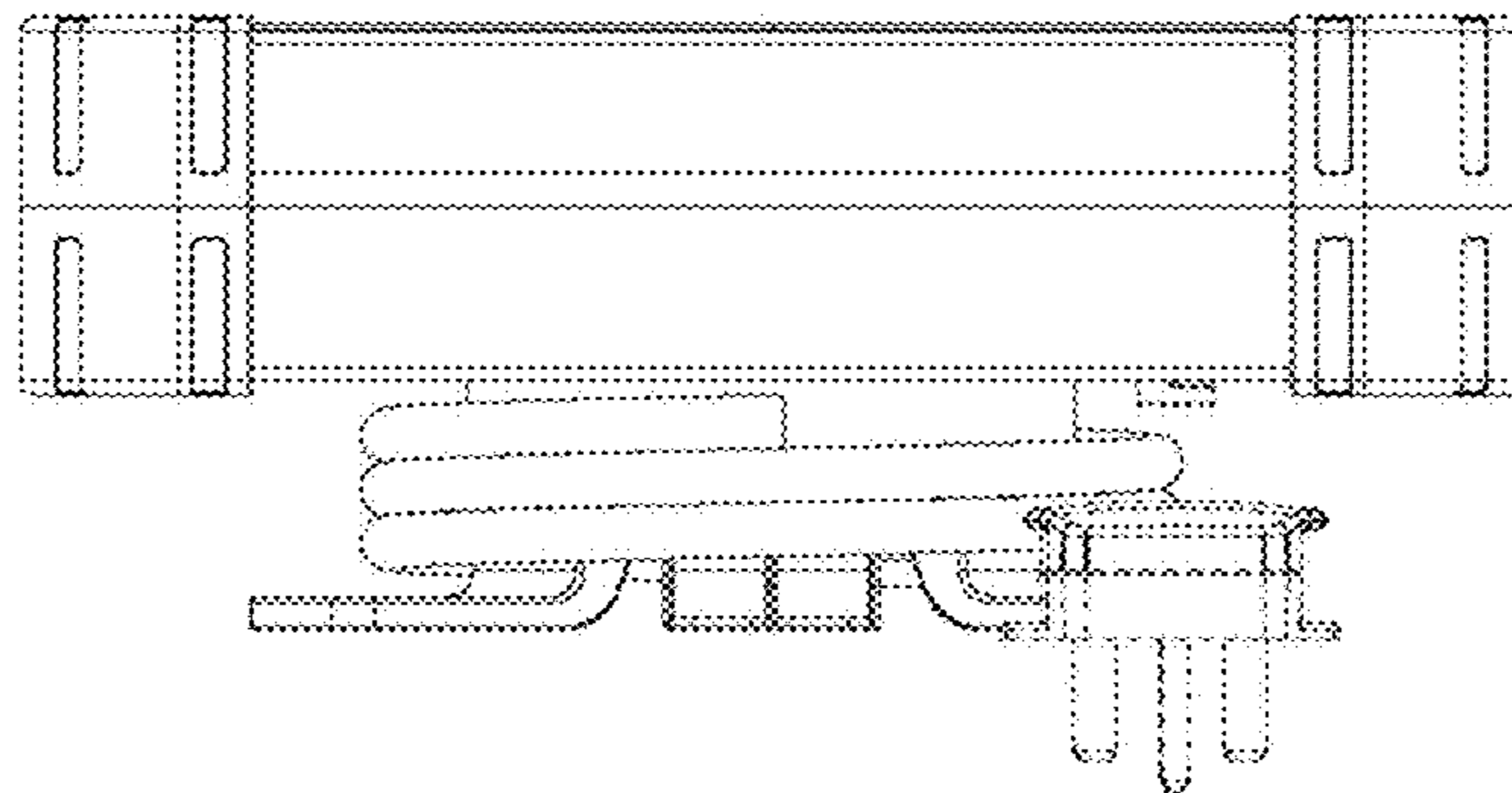


FIG. 10