



US00D909649S

(12) **United States Design Patent**
Chu

(10) **Patent No.:** **US D909,649 S**

(45) **Date of Patent:** **** Feb. 2, 2021**

(54) **LAMP**

(71) Applicant: **Guangdong Feng Shang Intelligent Photoelectricity Co., Ltd.**, Guangzhou (CN)

(72) Inventor: **Shuangyin Chu**, Guangzhou (CN)

(**) Term: **15 Years**

(21) Appl. No.: **29/703,497**

(22) Filed: **Aug. 28, 2019**

(51) **LOC (13) Cl.** **26-03**

(52) **U.S. Cl.**
USPC **D26/63**

(58) **Field of Classification Search**
USPC D26/24, 60-71, 85, 92, 113, 118, 119
CPC F21V 21/14; F21V 15/01; F21V 14/02;
F21V 21/30; F21V 14/00; F21Y
2105/001; F21S 8/00
See application file for complete search history.

(56) **References Cited**

U.S. PATENT DOCUMENTS

D690,457 S * 9/2013 Lu D26/118
D827,180 S * 8/2018 Mou D26/72

D843,430 S * 3/2019 Hodgson D16/135
D854,227 S * 7/2019 Yu D26/106
D855,242 S * 7/2019 Chen D26/106
D877,392 S * 3/2020 Yu D26/79
D879,358 S * 3/2020 Du D26/106
D901,054 S * 11/2020 Zhao D26/61

* cited by examiner

Primary Examiner — Brian N. Vinson

(74) *Attorney, Agent, or Firm* — W&K IP

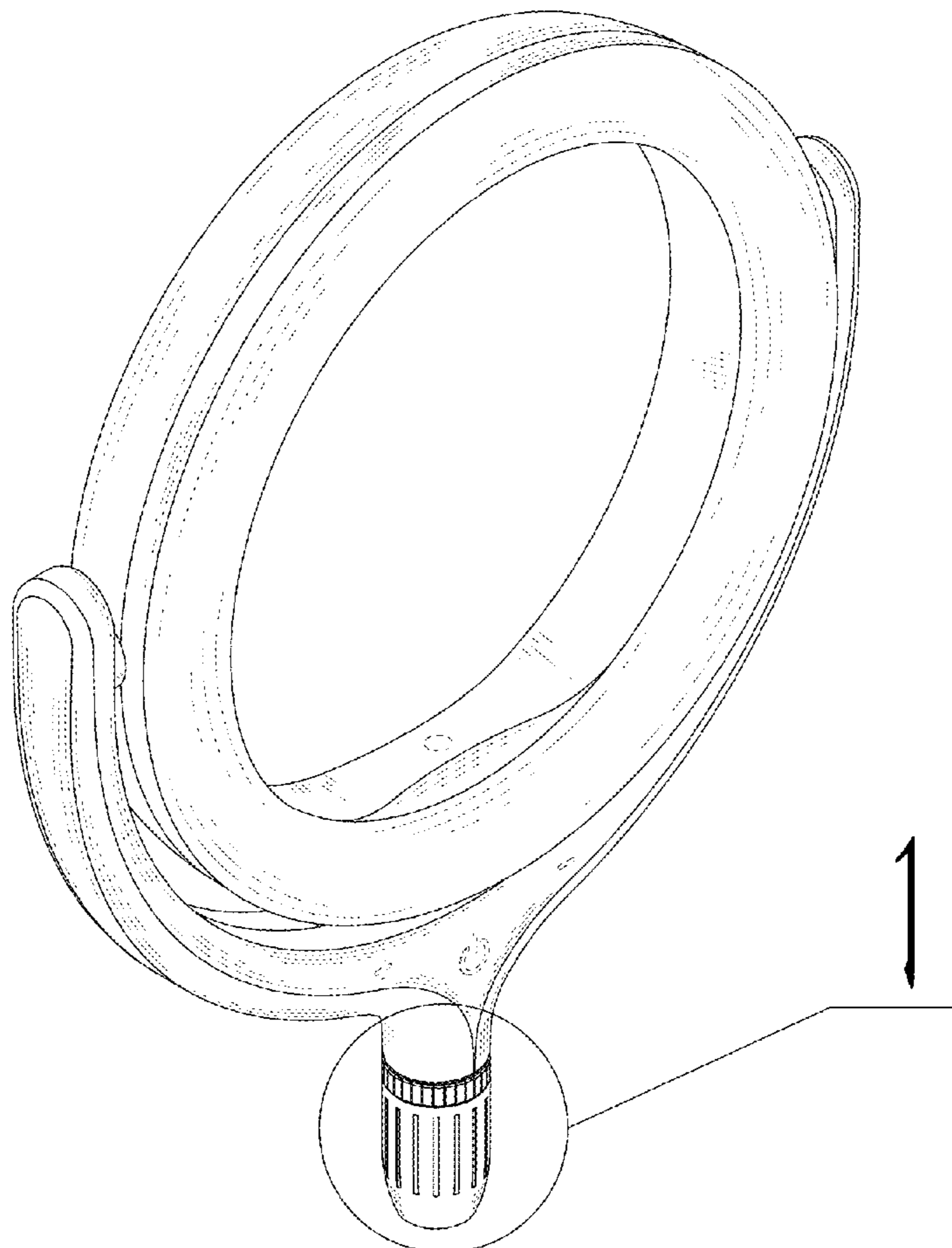
(57) **CLAIM**

The ornamental design for a lamp, as shown and described.

DESCRIPTION

FIG. 1 is a perspective view of a lamp showing my new design;
FIG. 2 is a front elevational view thereof;
FIG. 3 is a rear elevational view thereof;
FIG. 4 is a left elevational view thereof;
FIG. 5 is a right elevational view thereof;
FIG. 6 is a top plan view thereof;
FIG. 7 is a bottom plan view thereof;
FIG. 8 is an enlarged view of portion 1 from FIG. 1 thereof;
and,
FIG. 9 is an enlarged view of portion 2 from FIG. 2 thereof.

1 Claim, 9 Drawing Sheets



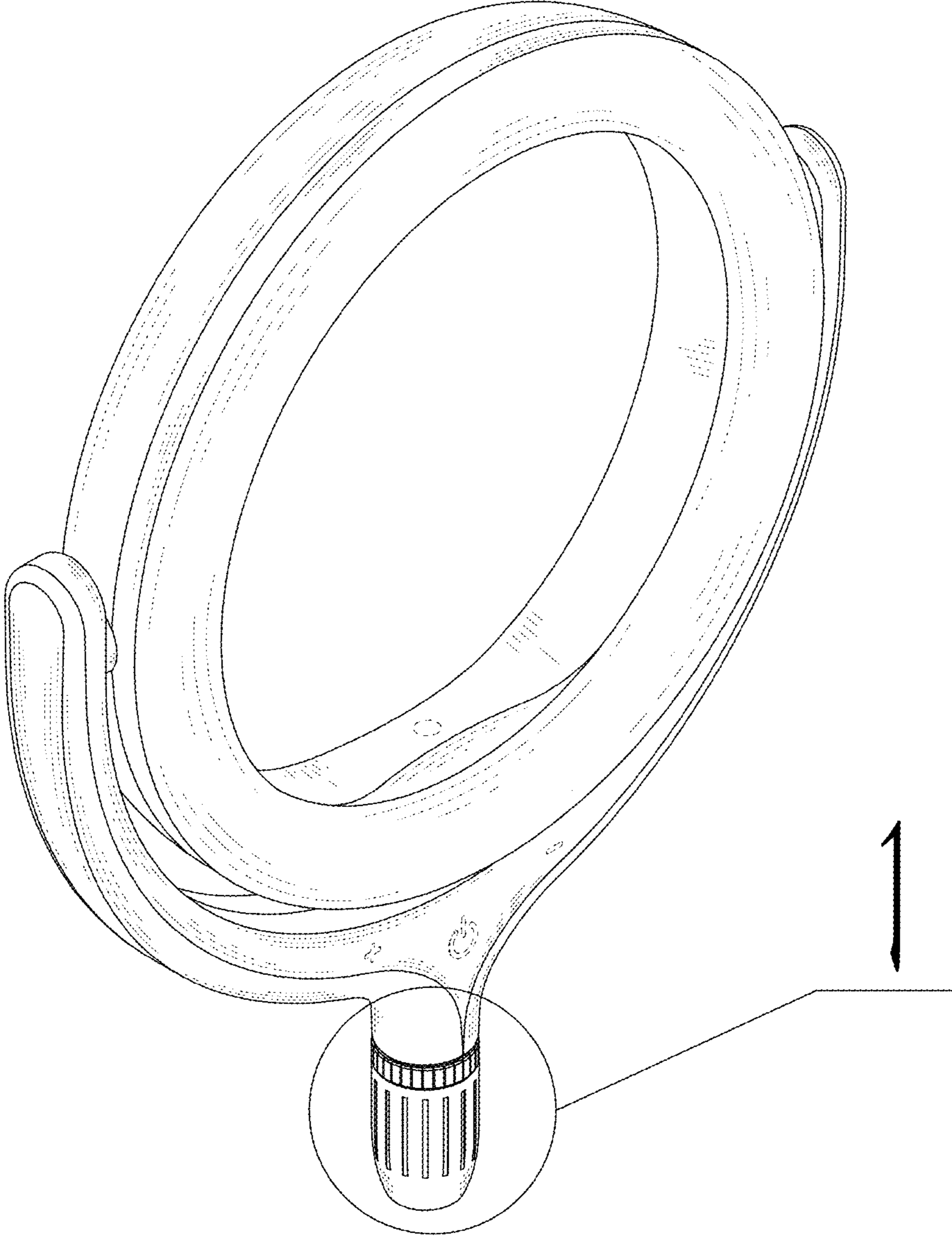


FIG. 1

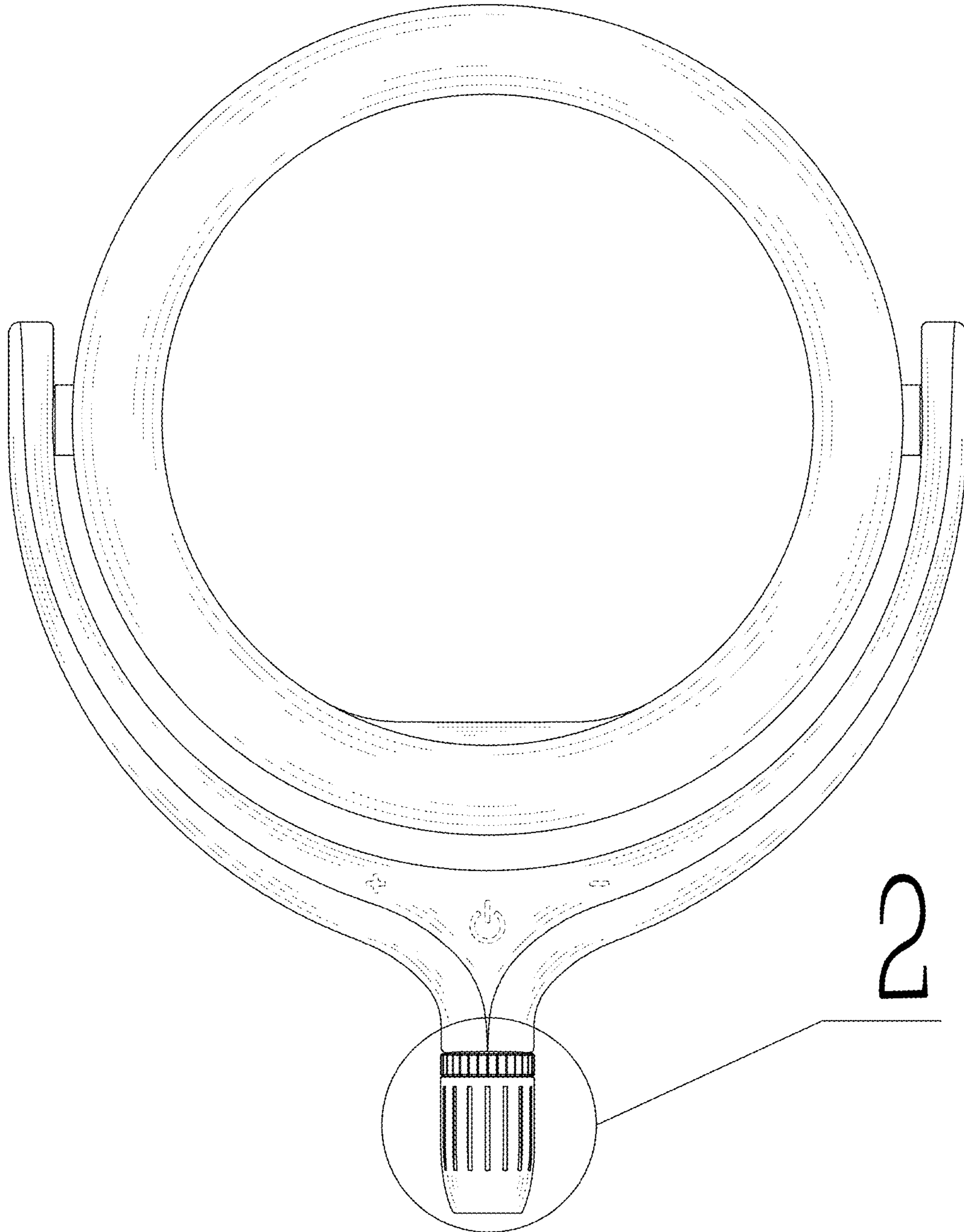


FIG. 2

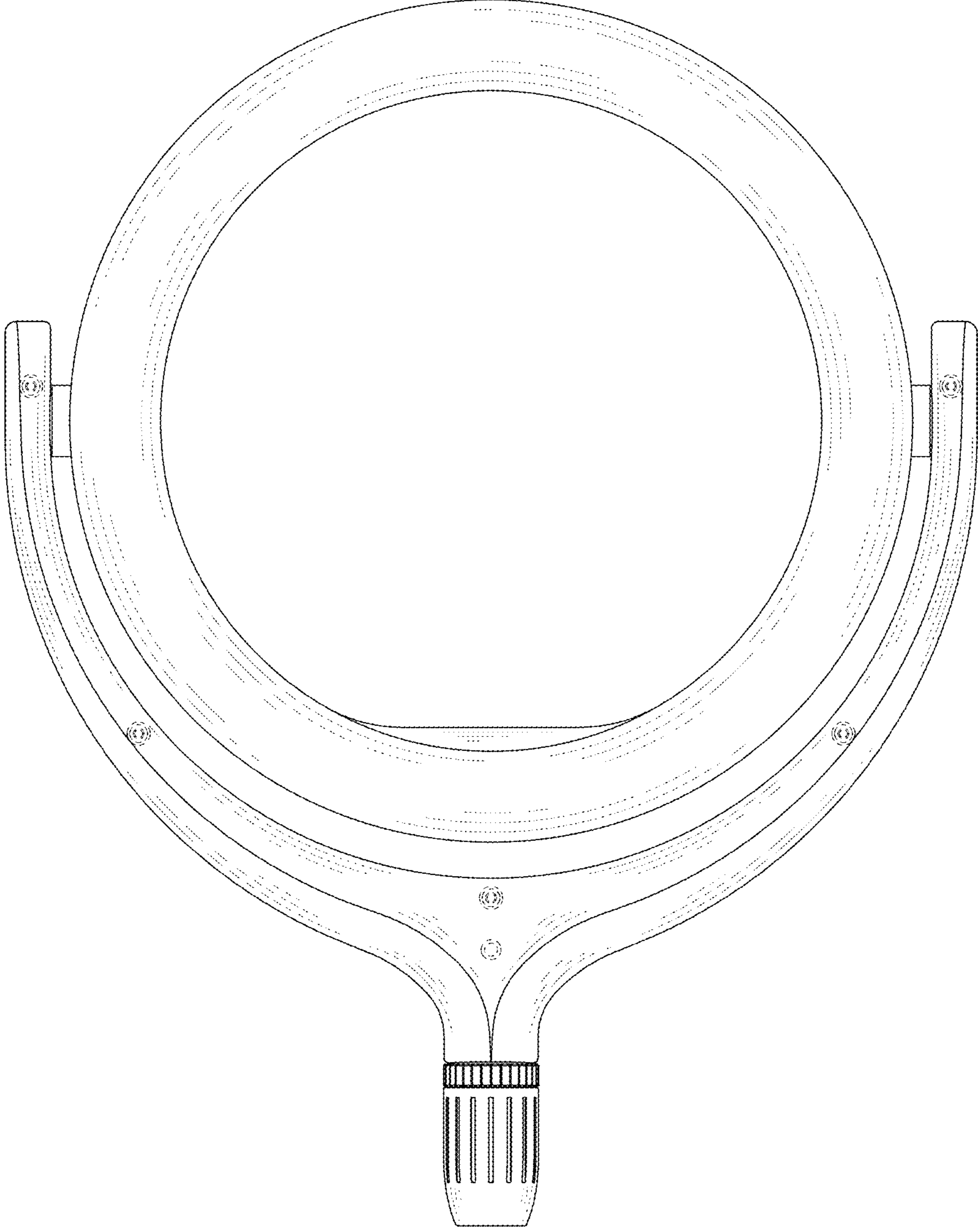


FIG.3

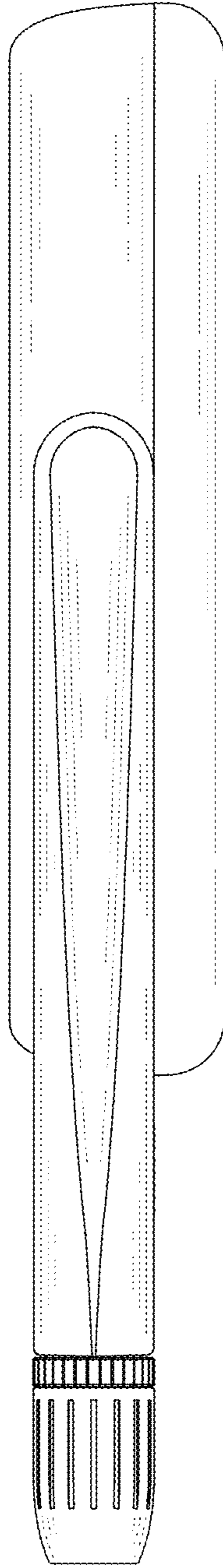


FIG. 4

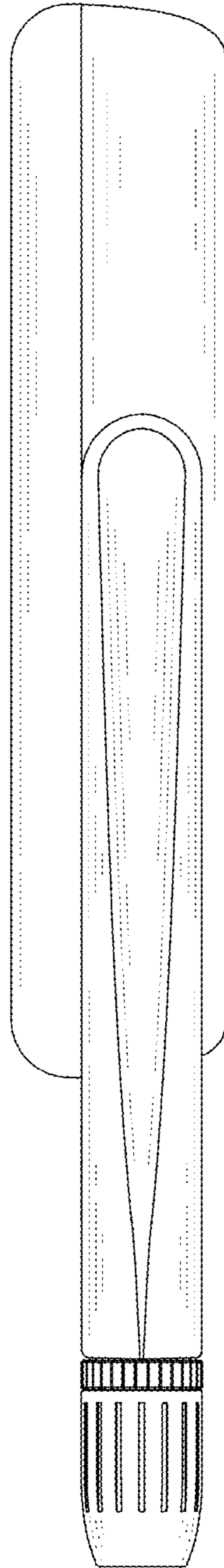


FIG. 5

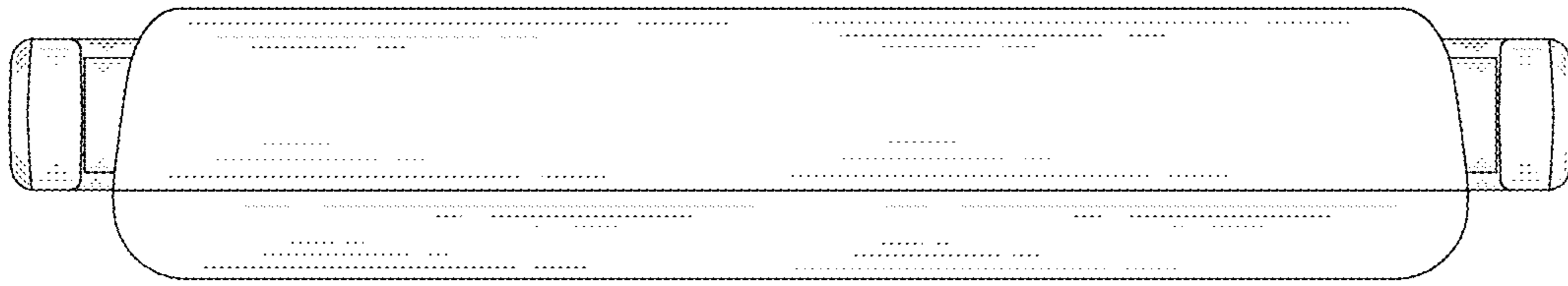


FIG. 6

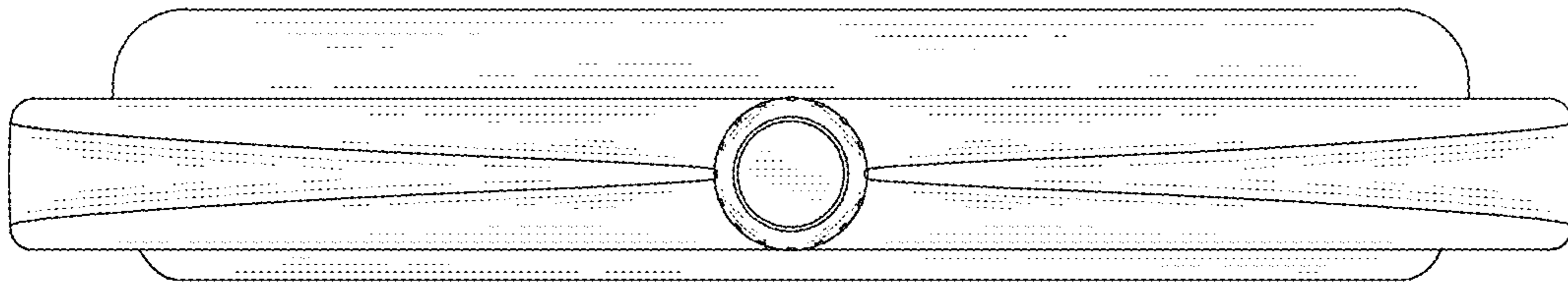


FIG. 7

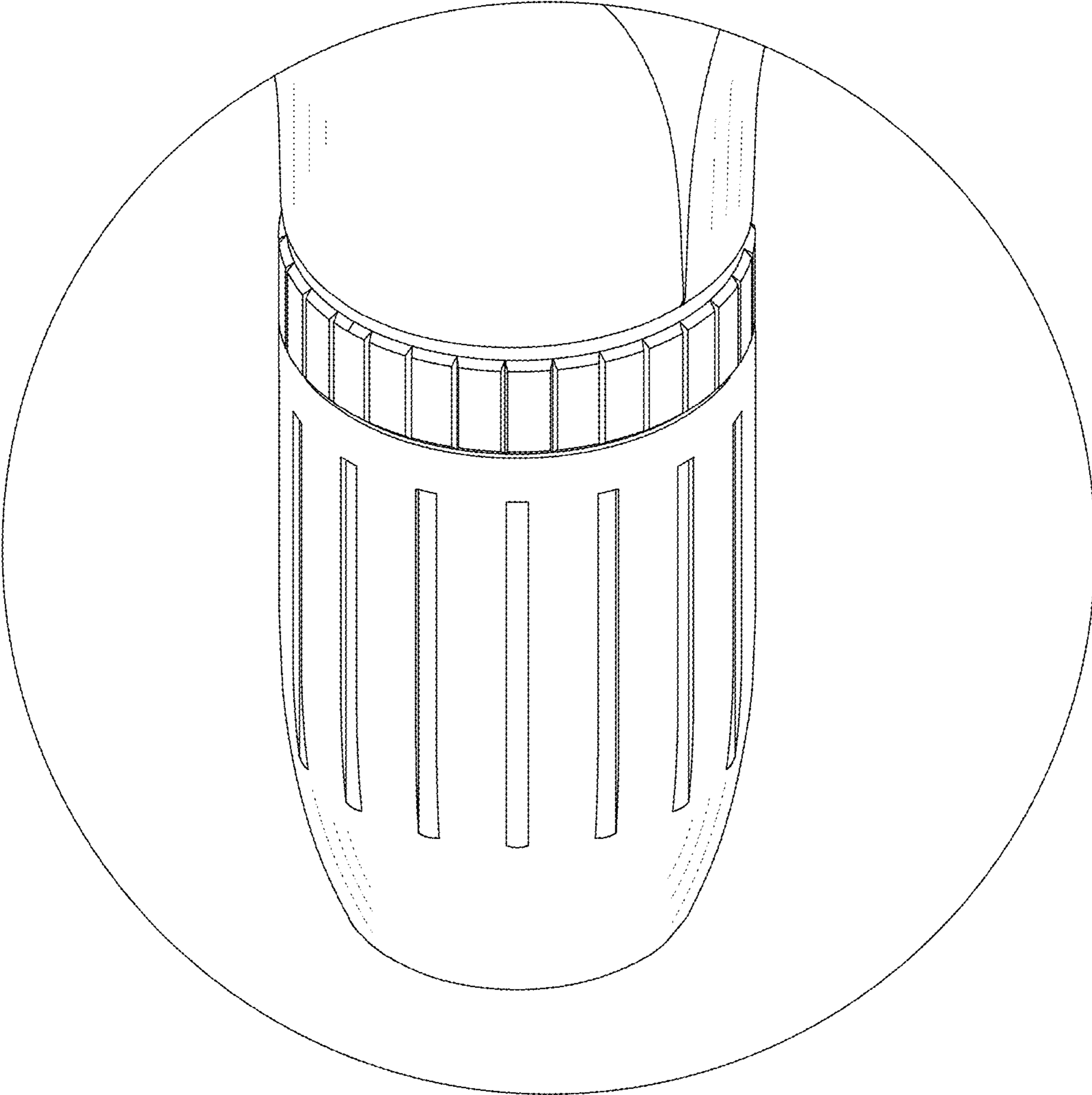


FIG. 8

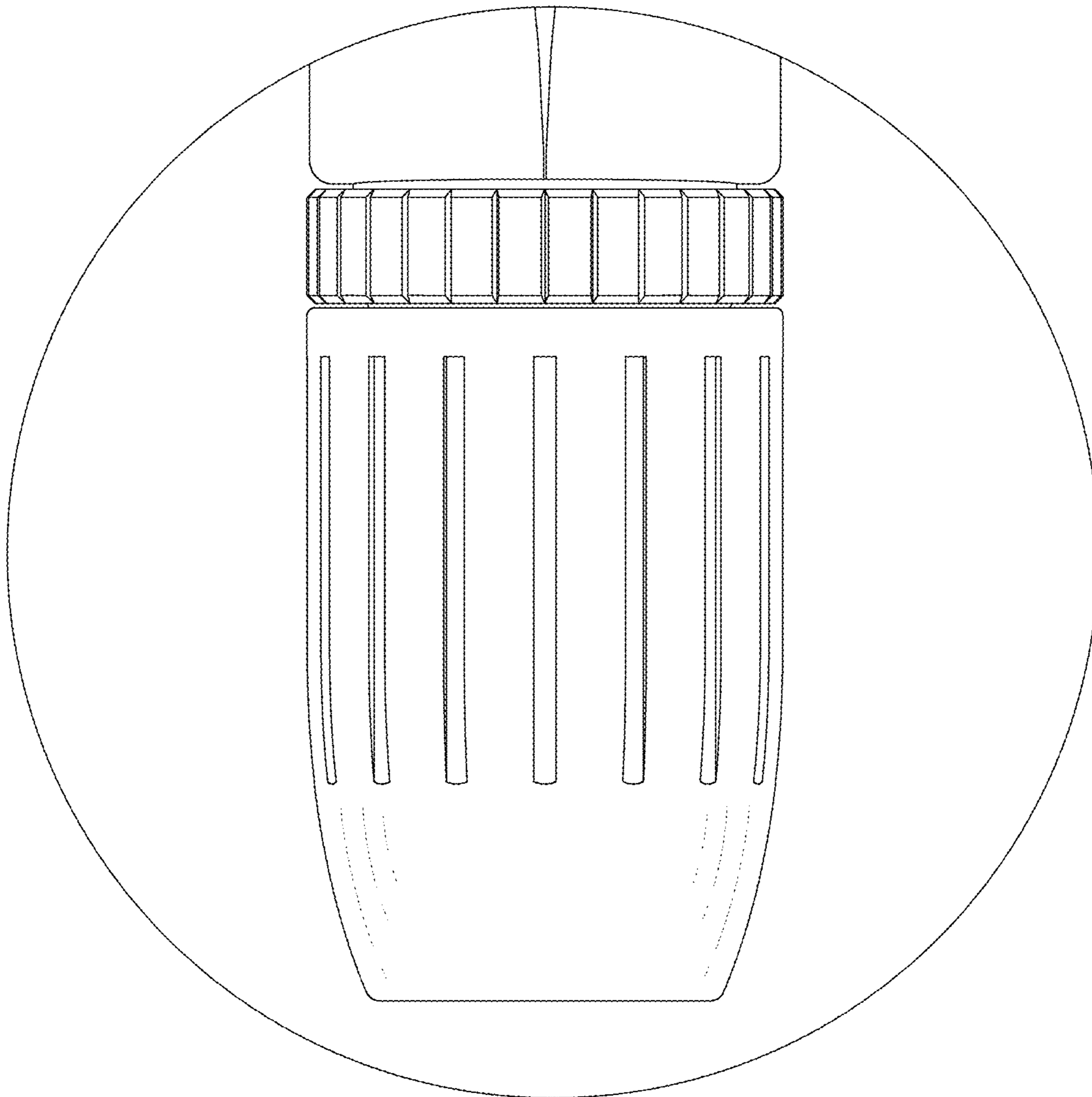


FIG. 9