



US00D909648S

(12) **United States Design Patent** (10) **Patent No.:** **US D909,648 S**
Xu (45) **Date of Patent:** **** Feb. 2, 2021**

(54) **LED DEFORMABLE LAMP**

(56) **References Cited**

(71) Applicant: **Dongguan Qianrun Lighting Co., Ltd., Dongguan (CN)**

U.S. PATENT DOCUMENTS

(72) Inventor: **Cankun Xu, Jiedong County (CN)**

D861,926 S *	10/2019	Lin	D26/2
D879,349 S *	3/2020	Li	D26/63
D882,851 S *	4/2020	Deng	D26/63
D886,353 S *	6/2020	Du	D26/63
D895,170 S *	9/2020	Zhang	D26/2

(73) Assignee: **Dongguan Qianrun Lighting Co., Ltd., Dongguan (CN)**

* cited by examiner

(**) Term: **15 Years**

Primary Examiner — Brian N. Vinson

(21) Appl. No.: **29/700,158**

(74) *Attorney, Agent, or Firm* — Muncy, Geissler, Olds & Lowe, P.C.

(22) Filed: **Jul. 31, 2019**

(57) **CLAIM**

(51) **LOC (13) Cl.** **26-03**

The ornamental design for a LED deformable lamp, as shown and described.

(52) **U.S. Cl.**
USPC **D26/63**

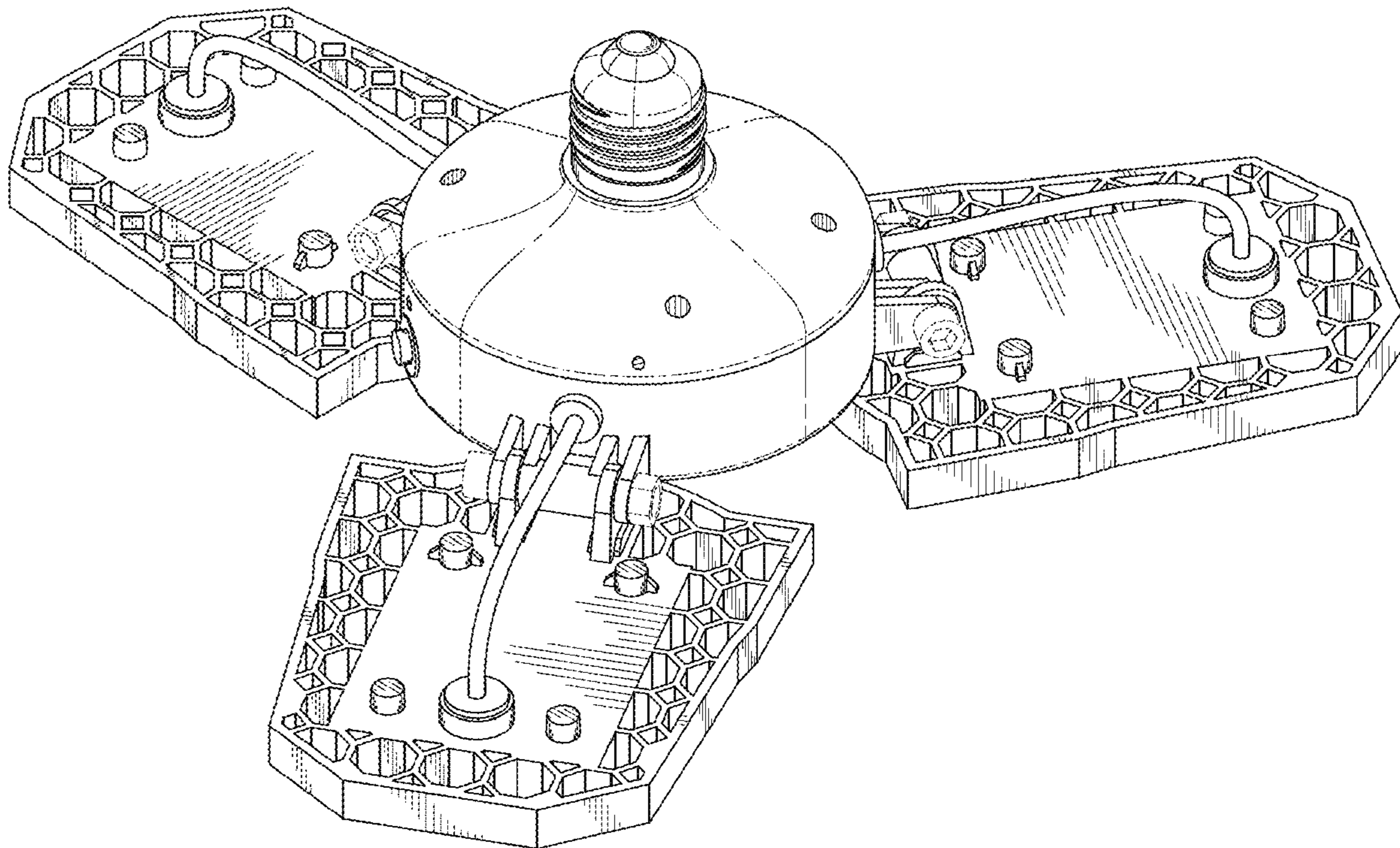
DESCRIPTION

(58) **Field of Classification Search**
USPC D26/25, 63, 65, 61
CPC F21S 8/04; F21S 8/00; F21S 8/036; F21S 8/038; F21S 8/043; F21S 8/081; F21S 8/083; F21S 8/085; F21S 8/086; F21S 8/088; F21S 13/10; F21S 9/03; F21S 9/035; F21S 9/037; F21S 6/003; F21V 21/00; F21V 17/02; F21V 14/02; F21V 21/30; F21V 21/14; F21V 21/26; F21W 2131/10

FIG. 1 is a front elevational view of a LED deformable lamp showing my new design;
FIG. 2 is a rear elevational view thereof;
FIG. 3 is a left side view thereof;
FIG. 4 is a right side view thereof;
FIG. 5 is a top plan view thereof;
FIG. 6 is a bottom plan view thereof; and,
FIG. 7 is a perspective view thereof.
The broken lines illustrate environment structure which forms no part of the claimed design.

See application file for complete search history.

1 Claim, 7 Drawing Sheets



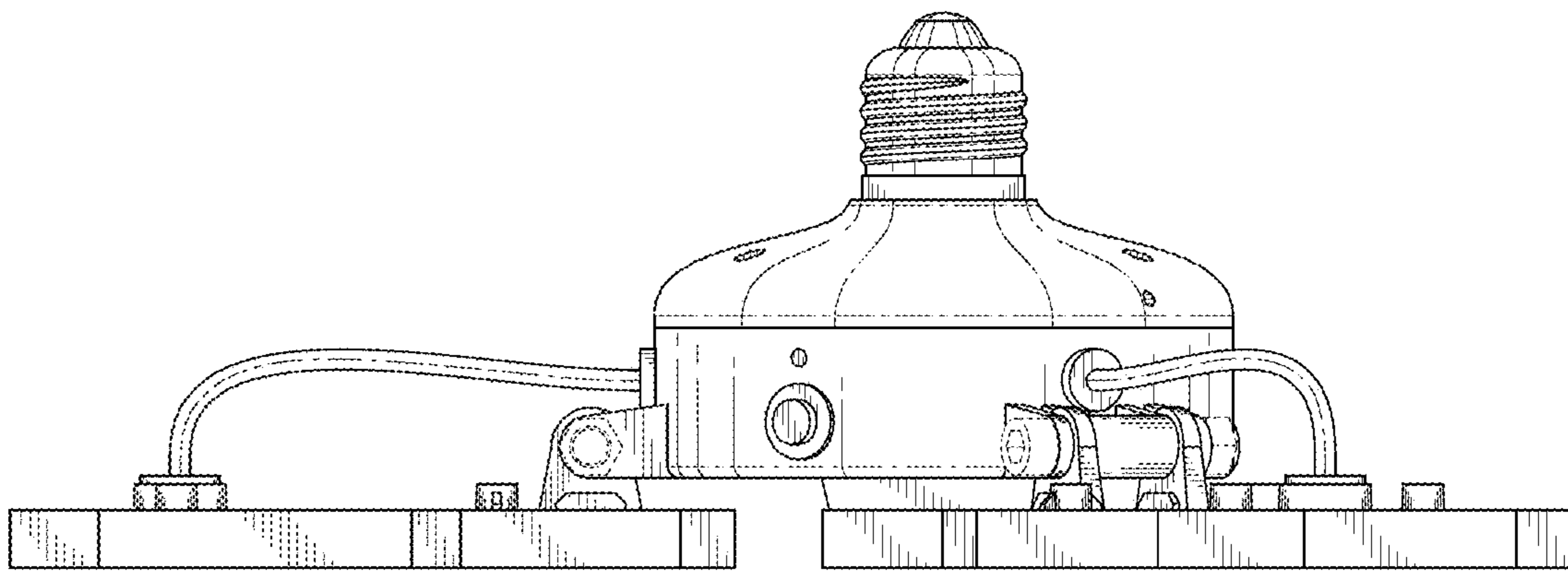


Fig. 1

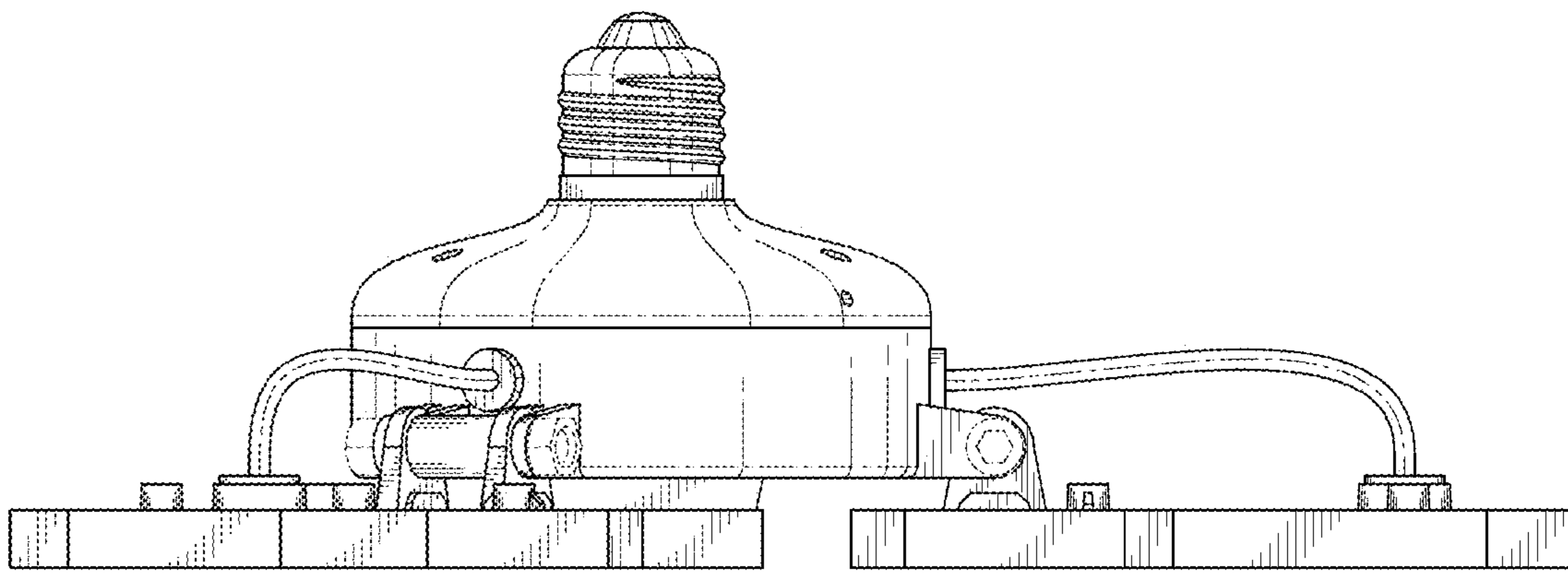


Fig.2

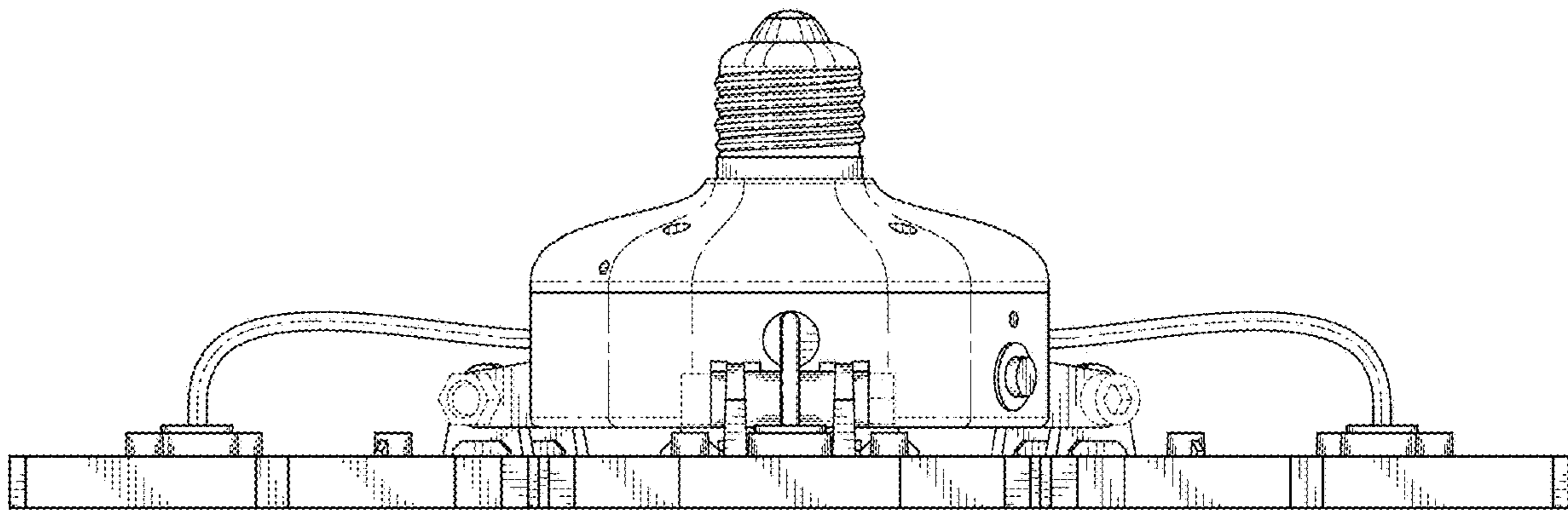


Fig.3

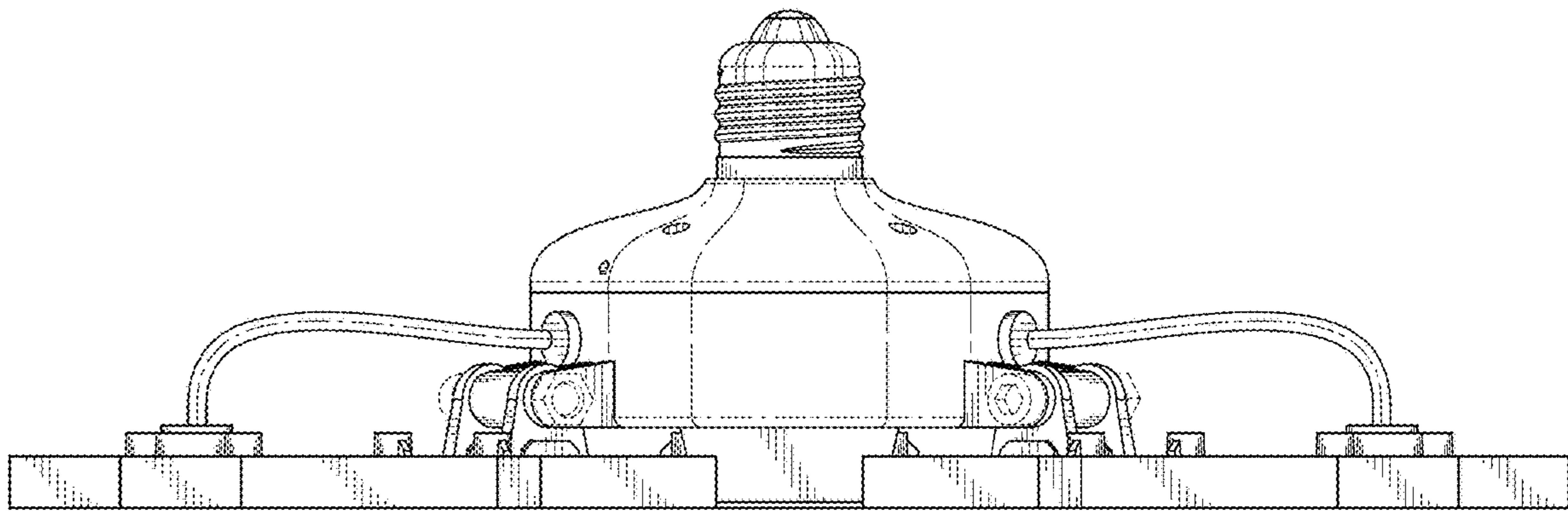


Fig.4

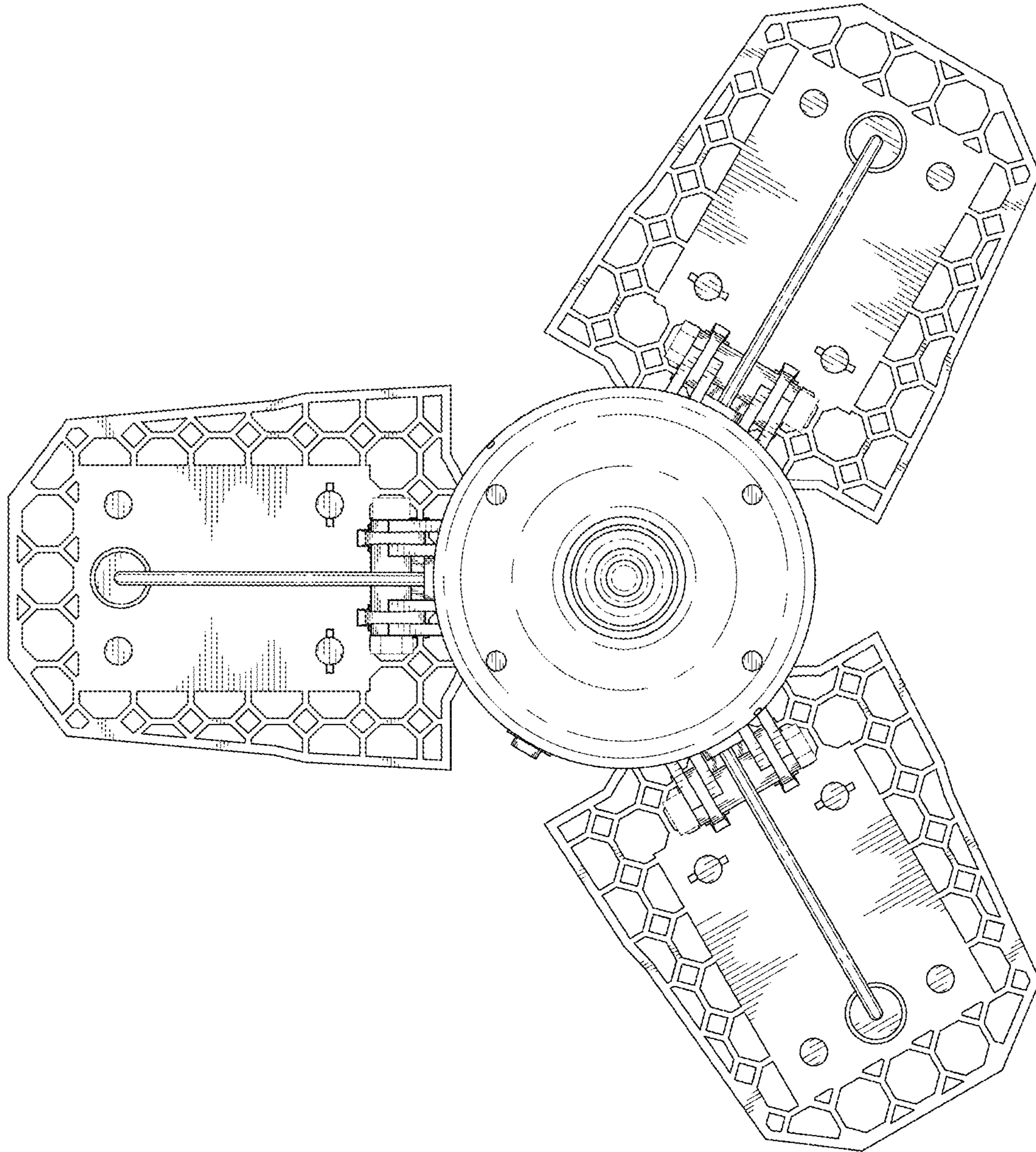


Fig.5

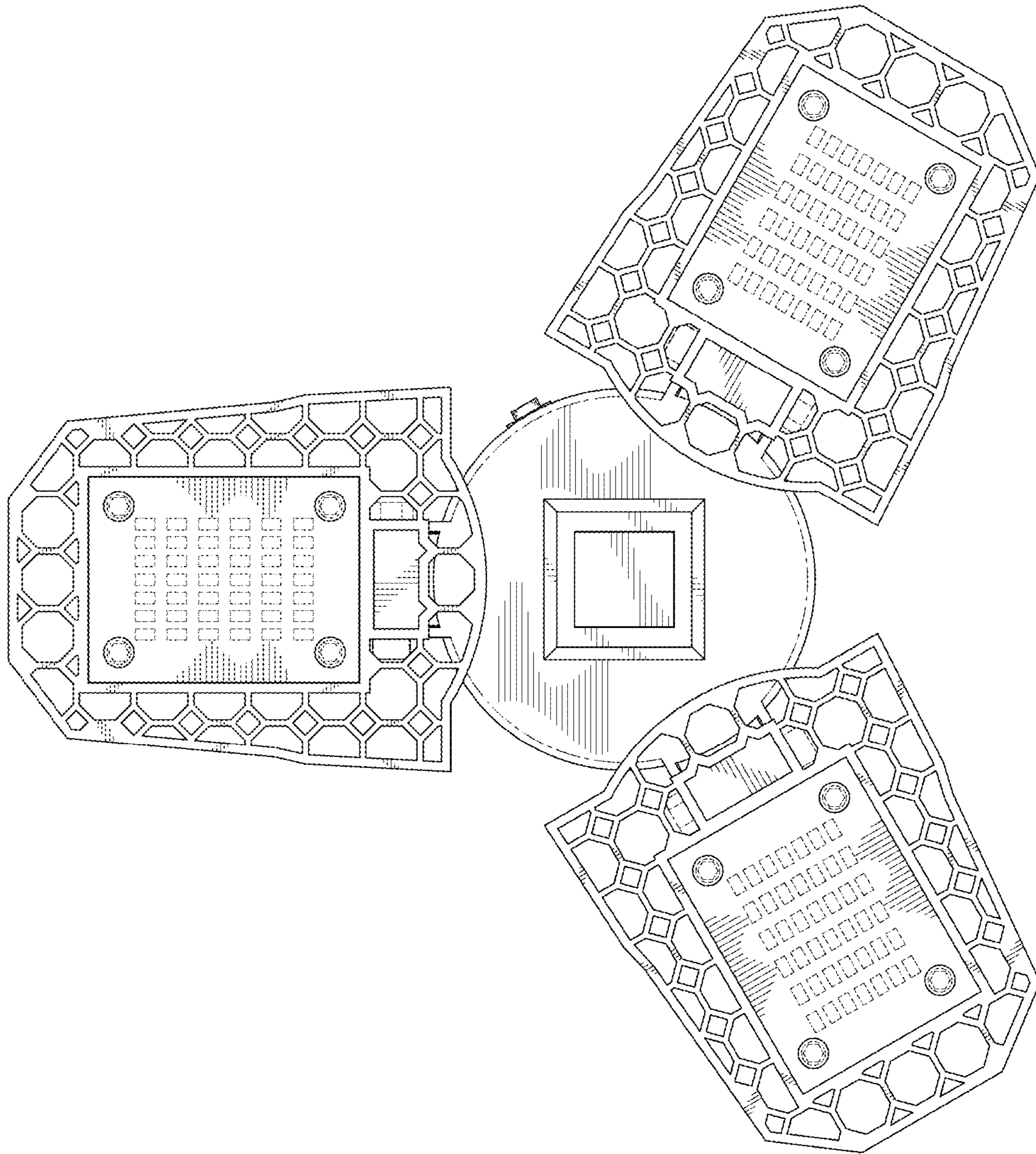


Fig.6

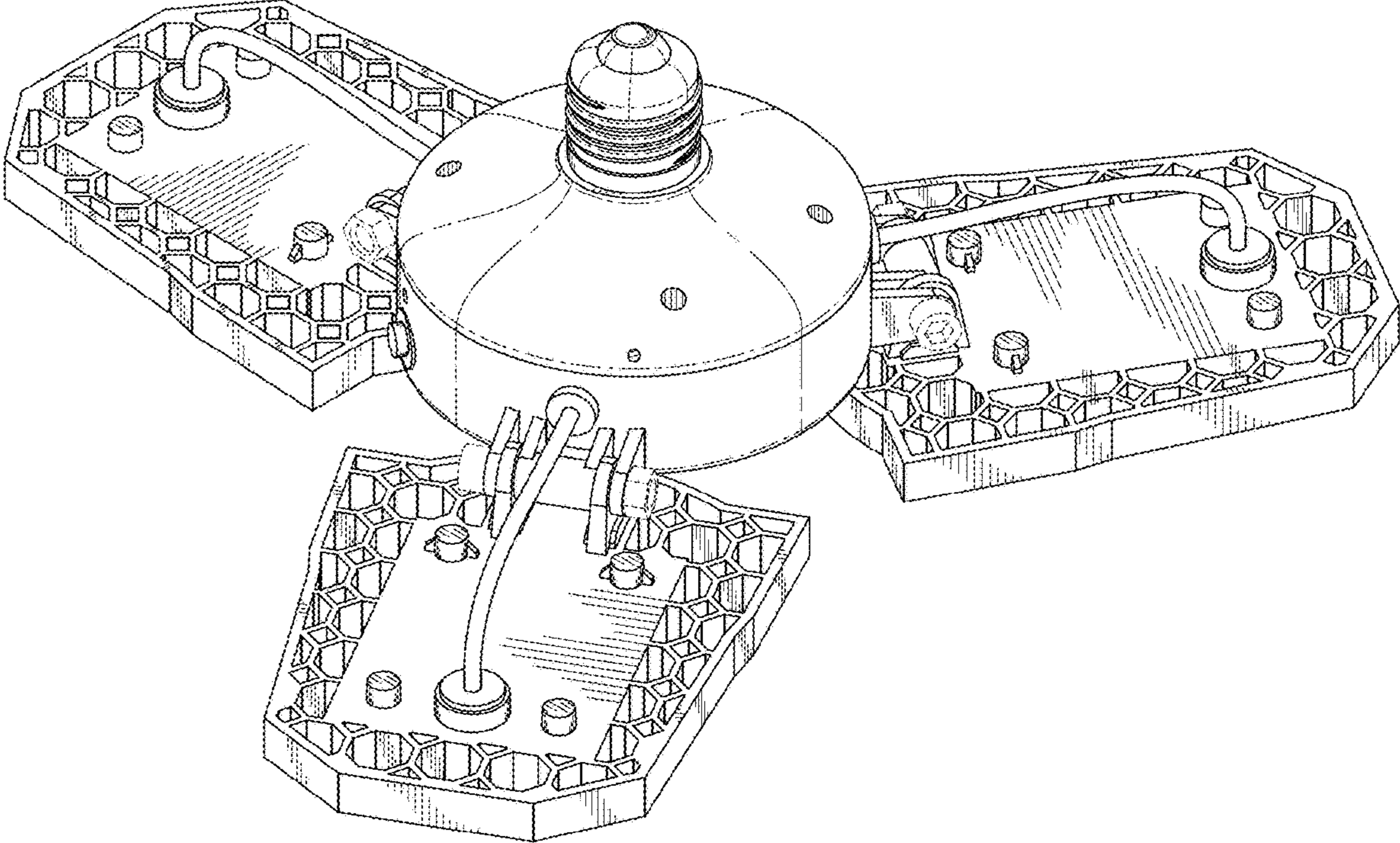


Fig.7