



US00D909647S

(12) **United States Design Patent**
Zhong

(10) **Patent No.:** **US D909,647 S**

(45) **Date of Patent:** **** Feb. 2, 2021**

(54) **LED LASER LIGHT**

(56) **References Cited**

(71) Applicant: **Huisheng Zhong**, Guangdong (CN)

U.S. PATENT DOCUMENTS

(72) Inventor: **Huisheng Zhong**, Guangdong (CN)

D302,594 S * 8/1989 Charet D26/63
D743,604 S * 11/2015 Kuo D26/63

(**) Term: **15 Years**

* cited by examiner

Primary Examiner — Brian N. Vinson

(21) Appl. No.: **29/691,768**

(57) **CLAIM**

The ornamental design for an LED laser light, as shown and described.

(22) Filed: **May 19, 2019**

DESCRIPTION

(30) **Foreign Application Priority Data**

Apr. 12, 2019 (CN) 2019 3 0167991

(51) **LOC (13) Cl.** **26-03**

(52) **U.S. Cl.**
USPC **D26/63**

(58) **Field of Classification Search**

USPC D26/24, 51, 61, 63, 72, 80

CPC F21S 8/04; F21S 8/00; F21W 2131/10;

F21V 21/00; F21V 21/26; F21V 21/14;

F21V 17/02; F21V 21/30

See application file for complete search history.

FIG. 1 is a top, front and left side perspective view of an LED laser light showing my new design;

FIG. 2 is a bottom, rear and right side perspective view thereof;

FIG. 3 is a front elevational view thereof;

FIG. 4 is a rear elevational view thereof;

FIG. 5 is a left side view thereof;

FIG. 6 is a right side view thereof;

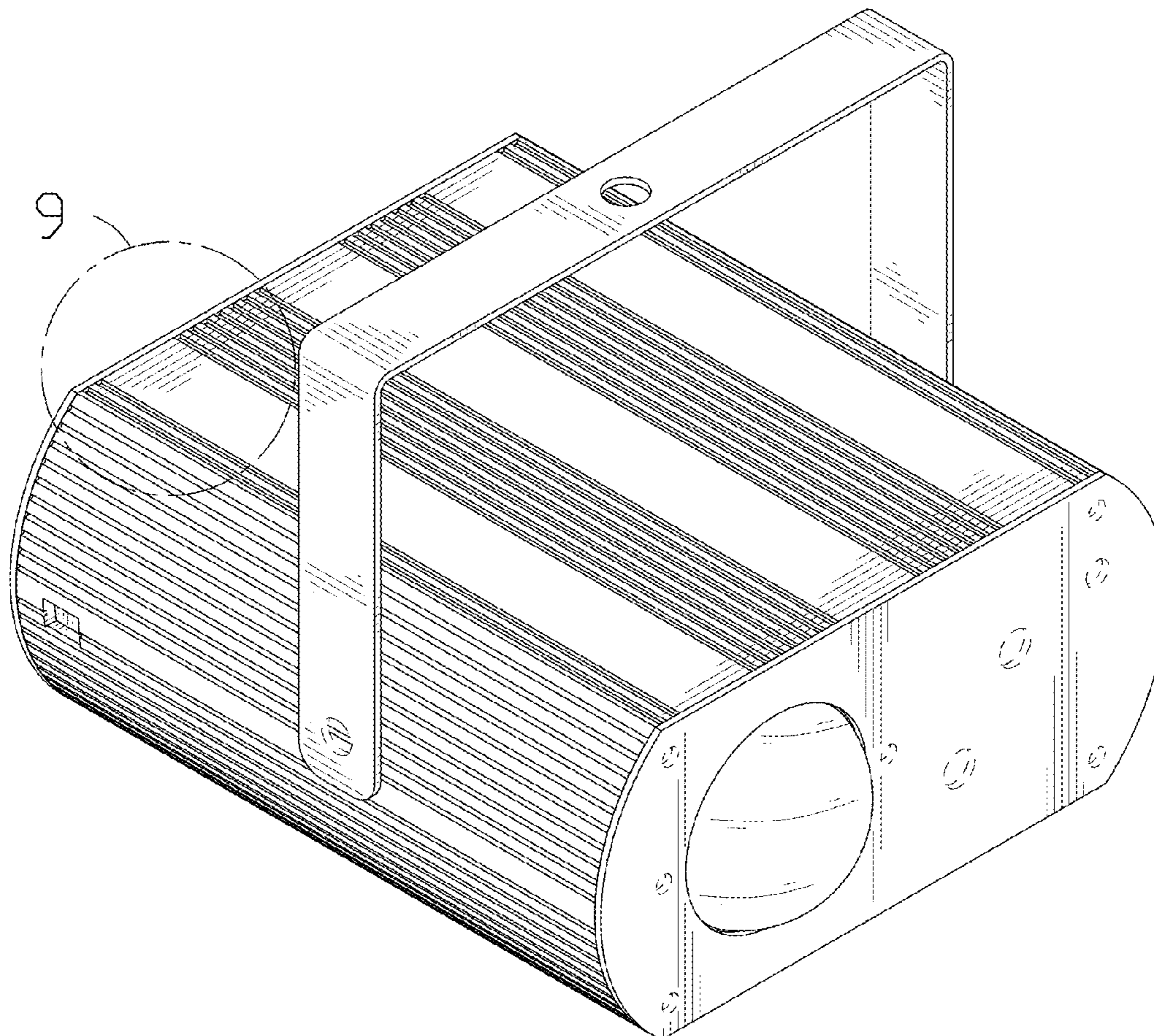
FIG. 7 is a top plan view thereof;

FIG. 8 is a bottom plan view thereof; and,

FIG. 9 is an enlarged view of portion 9 in FIG. 1.

The broken lines in the drawings illustrate portions of the LED laser light which form no part of the claimed design.

1 Claim, 9 Drawing Sheets



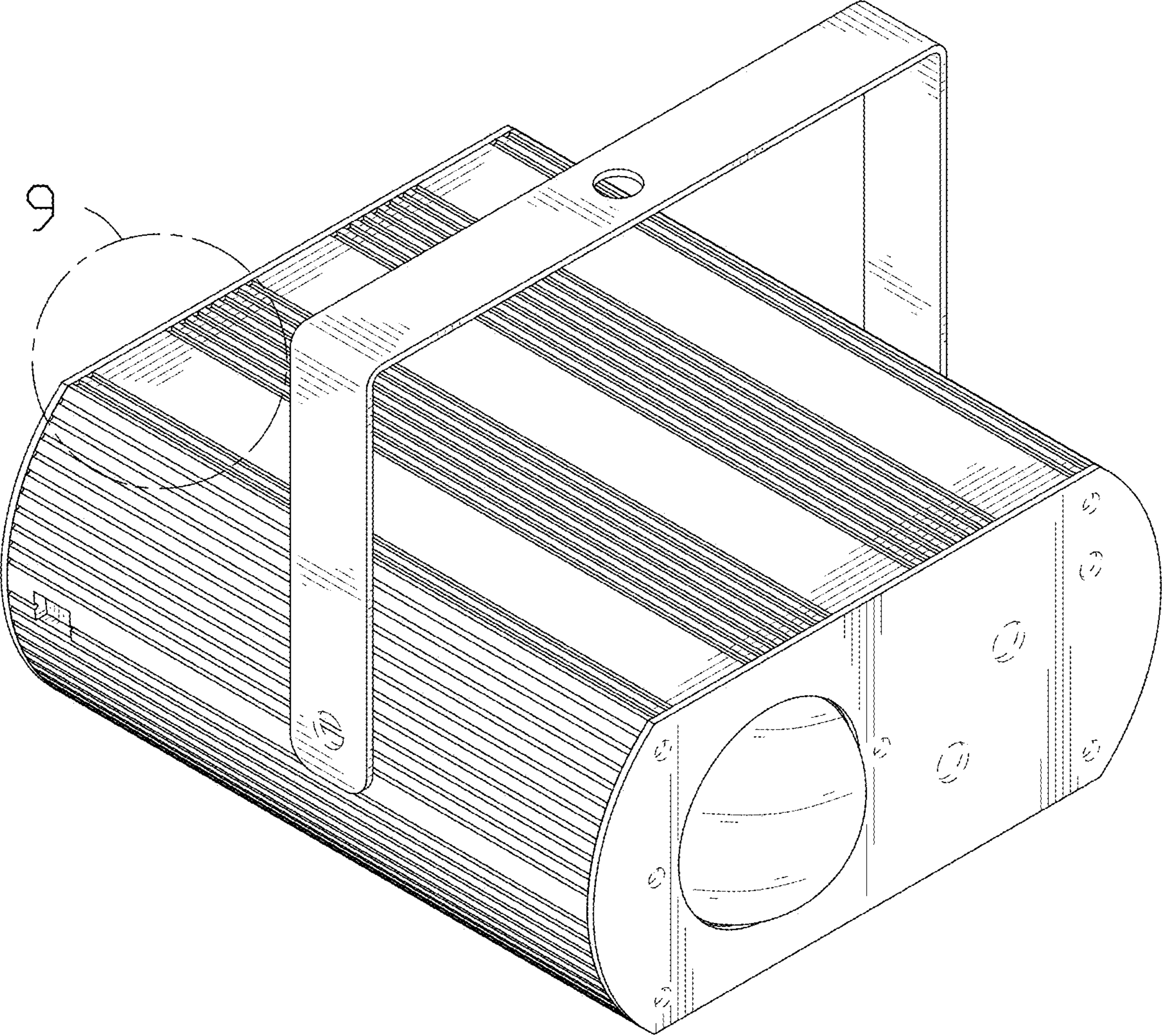


FIG. 1

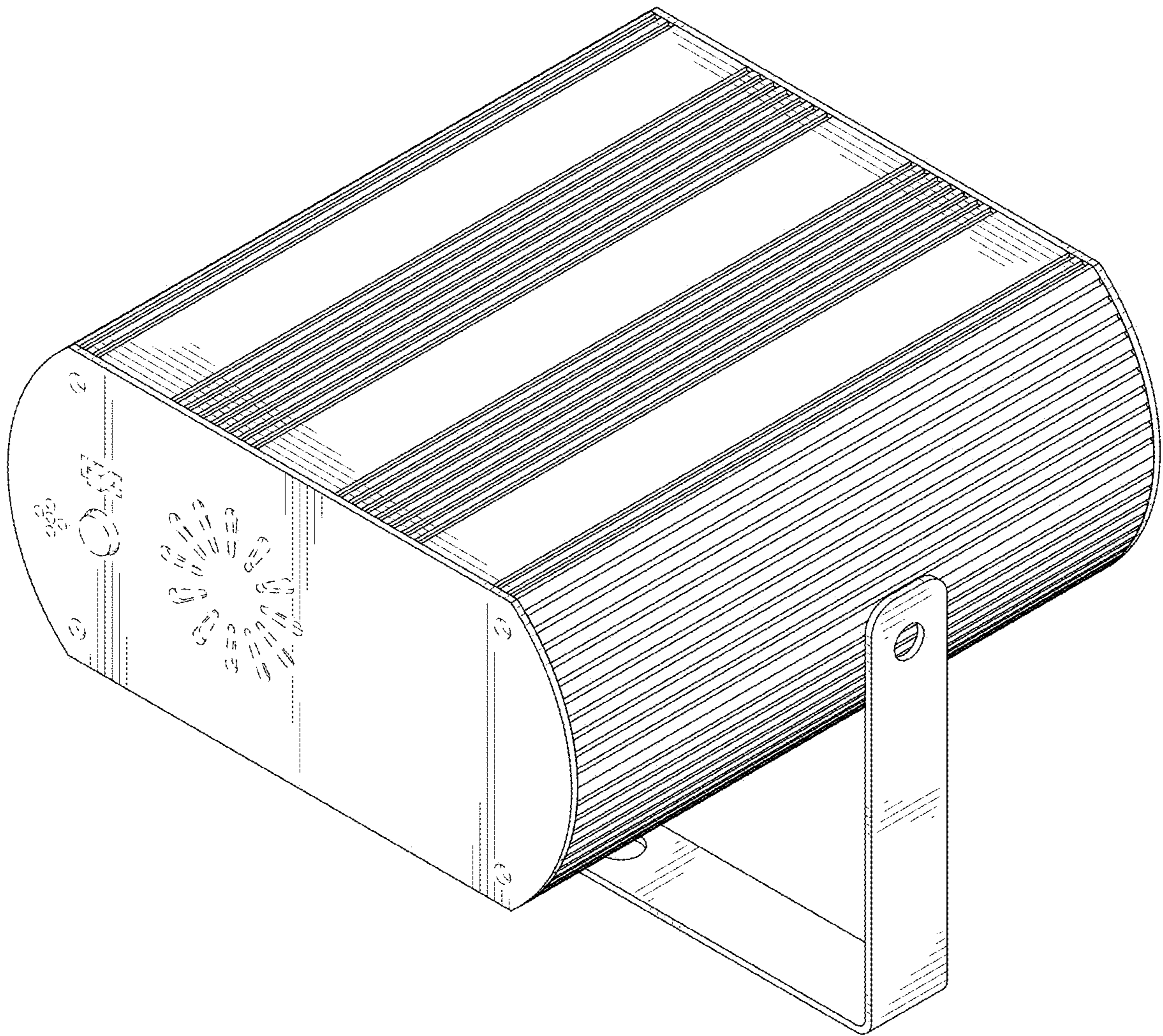


FIG. 2

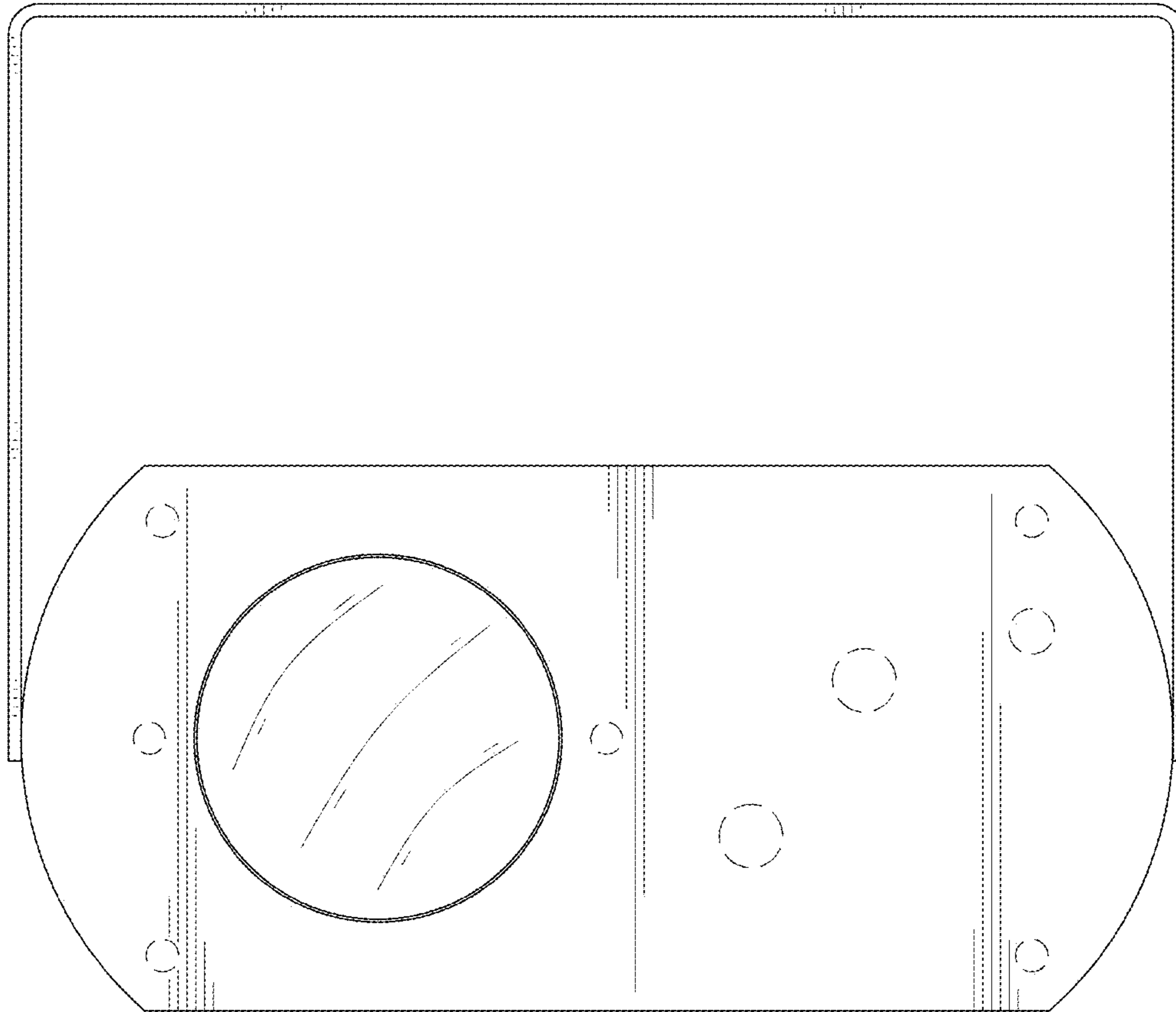


FIG. 3

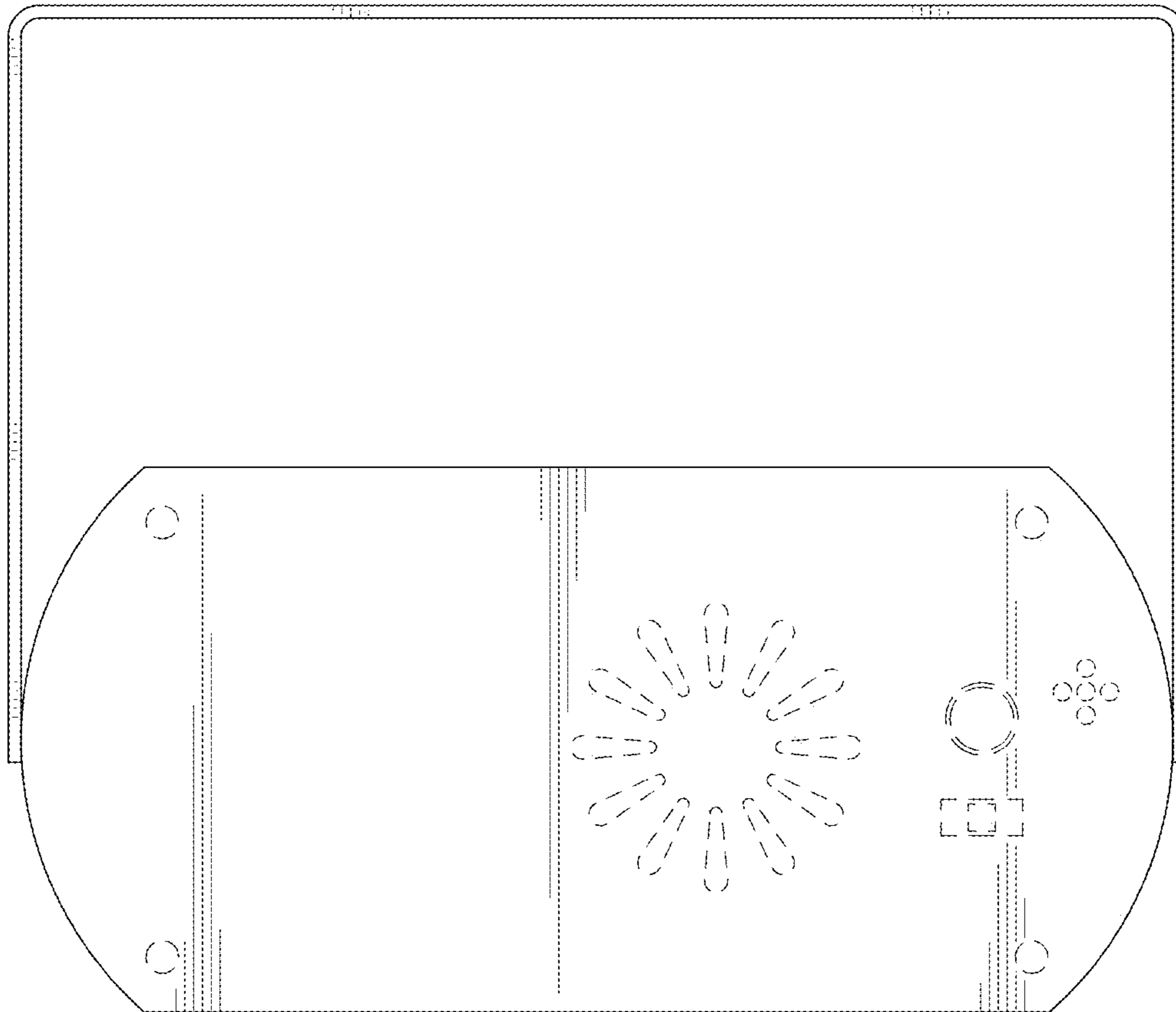


FIG. 4

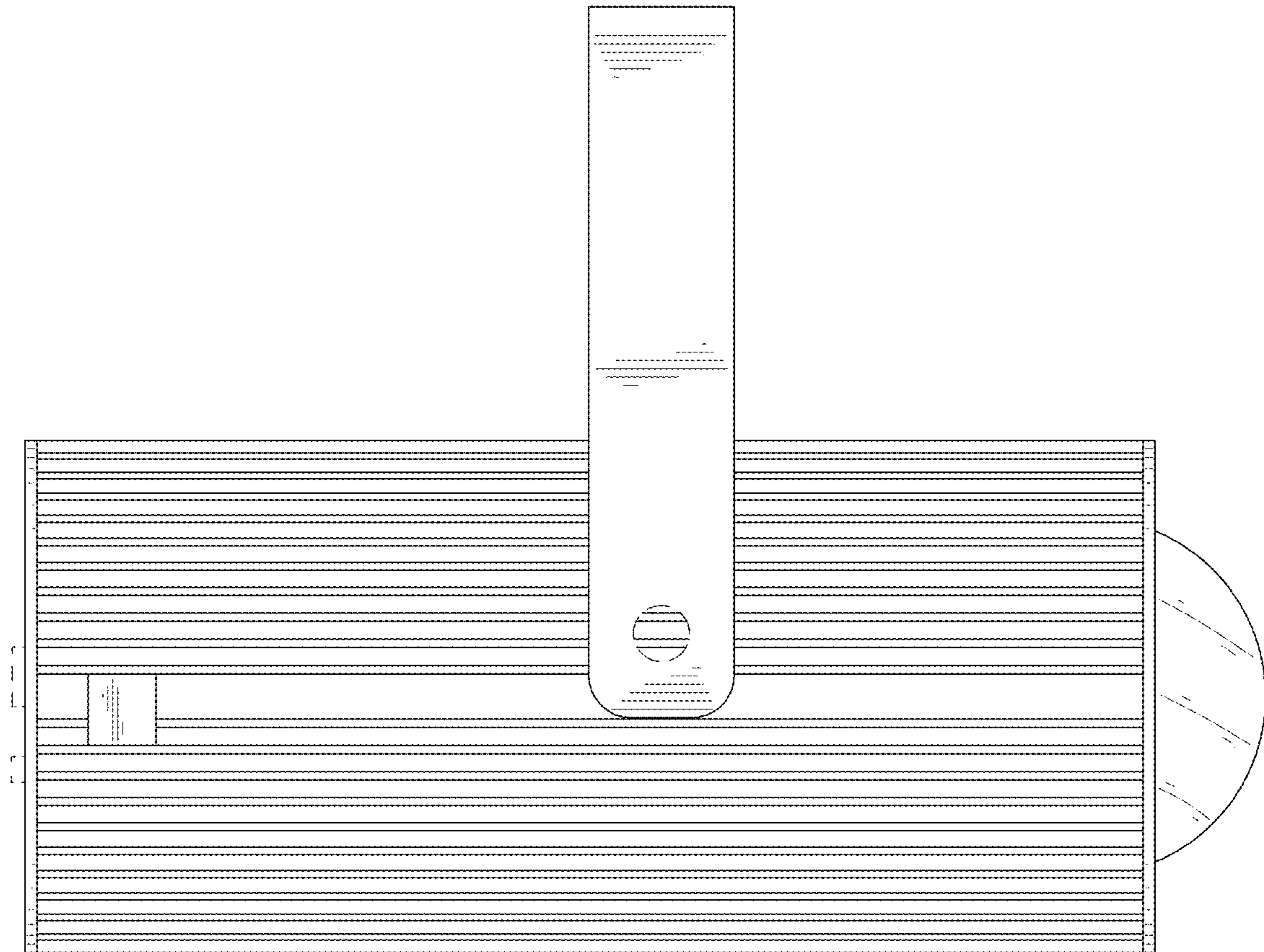


FIG. 5

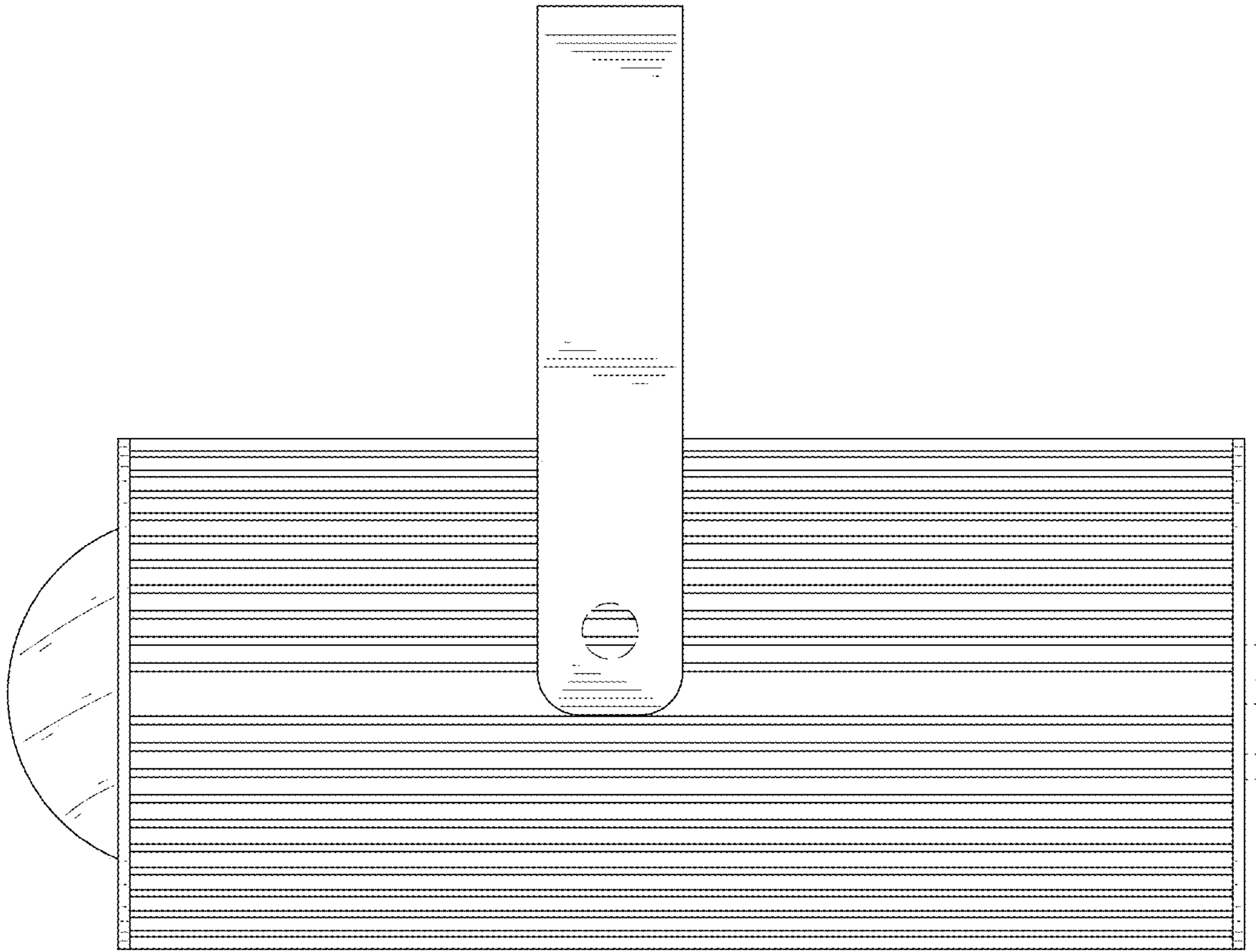


FIG. 6

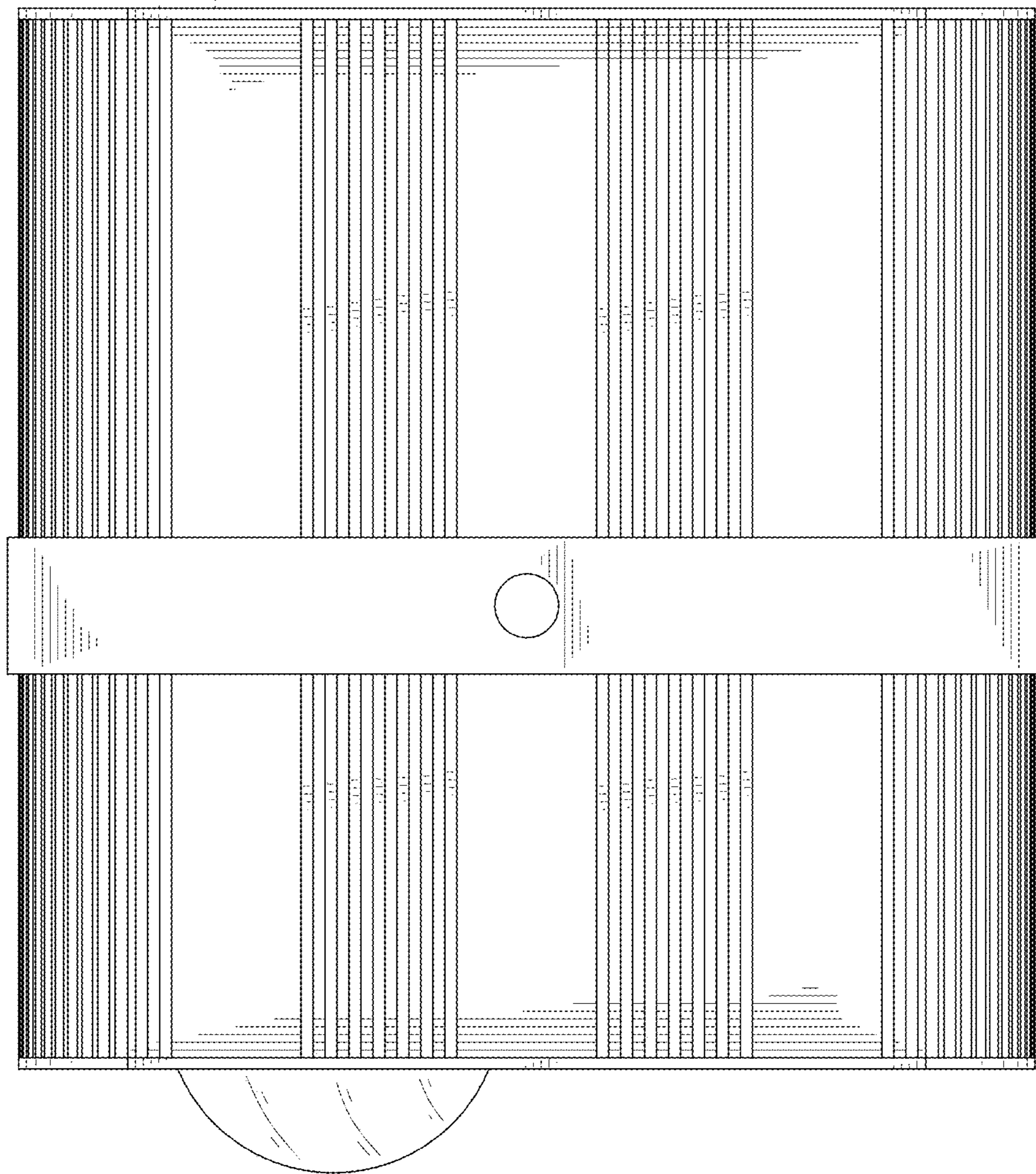


FIG. 7

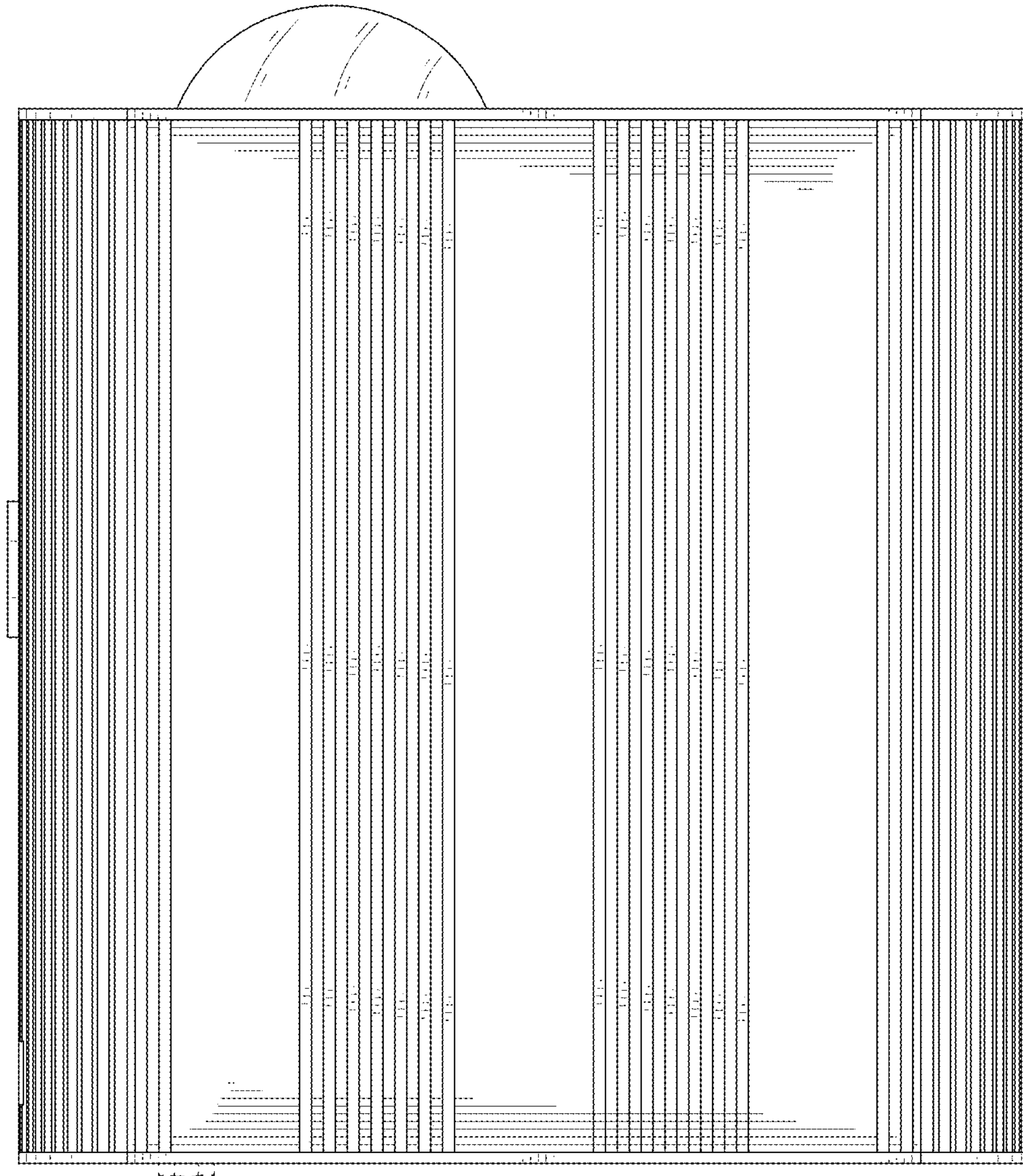


FIG. 8

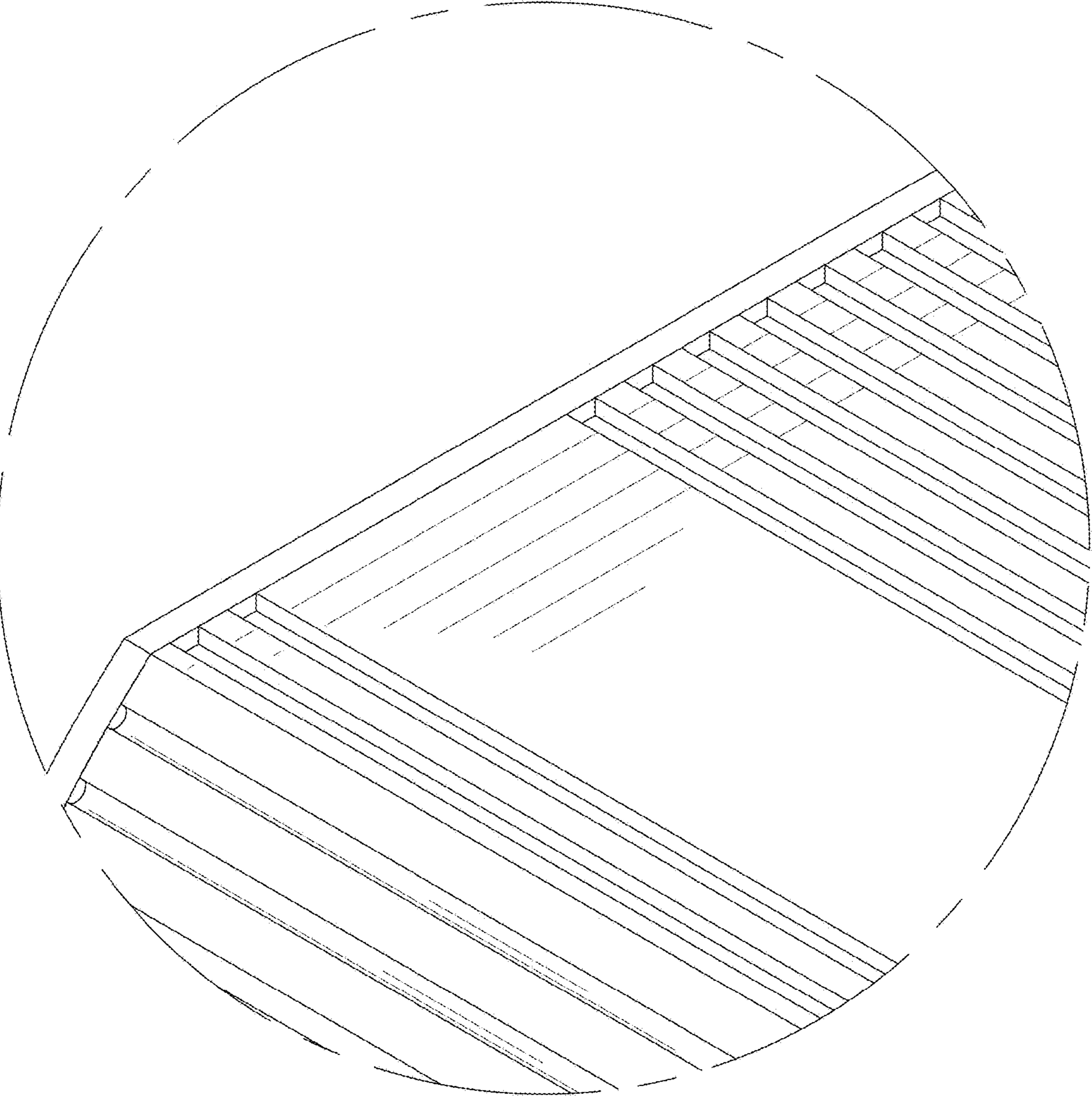


FIG. 9