



US00D909646S

(12) **United States Design Patent** (10) **Patent No.:** **US D909,646 S**  
**Saboo** (45) **Date of Patent:** **\*\* Feb. 2, 2021**

- (54) **CIRCULAR LIGHT**
- (71) Applicant: **West Coast Imports, Inc.**, Commerce, CA (US)
- (72) Inventor: **Vinay Saboo**, Commerce, CA (US)
- (73) Assignee: **West Coast Imports, Inc.**, Commerce, CA (US)
- (\*\*) Term: **15 Years**
- (21) Appl. No.: **29/671,409**
- (22) Filed: **Nov. 27, 2018**
- (51) **LOC (13) Cl.** ..... **26-05**
- (52) **U.S. Cl.**  
USPC ..... **D26/60**
- (58) **Field of Classification Search**  
USPC ..... D26/38, 40, 44, 49, 51, 60-61, 63-64, D26/72, 79, 85; D10/46, 49, 96, 102, D10/103; D6/512, 522, 553  
CPC ..... F21L 2003/00; F21L 4/00; F21L 4/005; F21L 4/02; F21L 4/025; F21L 4/027; F21L 4/04; F21L 4/08; F21L 2005/00; F21L 7/00; F21L 11/00; F21L 13/00; F21L 13/04;

(Continued)

(56) **References Cited**

**U.S. PATENT DOCUMENTS**

- D86,734 S \* 4/1932 Mitchell ..... D26/44
- 2,653,784 A \* 9/1953 Wasselle ..... F21V 21/26  
248/316.5

(Continued)

**FOREIGN PATENT DOCUMENTS**

- CN 3220172D 1/2002
- CN 201434216 Y 3/2010

(Continued)

**OTHER PUBLICATIONS**

amazon.com: i-Zoom Color Changing Dimmable Wireless Swivel Puck Lights. Date posted Jan. 17, 2020 [site visited Nov. 19, 2020].

Retrieved from internet: <[https://www.amazon.com/Changing-Dimmable-Wireless-Bedroom-Operated/dp/B083ZH4LT1/ref=sr\\_1\\_7?dchild=1&keywords=iZOOM&qid=1605797167&sr=8-7](https://www.amazon.com/Changing-Dimmable-Wireless-Bedroom-Operated/dp/B083ZH4LT1/ref=sr_1_7?dchild=1&keywords=iZOOM&qid=1605797167&sr=8-7)> (Year: 2020).\*  
dealgenius.com: 3pk i-Zoom Wireless Swivel Puck Lights w/ Remote—Color Changing. Undated online product page. Retrieved on Nov. 19, 2020 from <[https://www.dealgenius.com/3pk-i-zoom-wireless-swivel-puck-lights-w-remote-color-changing?gclid=EAlalQobChMl68j2jfCO7QIVtwilCR2xMwcYEAQYAyABEgiHEPD\\_BwE](https://www.dealgenius.com/3pk-i-zoom-wireless-swivel-puck-lights-w-remote-color-changing?gclid=EAlalQobChMl68j2jfCO7QIVtwilCR2xMwcYEAQYAyABEgiHEPD_BwE)> (Year: 2020).\*

(Continued)

*Primary Examiner* — Sheryl Lane  
*Assistant Examiner* — Stacey L Hopkins  
(74) *Attorney, Agent, or Firm* — Tarter Krinsky & Drogin LLP

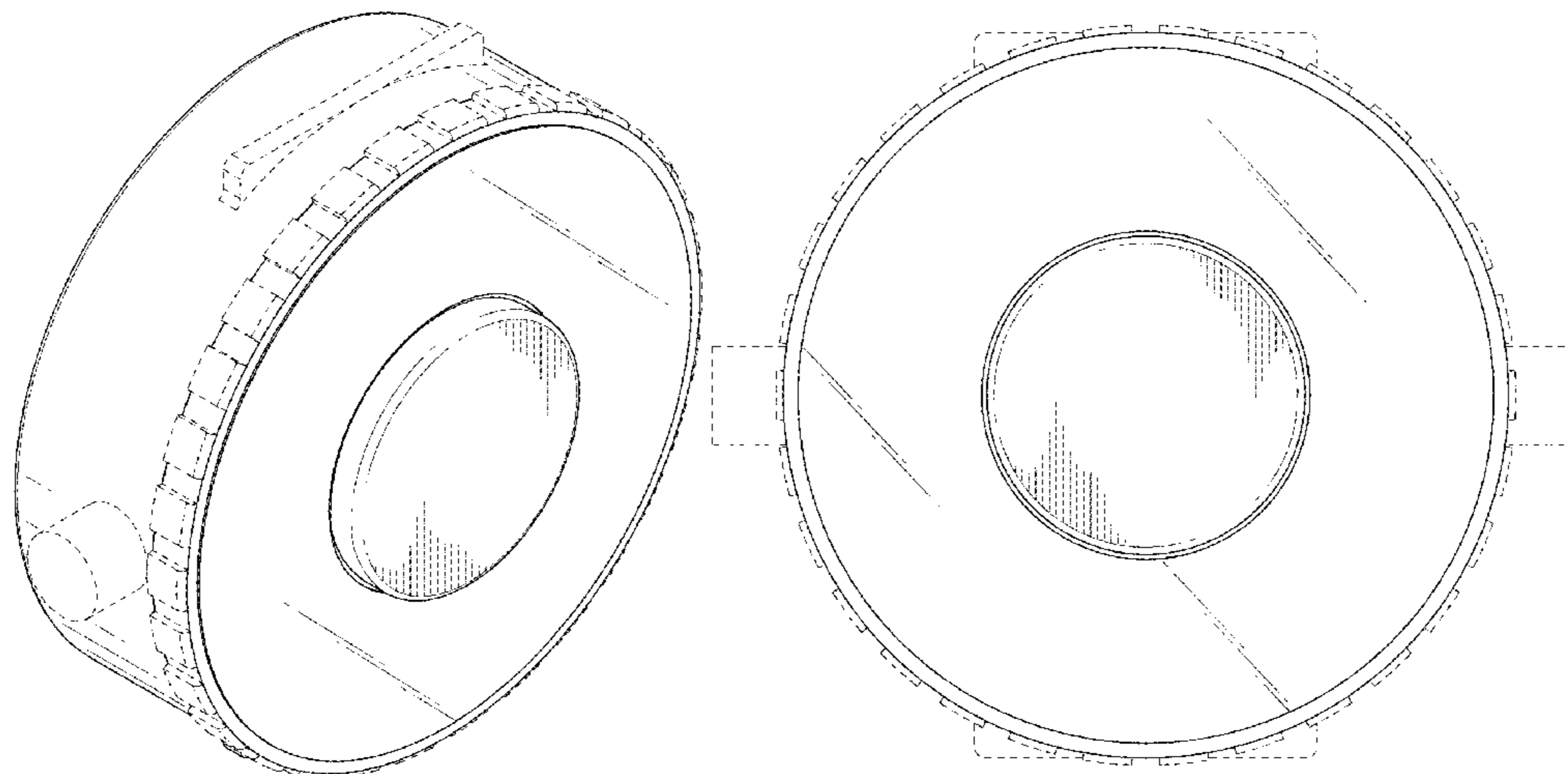
(57) **CLAIM**

The ornamental design for a circular light, as shown and described.

**DESCRIPTION**

FIG. 1 is a front perspective view of a first embodiment of a circular light;  
FIG. 2 is a front elevational view thereof;  
FIG. 3 is a rear elevational view thereof;  
FIG. 4 is a first side elevational view thereof;  
FIG. 5 is a second side elevational view thereof;  
FIG. 6 is a top plan view thereof;  
FIG. 7 is a bottom plan view thereof;  
FIG. 8 is a front perspective view of the first embodiment of the circular light shown in use;  
FIG. 9 is a front perspective view of a second embodiment of a circular light;  
FIG. 10 is a front elevational view thereof;  
FIG. 11 is a rear elevational view thereof;  
FIG. 12 is a first side elevational view thereof;  
FIG. 13 is a second side elevational view thereof;  
FIG. 14 is a top plan view thereof;  
FIG. 15 is a plan bottom view thereof; and,  
FIG. 16 is a front perspective view of the second embodiment of the circular light shown in use.  
The broken lines shown in the figures depict portions of the circular light that form no part of the claimed design.

**1 Claim, 16 Drawing Sheets**



(58) **Field of Classification Search**

CPC . F21L 13/08; F21L 14/02; F21L 17/00; F21L 19/00; F21Y 2115/10; F21V 21/08; F21V 23/023; F21V 23/0414; F21V 23/0471  
See application file for complete search history.

(56) **References Cited**

U.S. PATENT DOCUMENTS

D265,176 S \* 6/1982 Bock ..... D34/39  
D282,491 S \* 2/1986 Doyel ..... D26/40  
4,888,670 A 12/1989 Sharrah  
D324,924 S \* 3/1992 Bengochea ..... D26/77  
D346,821 S \* 5/1994 Smith ..... 347/88  
5,765,683 A \* 6/1998 Starkle ..... A45D 40/18  
  
D415,297 S \* 10/1999 Chung ..... D26/28  
D447,587 S \* 9/2001 Poon ..... D26/39  
D464,455 S \* 10/2002 Fong ..... D26/63  
D476,105 S \* 6/2003 Alsobrook ..... D26/51  
D544,618 S \* 6/2007 Coushaine ..... D26/37  
D547,483 S \* 7/2007 Pickett ..... D26/59  
7,264,372 B2 9/2007 Maglica  
D556,938 S \* 12/2007 Russello ..... D26/89  
D558,386 S \* 12/2007 Bickler ..... D26/89  
D568,516 S \* 5/2008 Hillard ..... D26/60  
D581,081 S \* 11/2008 Mier-Langner ..... D26/72  
D582,593 S \* 12/2008 Cheng ..... D26/63  
D583,981 S \* 12/2008 Meyer ..... D26/89  
D583,982 S \* 12/2008 Meyer ..... D26/89  
D583,983 S \* 12/2008 Meyer ..... D26/89  
D596,336 S \* 7/2009 Sabernig ..... D26/88  
D599,947 S \* 9/2009 Sabernig ..... D26/88  
D601,444 S \* 10/2009 Jones ..... D10/103  
D602,185 S \* 10/2009 Chang ..... D26/36  
D612,970 S \* 3/2010 Sharrah ..... D26/60  
D621,081 S \* 8/2010 Abernethy ..... D26/60  
D628,323 S \* 11/2010 Matthews ..... D26/24  
D628,324 S \* 11/2010 Matthews ..... D26/24  
D630,368 S \* 1/2011 de Rijck ..... D26/89  
D633,240 S \* 2/2011 Cheng ..... D26/60  
D633,644 S \* 3/2011 Sprengers ..... D26/89  
D637,751 S \* 5/2011 Chiu ..... D26/63  
D640,815 S \* 6/2011 Yamada ..... D26/63  
D641,518 S \* 7/2011 Van den Akker ..... D26/89  
D646,821 S \* 10/2011 Wauters ..... D26/63  
D646,824 S \* 10/2011 Bembridge ..... D26/67  
D656,657 S \* 3/2012 Wauters ..... D26/89  
D657,090 S \* 4/2012 Kaule ..... D26/138  
D663,470 S \* 7/2012 Ruiz ..... D26/88  
D663,880 S \* 7/2012 Janssen ..... D26/74  
D664,698 S \* 7/2012 Meise ..... D26/74  
D667,985 S \* 9/2012 Gielen ..... D26/89  
D674,944 S \* 1/2013 Bertken ..... D26/39  
D676,598 S \* 2/2013 Davidson ..... D26/138  
D676,992 S \* 2/2013 Trude ..... D26/39  
D676,999 S \* 2/2013 Morgan ..... D26/128  
8,393,755 B2 3/2013 Chien  
D682,451 S \* 5/2013 Hardy ..... D26/60  
D689,648 S \* 9/2013 Silver ..... D26/88  
D692,611 S \* 10/2013 Silver ..... D26/138  
D708,378 S \* 7/2014 Recker ..... D26/61  
D711,034 S \* 8/2014 Sturgis ..... D26/71  
D718,286 S \* 11/2014 Yang ..... D14/223  
D734,518 S \* 7/2015 Zimmermann ..... D26/39  
D740,474 S \* 10/2015 Pineau ..... D26/37  
D757,307 S \* 5/2016 Wallach ..... D26/24  
D759,877 S \* 6/2016 Hewitt ..... D26/89  
D765,903 S \* 9/2016 Zhang ..... D26/89  
D766,480 S \* 9/2016 Bo ..... D26/60  
D768,322 S \* 10/2016 Feustel ..... D26/60  
9,605,836 B2 3/2017 Sharrah et al.  
D788,344 S \* 5/2017 Gecchelin ..... D26/63

D796,098 S \* 8/2017 Grandadam ..... D26/39  
9,719,658 B2 8/2017 Maglica et al.  
D801,574 S \* 10/2017 Amato ..... D26/118  
D808,565 S \* 1/2018 Ambrozus ..... D26/74  
9,857,038 B2 \* 1/2018 Coakley ..... F21V 21/30  
D810,354 S 2/2018 Farnsworth  
D812,178 S \* 3/2018 Galli ..... D22/108  
D814,930 S \* 4/2018 Tremayne ..... D9/435  
10,006,614 B2 \* 6/2018 Cramer ..... F21V 17/105  
D823,510 S \* 7/2018 Kunzendorf ..... D26/49  
10,174,918 B2 \* 1/2019 Li ..... F21V 15/01  
D840,070 S \* 2/2019 Cramer ..... D26/37  
D840,582 S \* 2/2019 Liu ..... D26/104  
D852,397 S \* 6/2019 Medvec ..... D26/60  
D857,261 S \* 8/2019 Xie ..... D26/28  
D857,268 S \* 8/2019 Worman ..... D26/60  
D857,960 S \* 8/2019 Worman ..... D26/60  
D867,625 S \* 11/2019 Khubani ..... D26/24  
D871,944 S \* 1/2020 Pennebaker, III ..... D10/83  
D884,947 S \* 5/2020 Tang ..... D26/60  
D887,063 S \* 6/2020 Speier ..... D26/74  
D887,064 S \* 6/2020 Speier ..... D26/74  
D888,021 S \* 6/2020 Telle ..... D14/221  
D891,675 S \* 7/2020 Liu ..... D26/85  
D893,083 S \* 8/2020 Cornelissen ..... D26/88  
2002/0137374 A1 \* 9/2002 O'Rourke ..... F21V 23/02  
  
2006/0083009 A1 \* 4/2006 Hsu ..... F21L 4/06  
  
2008/0013307 A1 1/2008 Kang  
2009/0196034 A1 \* 8/2009 Gherardini ..... F21K 9/00  
  
2017/0074498 A1 3/2017 Inscore  
2020/0363021 A1 \* 11/2020 Feit ..... F21K 9/233

FOREIGN PATENT DOCUMENTS

CN 301695783 S 10/2011  
CN 301787817 S 1/2012  
CN 301854766 S 3/2012  
CN 301979679 S 7/2012  
CN 203115529 U 8/2013  
CN 302664669 S 11/2013  
CN 302737556 S 2/2014  
CN 302827314 S 5/2014  
CN 302897126 S 7/2014  
CN 204314069 U 5/2015  
CN 303278712 S 7/2015  
CN 303332260 S 8/2015  
CN 303512223 S 12/2015  
CN 101674320 B1 11/2016  
CN 304007722 S 1/2017  
CN 206164907 U 5/2017  
CN 304237106 S 8/2017  
CN 304754103 S 7/2018  
JP D1145154 7/2002  
JP D1498517 6/2014  
JP D1513428 12/2014  
JP 305241710 S 7/2019  
JP 305262032 S 7/2019  
KR 300407030 2/2006

OTHER PUBLICATIONS

youtube.com: 3pk i-Zoom Wireless Swivel Puck Lights w/ Remote—Color Changing. Posted by Deal Genius on YouTube. Date uploaded: Dec. 20, 2019 [site visited Nov. 19, 2020]. Retrieved from internet: <[https://www.youtube.com/watch?v=\\_BsfymU7Dlc](https://www.youtube.com/watch?v=_BsfymU7Dlc)> (Year: 2019).  
walmart.com: i-Zoom (3 Pack) Color Changing Puck Lights. Undated online product page. Retrieved on Nov. 19, 2020 from <<https://www.walmart.com/ip/i-Zoom-3-Pack-Color-Changing-Puck-Lights-For-Bedroom-With-Remote-For-Closet-Room-Decor-Night-Light-Battery-Operated-Lights/925812175>> (Year: 2020).\*

\* cited by examiner

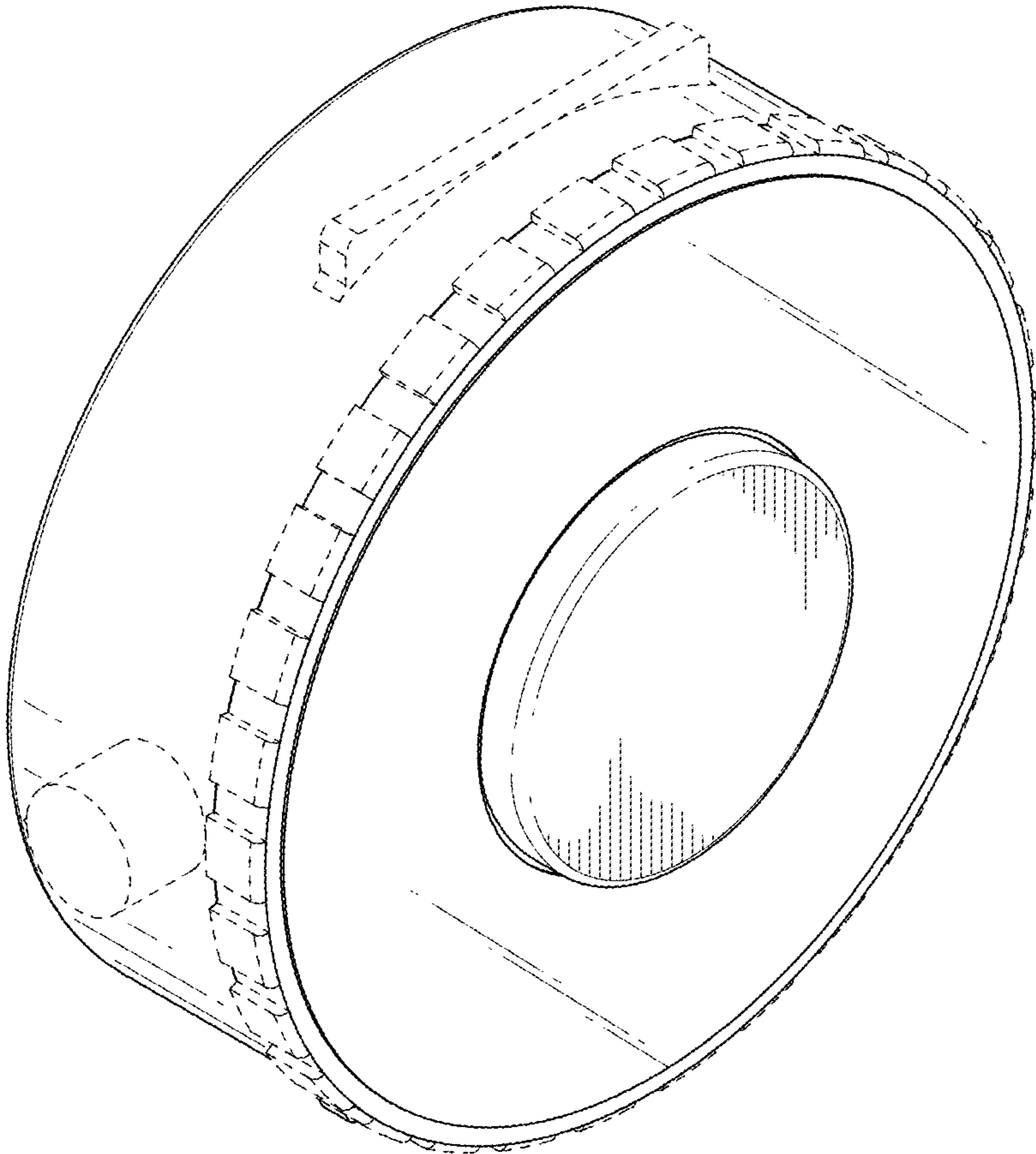


FIG. 1

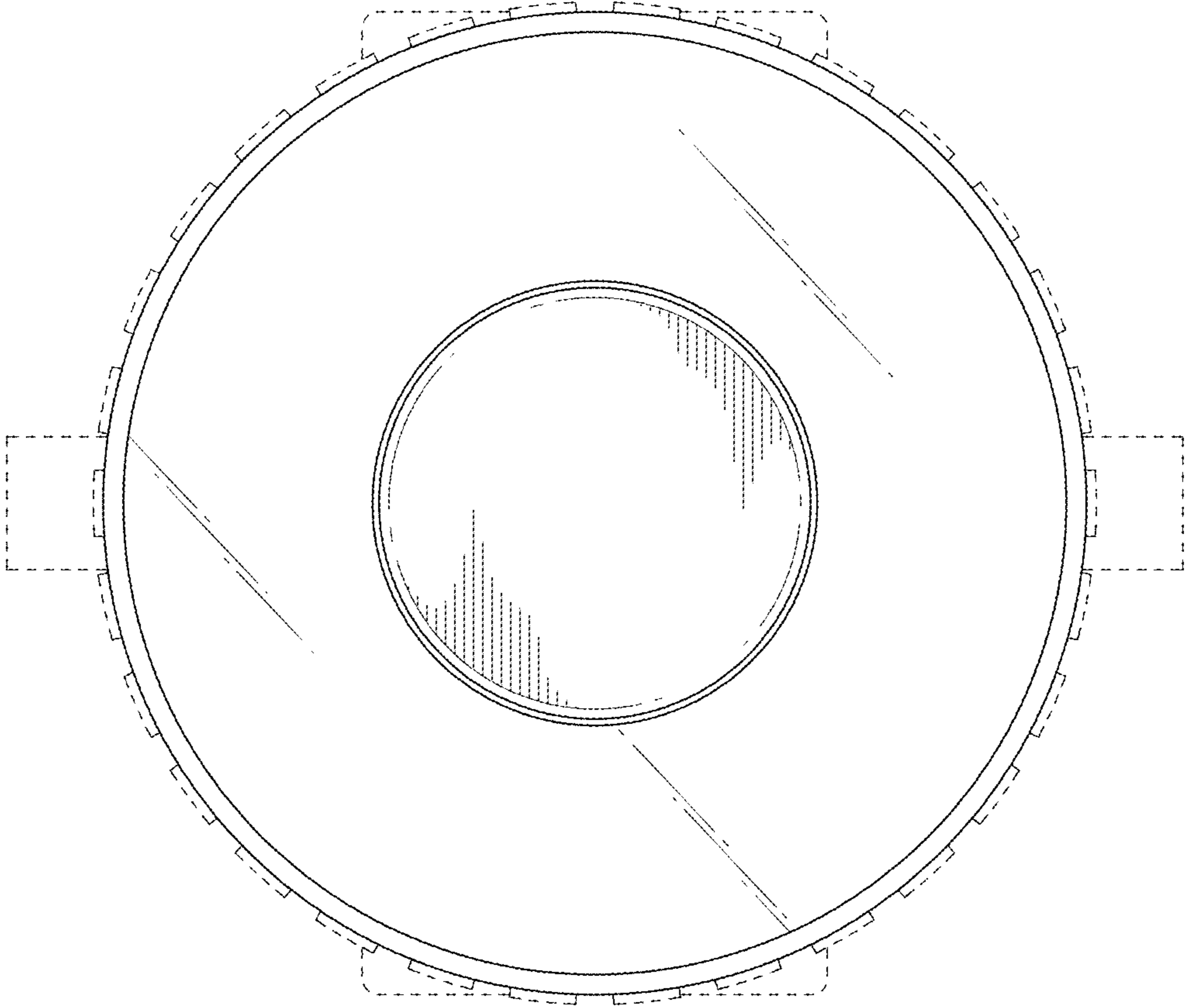


FIG.2

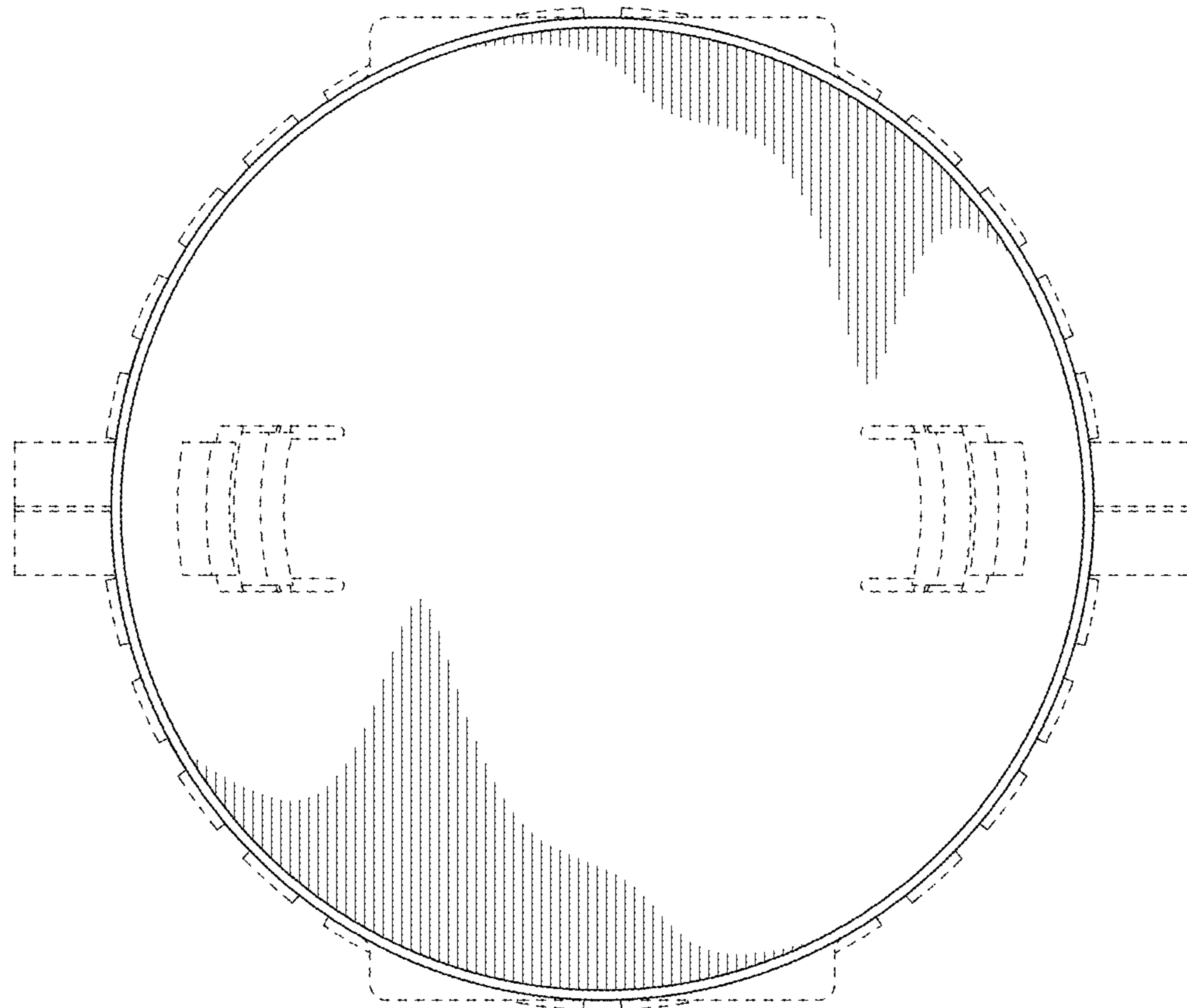


FIG. 3

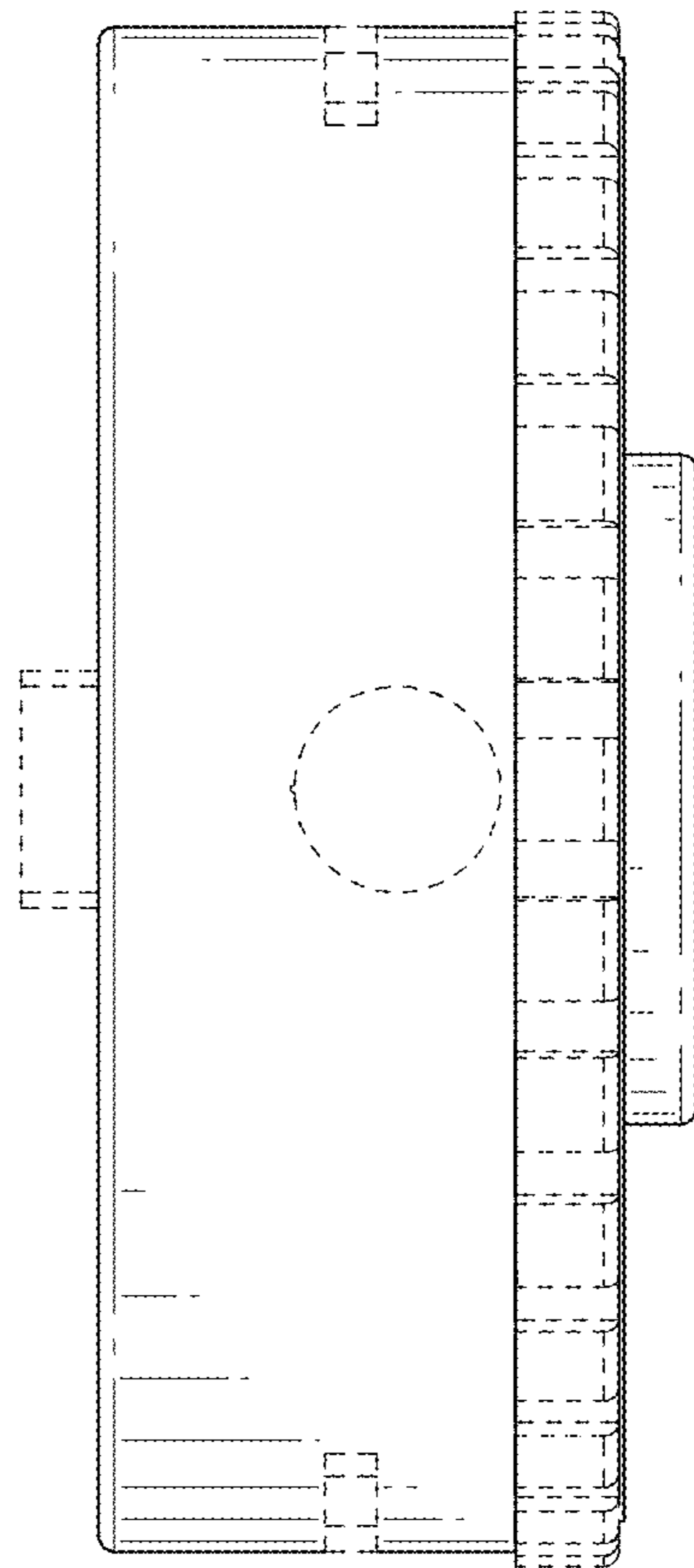


FIG.4

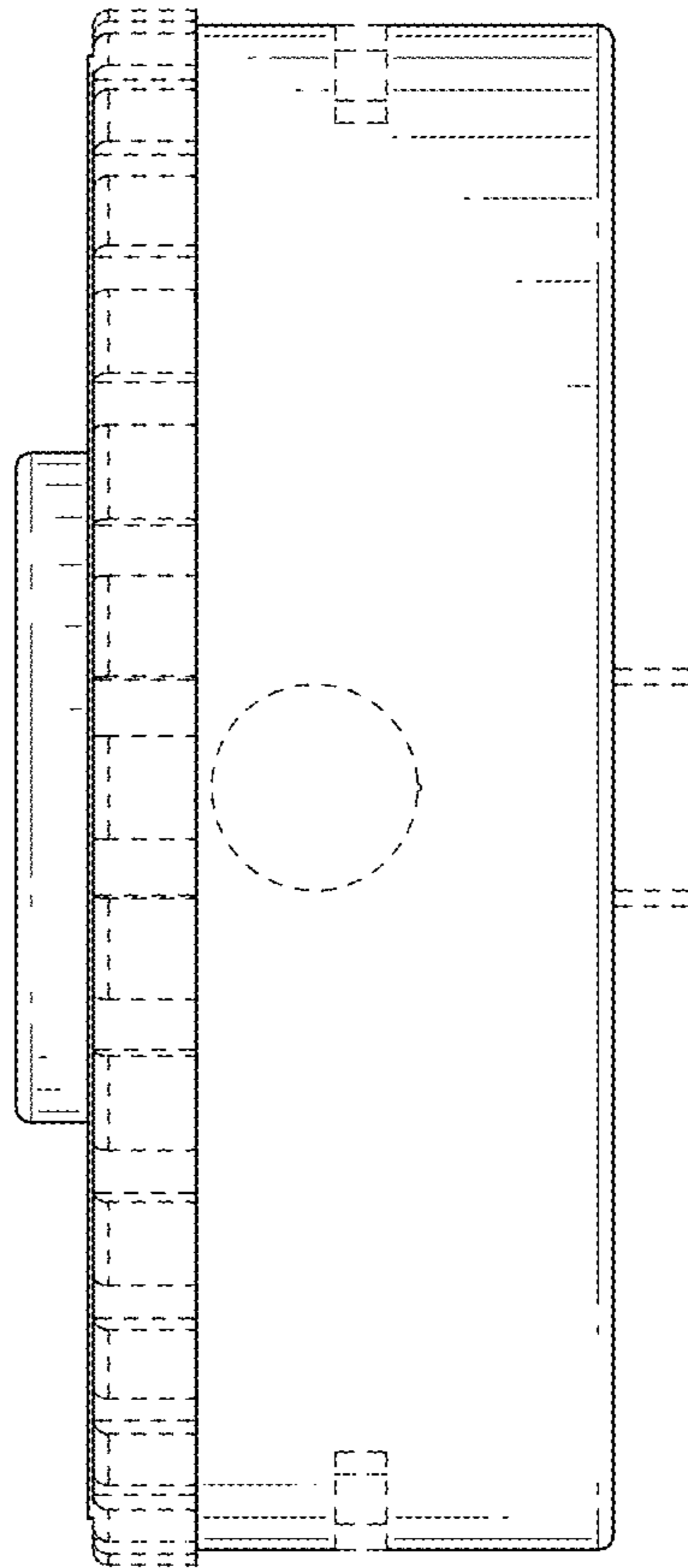


FIG.5

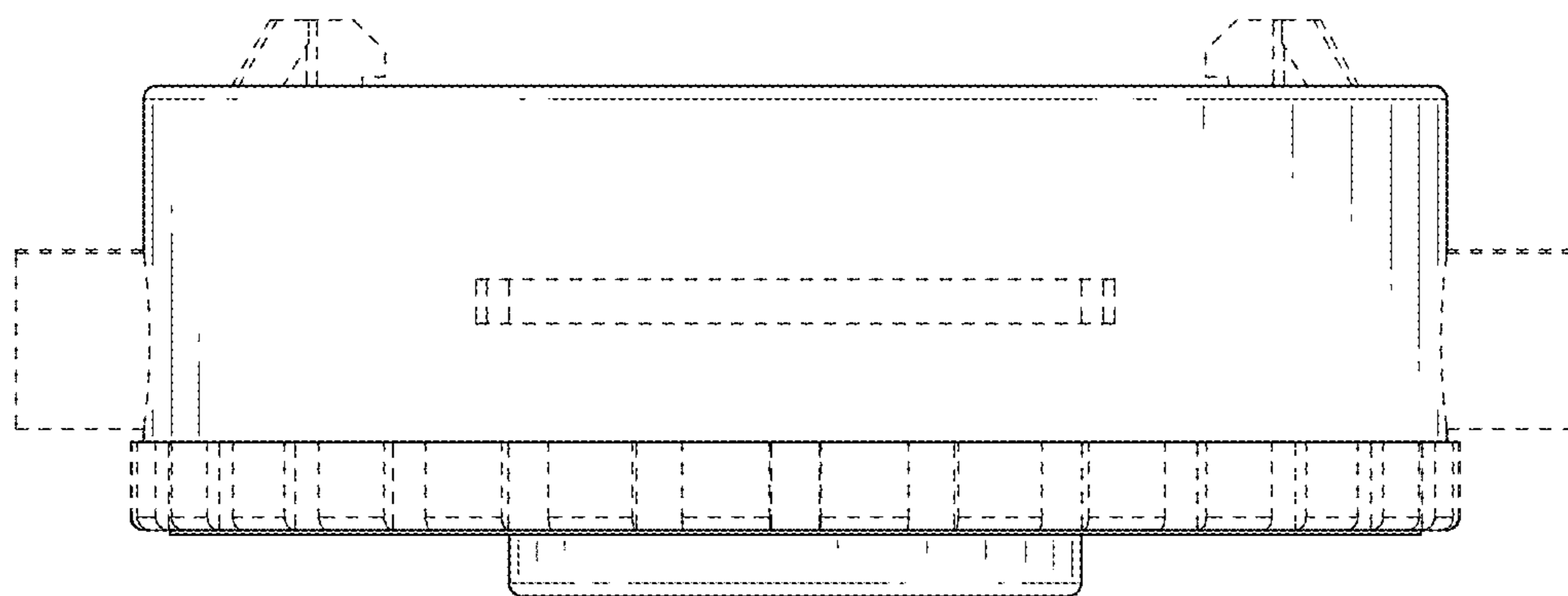


FIG. 6



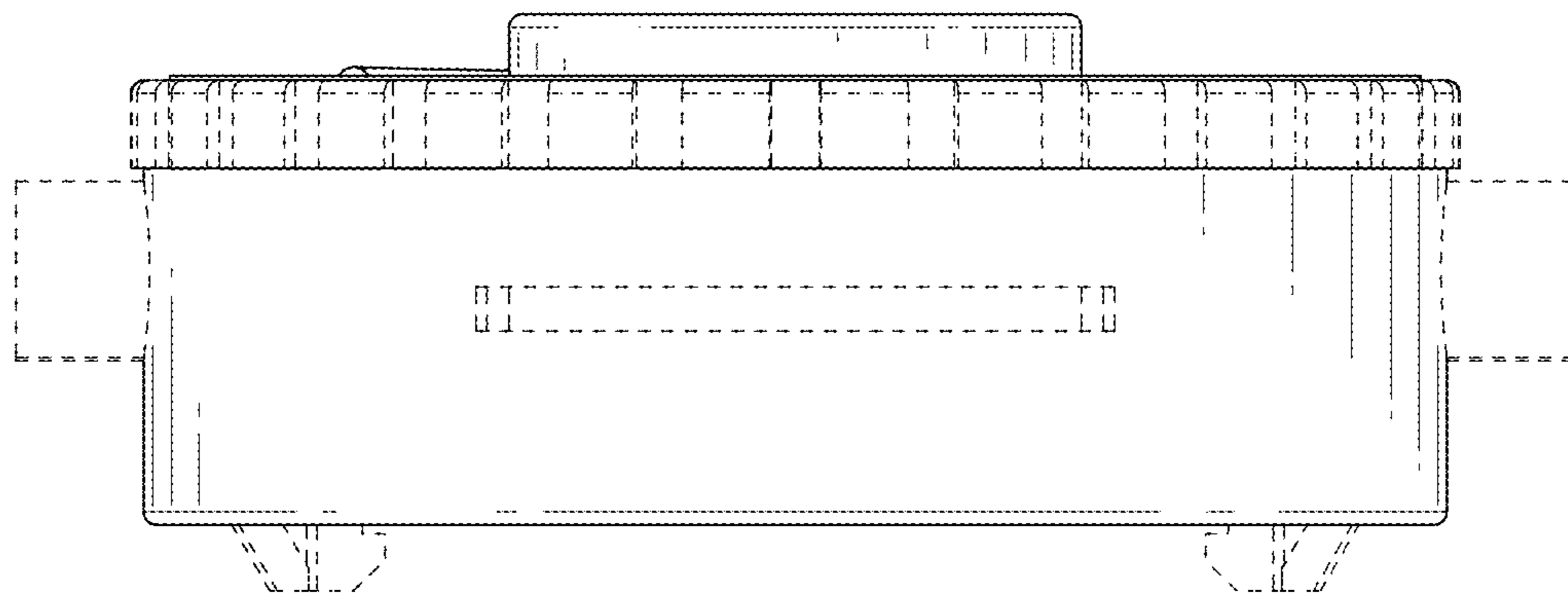


FIG. 7

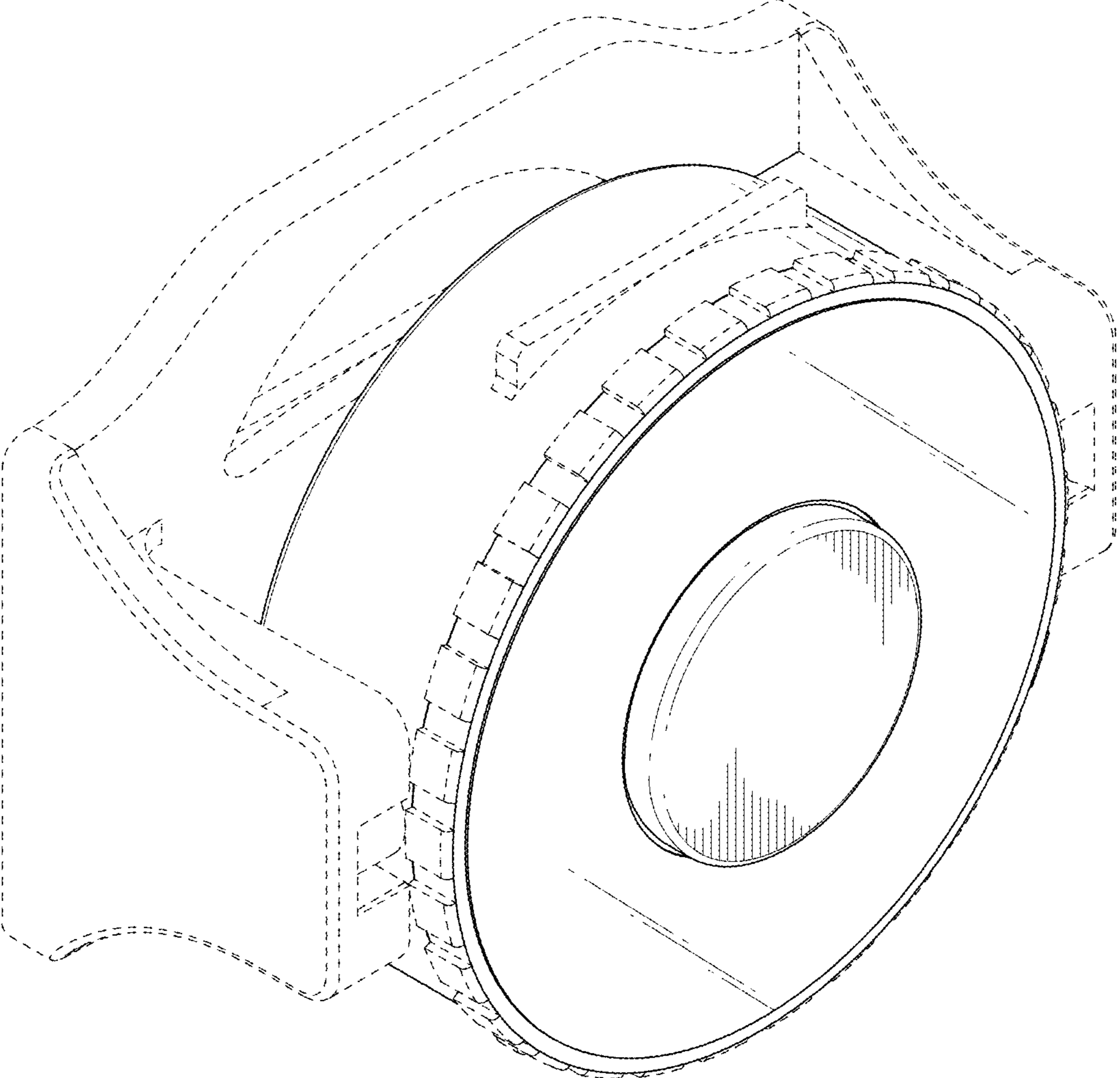


FIG.8

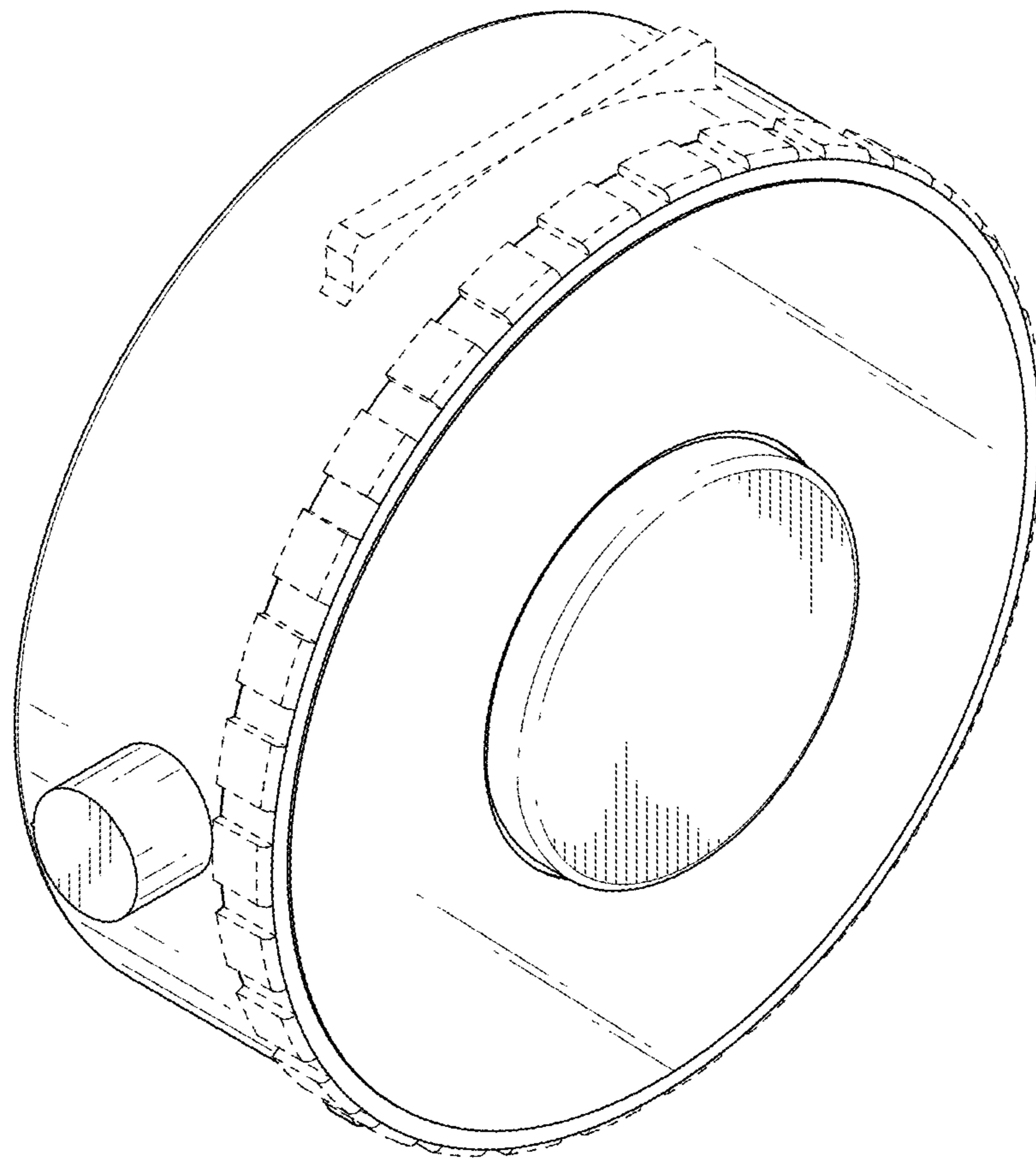


FIG.9

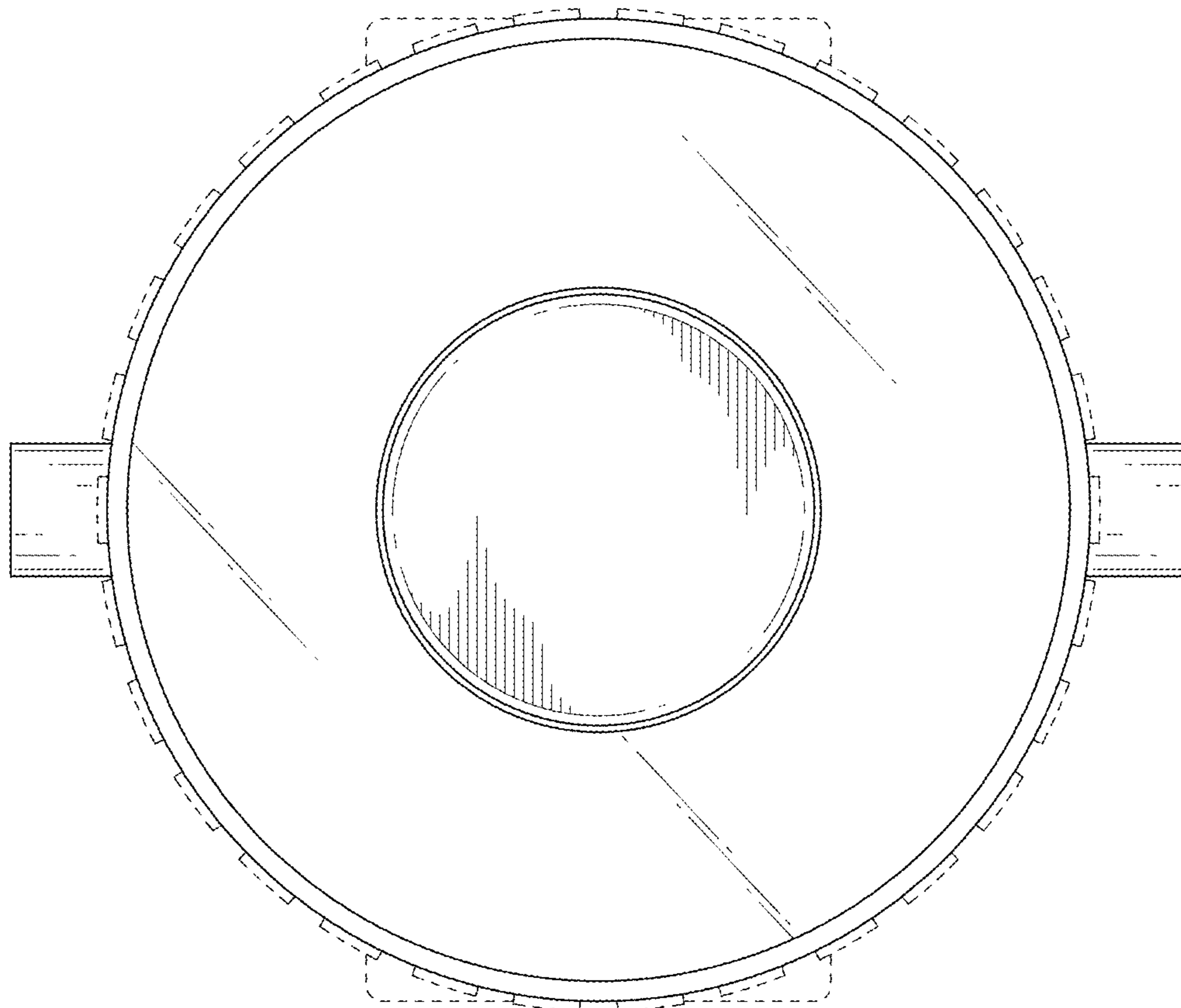


FIG. 10

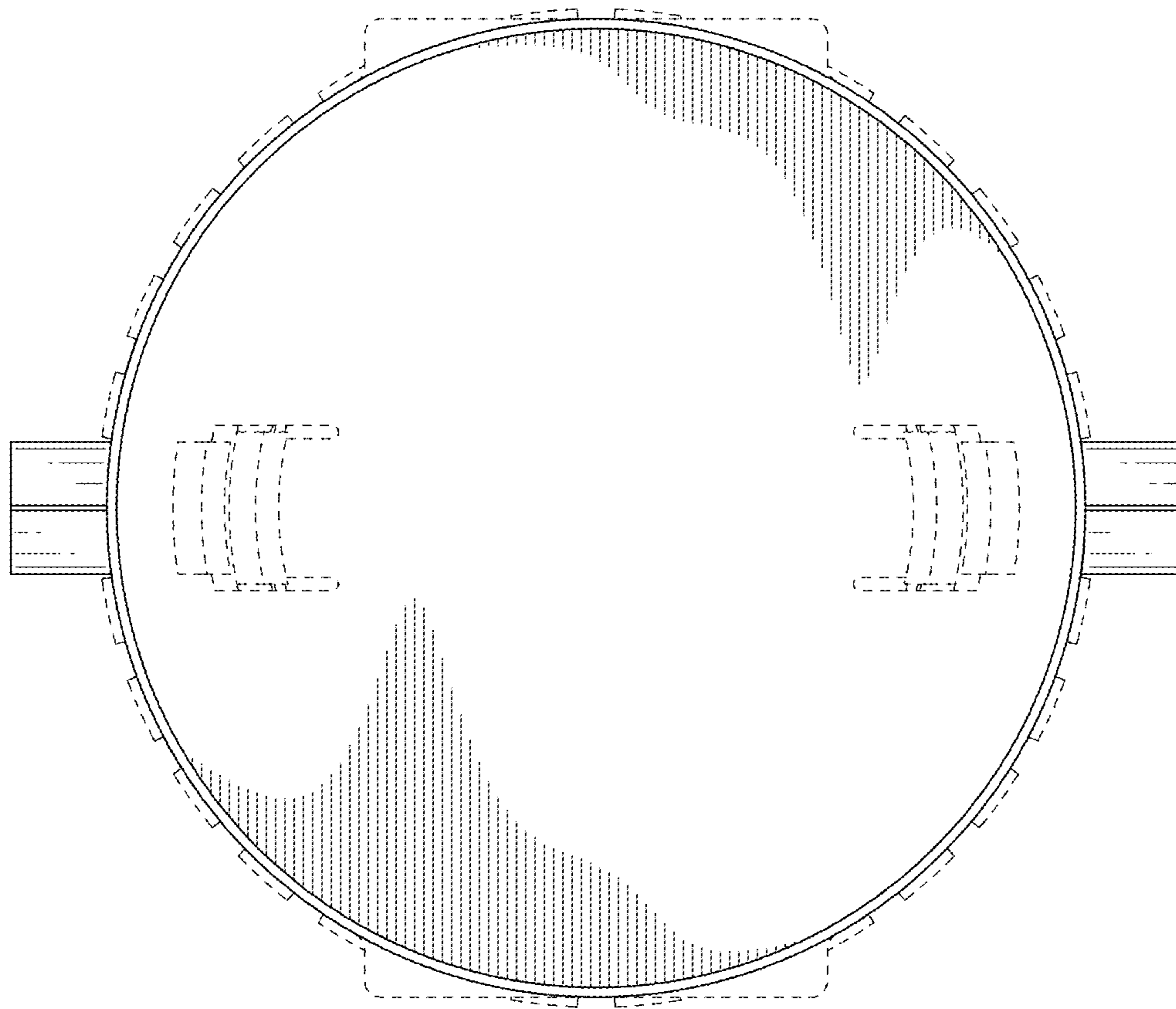


FIG. 11

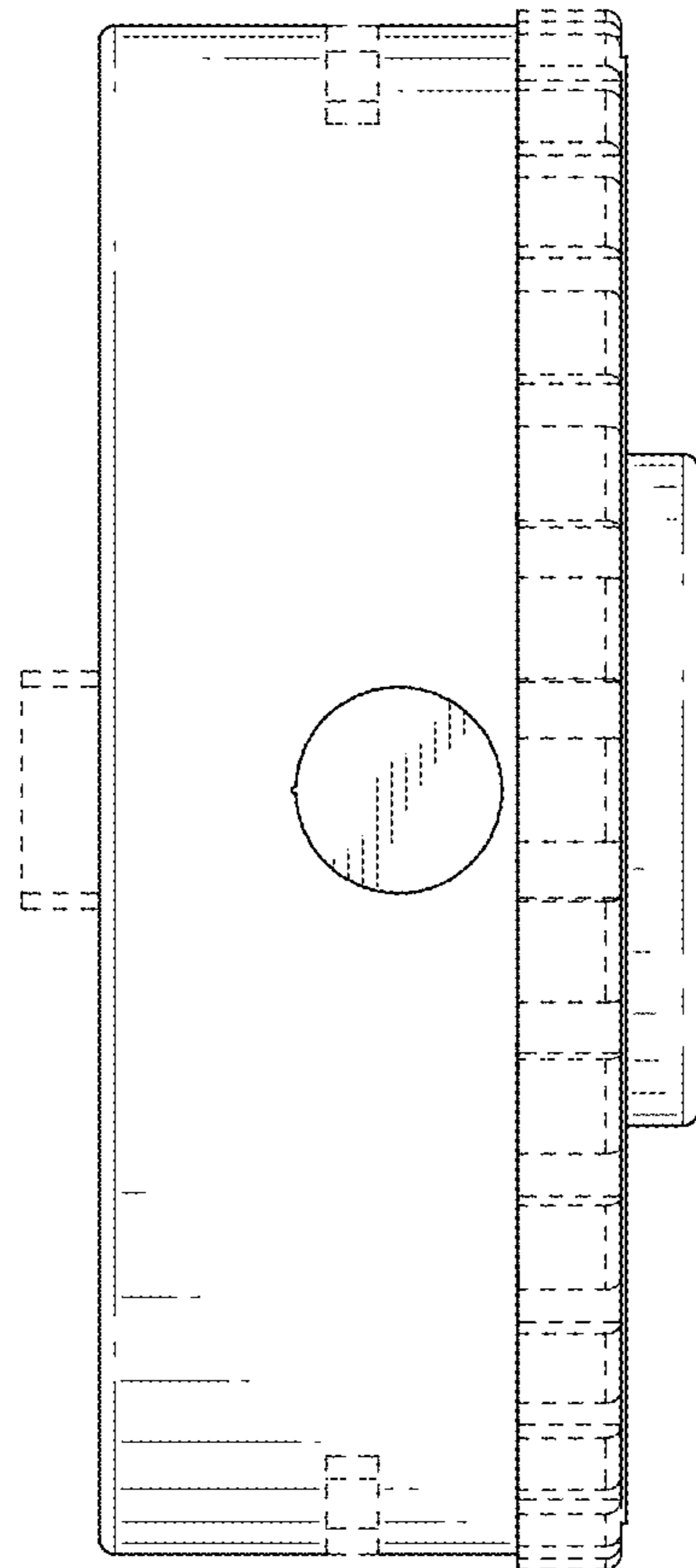


FIG. 12

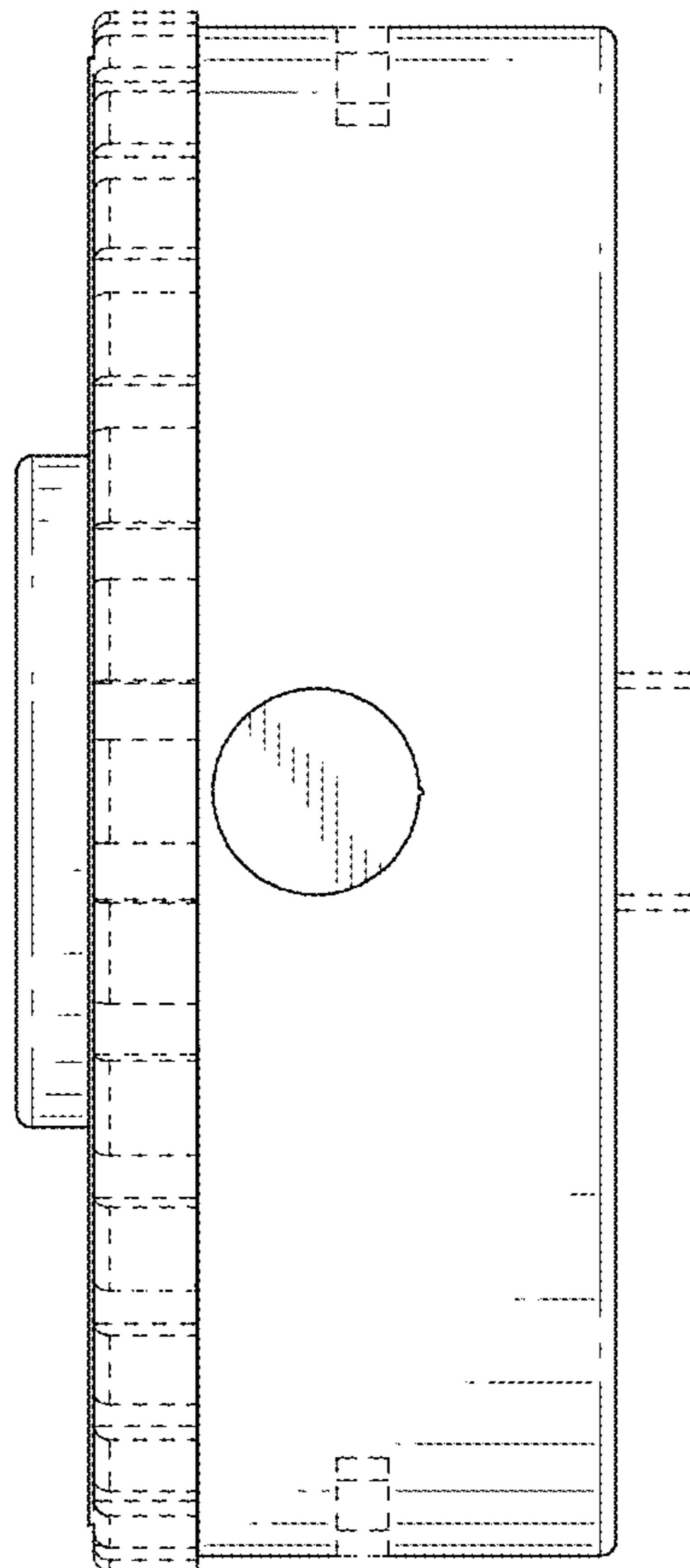


FIG. 13

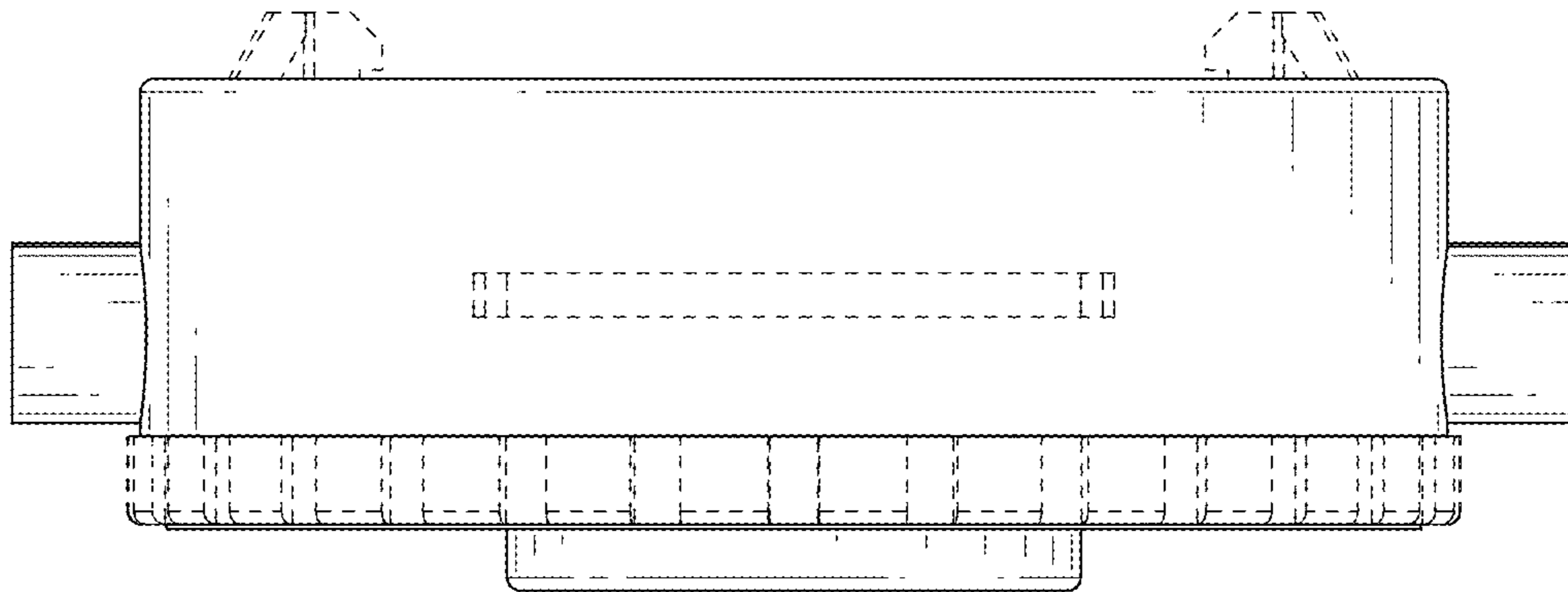


FIG. 14



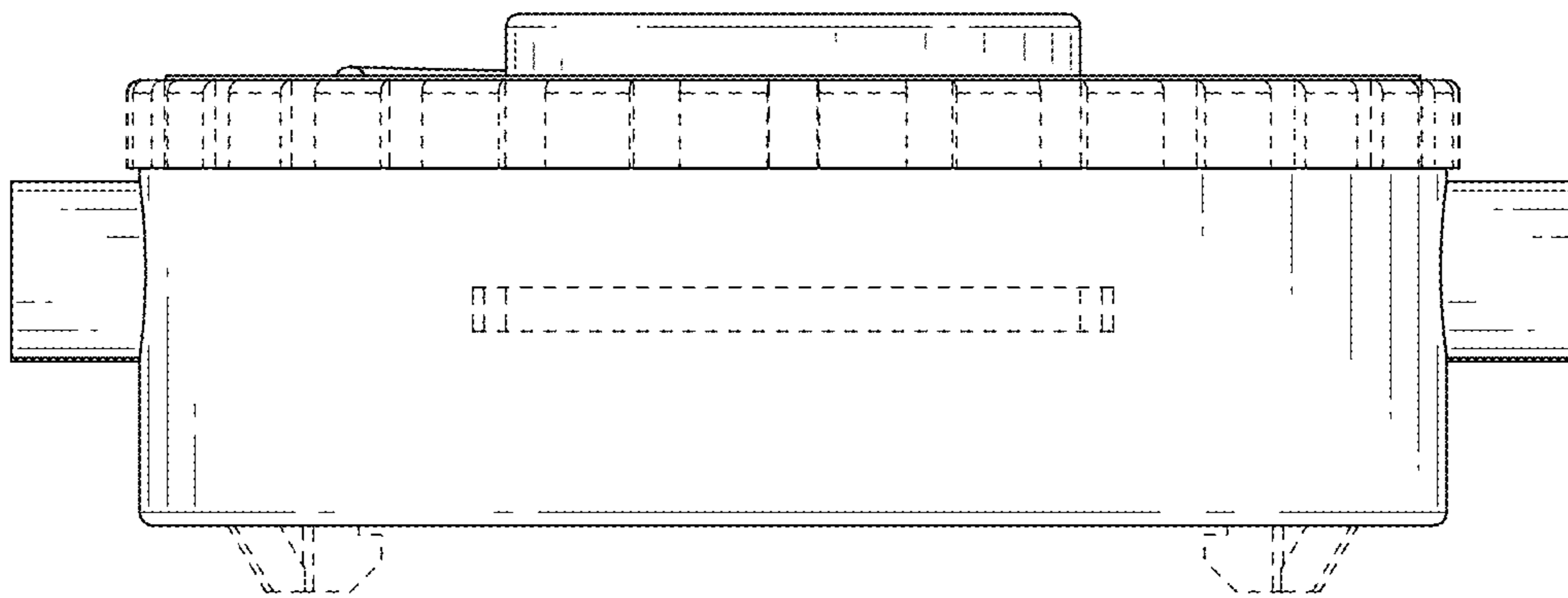


FIG. 15

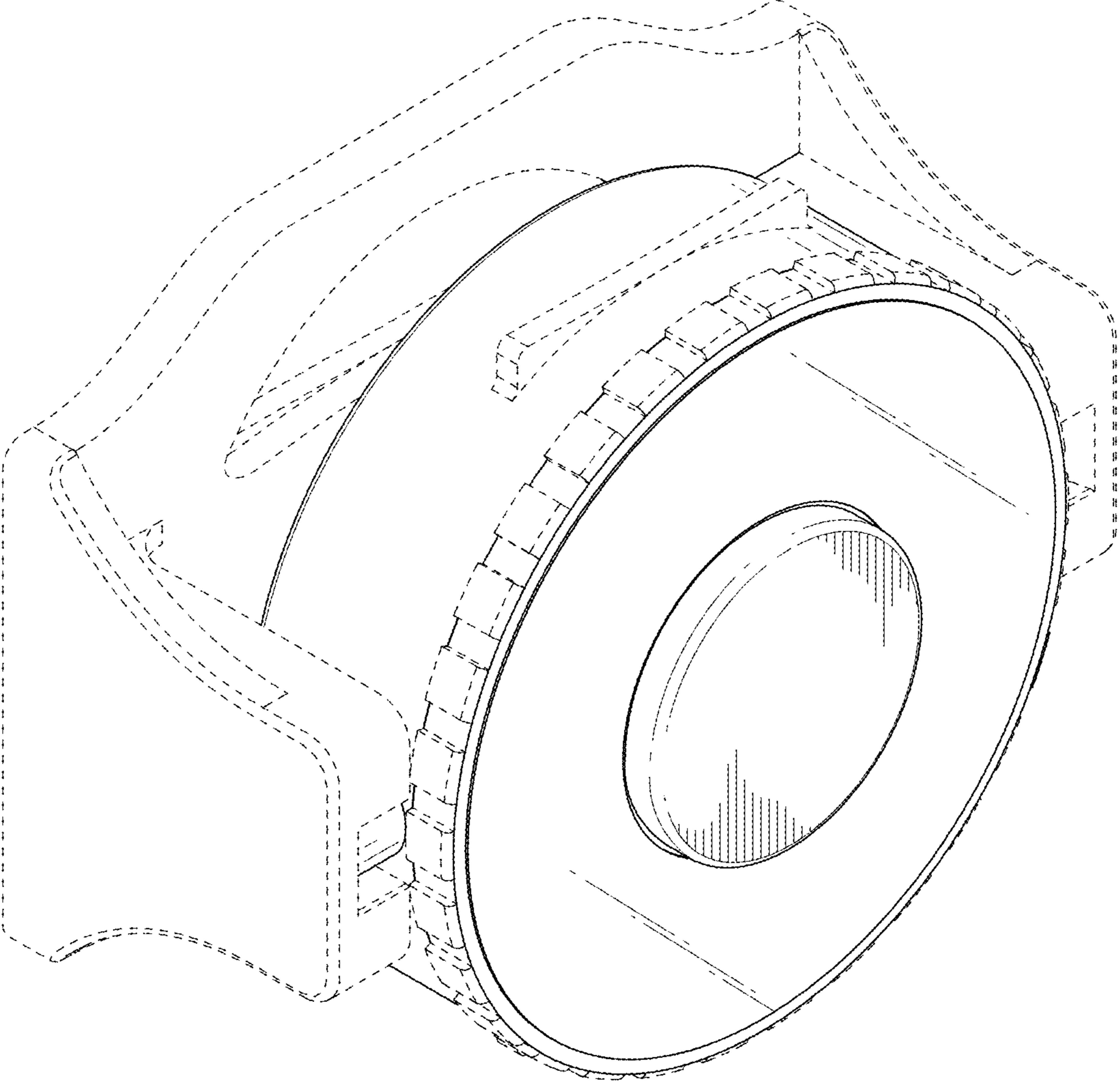


FIG. 16