



US00D909645S

(12) **United States Design Patent** (10) **Patent No.:** **US D909,645 S**  
**Tong** (45) **Date of Patent:** **\*\* Feb. 2, 2021**

(54) **SPEAKER LAMP**

(71) Applicant: **Shenzhen Highstar Electrical Co., Ltd, Guangdong (CN)**

(72) Inventor: **Guoming Tong, Guangdong (CN)**

(73) Assignee: **Shenzhen Highstar Electrical Co., Ltd, Shenzhen (CN)**

(\*\*) Term: **15 Years**

(21) Appl. No.: **29/647,819**

(22) Filed: **May 16, 2018**

(30) **Foreign Application Priority Data**

Apr. 13, 2018 (CN) ..... 2018 3 0149385

(51) **LOC (13) Cl.** ..... **26-05**

(52) **U.S. Cl.**  
USPC ..... **D26/51; D14/172; D14/216**

(58) **Field of Classification Search**  
USPC ..... D26/37-51, 60-62; D14/204, 215, 216, D14/209.1, 721

CPC ..... F21L 2003/00; F21L 4/005; F21L 4/025; F21L 4/027; F21L 4/04; F21L 4/08; F21L 13/00; F21L 13/08; F21L 14/02; F21L 19/00; F21L 2/00; F21L 4/00-4/085; F21L 15/00-15/14; F21L 2001/00; F21L 2005/00; F21L 25/00; H04R 1/2807; H04R 1/281

See application file for complete search history.

(56) **References Cited**

**U.S. PATENT DOCUMENTS**

- D519,658 S \* 4/2006 Izardel ..... D26/40
- D559,418 S \* 1/2008 Poon ..... D26/40
- D622,430 S \* 8/2010 Chilton ..... D26/41
- D644,350 S \* 8/2011 Hasse ..... D26/2
- D650,105 S \* 12/2011 Crawford ..... D26/41
- D687,591 S \* 8/2013 Chilton ..... D26/93
- D718,597 S \* 12/2014 Moreau ..... D8/71

- D738,553 S \* 9/2015 Fletcher ..... D26/41
- D743,377 S \* 11/2015 Mackiewicz ..... D14/216
- D770,070 S \* 10/2016 Zhou ..... D26/41
- D773,704 S \* 12/2016 Pardo ..... D26/41

(Continued)

**OTHER PUBLICATIONS**

Speaker lantern , [online], [Site visited Sep. 6, 2020], <[\(Continued\)](https://www.amazon.com/Verbatinn-Resistant-Bluetooth-Microphone-98594/dp/B01BWLWYG8/ref=sr_1_9?dchild=1&keywords=Verbatim+2+++n+++1+Water+Resistant+Speaker+Lantern&qid=1599593289&sr=8-9>9pgs (Year: 2016).*</a></p></div>
<div data-bbox=)

*Primary Examiner* — Lakiya G Rogers

*Assistant Examiner* — Carissa C Fitts

(57) **CLAIM**

The ornamental design for a speaker lamp, as shown and described.

**DESCRIPTION**

FIG. 1 is a top, front and right side perspective view of a speaker lamp showing my new design;

FIG. 2 is a bottom, rear and left side perspective view thereof;

FIG. 3 is a front elevational view thereof;

FIG. 4 is a rear elevational view thereof;

FIG. 5 is a left side view thereof;

FIG. 6 is a right side view thereof;

FIG. 7 is a top plan view thereof;

FIG. 8 is a bottom plan view thereof;

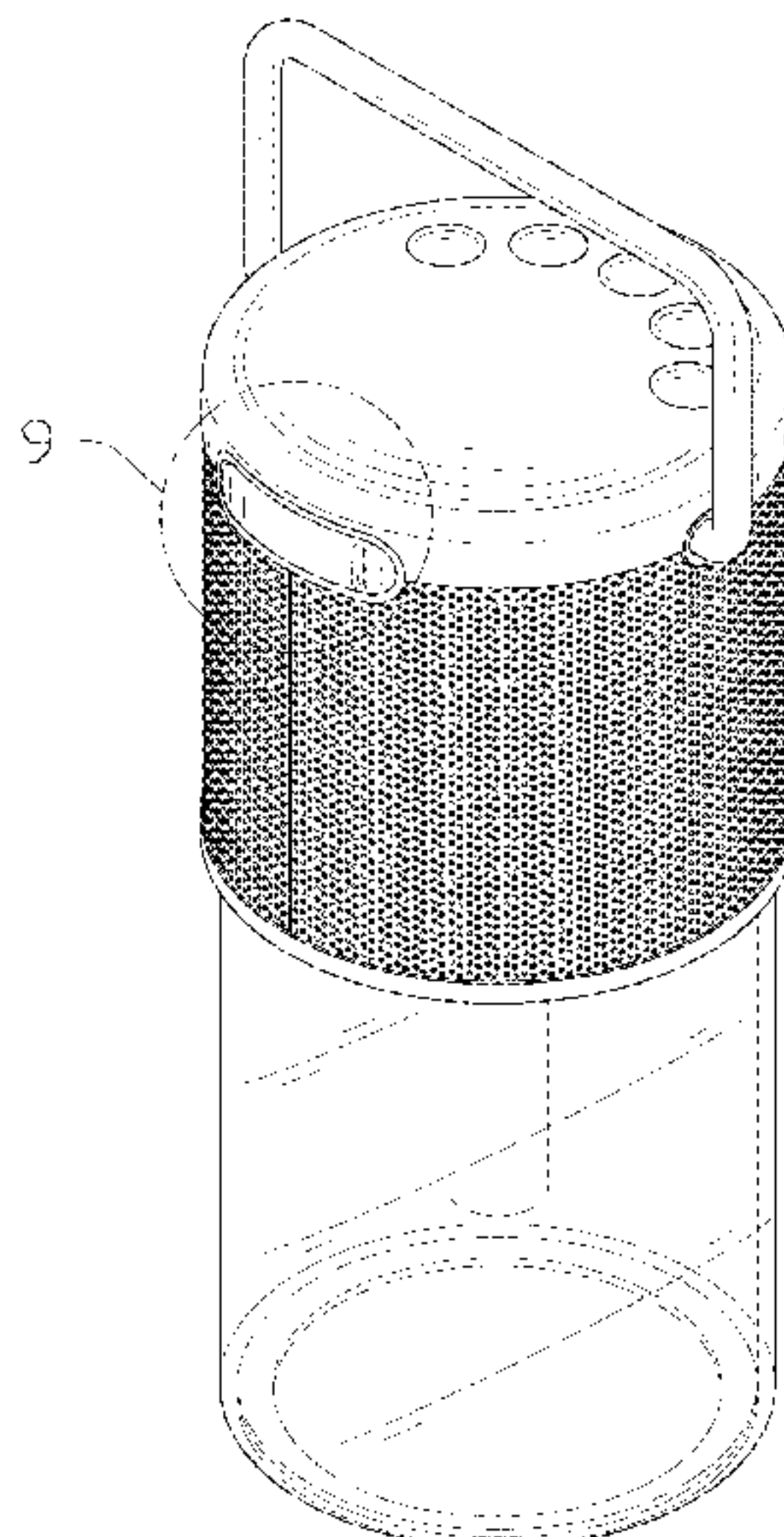
FIG. 9 is an enlarged view of Portion 9 in FIG. 1; and,

FIG. 10 is an enlarged view of Portion 10 in FIG. 3.

The dash-dash broken lines in the drawings illustrate portions of the speaker lamp which form no part of the claimed design.

The dot-dash broken lines in FIGS. 1, 3, 9 and 10 illustrate boundaries of the enlarged portions which form no part of the claimed design.

**1 Claim, 10 Drawing Sheets**



(56)

**References Cited**

## U.S. PATENT DOCUMENTS

D776,315 S \* 1/2017 Wu ..... D26/41  
 D800,373 S \* 10/2017 Soni ..... D26/118  
 D808,927 S \* 1/2018 Schaal ..... D14/216  
 D819,596 S \* 6/2018 Sun ..... D14/211  
 D823,507 S \* 7/2018 Pontano ..... D26/40  
 D823,833 S \* 7/2018 Shiono ..... D14/216  
 D832,480 S \* 10/2018 Qiu ..... D26/41  
 D843,038 S \* 3/2019 Vyvey ..... D26/40  
 D844,875 S \* 4/2019 Jeon ..... D26/51  
 D845,527 S \* 4/2019 Hsu ..... D26/41  
 D847,115 S \* 4/2019 Li ..... D14/204  
 D856,568 S \* 8/2019 Xing ..... D26/104  
 D863,634 S \* 10/2019 Xu ..... D26/41  
 D868,735 S \* 12/2019 Aicheng ..... D14/207  
 D868,739 S \* 12/2019 Ryu ..... D14/216  
 D870,701 S \* 12/2019 Lee ..... D14/211  
 D885,837 S \* 6/2020 Bo ..... D7/510

## OTHER PUBLICATIONS

Bluetooth speaker , [online], [Site visited Sep. 6, 2020], <[https://www.amazon.com/IDONDRO-Portable-Bluetooth-Waterproof-Wireless/dp/B07VK1P4CD/ref=sr\\_1\\_1?dchild=1&keywords=Bluetooth-Speaker%2CIDONDRDO+Portable+Bluetooth+5.0+Wireless+Speaker%2Cwith+360+Surround&qid=1599593382&s=electronics&sr=1-1](https://www.amazon.com/IDONDRO-Portable-Bluetooth-Waterproof-Wireless/dp/B07VK1P4CD/ref=sr_1_1?dchild=1&keywords=Bluetooth-Speaker%2CIDONDRDO+Portable+Bluetooth+5.0+Wireless+Speaker%2Cwith+360+Surround&qid=1599593382&s=electronics&sr=1-1)> 9pgs (Year: 2019).\*

Bluetooth speaker , [online], [Site visited Sep. 6, 2020], <[https://www.amazon.com/Portable-Bluetooth-Wireless-Speakers-Surround/dp/B07XG6HXL4/ref=sr\\_1\\_1?dchild=1&keywords=Portable+Bluetooth+Speaker%2CLEd+Night+Light+Outdoor+Wireless+Speakers+5W+HD+Surround+Sound+%26+Enhanced&qid=1599593471&sr=8-1](https://www.amazon.com/Portable-Bluetooth-Wireless-Speakers-Surround/dp/B07XG6HXL4/ref=sr_1_1?dchild=1&keywords=Portable+Bluetooth+Speaker%2CLEd+Night+Light+Outdoor+Wireless+Speakers+5W+HD+Surround+Sound+%26+Enhanced&qid=1599593471&sr=8-1)>9pgs (Year: 2019).\*

\* cited by examiner



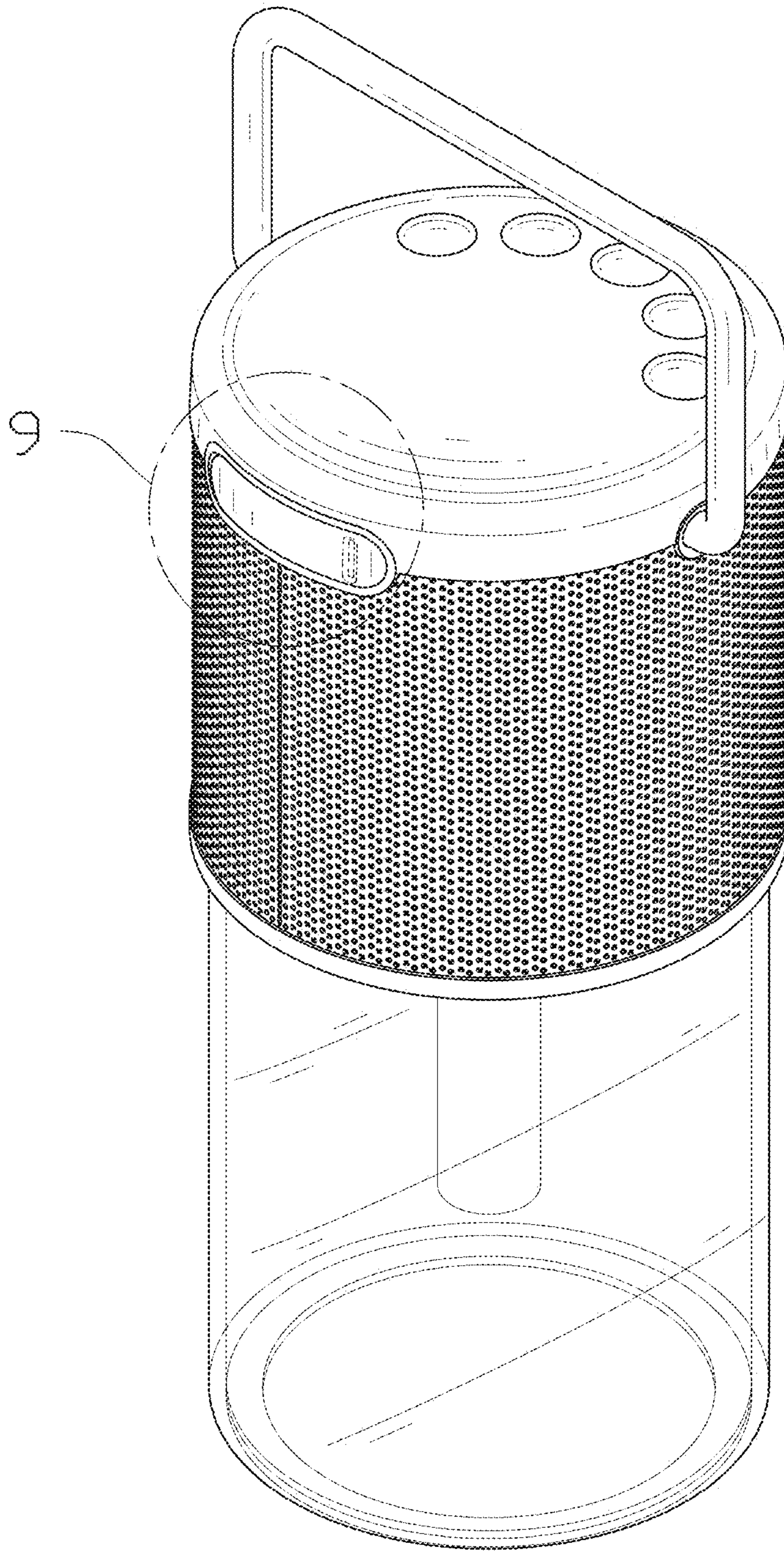


FIG. 1

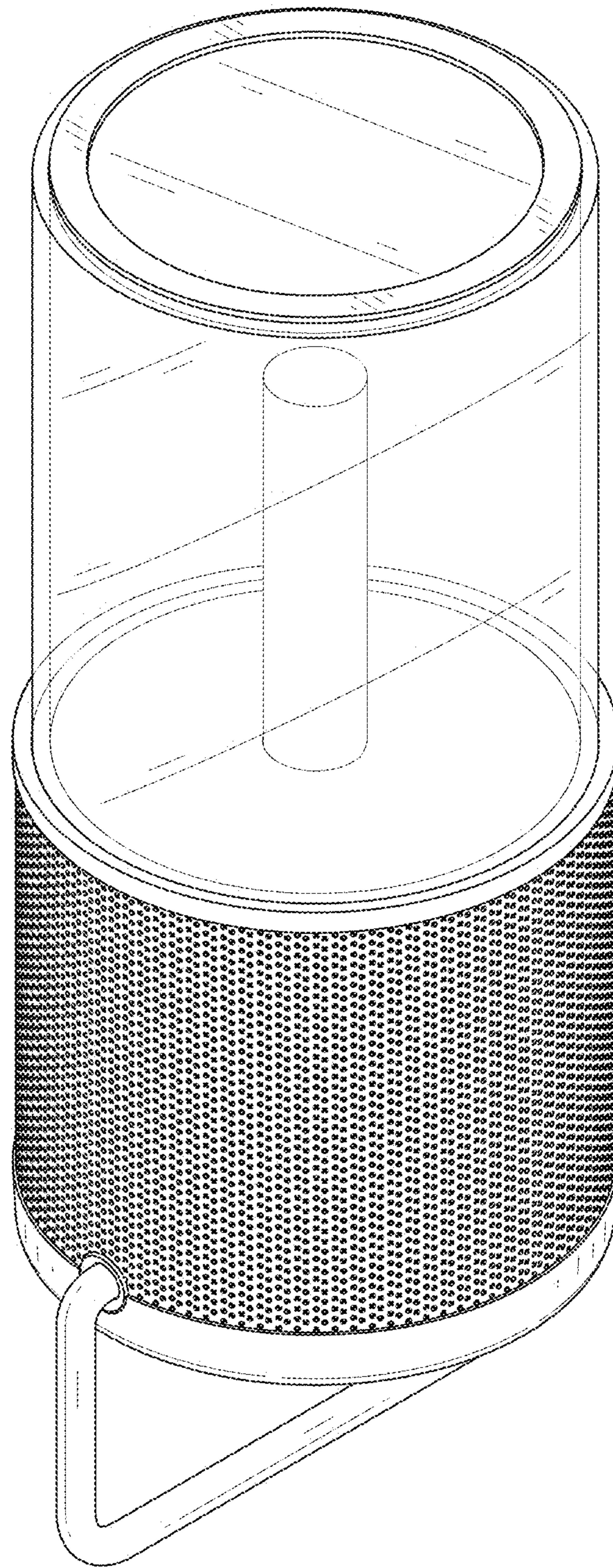


FIG. 2



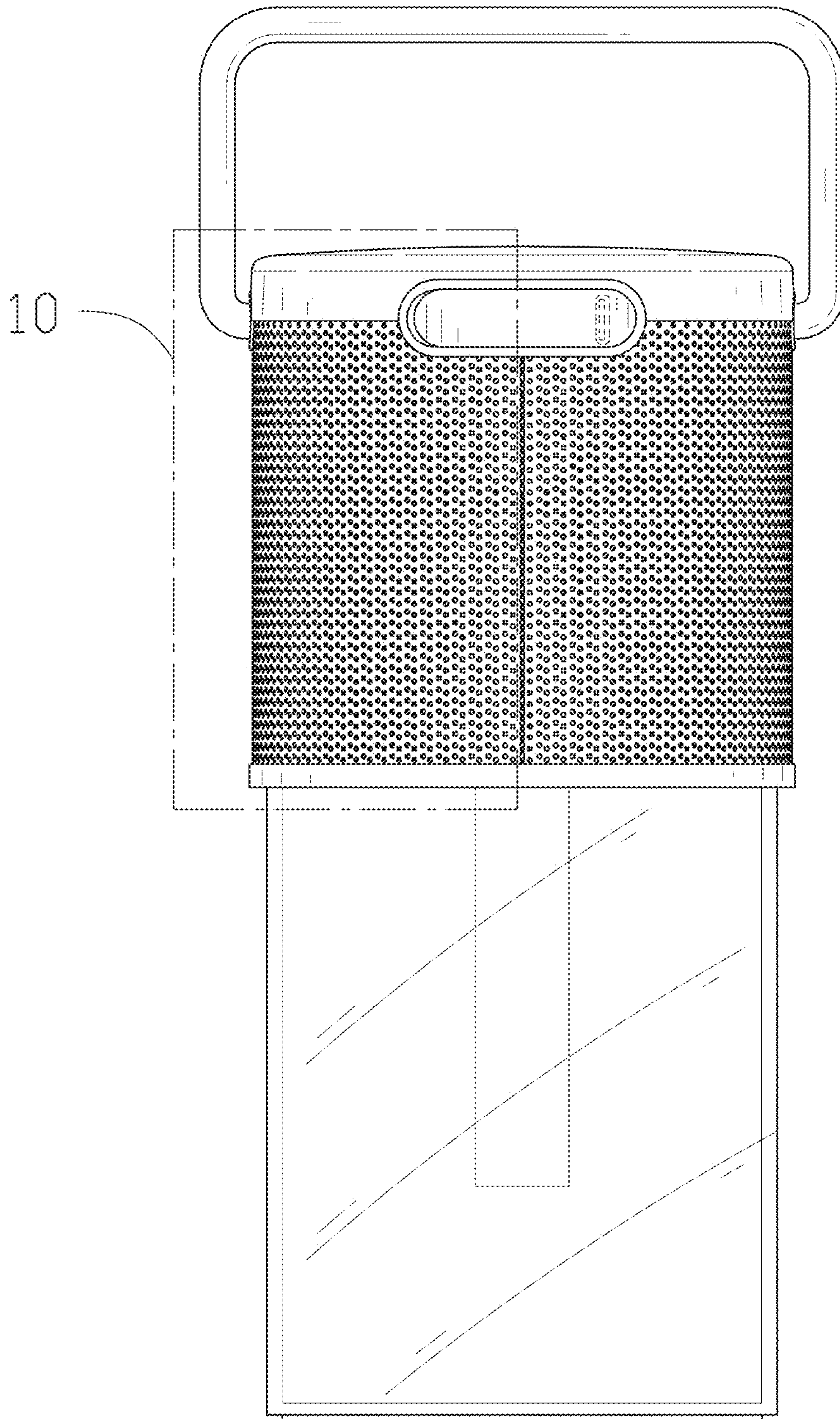


FIG. 3

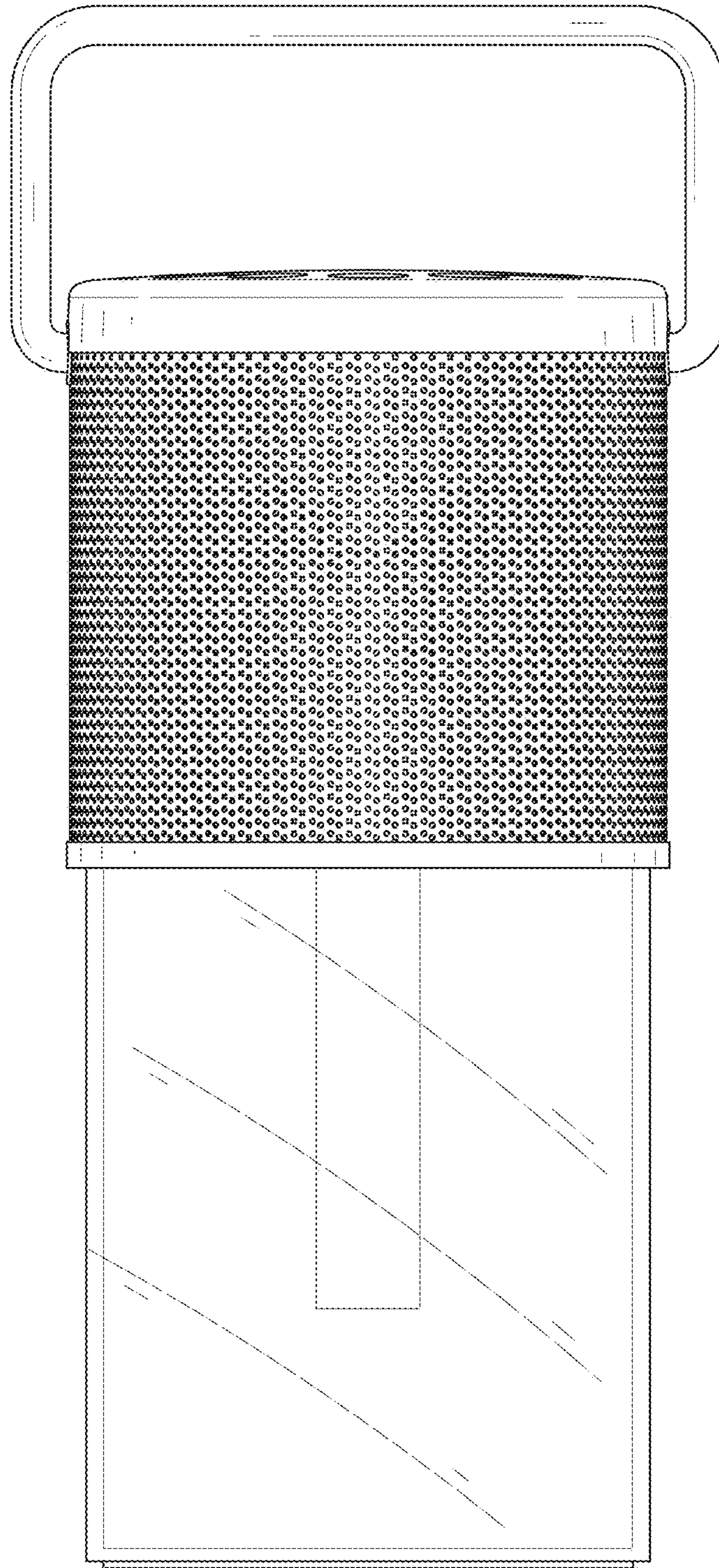


FIG. 4



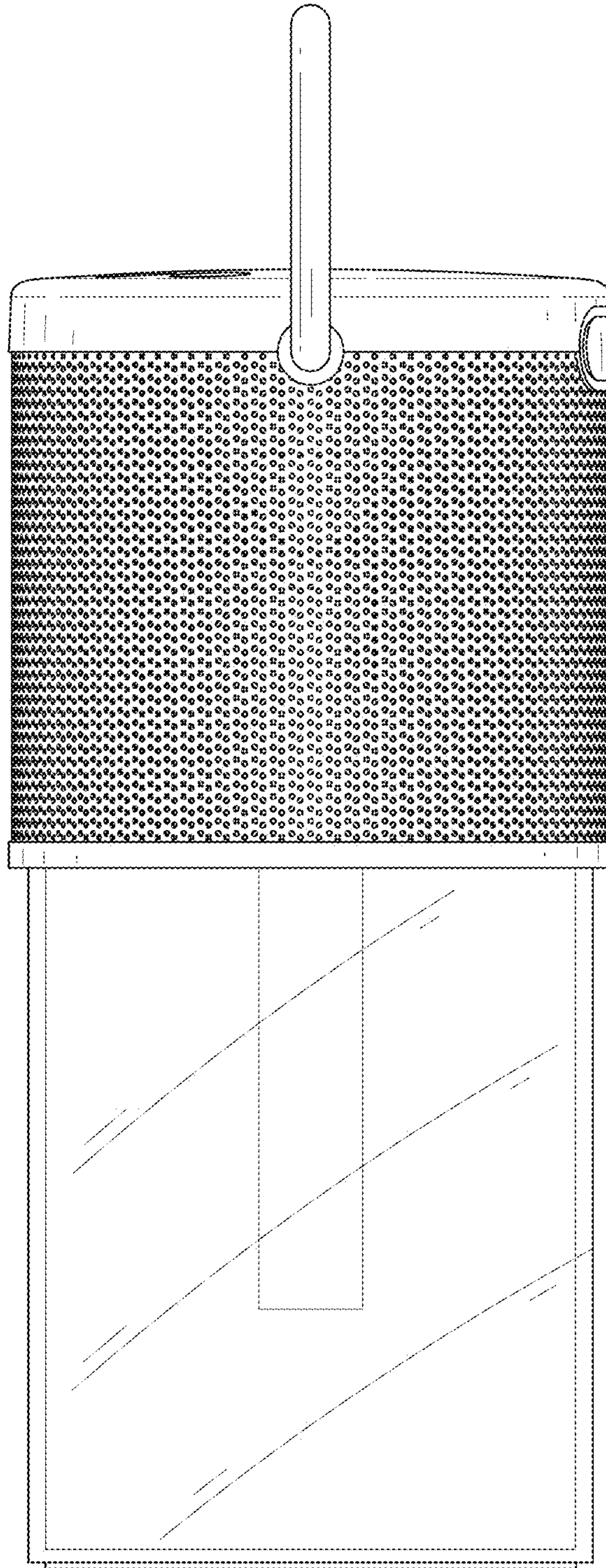


FIG. 5

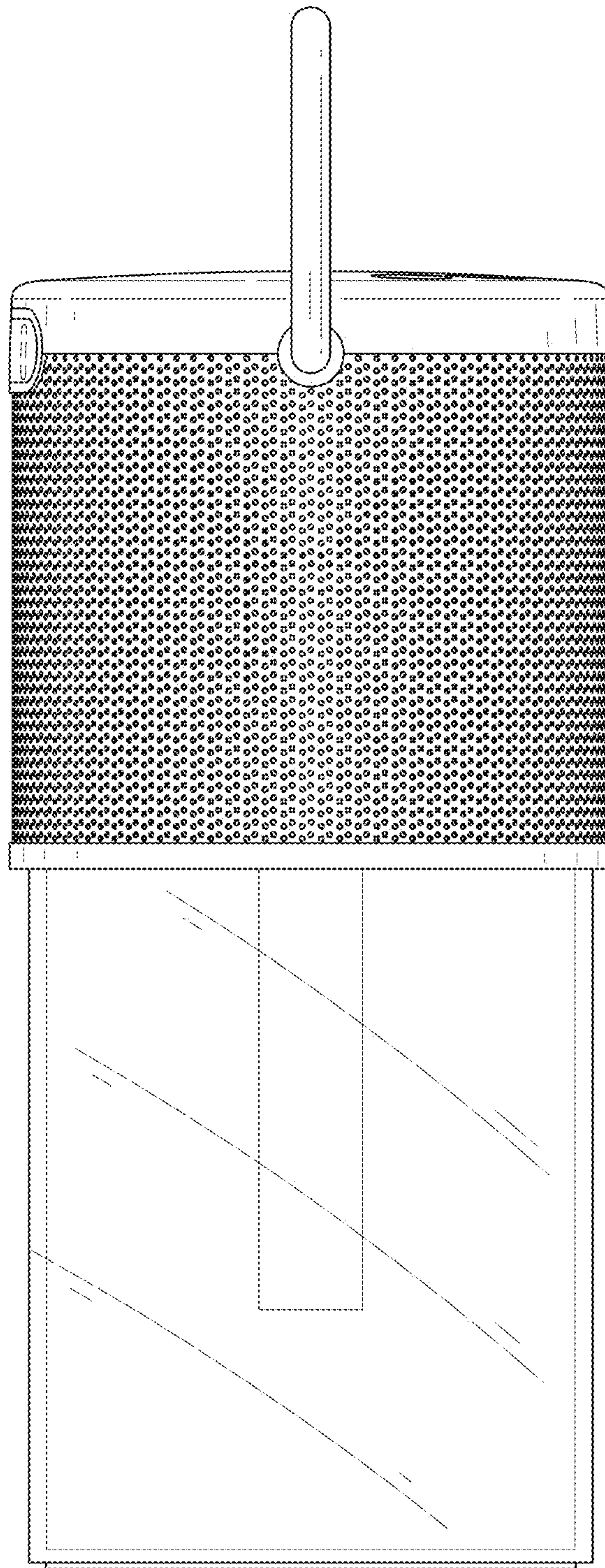


FIG. 6



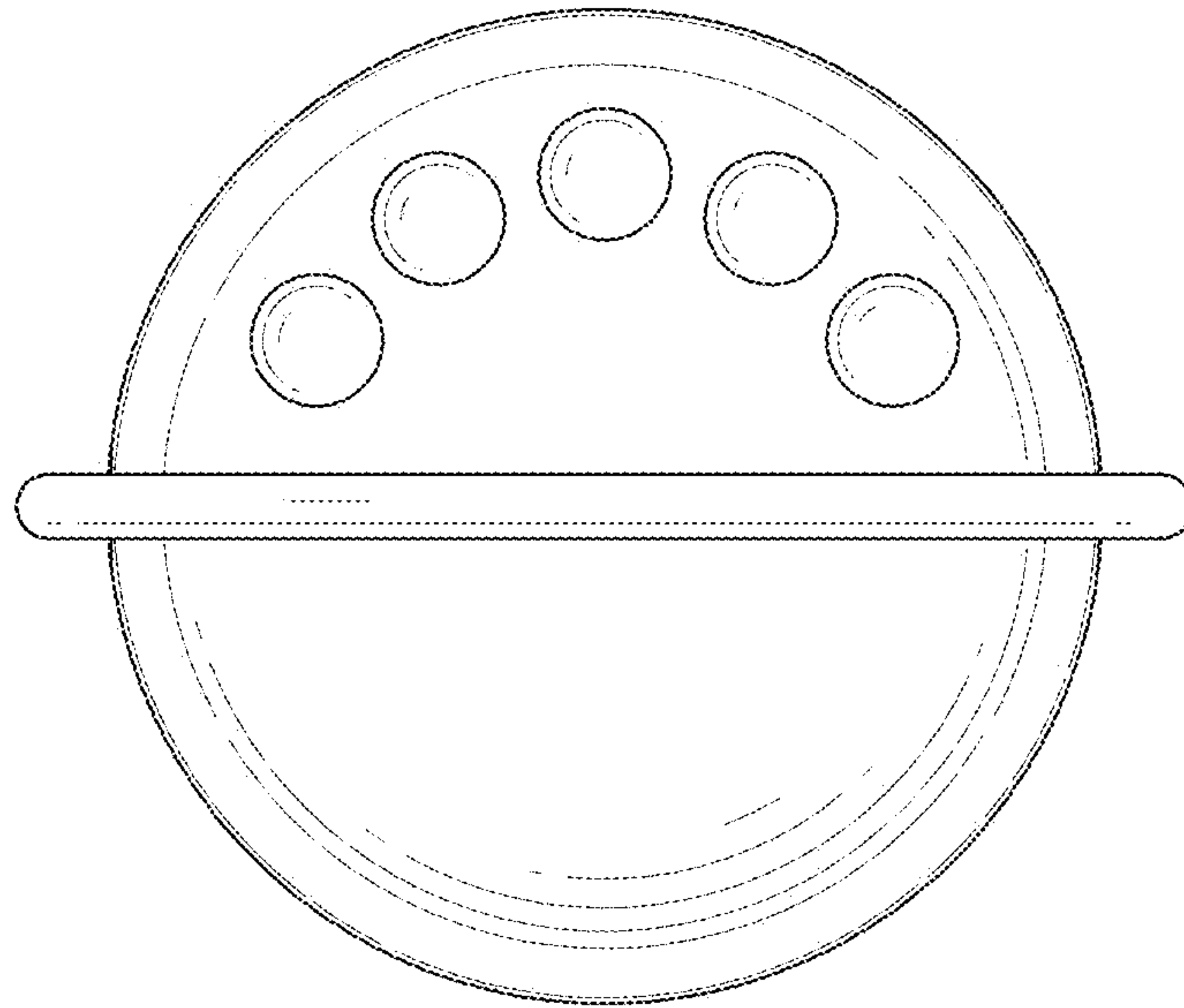


FIG. 7

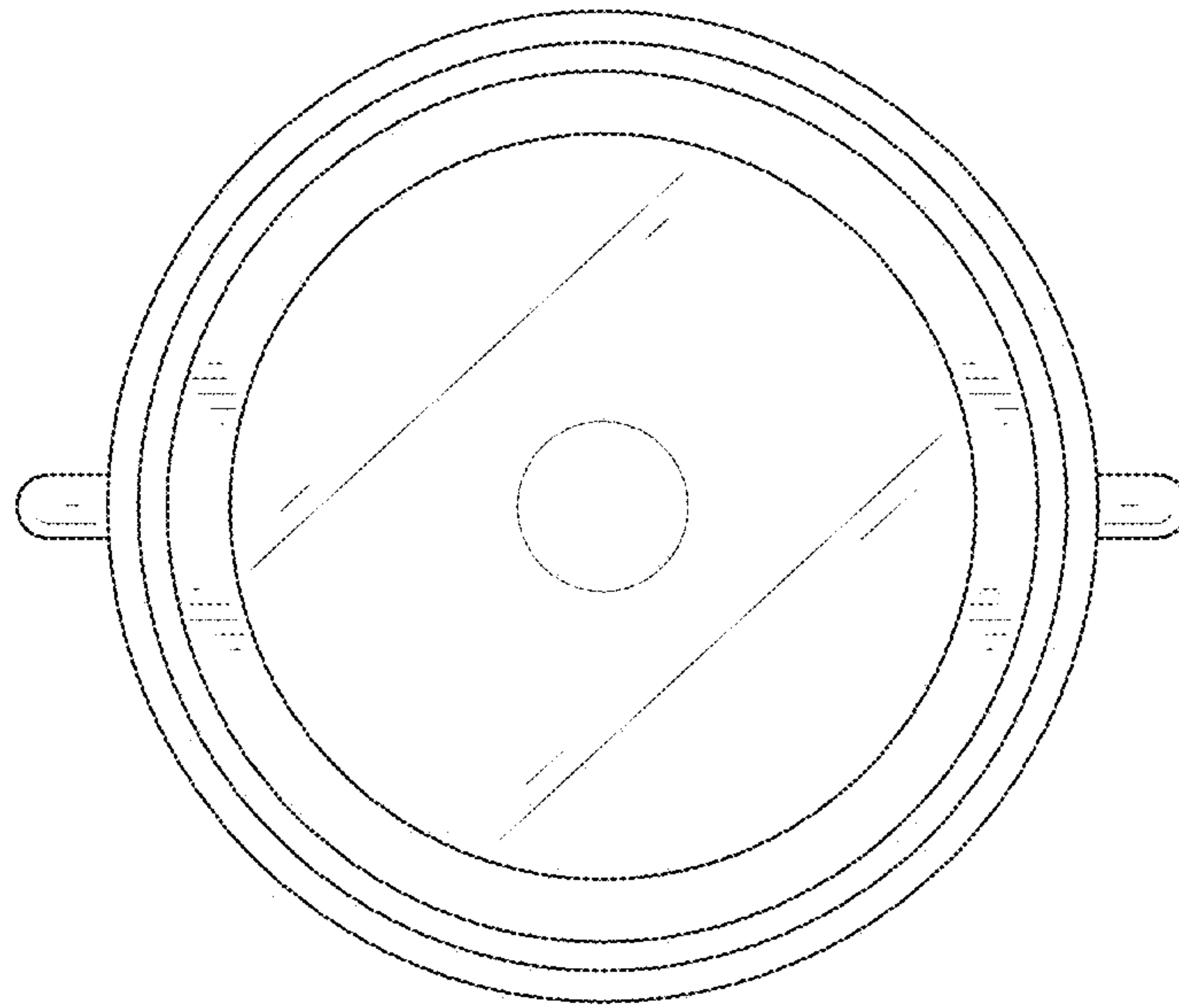


FIG. 8



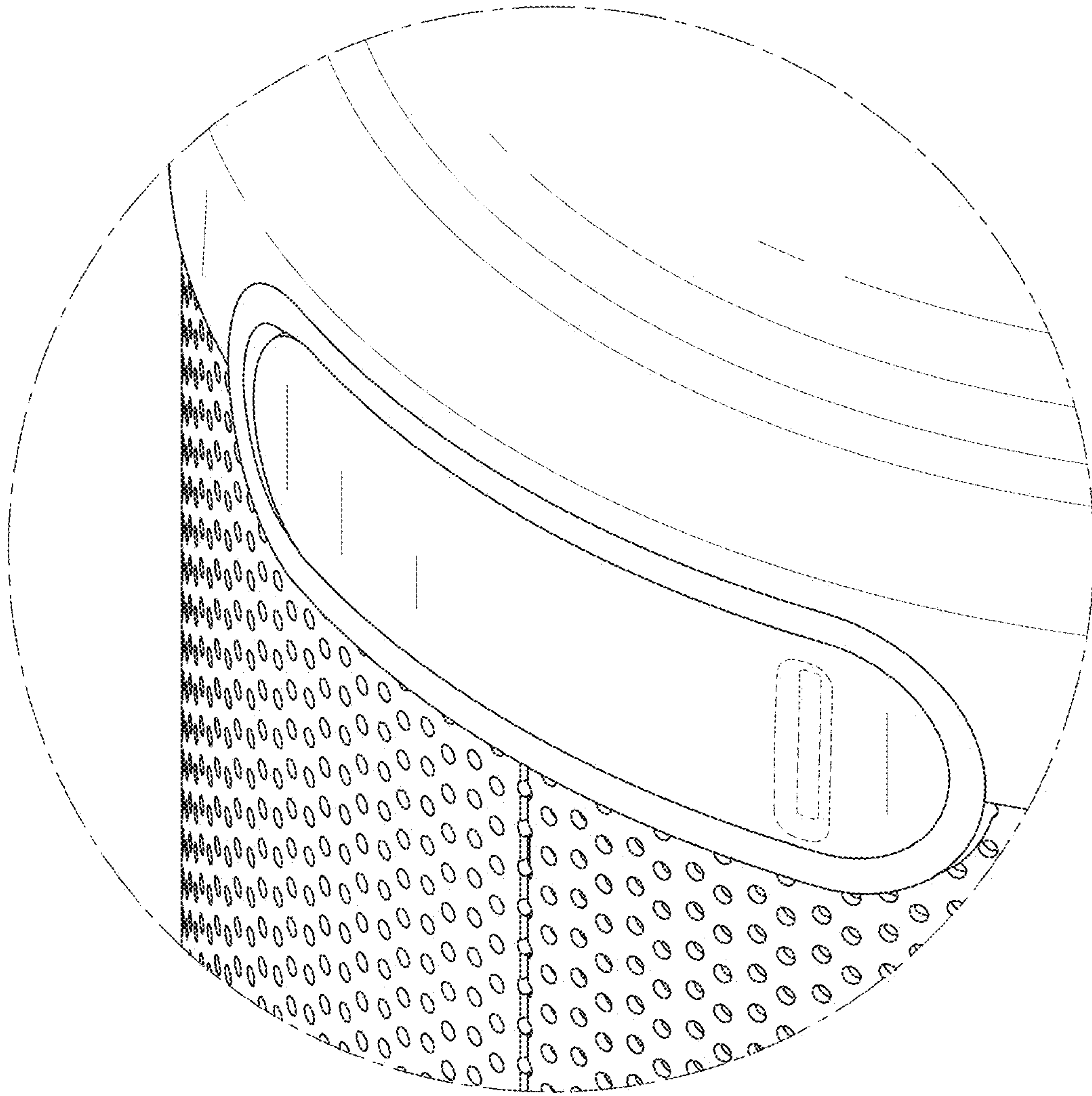


FIG. 9

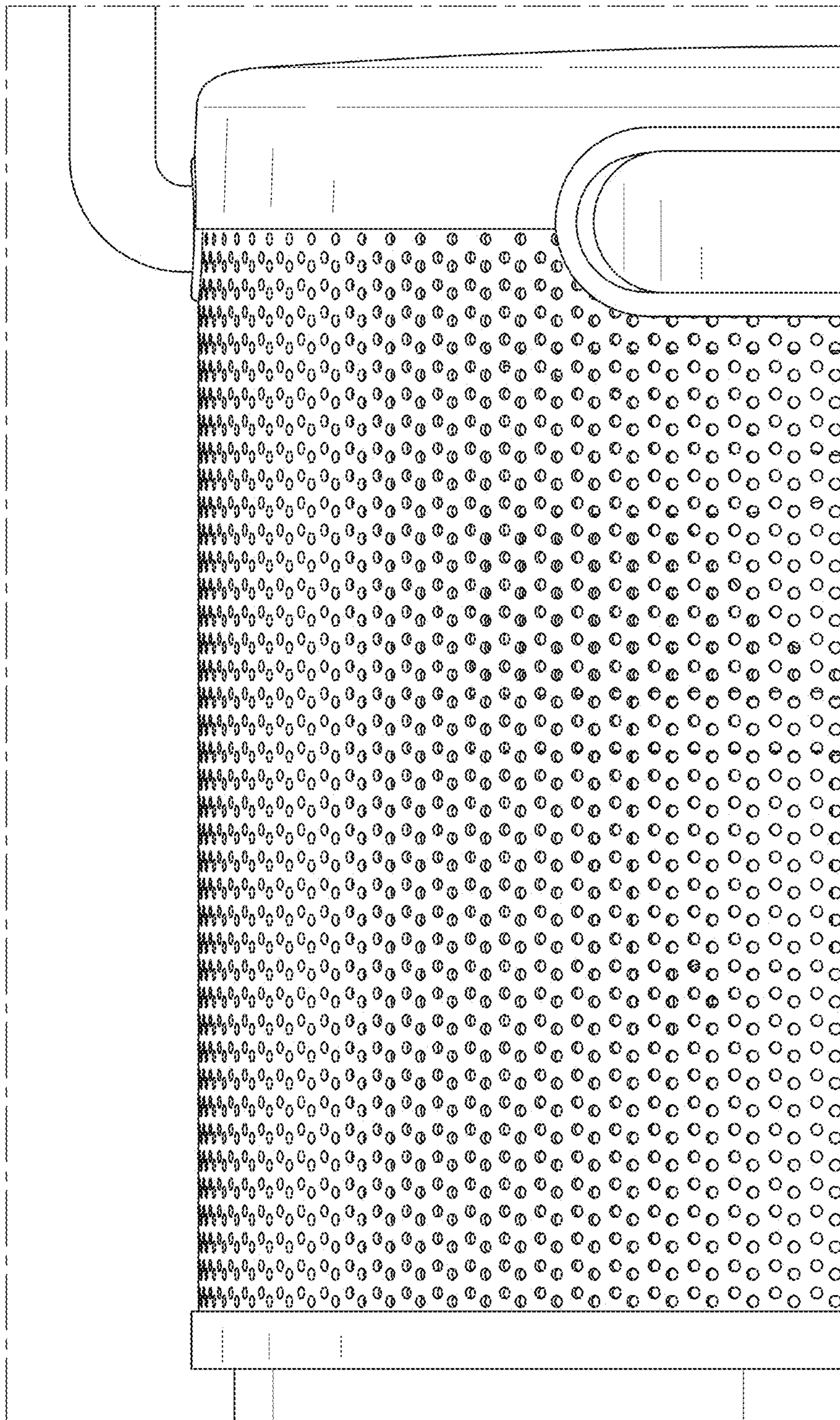


FIG. 10