



US00D909644S

(12) **United States Design Patent** (10) **Patent No.:** **US D909,644 S**
Chen (45) **Date of Patent:** **** Feb. 2, 2021**

(54) **CAR HEADLIGHT**
(71) Applicant: **ZHEJIANG YUANZHENG AUTO&MOTORCYCLE ACCESSORIES CO., LTD.**, Rui'an (CN)
(72) Inventor: **Yu Chen**, Rui'an (CN)
(**) Term: **15 Years**
(21) Appl. No.: **29/750,880**
(22) Filed: **Sep. 17, 2020**
(51) **LOC (13) Cl.** **26-06**
(52) **U.S. Cl.**
USPC **D26/28**
(58) **Field of Classification Search**
USPC D26/28-36, 139
CPC F21S 48/00; F21S 48/10; F21S 48/115; F21S 48/225; F21S 48/1233; F21S 48/1266; F21S 48/1388; F21S 48/2268; F21V 21/04; F21V 29/004; F21W 2103/35; F21W 3/40; F21W 2102/17; F21W 2102/30; F21W 2103/00; F21W 2103/55; F21W 2104/00; F21W 2107/13; F21W 2107/17; B60Q 9/13; B60Q 9/135; B60Q 9/1375
See application file for complete search history.

D593,233 S 5/2009 Bai et al.
D597,689 S 8/2009 Sun et al.
D878,642 S 3/2020 Ren

* cited by examiner

Primary Examiner — Marcus A Jackson
(74) *Attorney, Agent, or Firm* — HYIP

(57) **CLAIM**

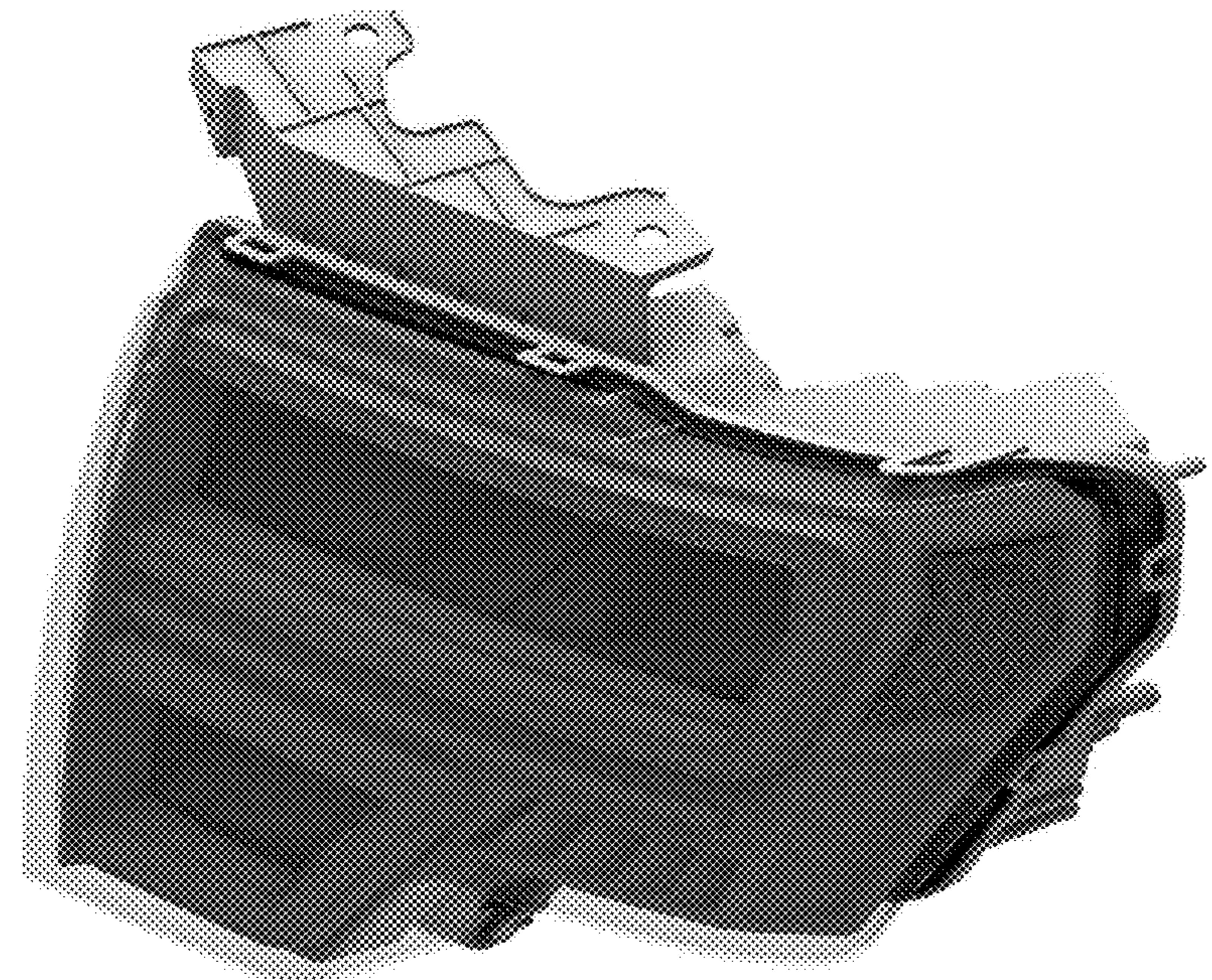
The ornamental design for a car headlight, as shown and described.

DESCRIPTION

FIG. 1 is a first perspective view of a first embodiment of a car headlight showing my new design;
FIG. 2 is a second perspective view of the first embodiment thereof;
FIG. 3 is a front view of a first embodiment thereof;
FIG. 4 is a back view of the first embodiment thereof;
FIG. 5 is a left side view of the first embodiment thereof;
FIG. 6 is a right side view of the first embodiment thereof;
FIG. 7 is a top view of the first embodiment thereof;
FIG. 8 is a bottom view of the first embodiment thereof;
FIG. 9 is a first perspective view of a second embodiment of a car headlight showing my new design;
FIG. 10 is a second perspective view of the second embodiment thereof;
FIG. 11 is a front view of a second embodiment thereof;
FIG. 12 is a back view of the second embodiment thereof;
FIG. 13 is a left side view of the second embodiment thereof;
FIG. 14 is a right side view of the second embodiment thereof;
FIG. 15 is a top view of the second embodiment thereof;
and,
FIG. 16 is a bottom view of the second embodiment thereof.

(56) **References Cited**
U.S. PATENT DOCUMENTS
D538,956 S * 3/2007 Ishii D26/28
D544,614 S * 6/2007 Markefka D26/28
D556,349 S * 11/2007 Golden D26/28
D570,007 S * 5/2008 Hsu D26/28
D582,587 S * 12/2008 Yang D26/28
D593,232 S * 5/2009 Koman D26/28

1 Claim, 16 Drawing Sheets



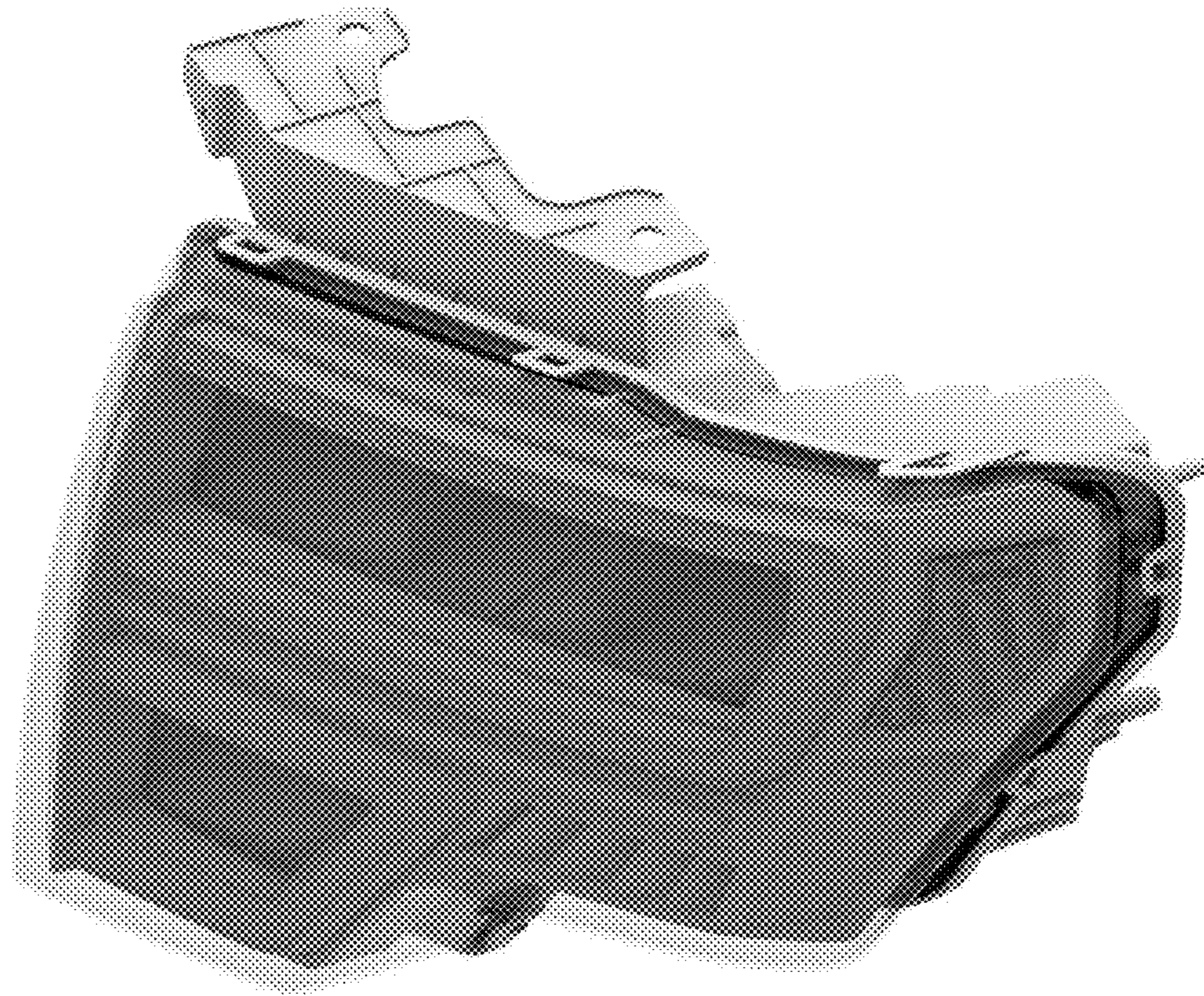


FIG.1

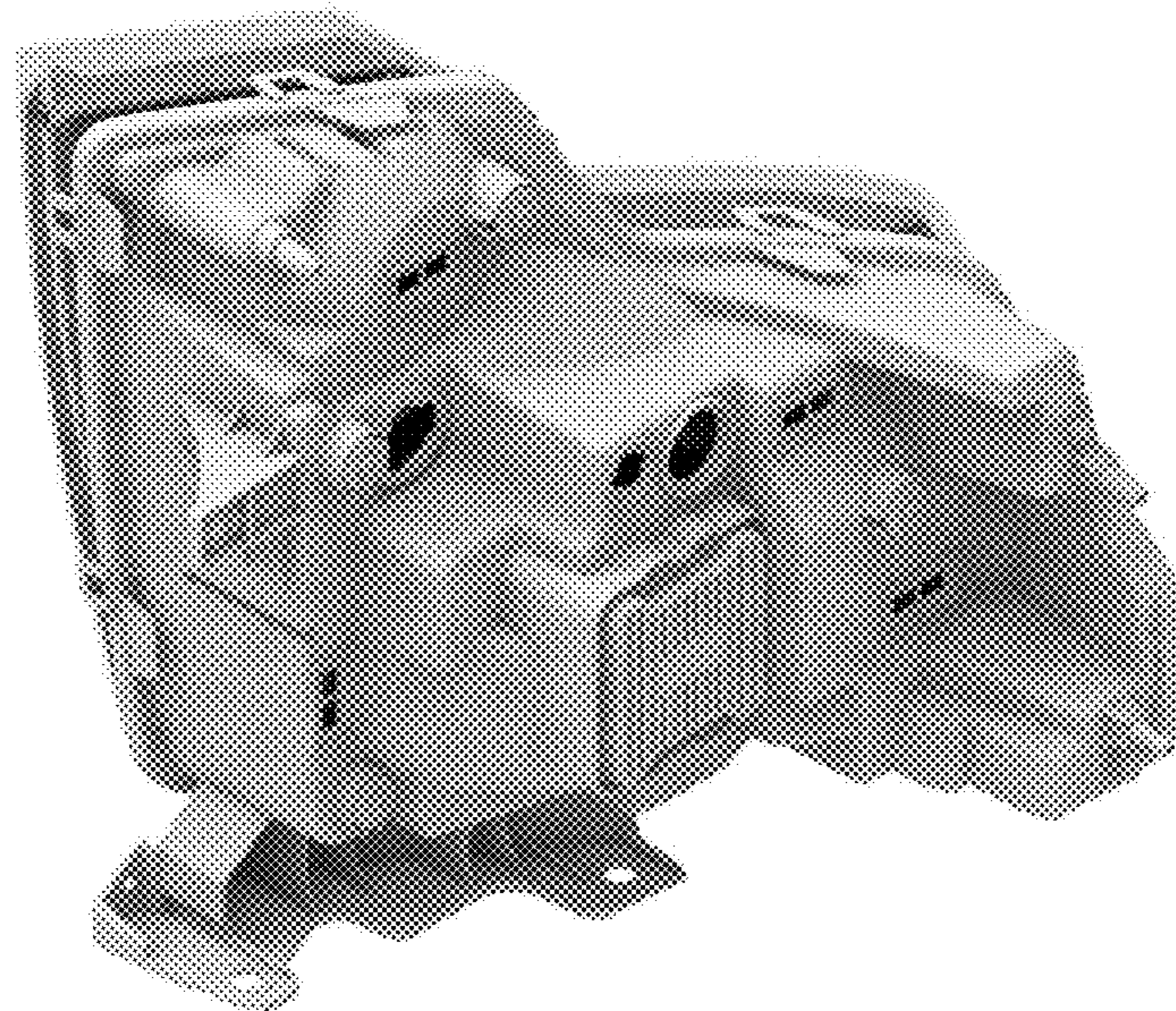


FIG.2

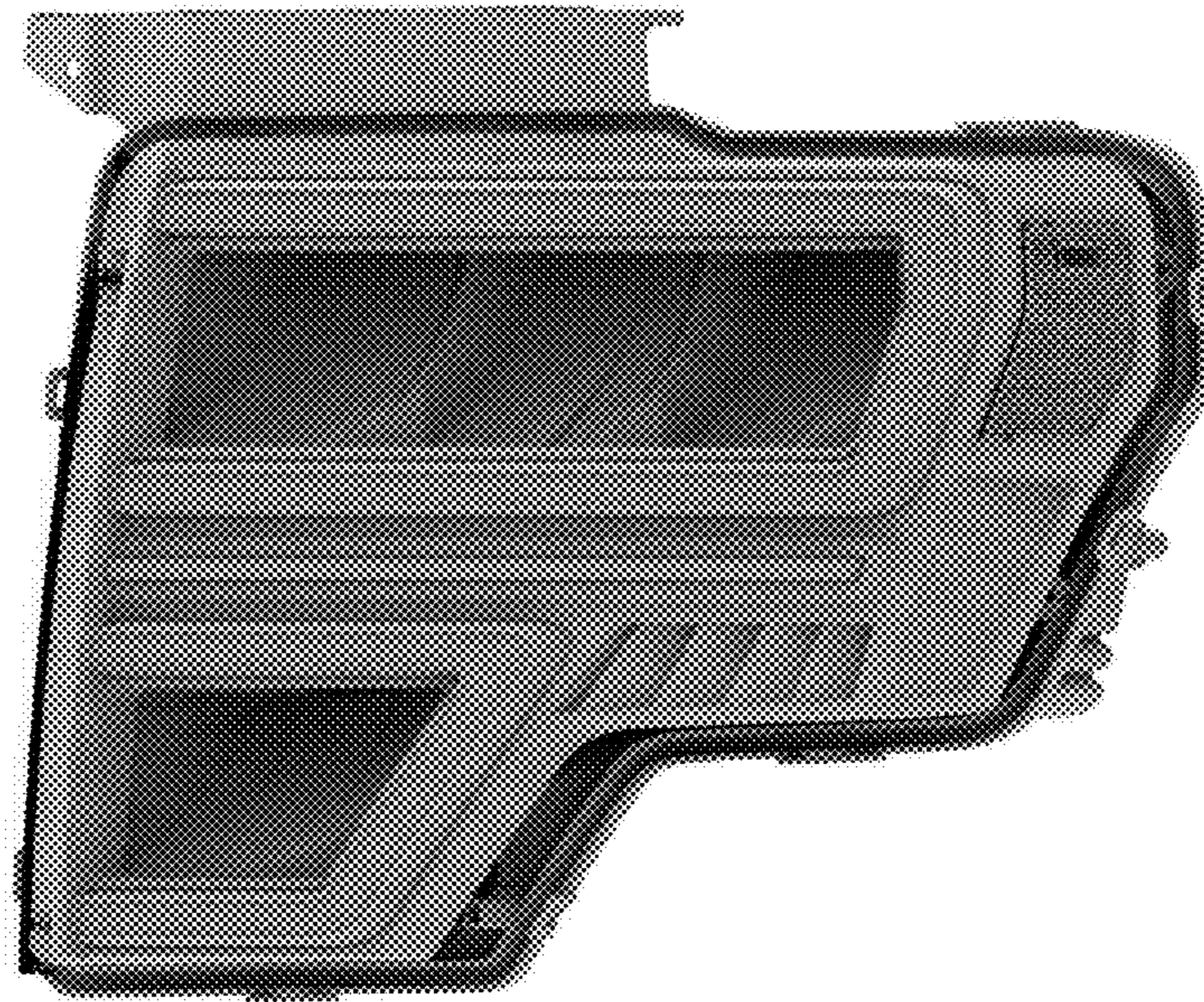


FIG.3

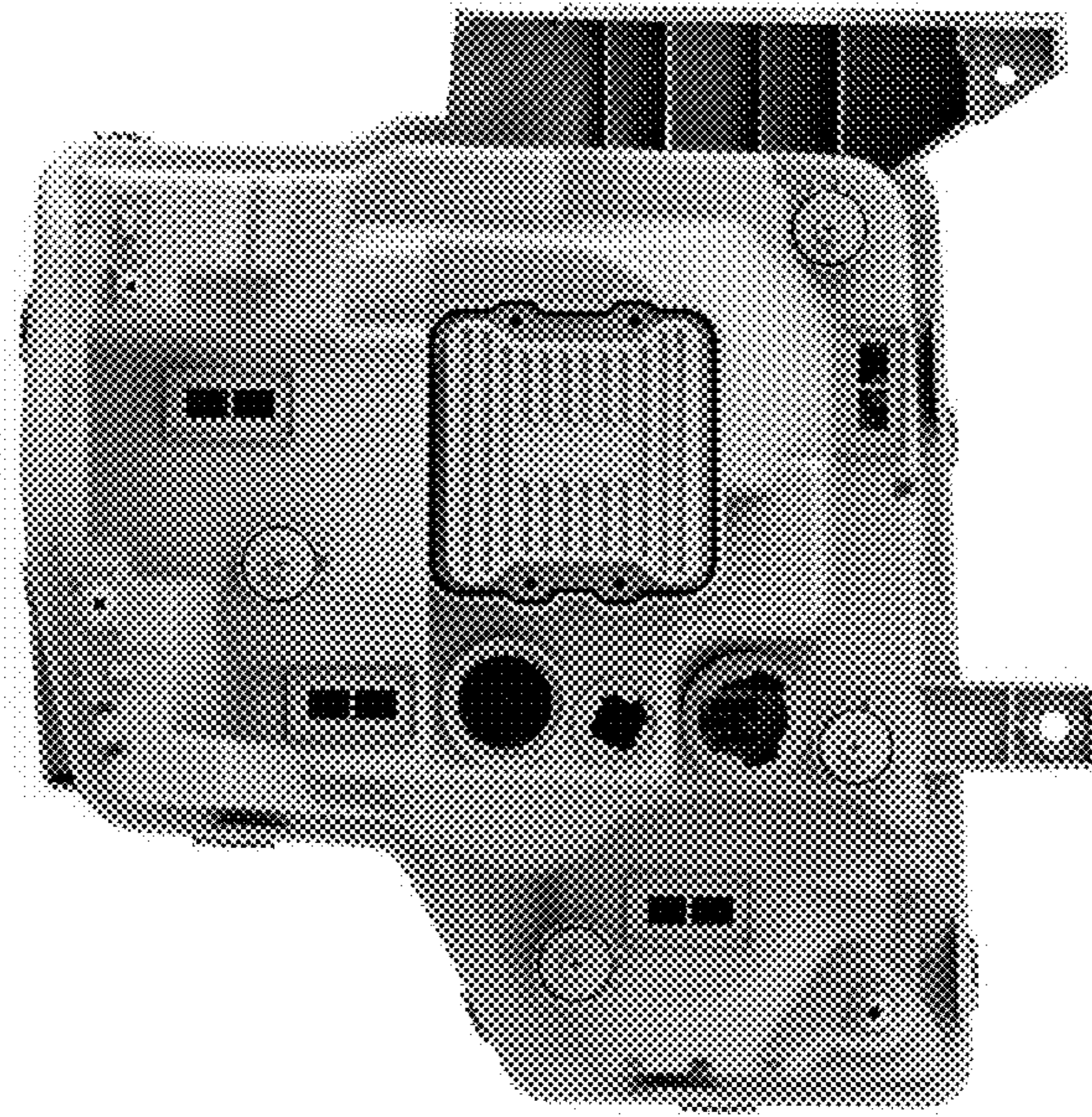


FIG.4

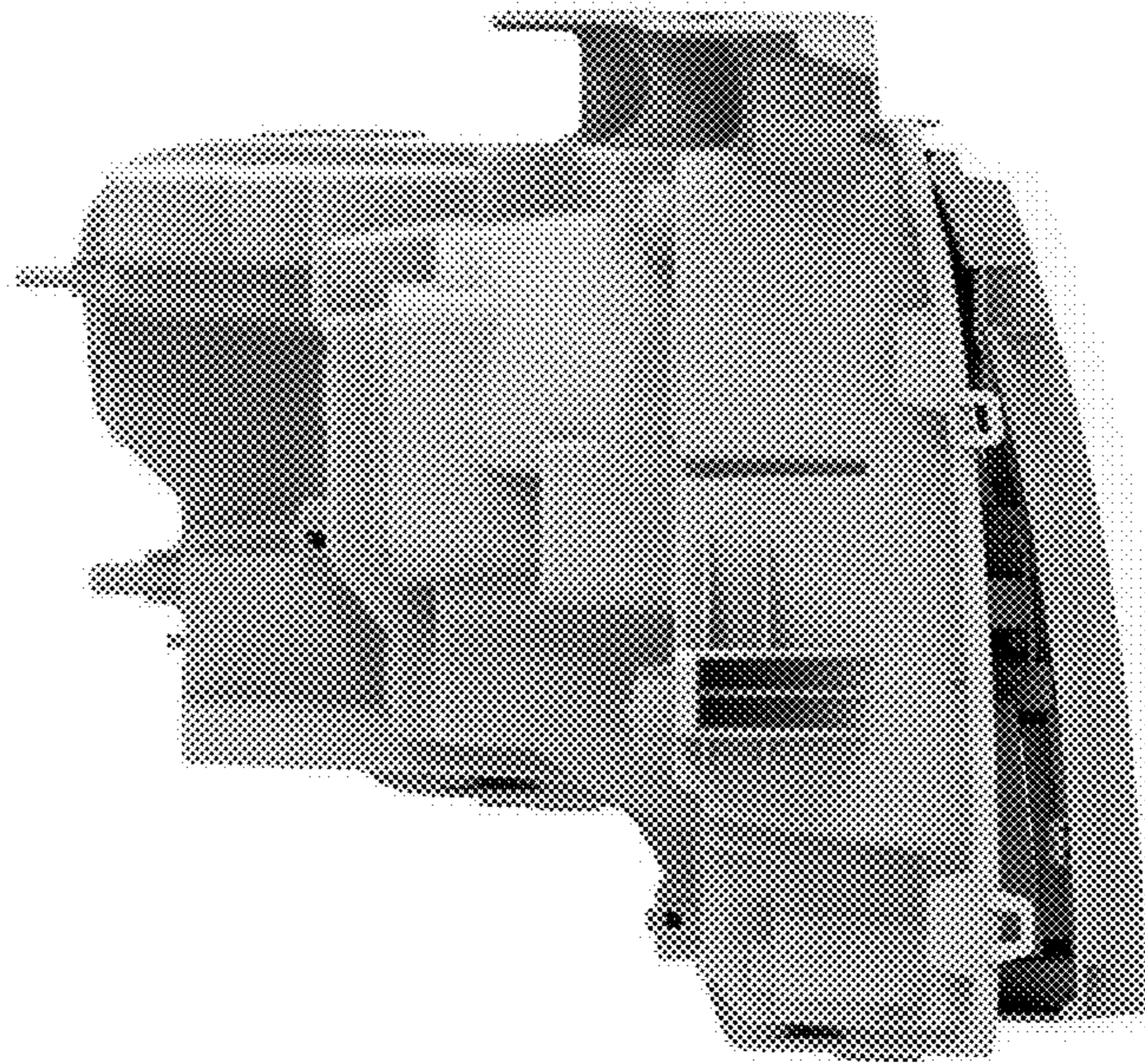


FIG.5

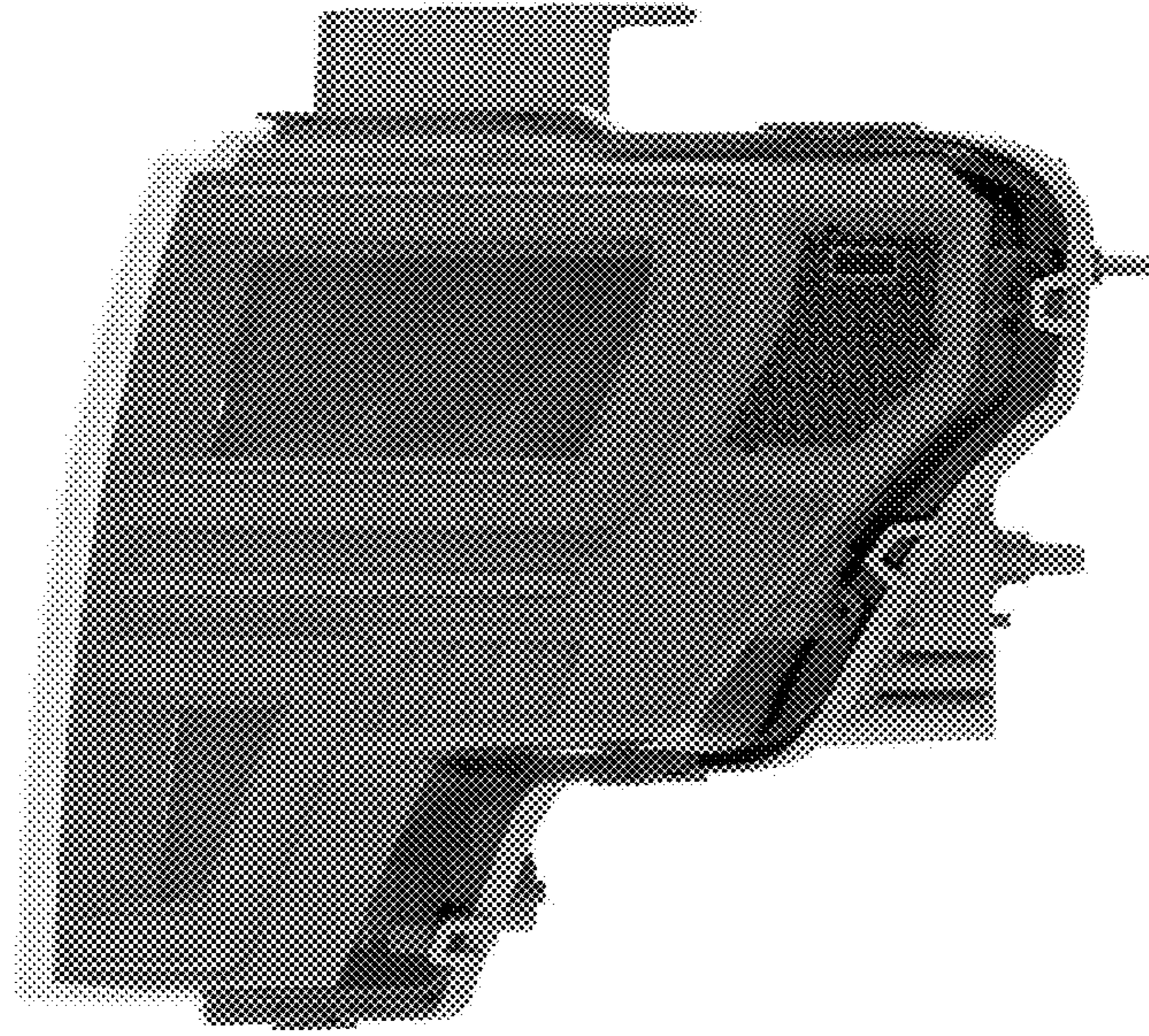


FIG.6

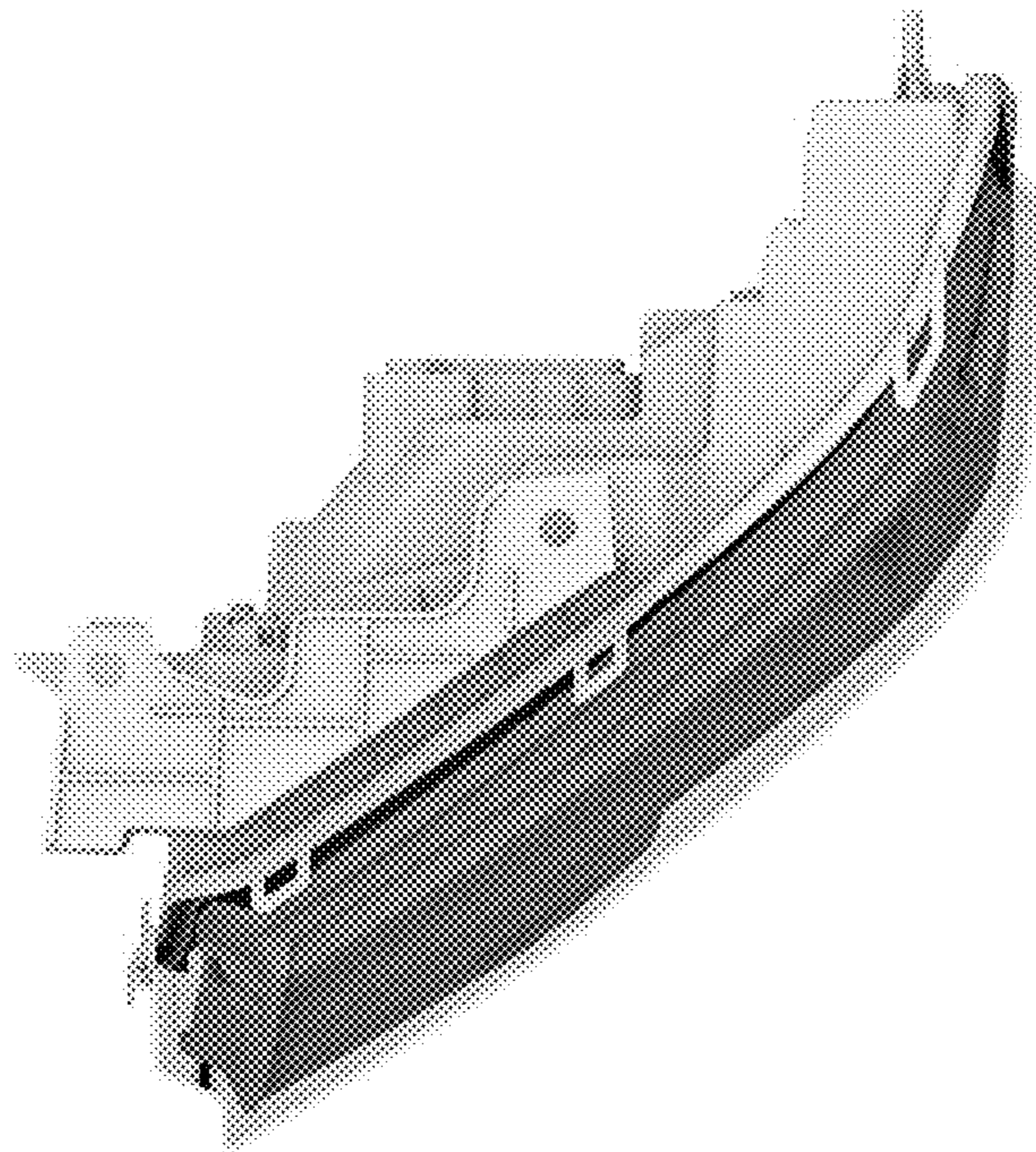


FIG.7

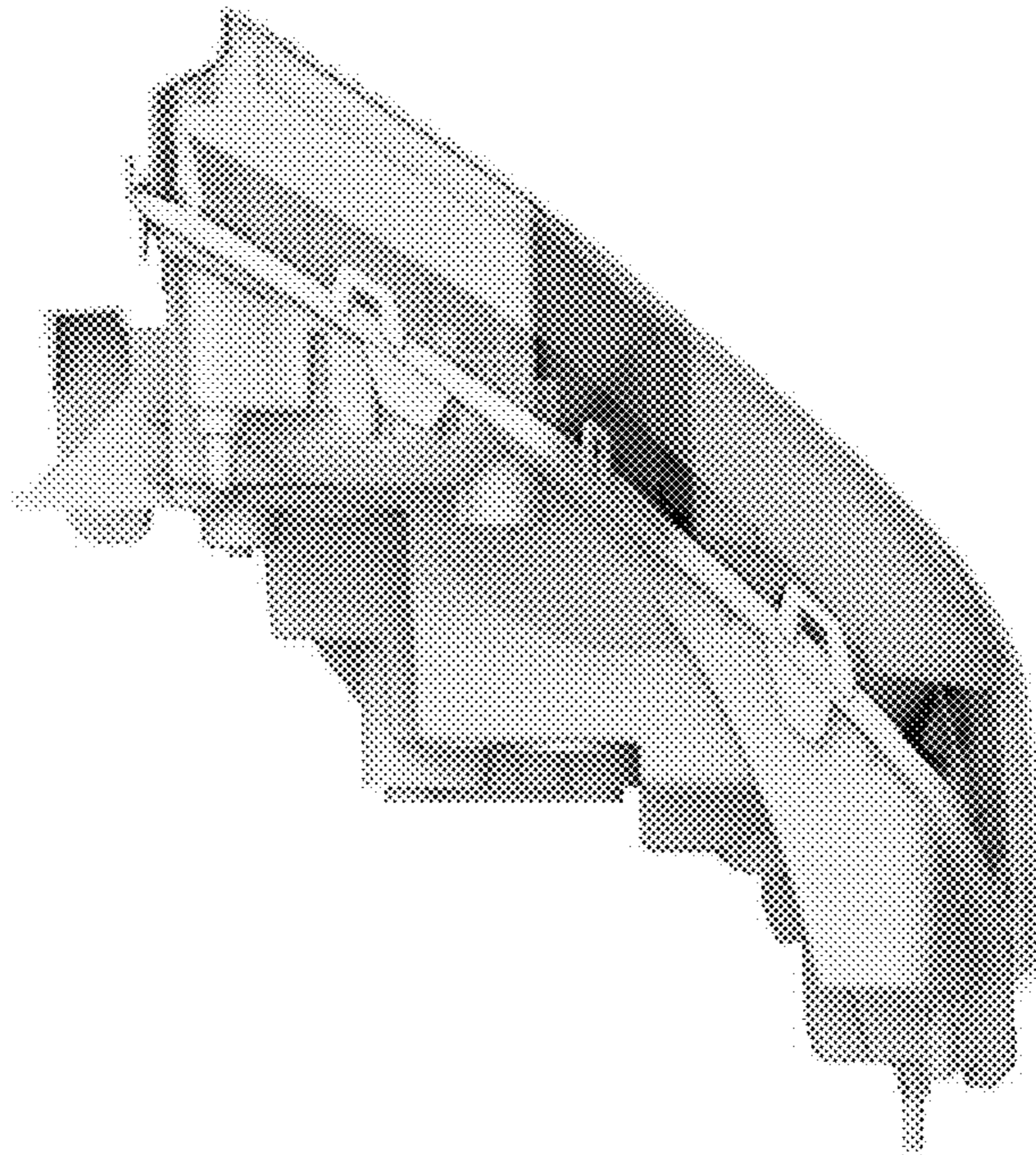


FIG.8

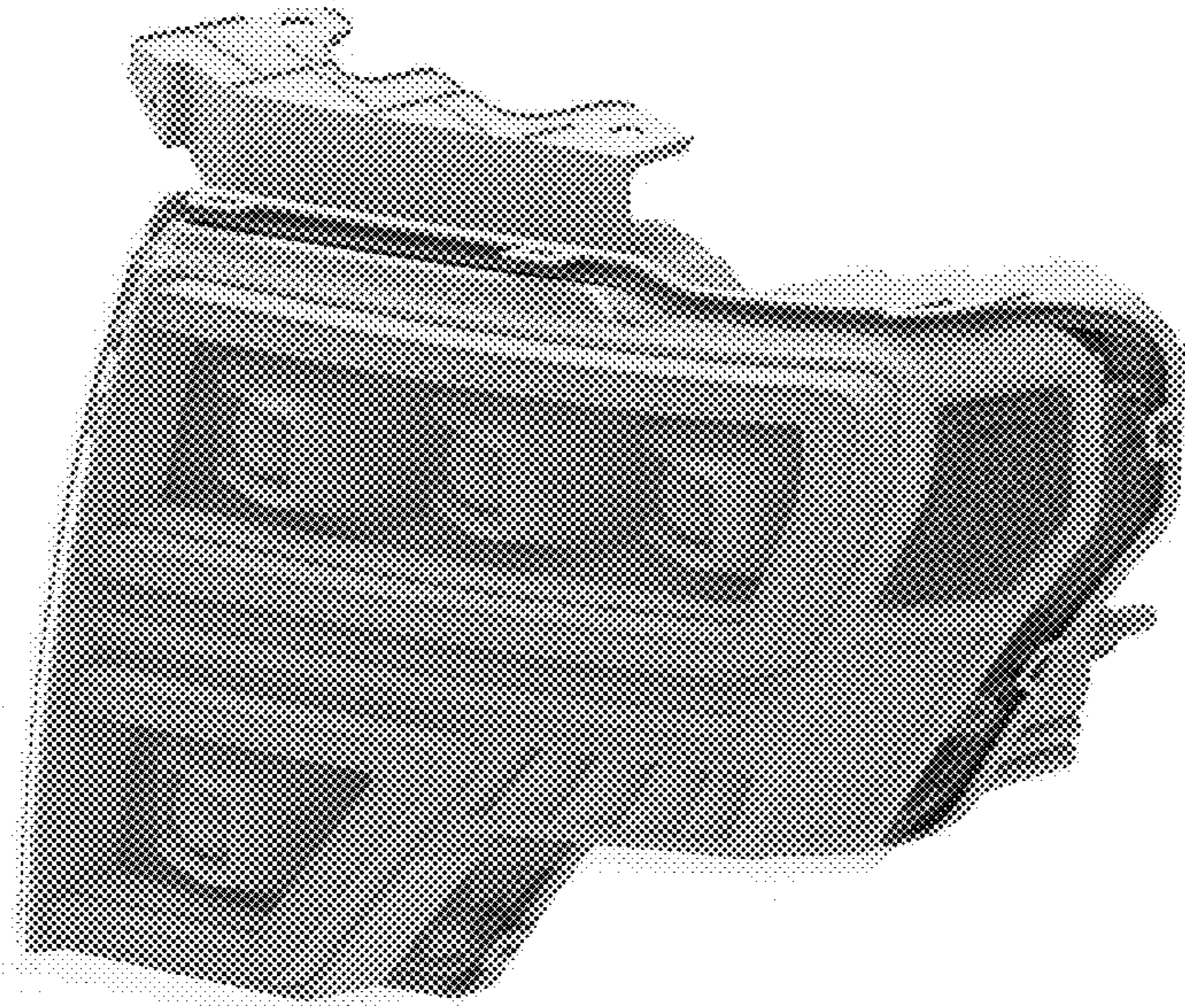


FIG.9

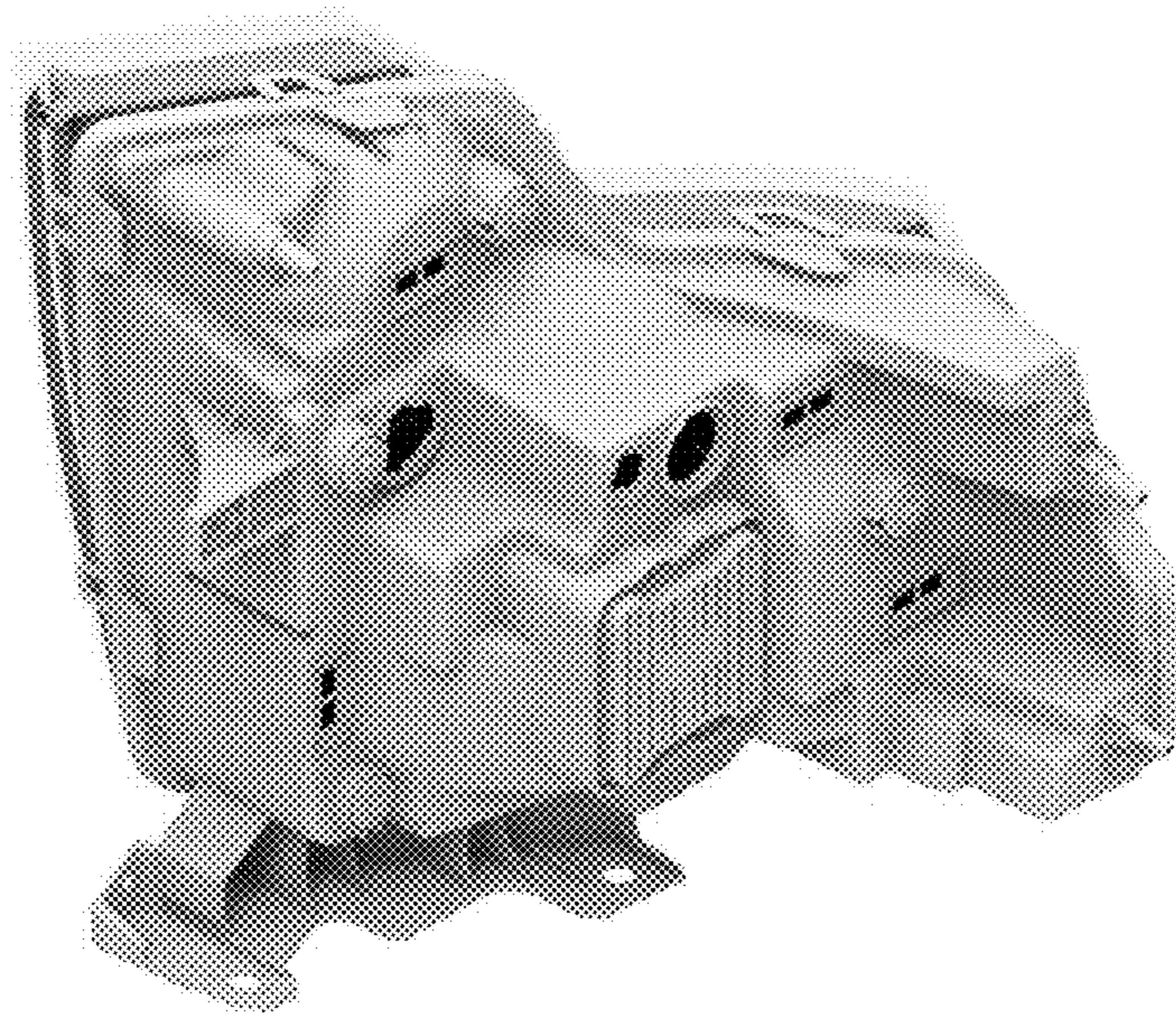


FIG.10



FIG.11

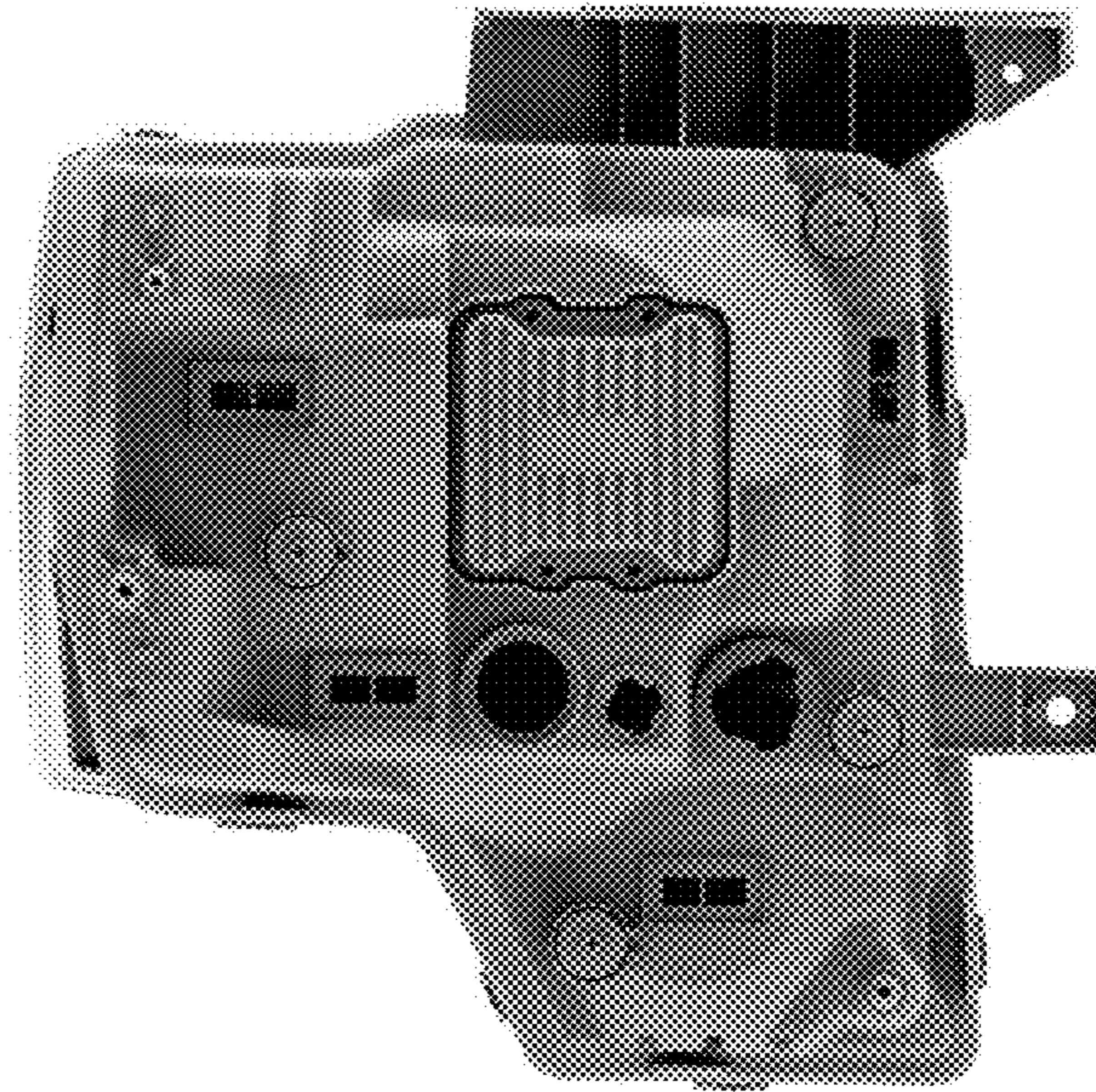


FIG.12

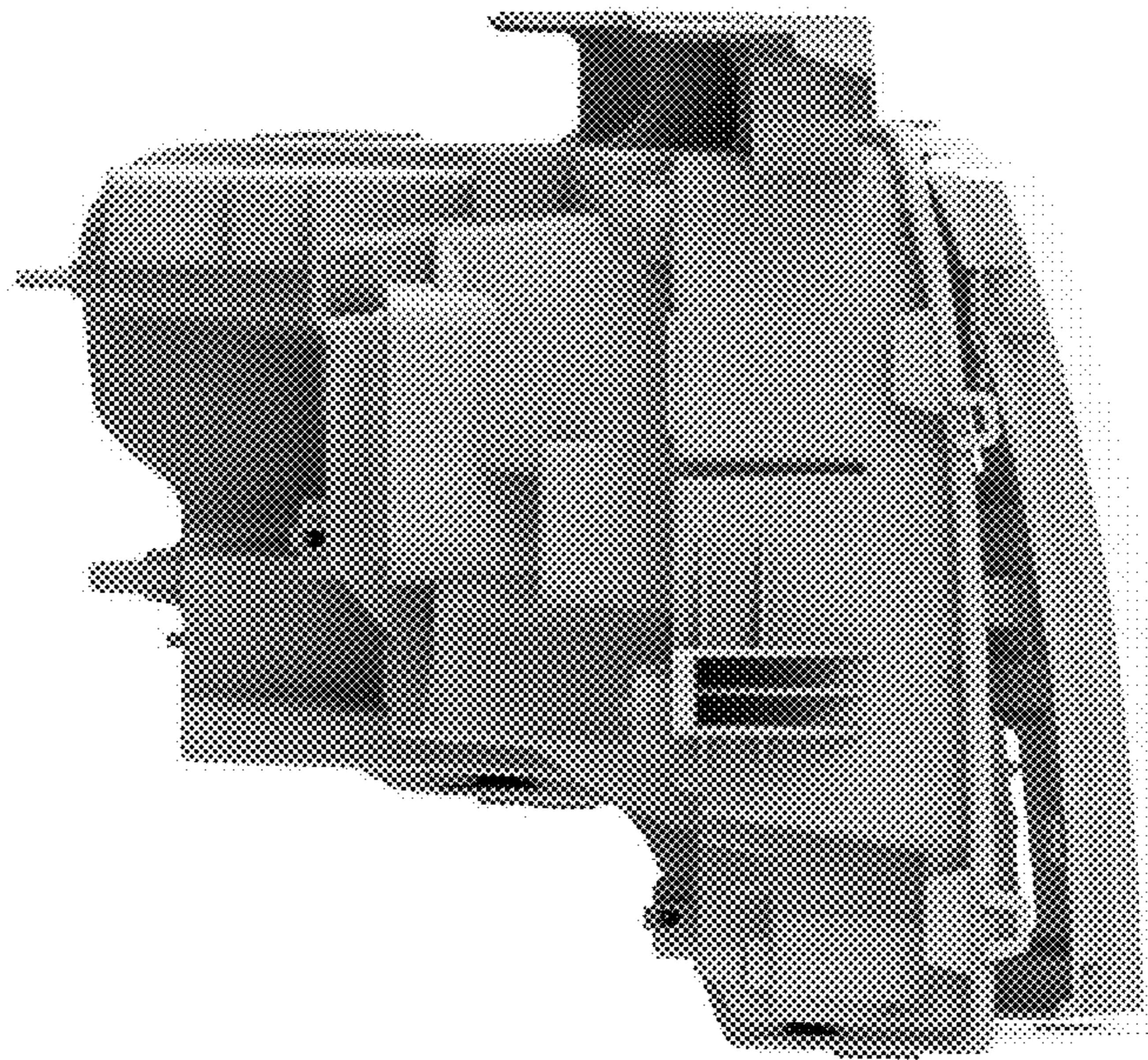


FIG.13

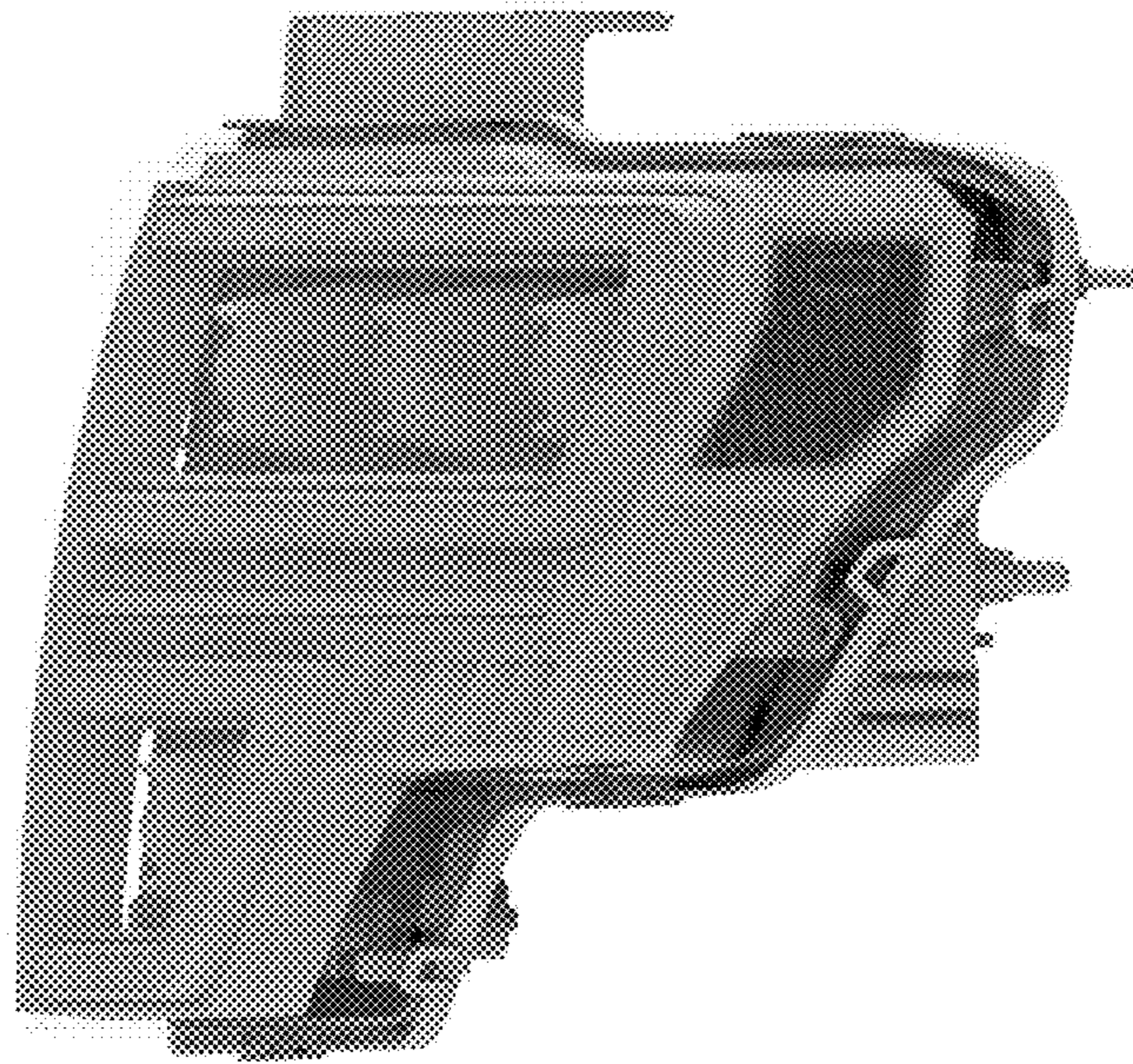


FIG.14

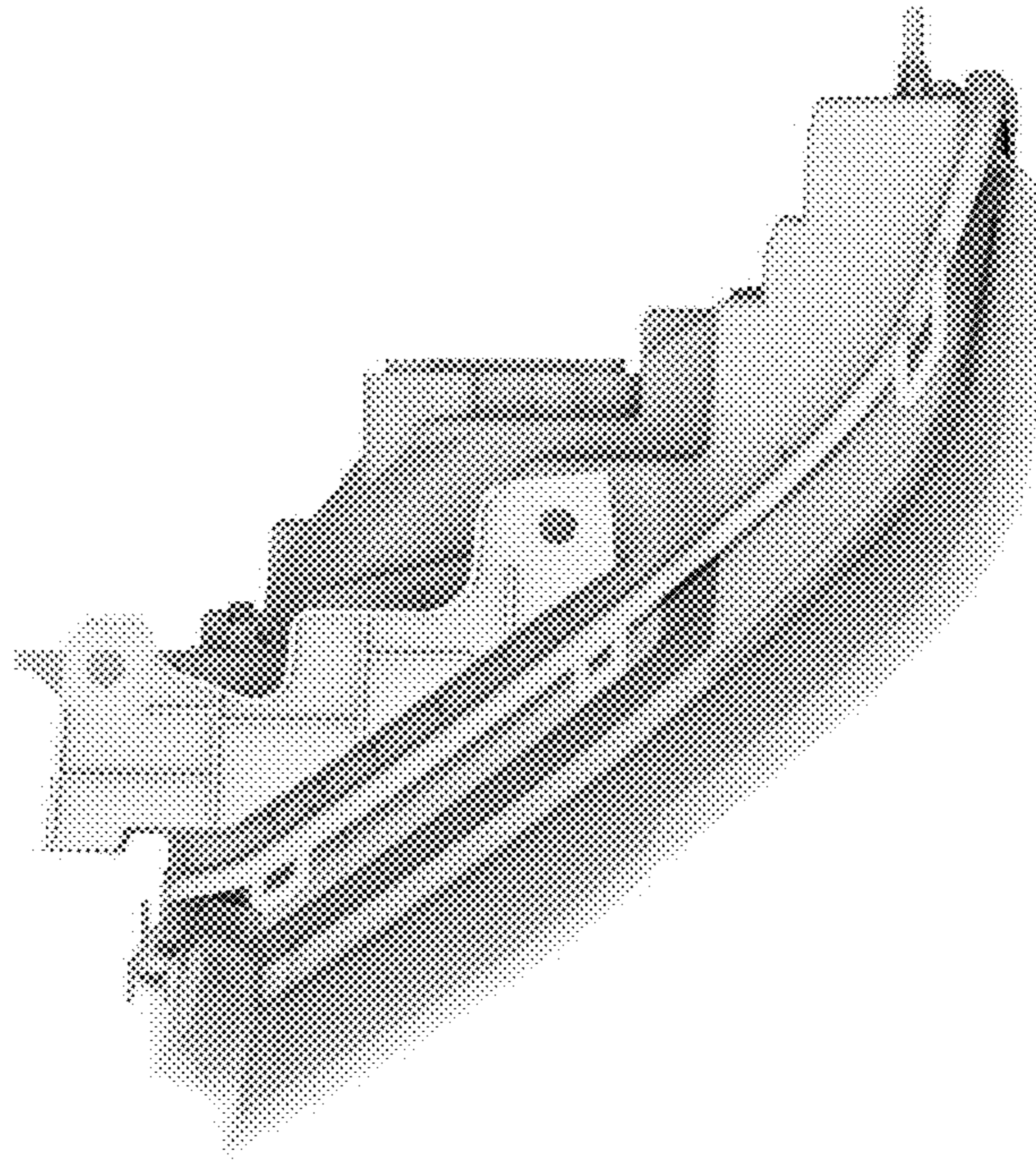


FIG.15

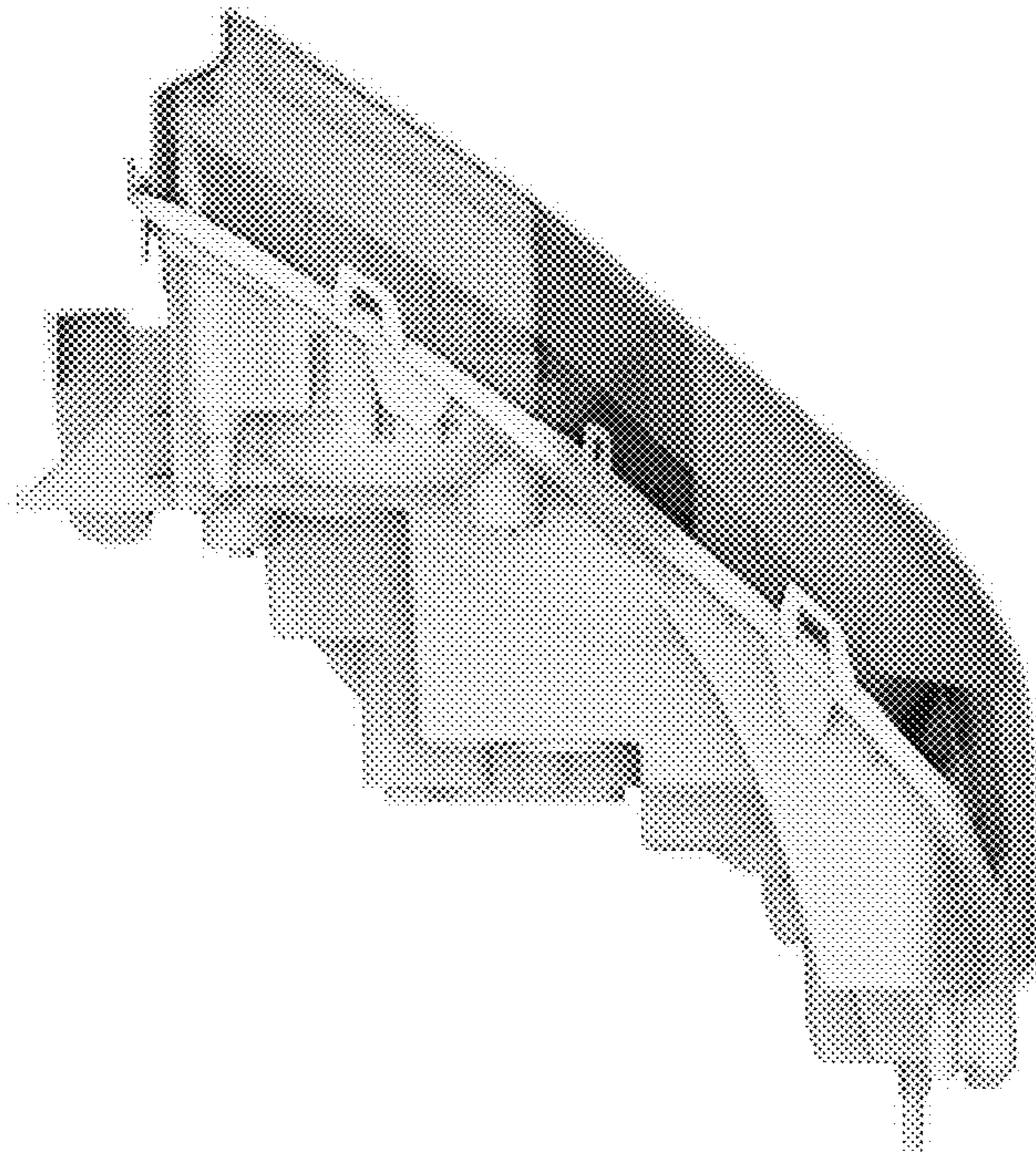


FIG.16