



US00D909643S

(12) **United States Design Patent** (10) **Patent No.:** **US D909,643 S**
Chen (45) **Date of Patent:** **** Feb. 2, 2021**

(54) **CAR HEADLIGHT**

D873,452 S * 1/2020 Lin D26/28
D878,642 S 3/2020 Ren
D881,427 S * 4/2020 Ninov D26/28

(71) Applicant: **ZHEJIANG YUANZHENG AUTO & MOTORCYCLE ACCESSORIES CO., LTD.**, Rui'an (CN)

* cited by examiner

(72) Inventor: **Yu Chen**, Rui'an (CN)

Primary Examiner — Marcus A Jackson

(74) *Attorney, Agent, or Firm* — HYIP

(**) Term: **15 Years**

(57) **CLAIM**

(21) Appl. No.: **29/745,926**

The ornamental design for a car headlight, as shown and described.

(22) Filed: **Aug. 11, 2020**

DESCRIPTION

(51) **LOC (13) Cl.** **26-06**

(52) **U.S. Cl.**
USPC **D26/28**

(58) **Field of Classification Search**
USPC D26/28–36, 139
CPC F21S 48/00; F21S 48/10; F21S 48/115;
F21S 48/225; F21S 48/1233; F21S 48/1266; F21S 48/1388; F21S 48/2268;
F21V 21/04; F21V 29/004; F21W 2103/35; F21W 3/40; F21W 2102/17;
F21W 2102/30; F21W 2103/00; F21W 2103/55; F21W 2104/00; F21W 2107/13;
F21W 2107/17

See application file for complete search history.

FIG. 1 is a first perspective view of a first embodiment of a car headlight showing my new design;
FIG. 2 is a second perspective view of the first embodiment thereof;
FIG. 3 is a front view of the first embodiment thereof;
FIG. 4 is a back view of the first embodiment thereof;
FIG. 5 is a left side view of the first embodiment thereof;
FIG. 6 is a right side view of the first embodiment thereof;
FIG. 7 is a top view of the first embodiment thereof;
FIG. 8 is a bottom view of the first embodiment thereof;
FIG. 9 is a first perspective view of a second embodiment of a car headlight showing my new design;
FIG. 10 is a second perspective view of the second embodiment thereof;
FIG. 11 is a front view of the second embodiment thereof;
FIG. 12 is a back view of the second embodiment thereof;
FIG. 13 is a left side view of the second embodiment thereof;
FIG. 14 is a right side view of the second embodiment thereof;
FIG. 15 is a top view of the second embodiment thereof;
and,
FIG. 16 is a bottom view of the second embodiment thereof.

(56) **References Cited**

U.S. PATENT DOCUMENTS

D593,233 S 5/2009 Bai et al.
D597,689 S 8/2009 Sun et al.
D747,518 S * 1/2016 Lai D26/28
D842,503 S * 3/2019 Yang D26/28
D844,199 S * 3/2019 Lin D26/28
D850,677 S * 6/2019 Lin D26/28
D862,753 S * 10/2019 Lin D26/28
D868,318 S * 11/2019 Lai D26/28

1 Claim, 16 Drawing Sheets

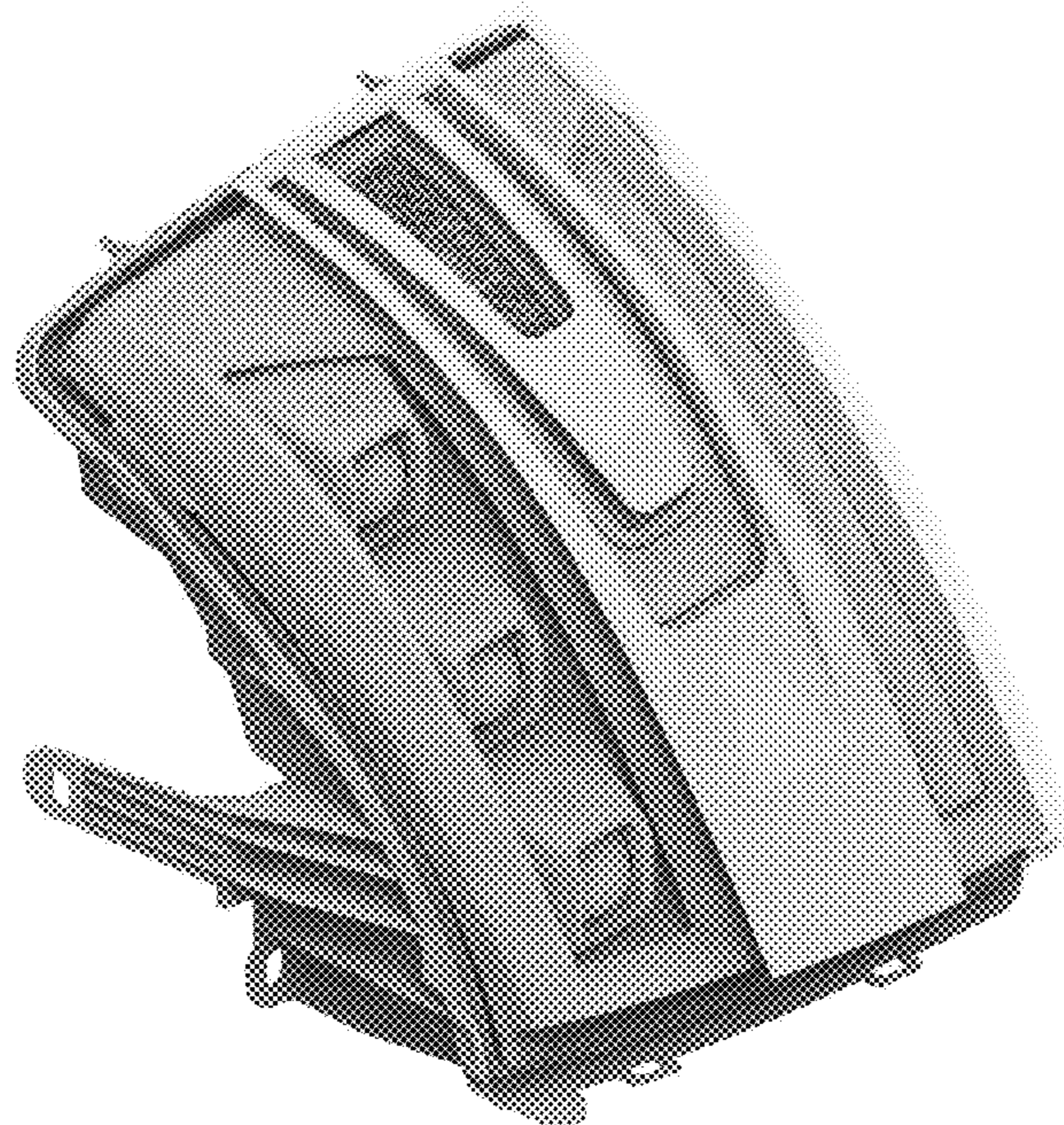




FIG. 1

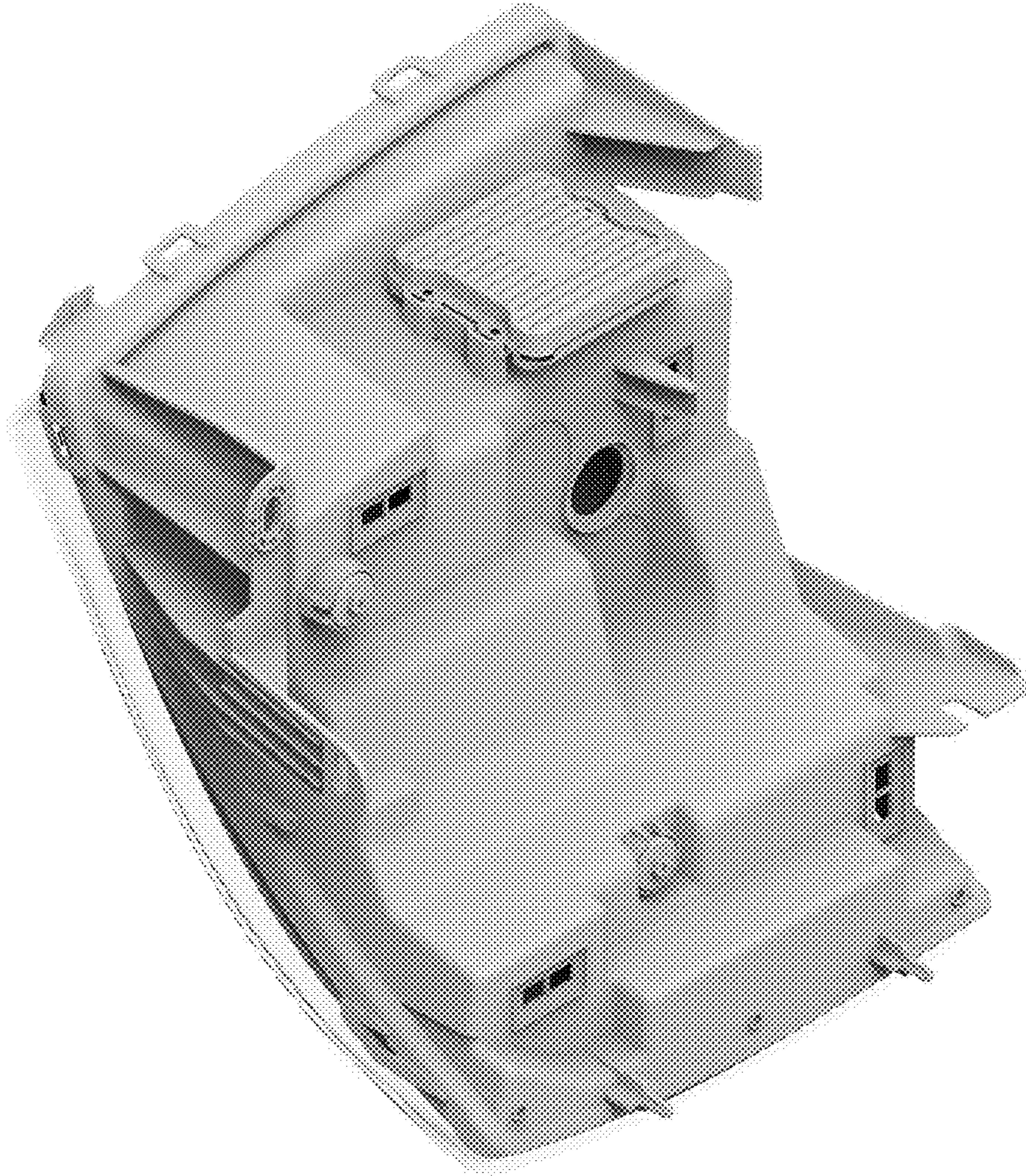


FIG. 2



FIG. 3



FIG. 4

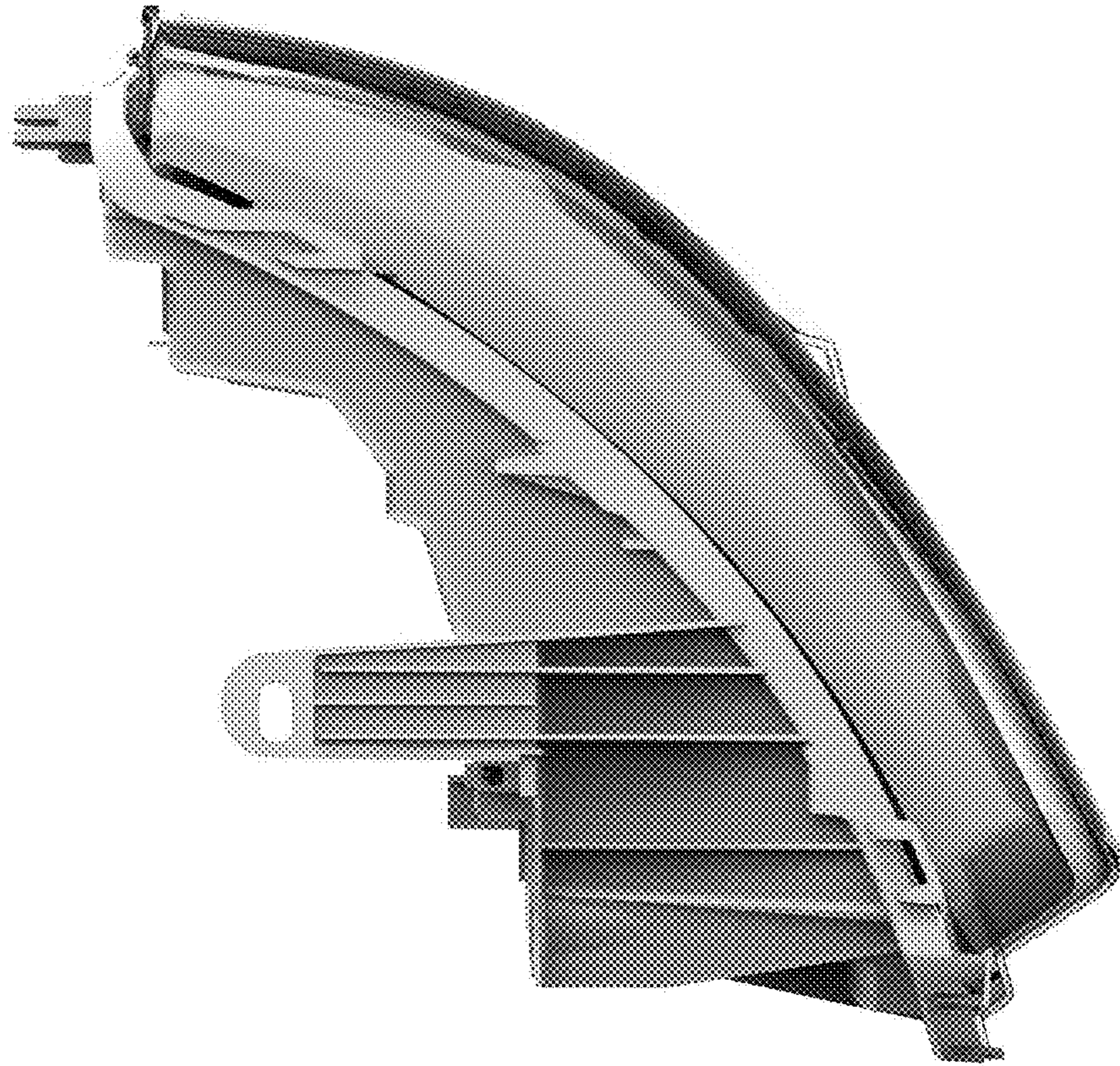


FIG. 5

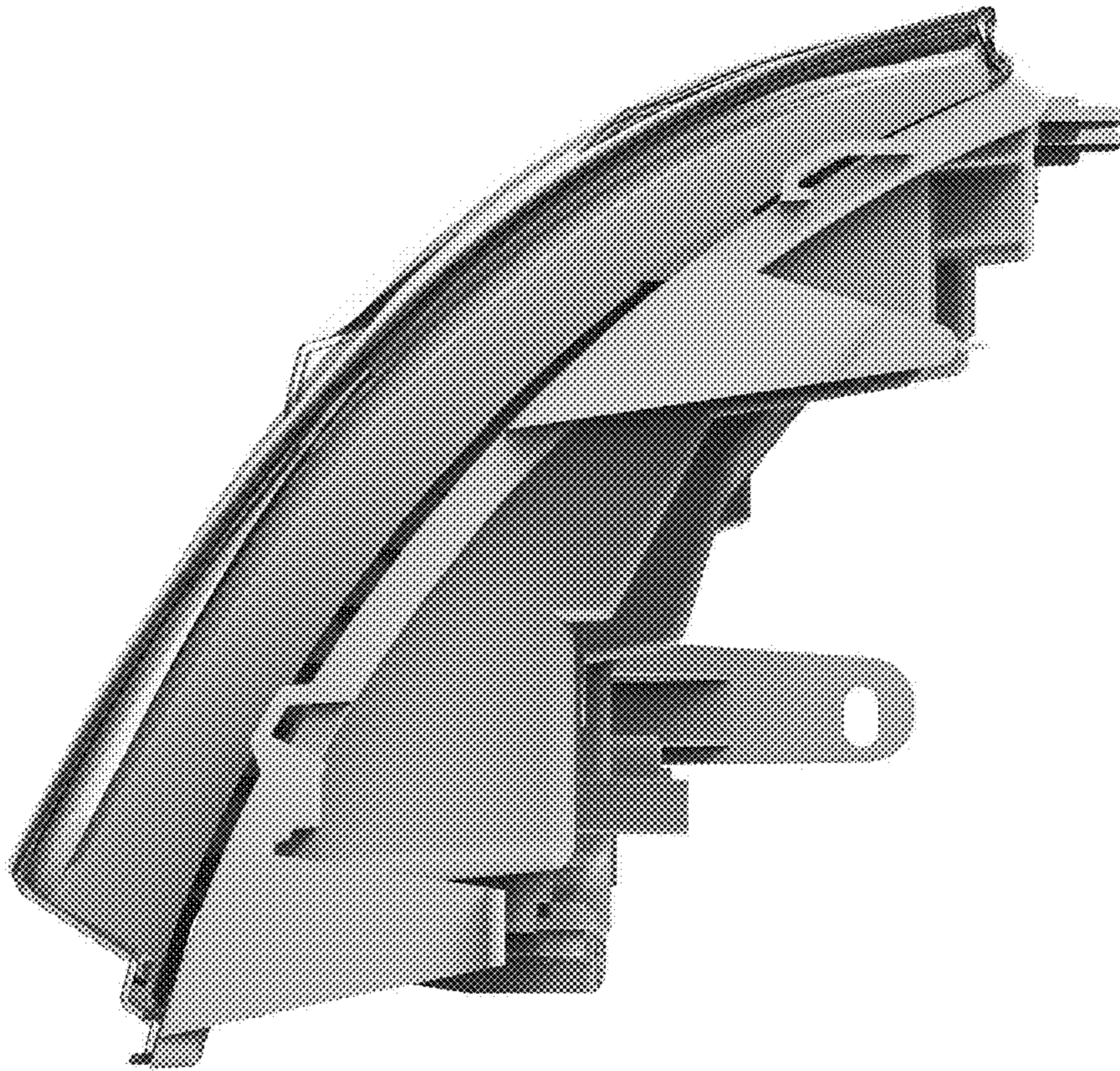


FIG. 6

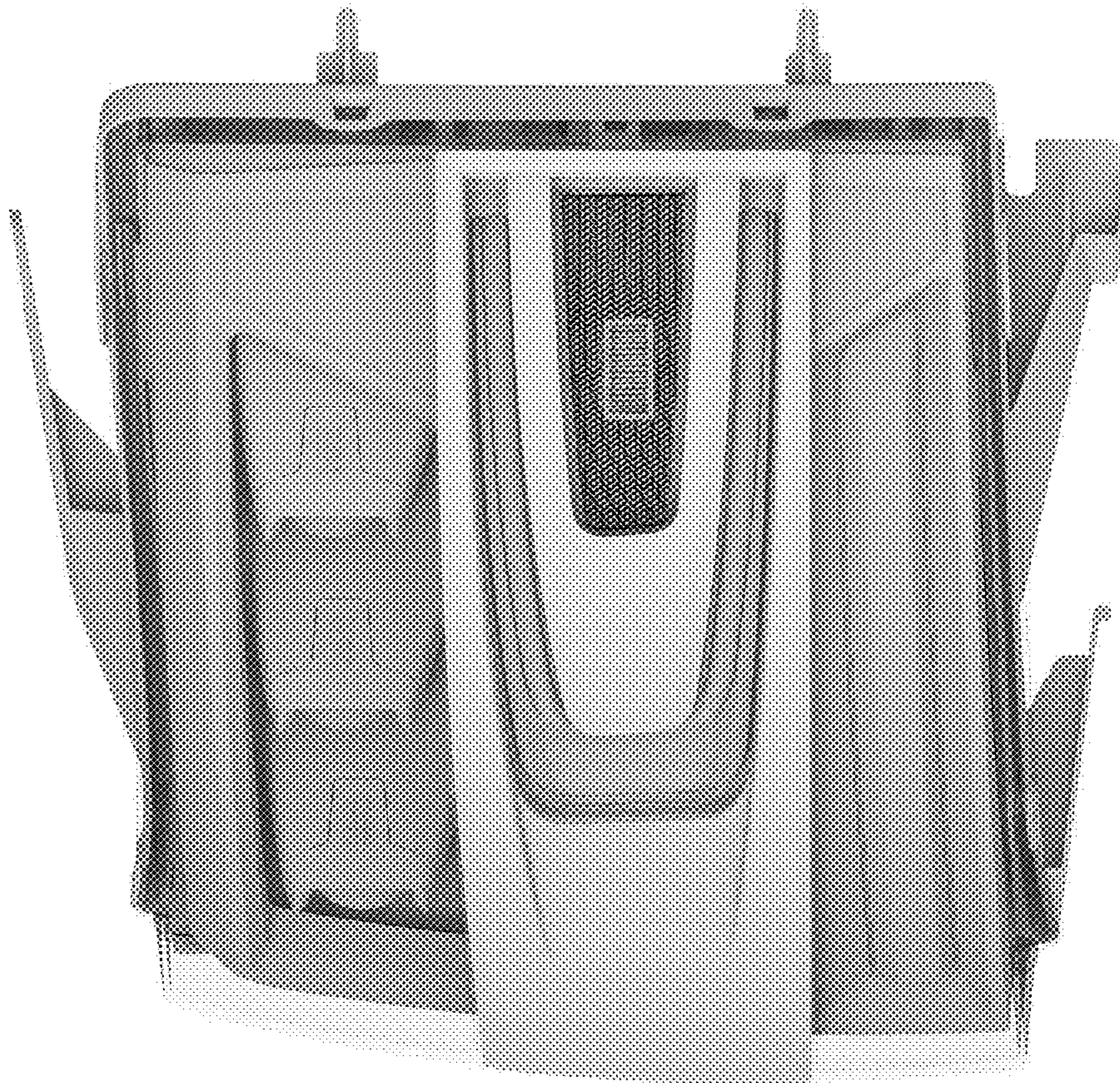


FIG. 7

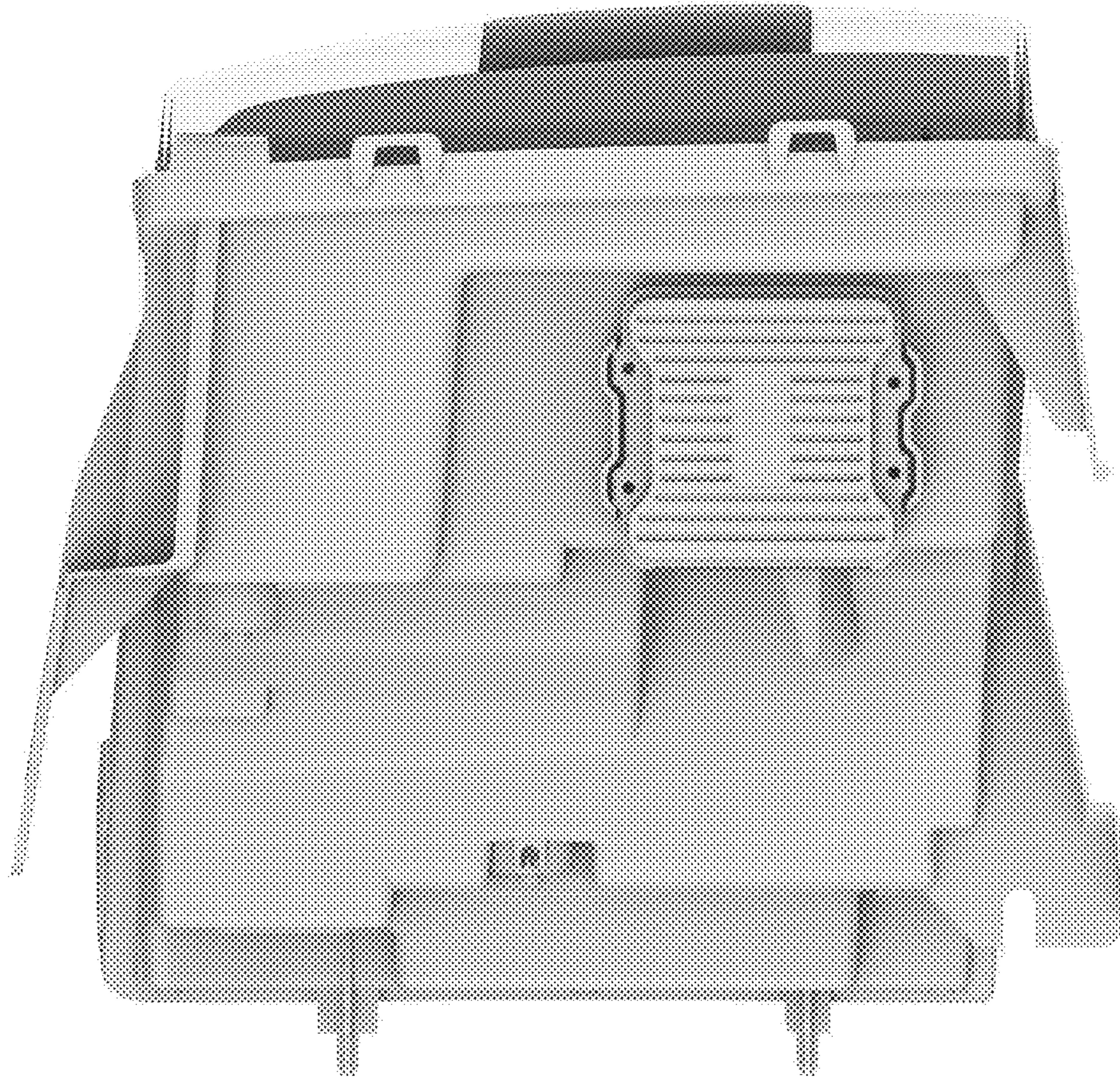


FIG. 8



FIG. 9

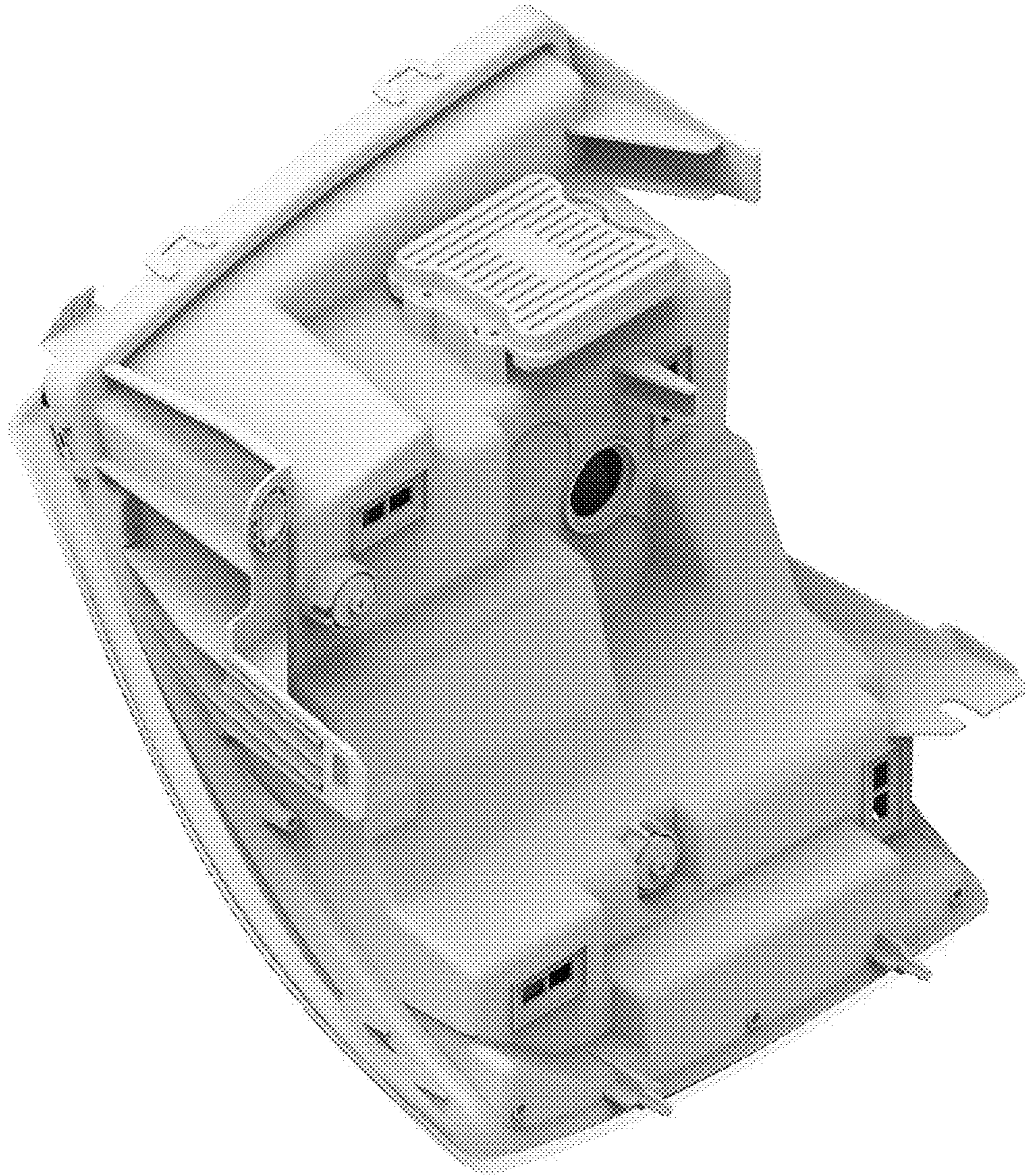


FIG. 10



FIG. 11

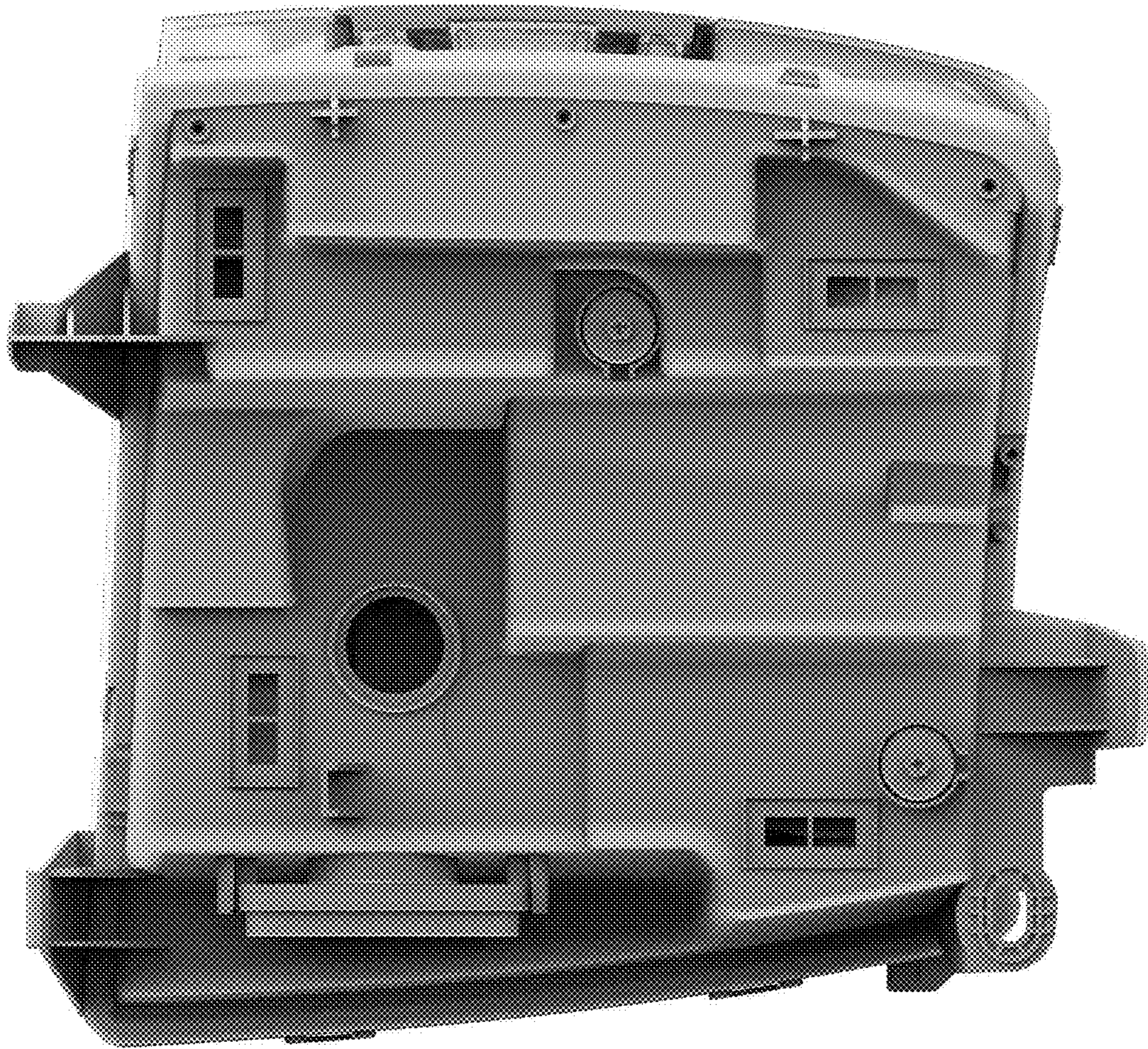


FIG. 12

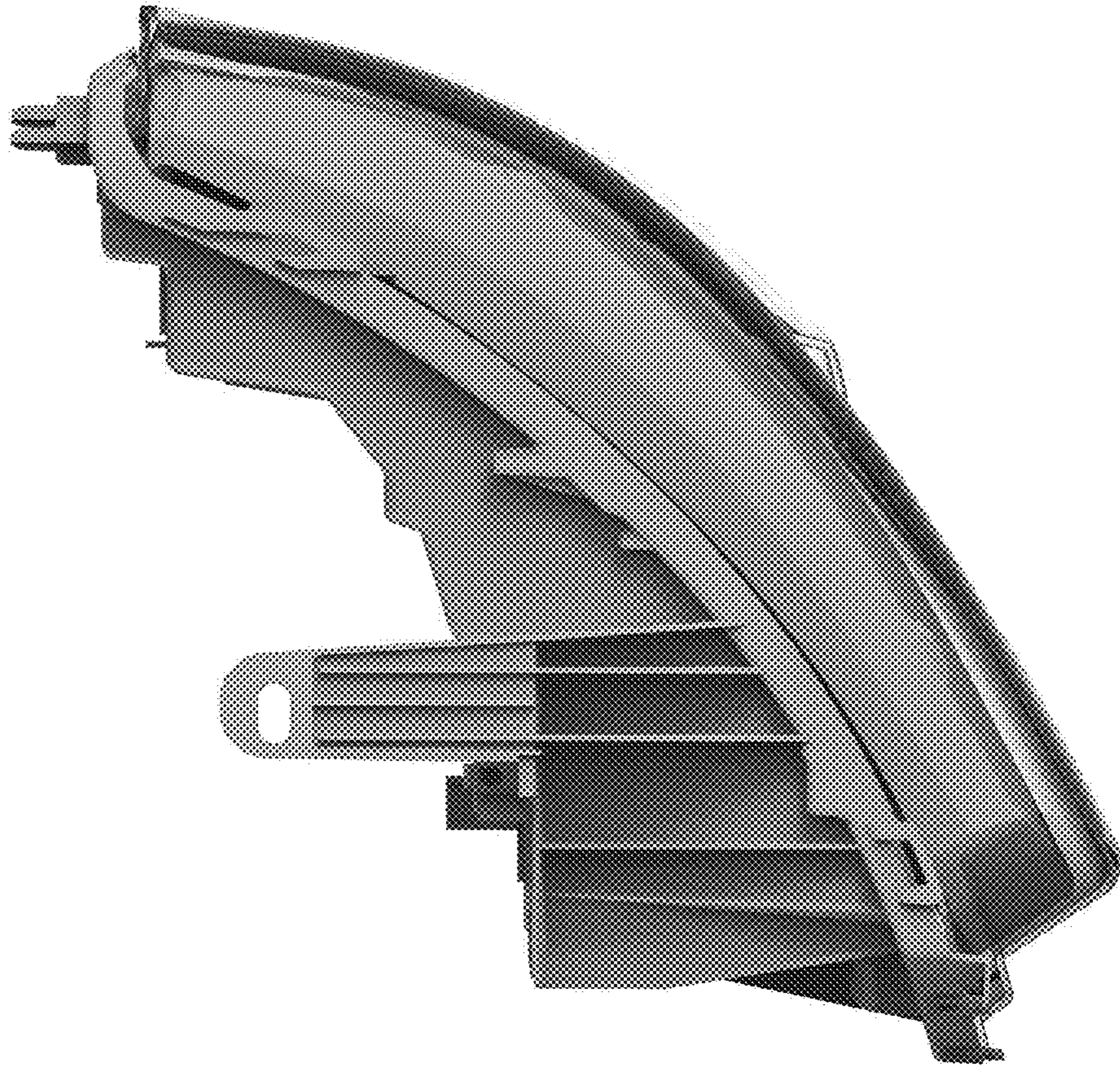


FIG. 13



FIG. 14

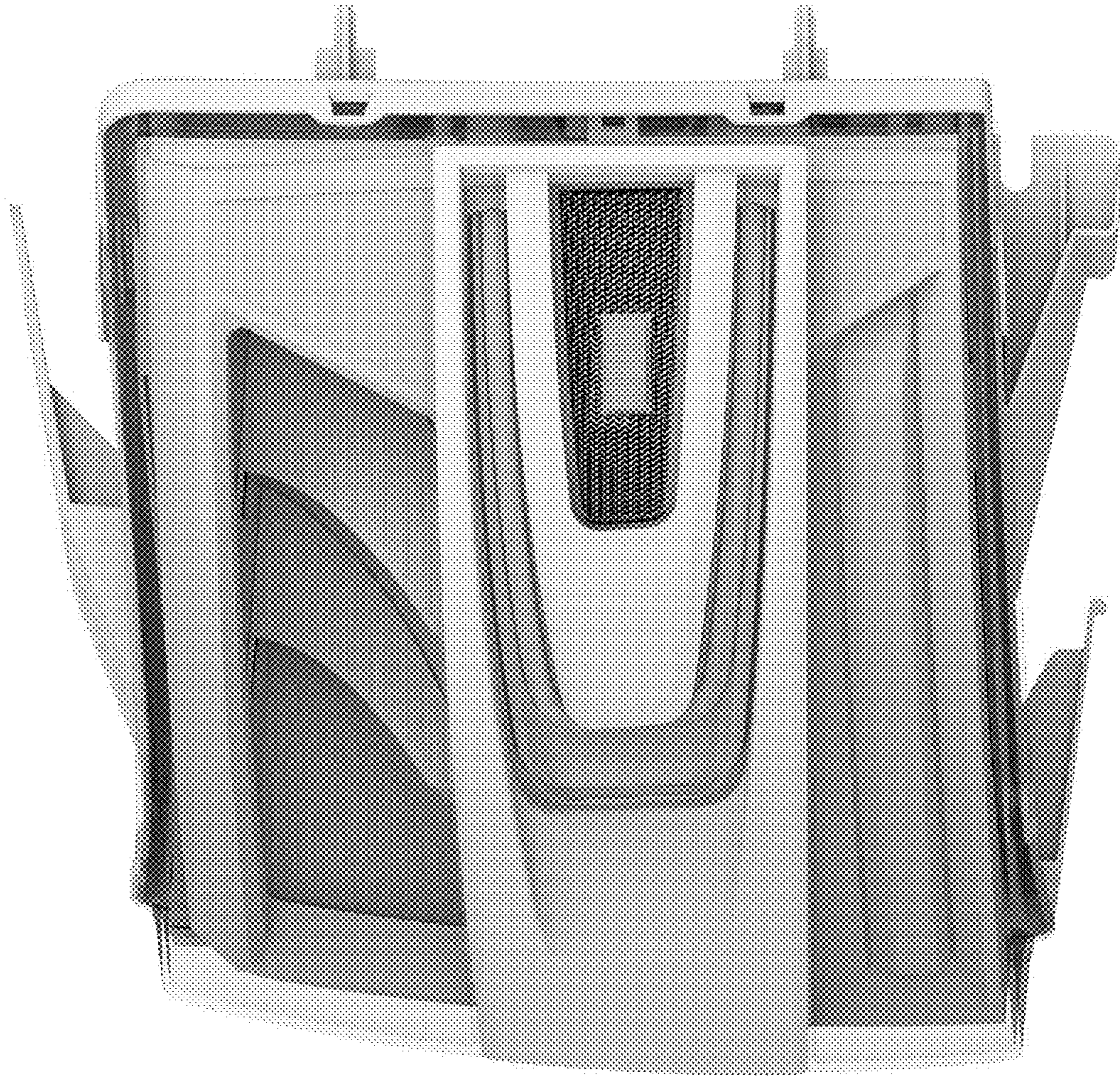


FIG. 15

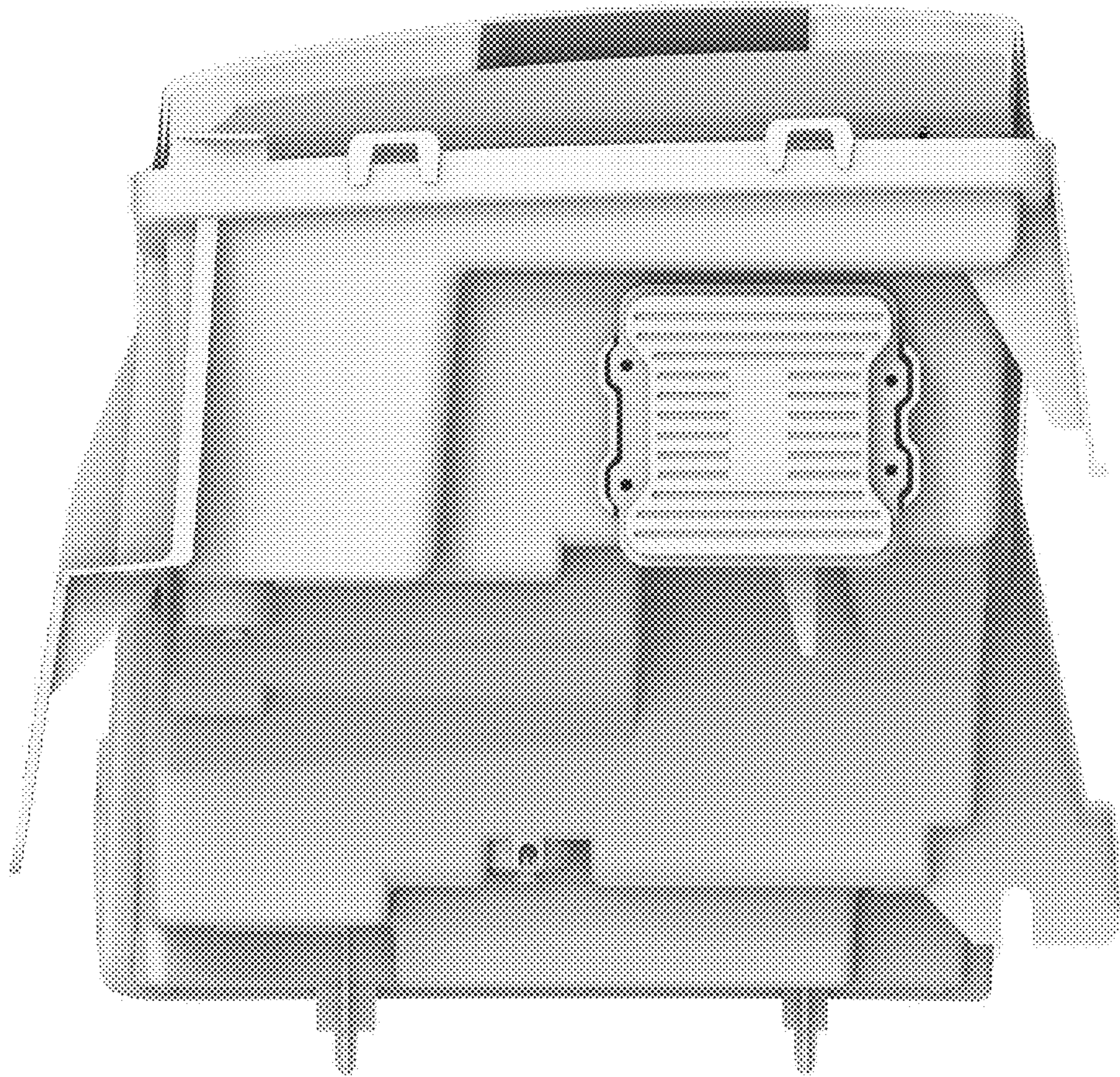


FIG. 16