



US00D909642S

(12) **United States Design Patent**  
**Chen**

(10) **Patent No.:** **US D909,642 S**

(45) **Date of Patent:** **\*\* Feb. 2, 2021**

(54) **CAR HEADLIGHT**

(71) Applicant: **ZHEJIANG YUANZHENG  
AUTO&MOTORCYCLE  
ACCESSORIES CO., LTD.**, Rui'an  
(CN)

(72) Inventor: **Yu Chen**, Rui'an (CN)

(\*\*) Term: **15 Years**

(21) Appl. No.: **29/740,869**

(22) Filed: **Jul. 8, 2020**

(51) **LOC (13) Cl.** ..... **26-06**

(52) **U.S. Cl.**  
USPC ..... **D26/28**

(58) **Field of Classification Search**  
USPC ..... D26/28-36, 139  
CPC ..... F21S 48/00; F21S 48/10; F21S 48/115;  
F21S 48/225; F21S 48/1233; F21S  
48/1266; F21S 48/1388; F21S 48/2268;  
F21V 21/04; F21V 29/004; F21W  
2103/35; F21W 3/40; F21W 2102/17;  
F21W 2102/30; F21W 2103/00; F21W  
2103/55; F21W 2104/00; F21W 2107/13;  
F21W 2107/17; B60Q 9/13; B60Q 9/135;  
B60Q 9/1375

See application file for complete search history.

(56) **References Cited**

**U.S. PATENT DOCUMENTS**

D538,956 S \* 3/2007 Ishii ..... D26/28  
D544,614 S \* 6/2007 Markefka ..... D26/28

D561,358 S \* 2/2008 Tachibana ..... D26/28  
D593,233 S 5/2009 Bai et al.  
D597,689 S 8/2009 Sun et al.  
D690,852 S \* 10/2013 Cooney ..... D26/28  
D703,848 S \* 4/2014 Mays ..... D26/28  
D737,483 S \* 8/2015 Roberts ..... D26/28  
D772,453 S \* 11/2016 Wheel ..... D26/28  
D807,548 S \* 1/2018 Lin ..... D26/28  
D835,309 S \* 12/2018 Thomas ..... D26/28  
D878,642 S 3/2020 Ren

\* cited by examiner

*Primary Examiner* — Marcus A Jackson

(74) *Attorney, Agent, or Firm* — HYIP

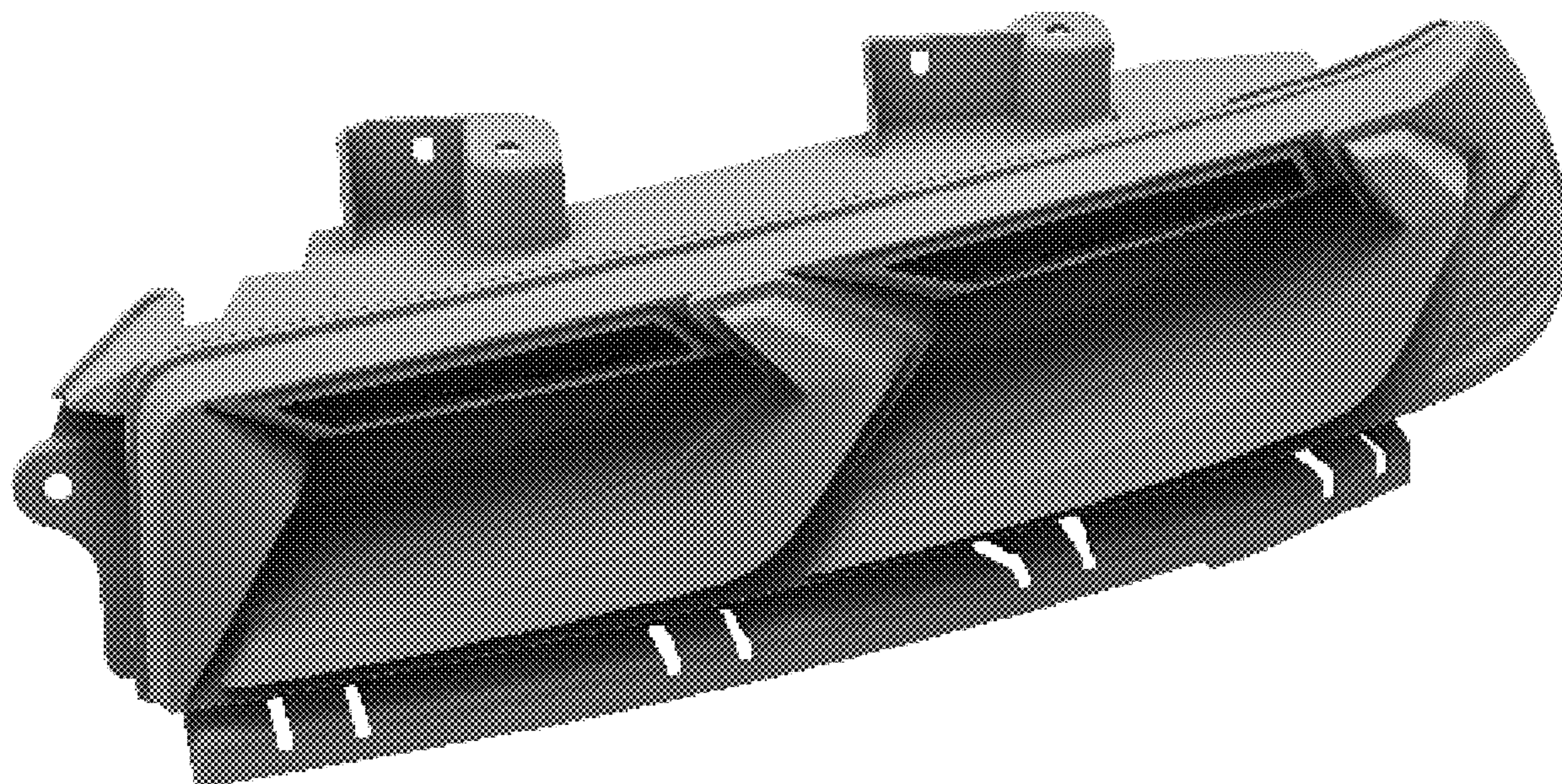
(57) **CLAIM**

The ornamental design for a car headlight, as shown and described.

**DESCRIPTION**

FIG. 1 is a first perspective view of a car headlight showing my new design;  
FIG. 2 is a second perspective view of the thereof;  
FIG. 3 is a front view of the thereof;  
FIG. 4 is a back view of the thereof;  
FIG. 5 is a left side view of the thereof;  
FIG. 6 is a right side view of the thereof;  
FIG. 7 is a top view of the thereof; and,  
FIG. 8 is a bottom view of the thereof.

**1 Claim, 8 Drawing Sheets**



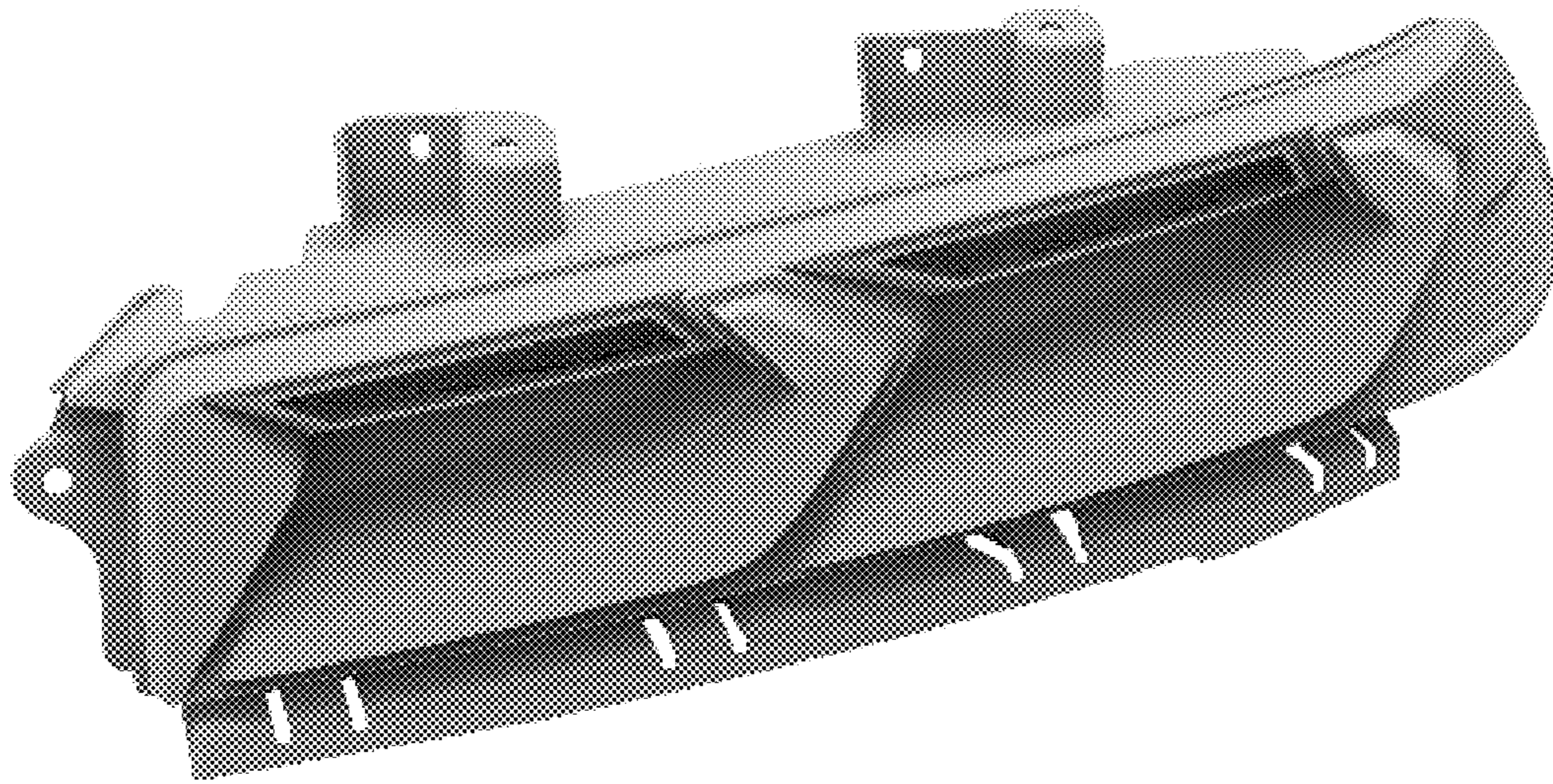


FIG.1

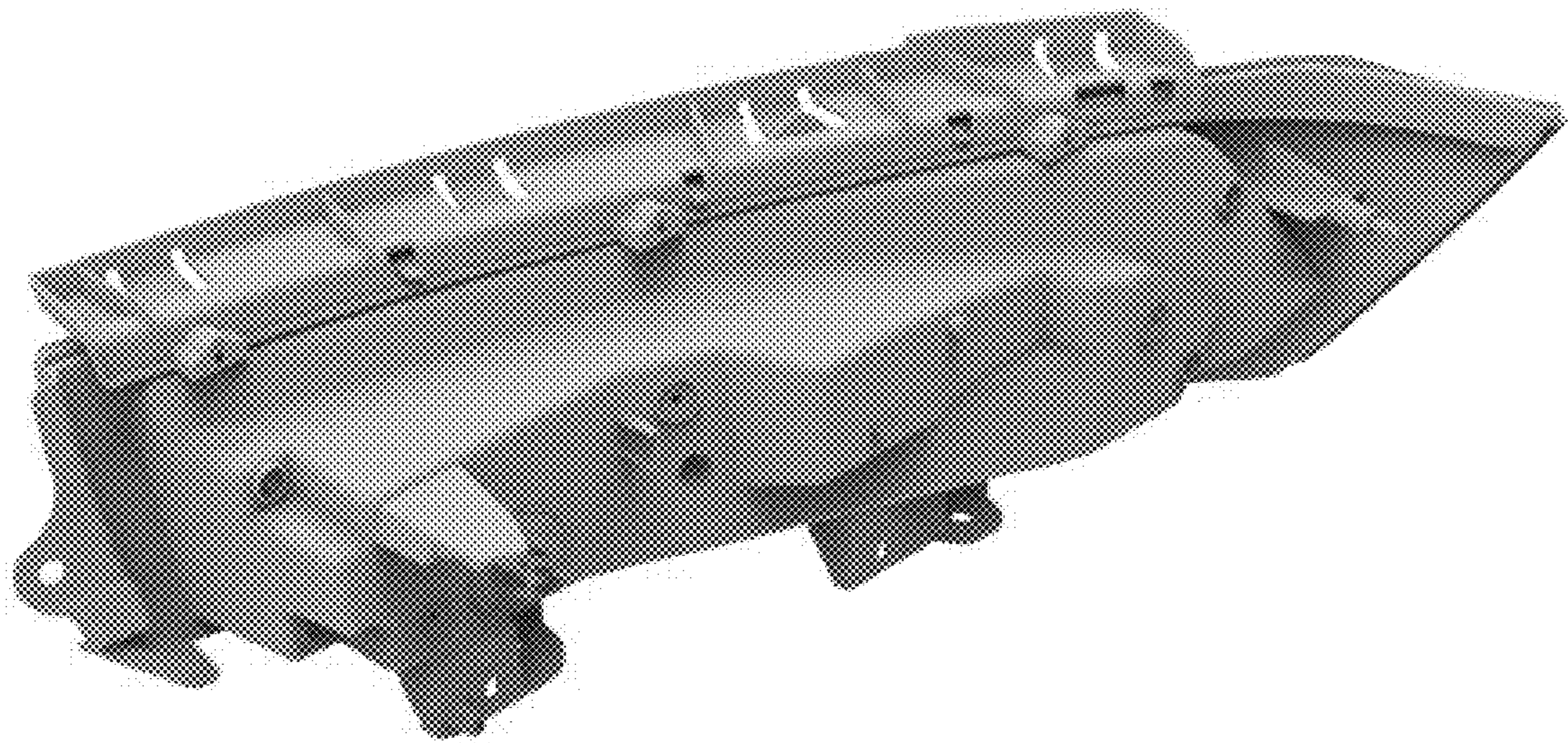


FIG.2

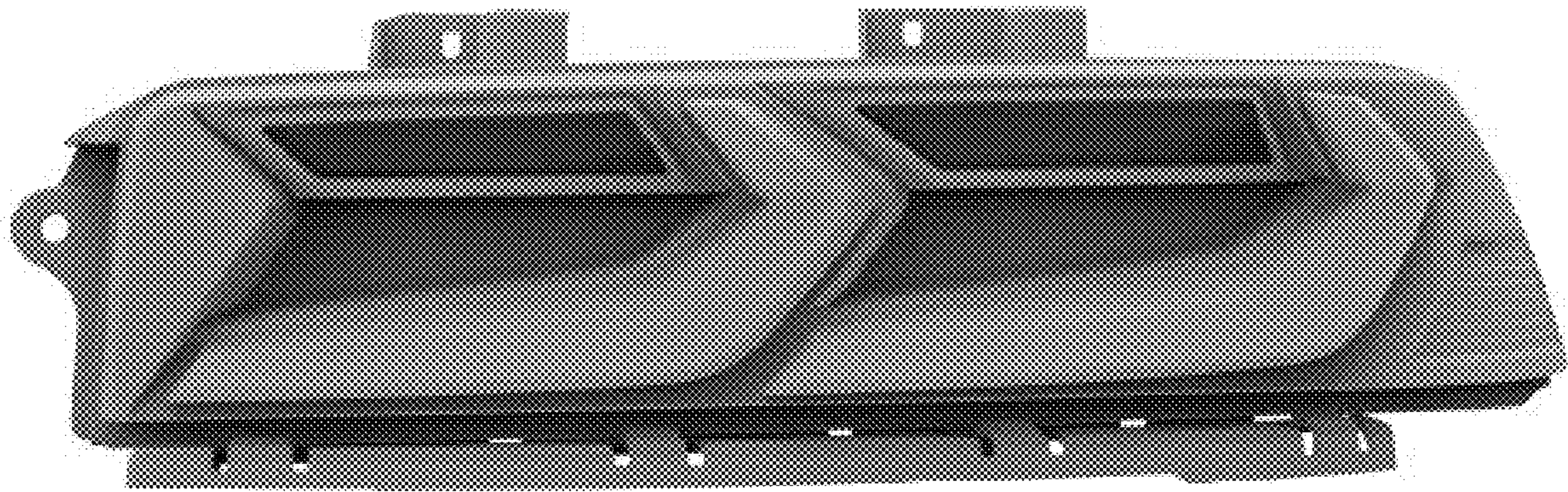


FIG.3

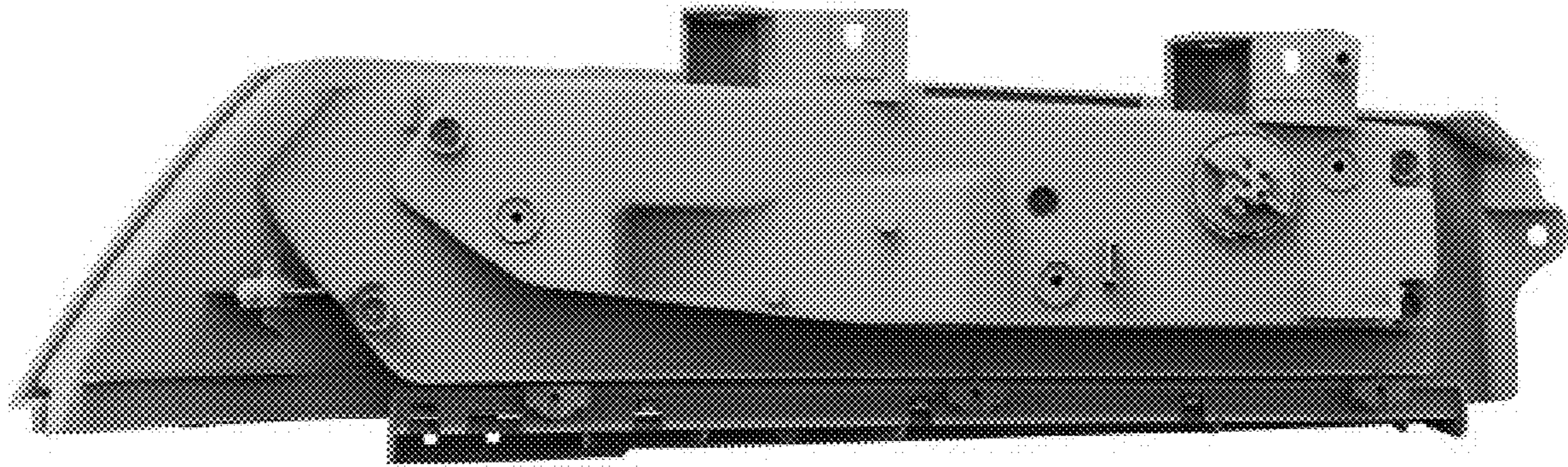


FIG.4

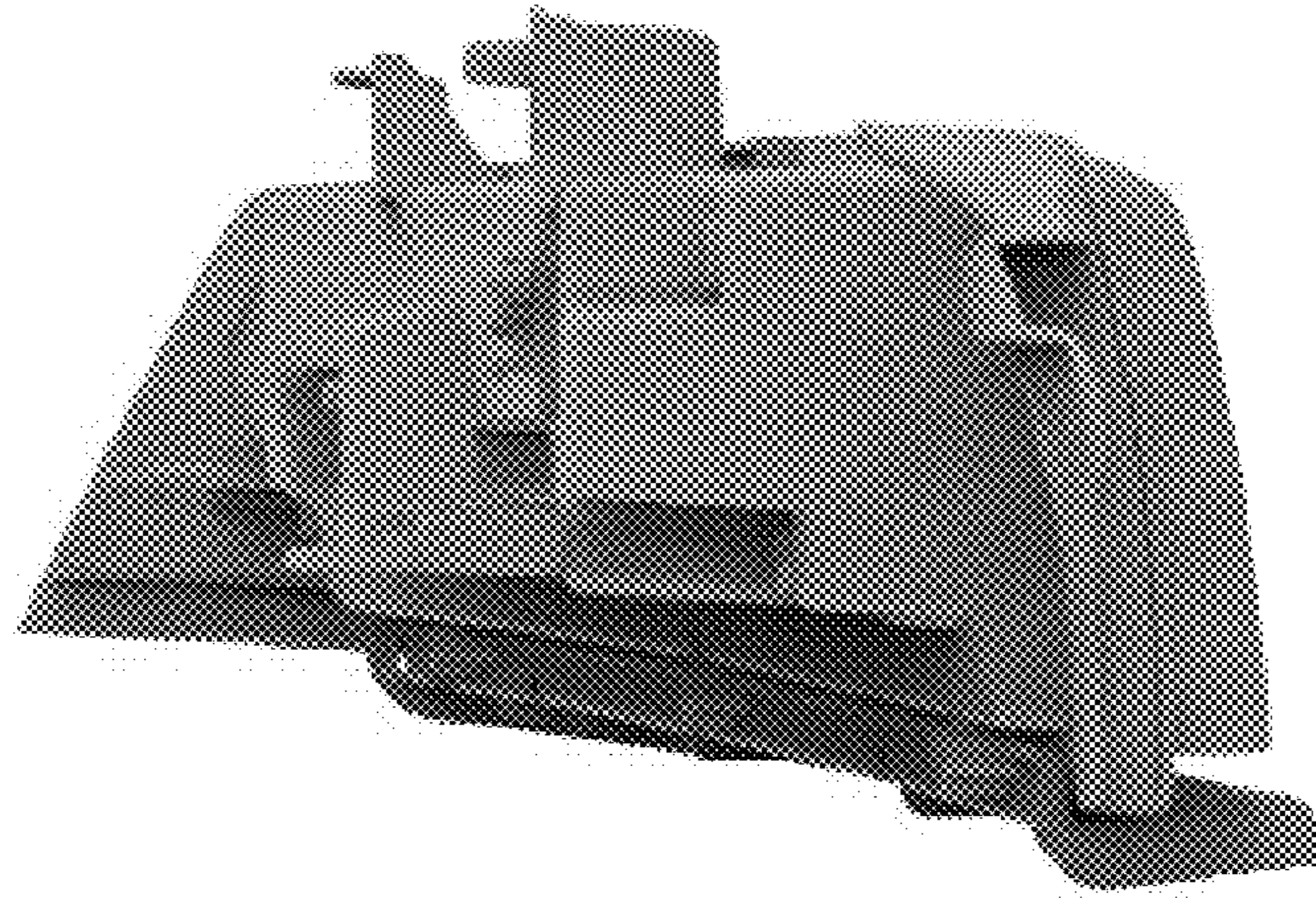


FIG.5

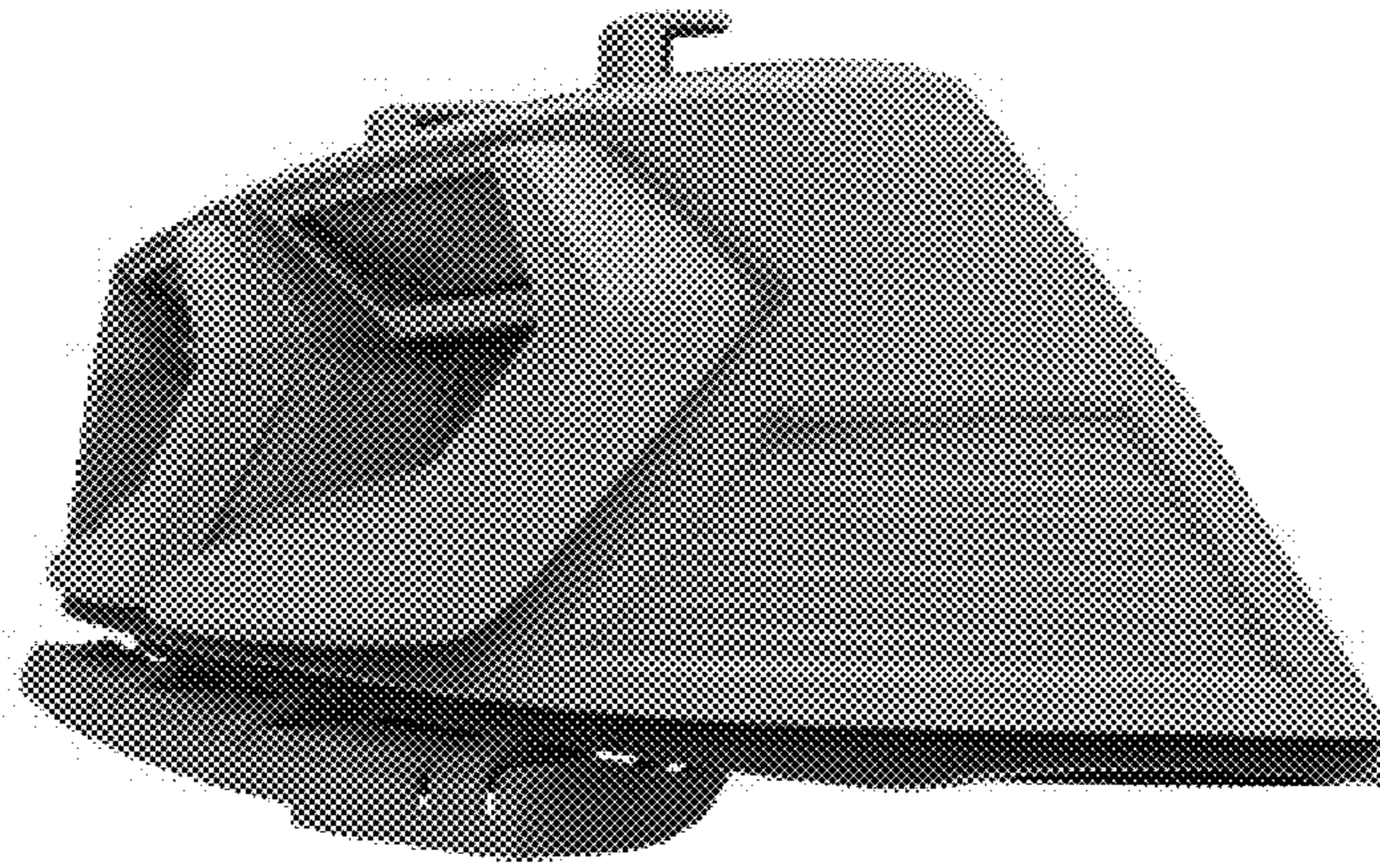


FIG.6

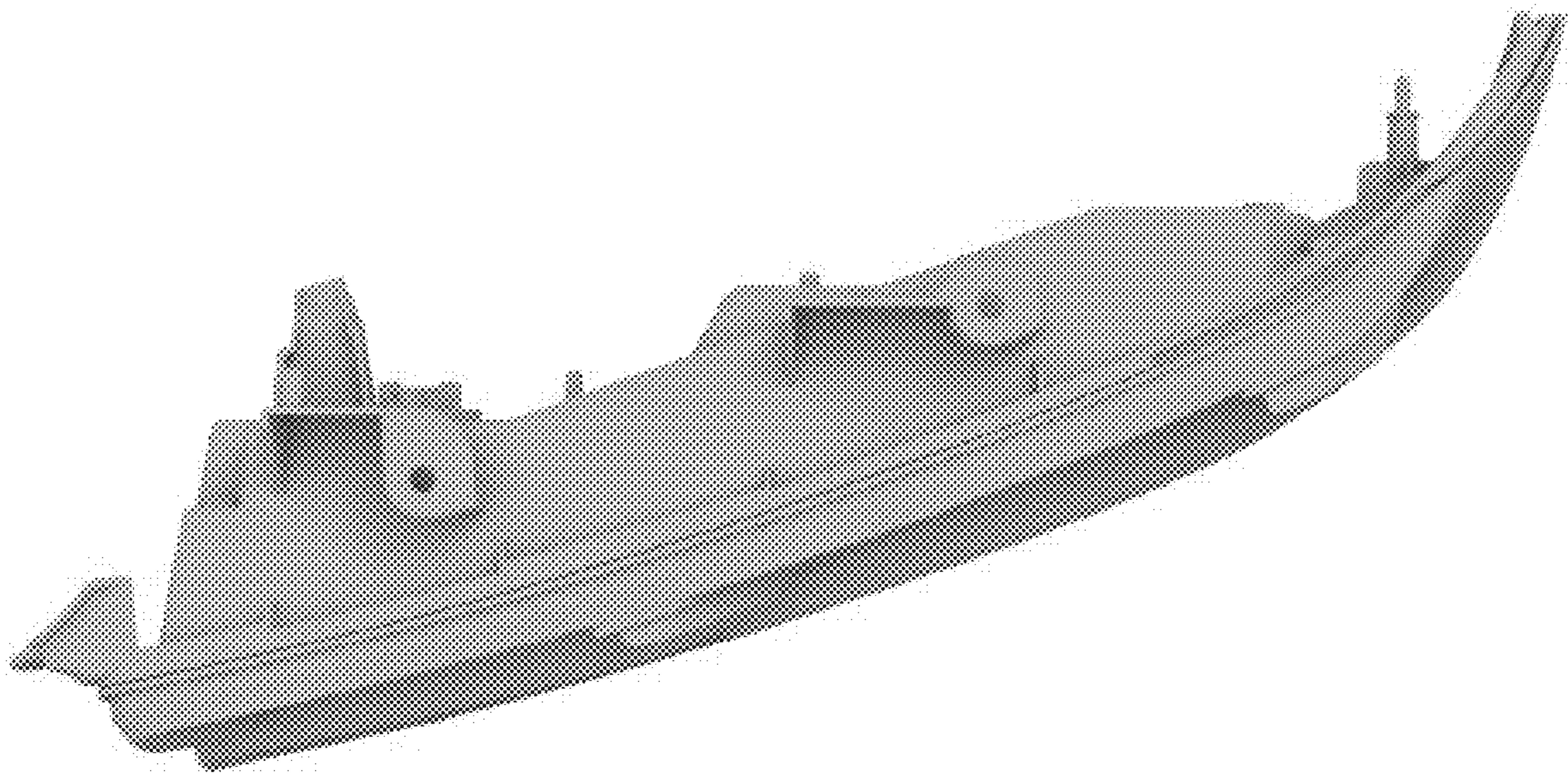


FIG.7



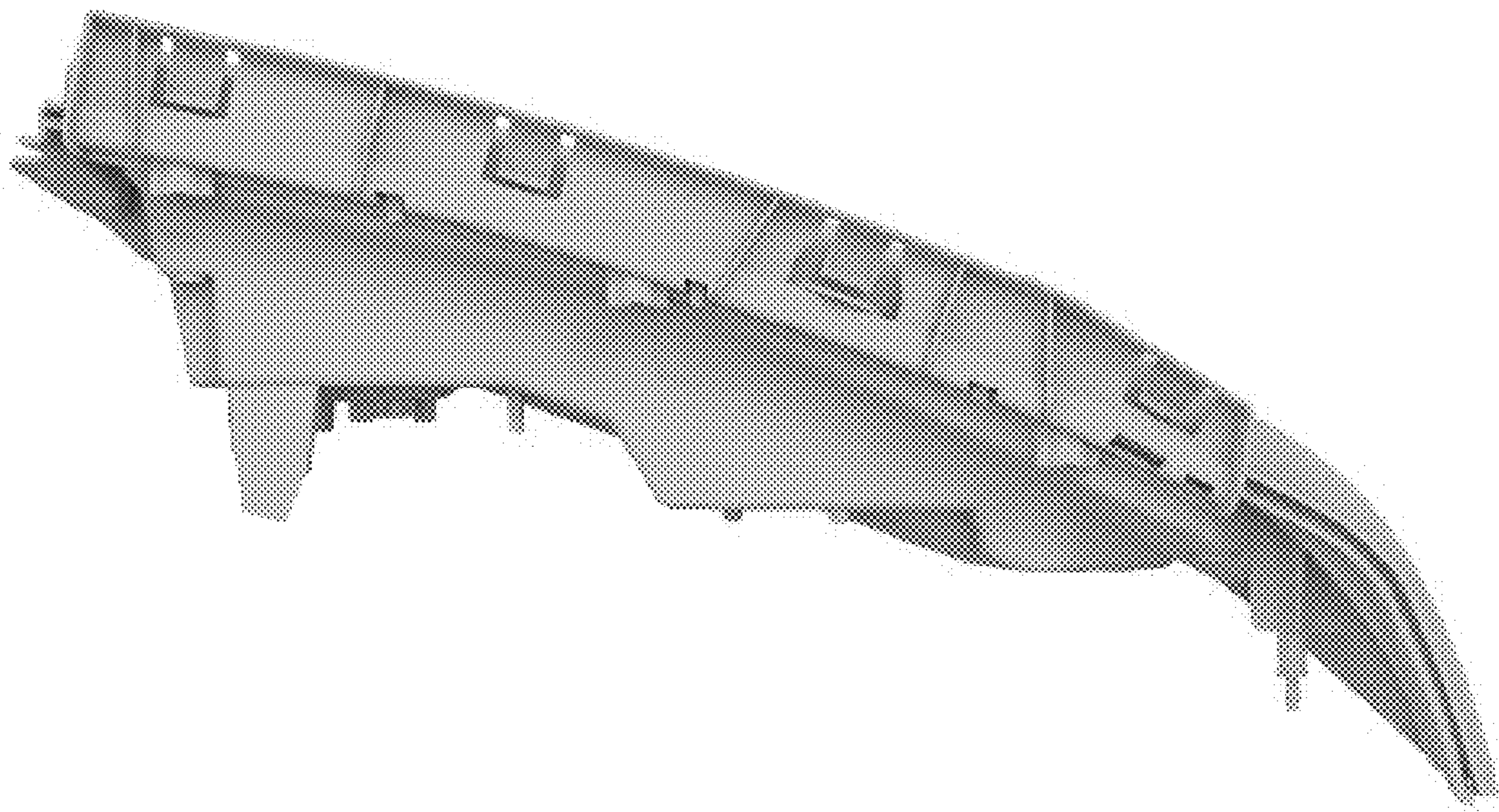


FIG.8