



US00D909637S

(12) **United States Design Patent** (10) **Patent No.:** **US D909,637 S**
Wu (45) **Date of Patent:** **** Feb. 2, 2021**

(54) **LUMINOUS UNIT FOR A VEHICLE LIGHT**

(56) **References Cited**

(71) Applicant: **COPLUS INC.**, Tainan (TW)

U.S. PATENT DOCUMENTS

(72) Inventor: **Po-Hua Wu**, Tainan (TW)

D546,487 S *	7/2007	Sinkwitz	D26/28
D625,443 S *	10/2010	Herbin	D26/28
D626,670 S *	11/2010	Metzger	D26/28
D724,244 S *	3/2015	Hayez	D26/28
D769,481 S *	10/2016	Lai	D26/28
D775,381 S *	12/2016	Jacq	D26/28
D805,229 S *	12/2017	Morgenstern	D26/28

(73) Assignee: **Coplus Inc.**, Tainan (TW)

(**) Term: **15 Years**

* cited by examiner

(21) Appl. No.: **29/716,007**

(22) Filed: **Dec. 5, 2019**

Primary Examiner — Marcus A Jackson

(30) **Foreign Application Priority Data**

(74) *Attorney, Agent, or Firm* — Lewis Roca Rothgerber Christie LLP

Oct. 7, 2019 (TW) 108306221

(51) **LOC (13) Cl.** **26-06**

(57) **CLAIM**

(52) **U.S. Cl.**
USPC **D26/28**

The ornamental design for a luminous unit for a vehicle light, as shown and described.

(58) **Field of Classification Search**

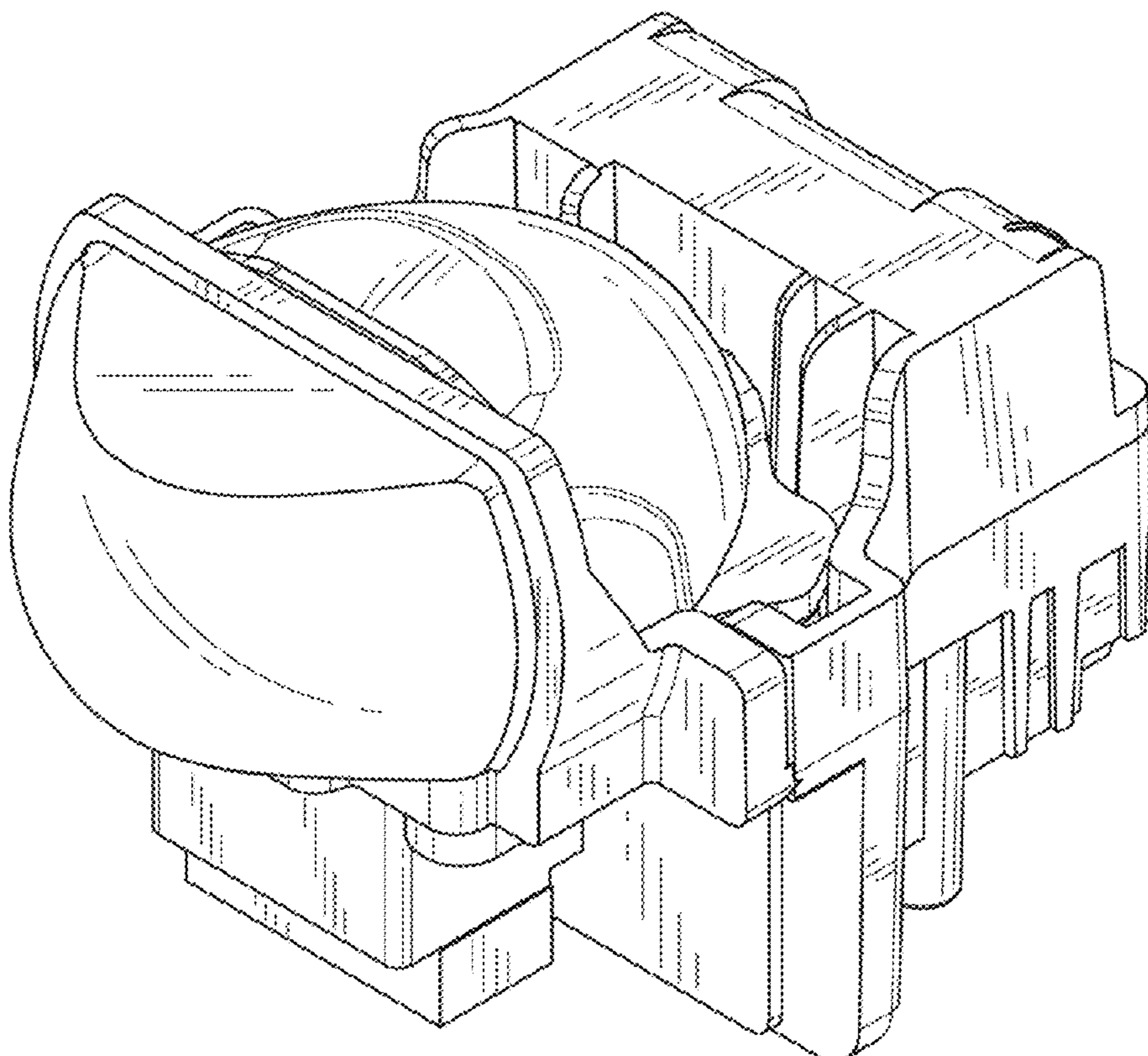
DESCRIPTION

USPC D26/28-36, 139
CPC F21S 48/00; F21S 48/10; F21S 48/115;
F21S 48/225; F21S 48/1233; F21S
48/1266; F21S 48/1388; F21S 48/2268;
F21V 21/04; F21V 29/004; F21W
2103/35; F21W 3/40; F21W 2102/17;
F21W 2102/30; F21W 2103/00; F21W
2103/55; F21W 2104/00; F21W 2107/13;
F21W 2107/17

FIG. 1 is a perspective view of a luminous unit for a vehicle light;
FIG. 2 is a front view thereof;
FIG. 3 is a rear view thereof;
FIG. 4 is a left side view thereof;
FIG. 5 is a right side view thereof;
FIG. 6 is a top view thereof; and,
FIG. 7 is a bottom view thereof.

See application file for complete search history.

1 Claim, 7 Drawing Sheets



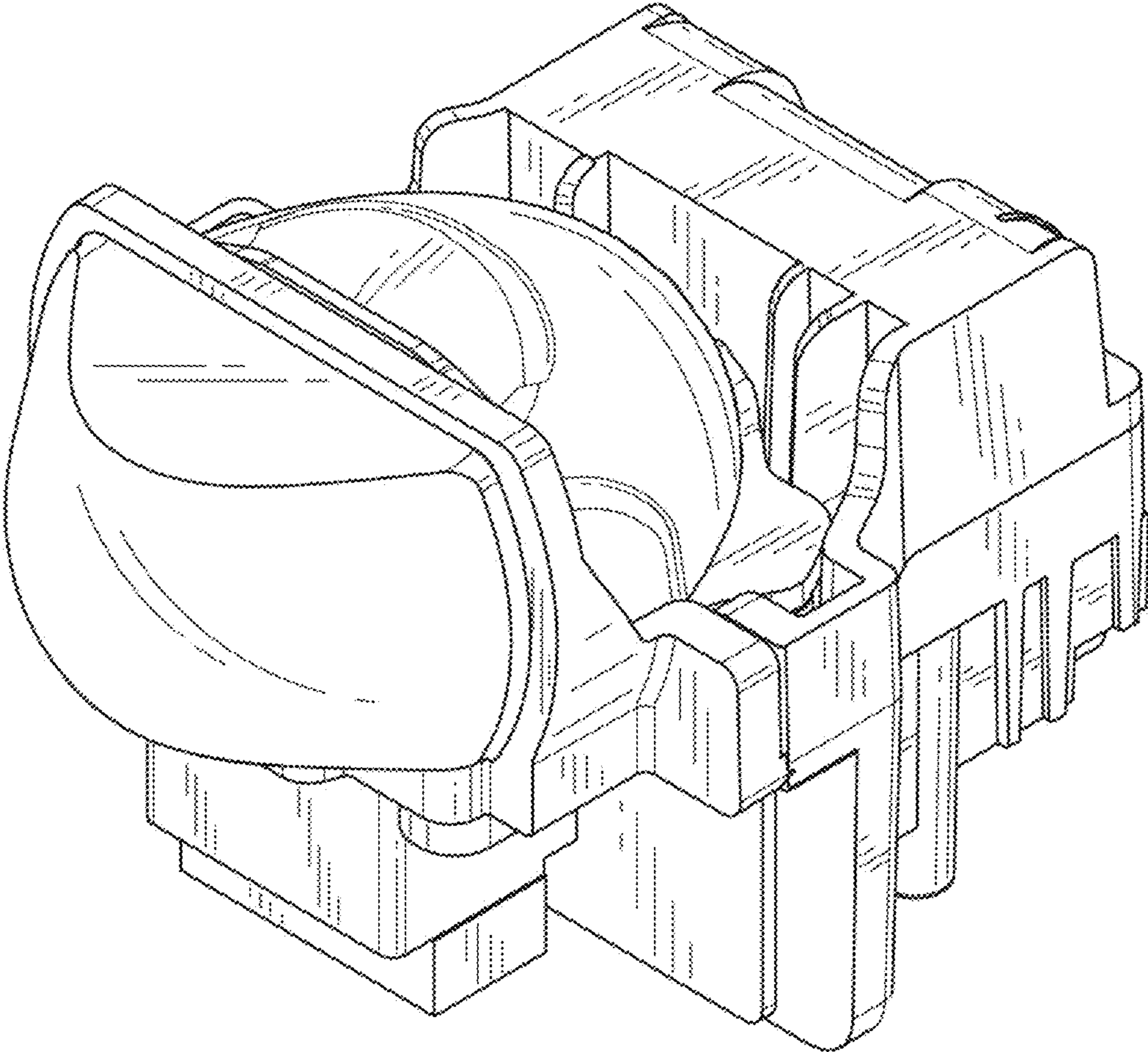


FIG. 1

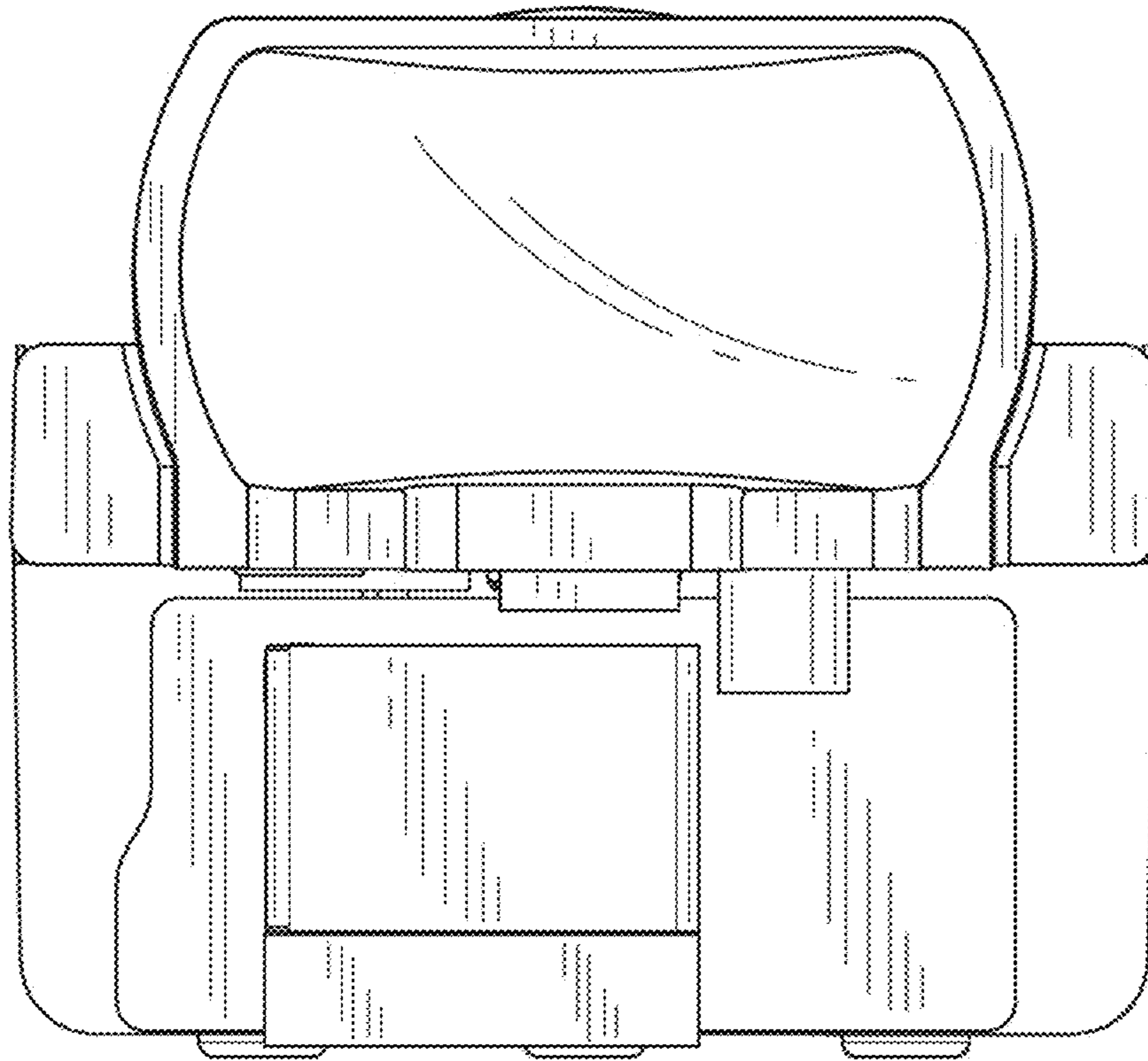


FIG. 2

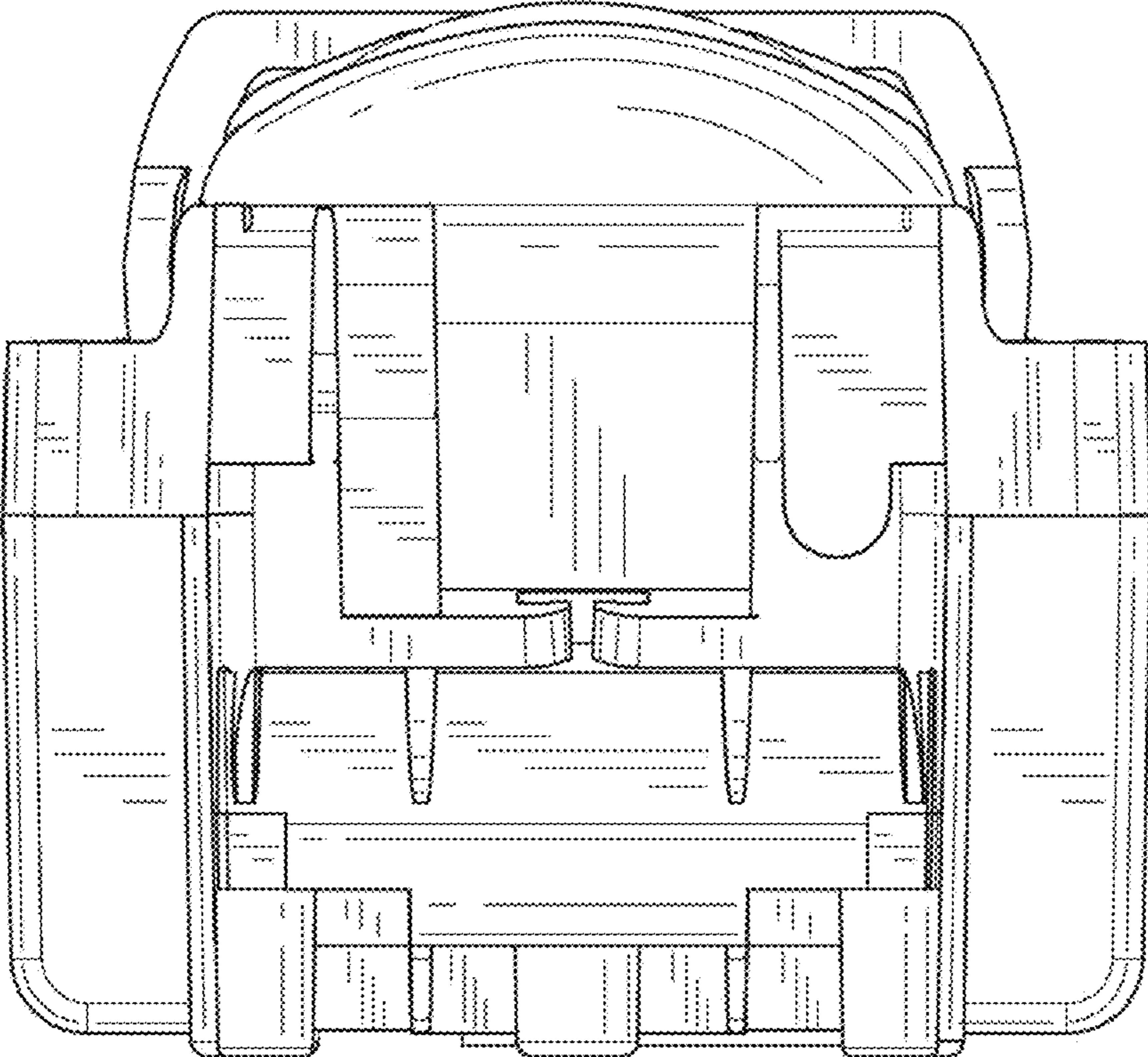


FIG. 3

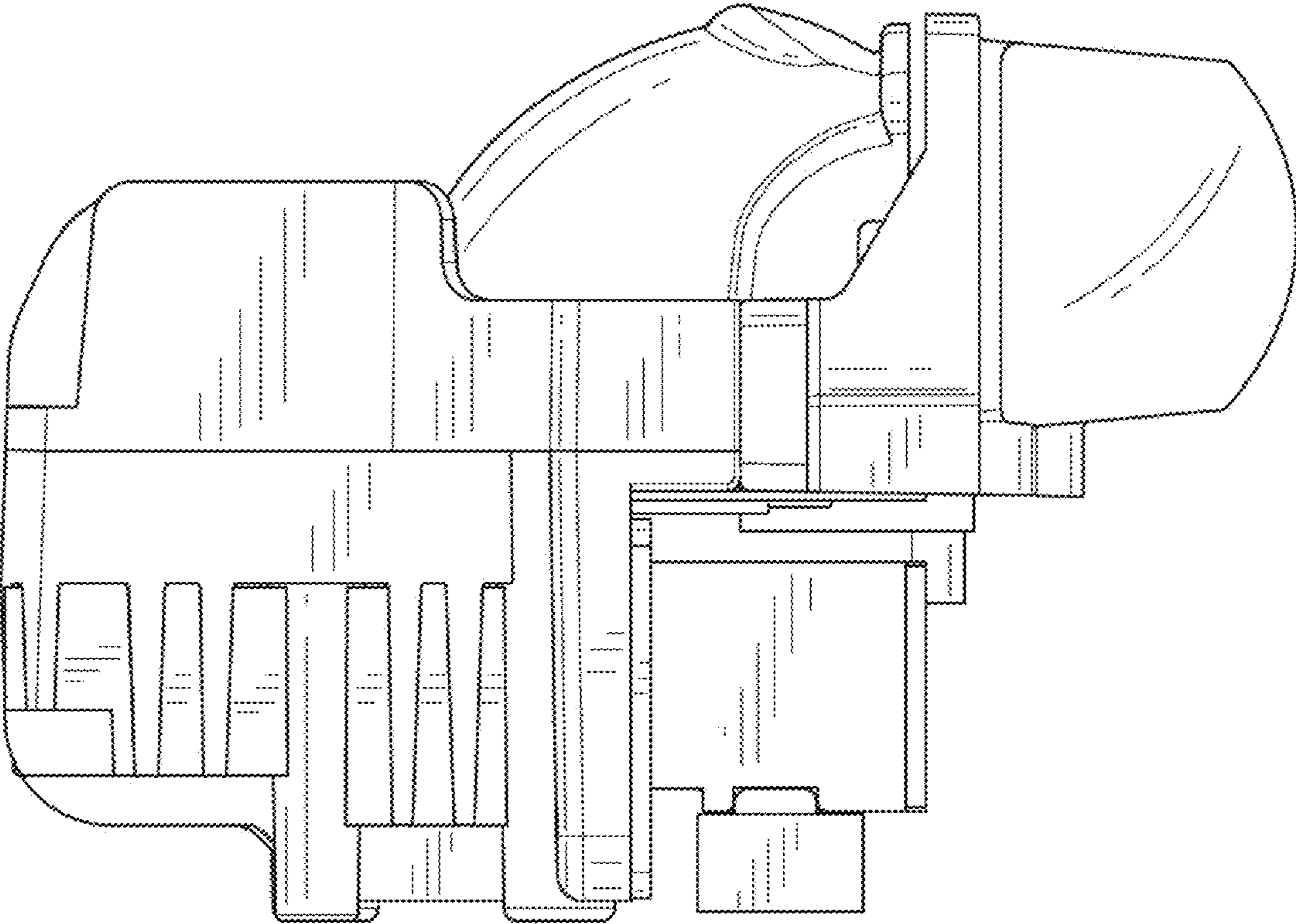


FIG. 4

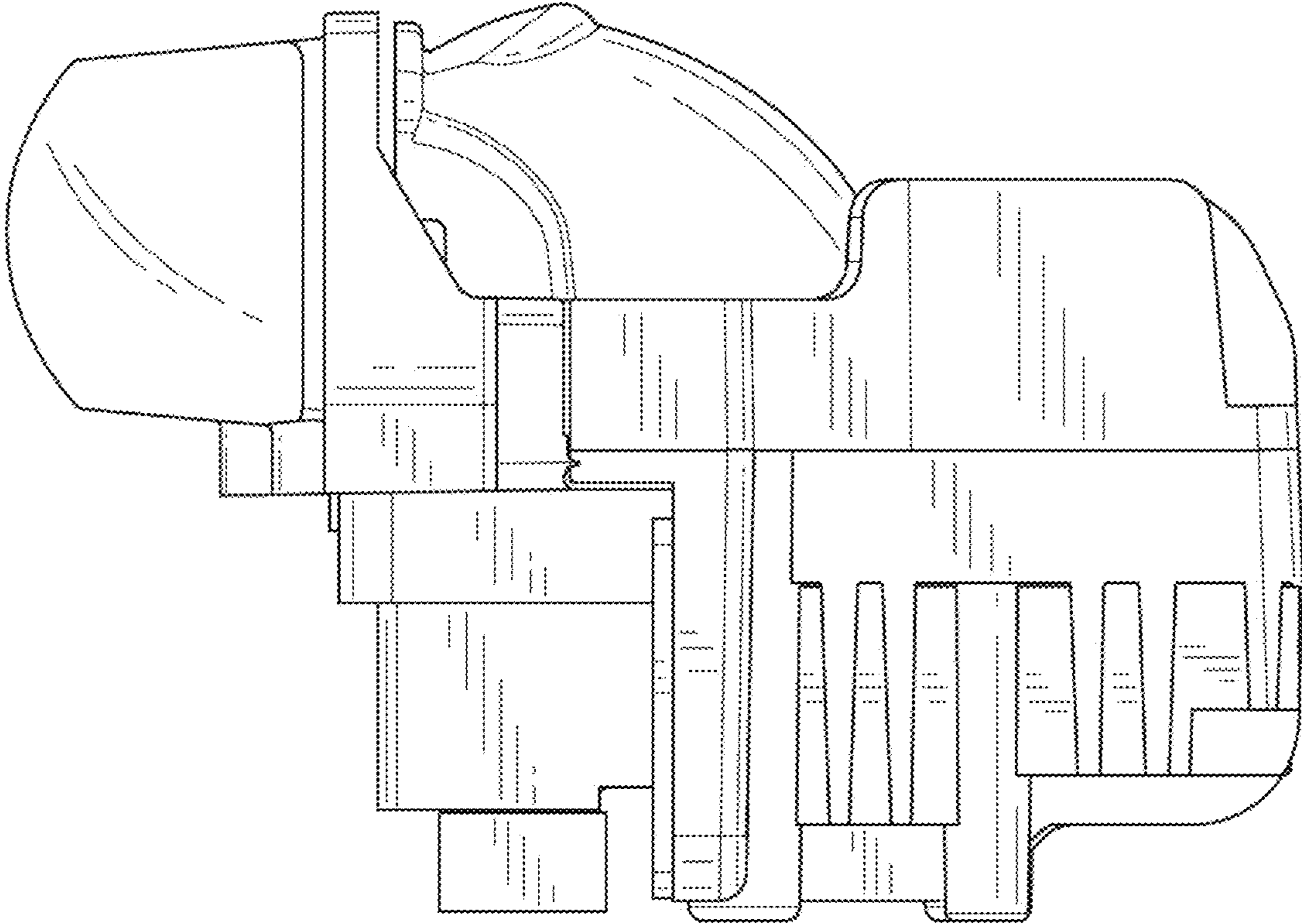


FIG. 5

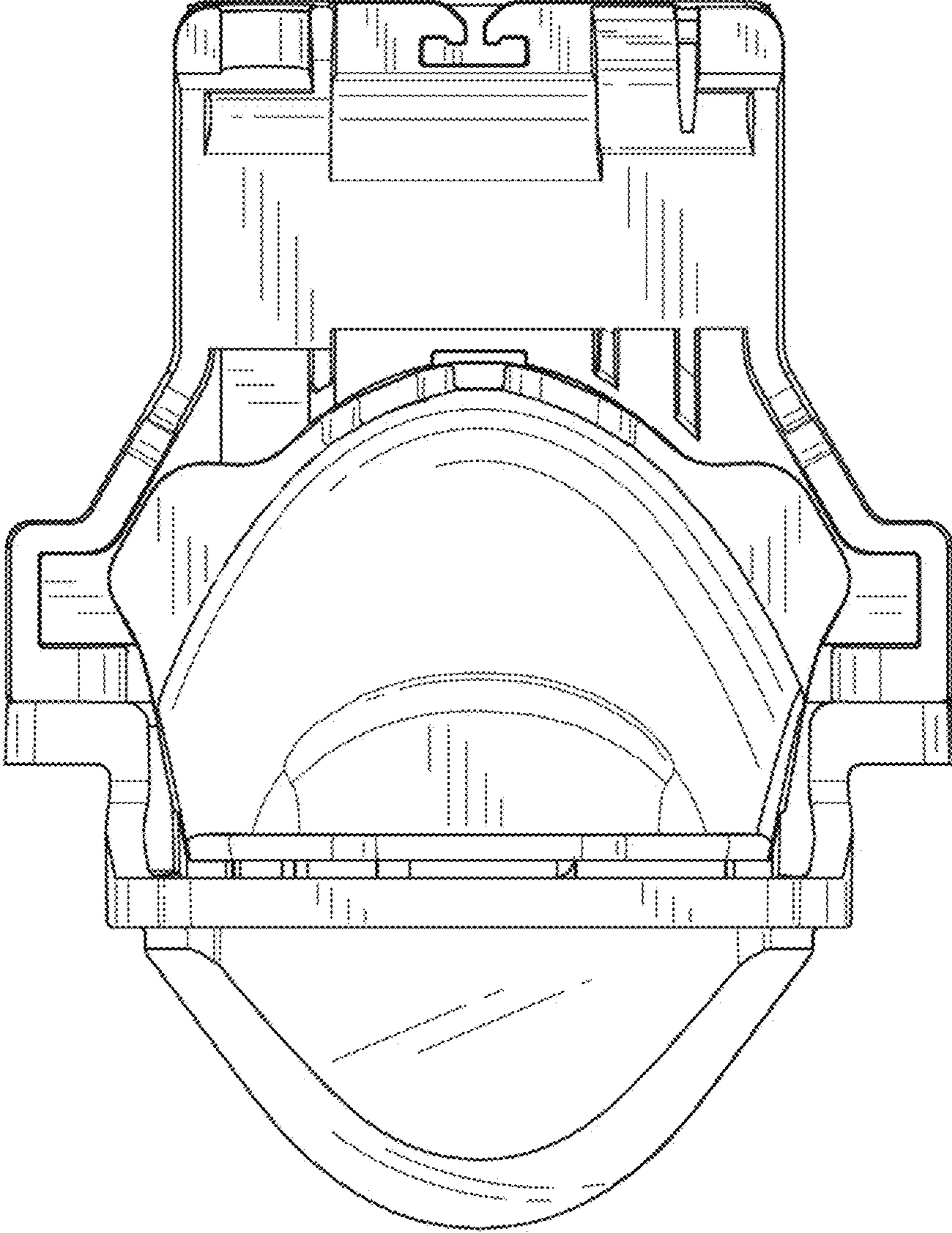


FIG. 6

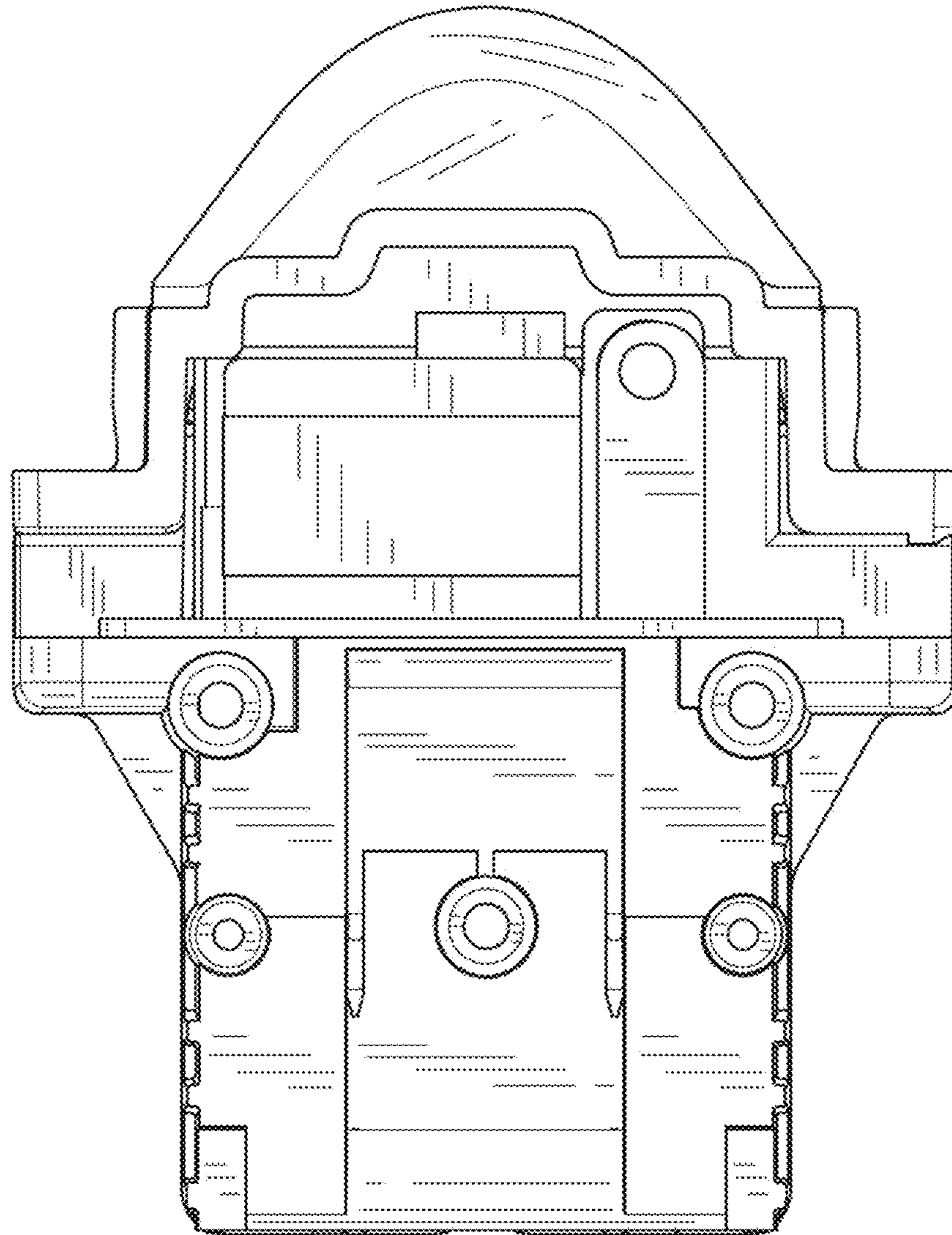


FIG. 7