



US00D909635S

(12) **United States Design Patent** (10) **Patent No.:** **US D909,635 S**  
**Huang** (45) **Date of Patent:** **\*\* Feb. 2, 2021**

(54) **VEHICLE LAMP**

(56) **References Cited**

(71) Applicant: **SIRIUS LIGHT TECHNOLOGY CO., LTD.**, Tainan (TW)

U.S. PATENT DOCUMENTS

(72) Inventor: **Ricky Huang**, Tainan (TW)

D476,761 S *	7/2003	Lin	.....	D26/28
D493,550 S *	7/2004	Lin	.....	D26/28
D526,728 S *	8/2006	Lin	.....	D26/28
D563,001 S *	2/2008	Sato	.....	D26/28
D745,717 S *	12/2015	Wu	.....	D26/28
D866,019 S *	11/2019	Herzog	.....	D26/28
D870,937 S *	12/2019	Wu	.....	D26/28

(73) Assignee: **Sirius Light Technology Co., LTD.**, Tainan (TW)

(\*\*) Term: **15 Years**

\* cited by examiner

(21) Appl. No.: **29/712,310**

*Primary Examiner* — Marcus A Jackson

(22) Filed: **Nov. 7, 2019**

(57) **CLAIM**

(30) **Foreign Application Priority Data**

The ornamental design for a vehicle lamp, as shown and described.

Sep. 26, 2019 (TW) ..... 108305932

**DESCRIPTION**

(51) **LOC (13) Cl.** ..... **26-06**

FIG. 1 is a perspective view of a vehicle lamp showing my new design;

(52) **U.S. Cl.**

FIG. 2 is a front elevational view thereof;

USPC ..... **D26/28**

FIG. 3 is a rear elevational view thereof;

(58) **Field of Classification Search**

USPC ..... D26/28-36, 139

FIG. 4 is a left side elevational view thereof;

CPC ..... F21S 48/00; F21S 48/10; F21S 48/115;

FIG. 5 is a right side elevational view thereof;

F21S 48/225; F21S 48/1233; F21S

FIG. 6 is a top plan view thereof; and,

48/1266; F21S 48/1388; F21S 48/2268;

FIG. 7 is a bottom plan view thereof.

F21V 21/04; F21V 29/004; F21W

The broken lines depict portions of a vehicle lamp in which the design is embodied that form no part of the claimed design.

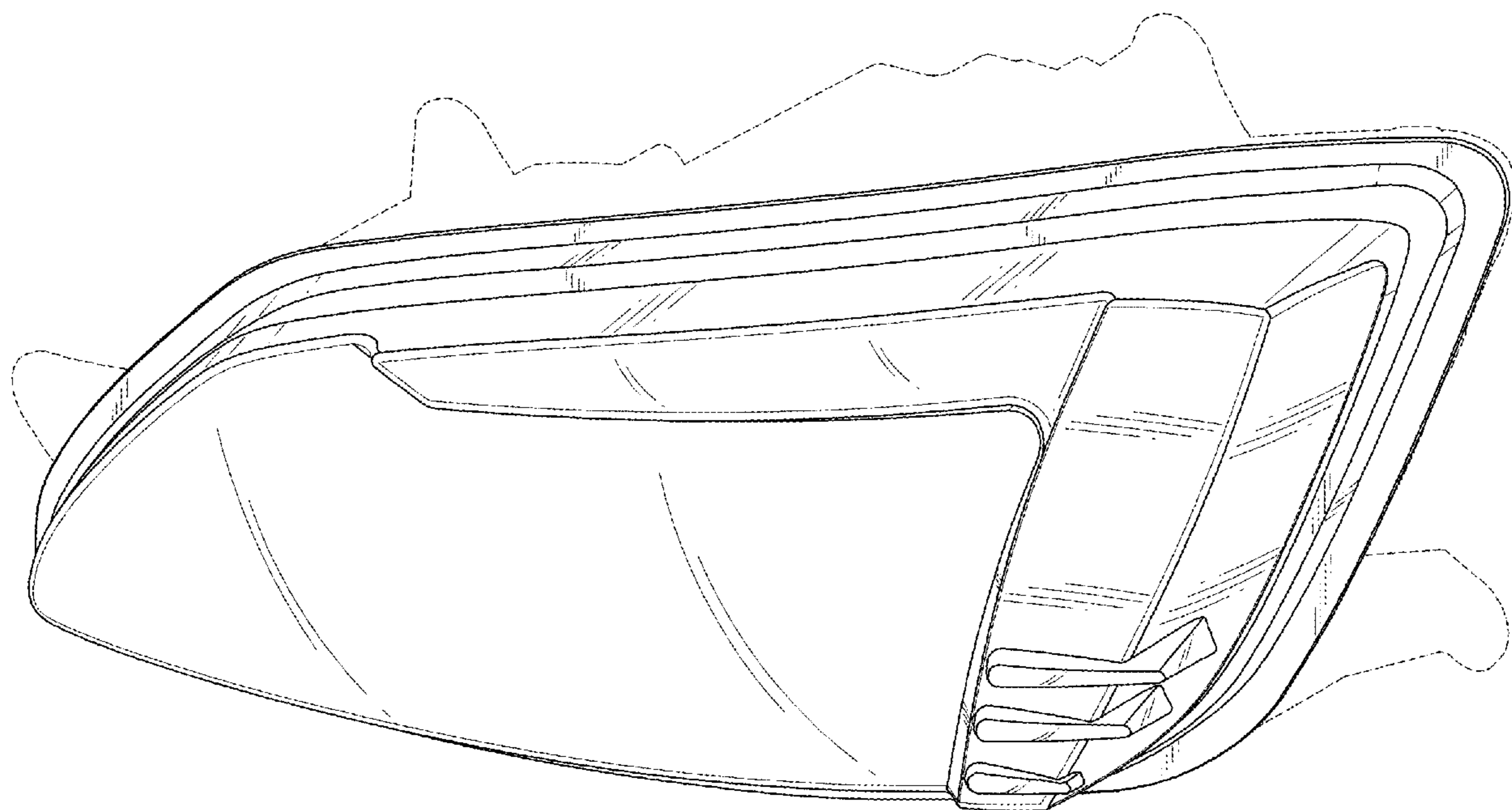
2103/35; F21W 3/40; F21W 2102/17;

F21W 2102/30; F21W 2103/00; F21W

2104/00; F21W 2107/13; F21W 2107/17

See application file for complete search history.

**1 Claim, 7 Drawing Sheets**



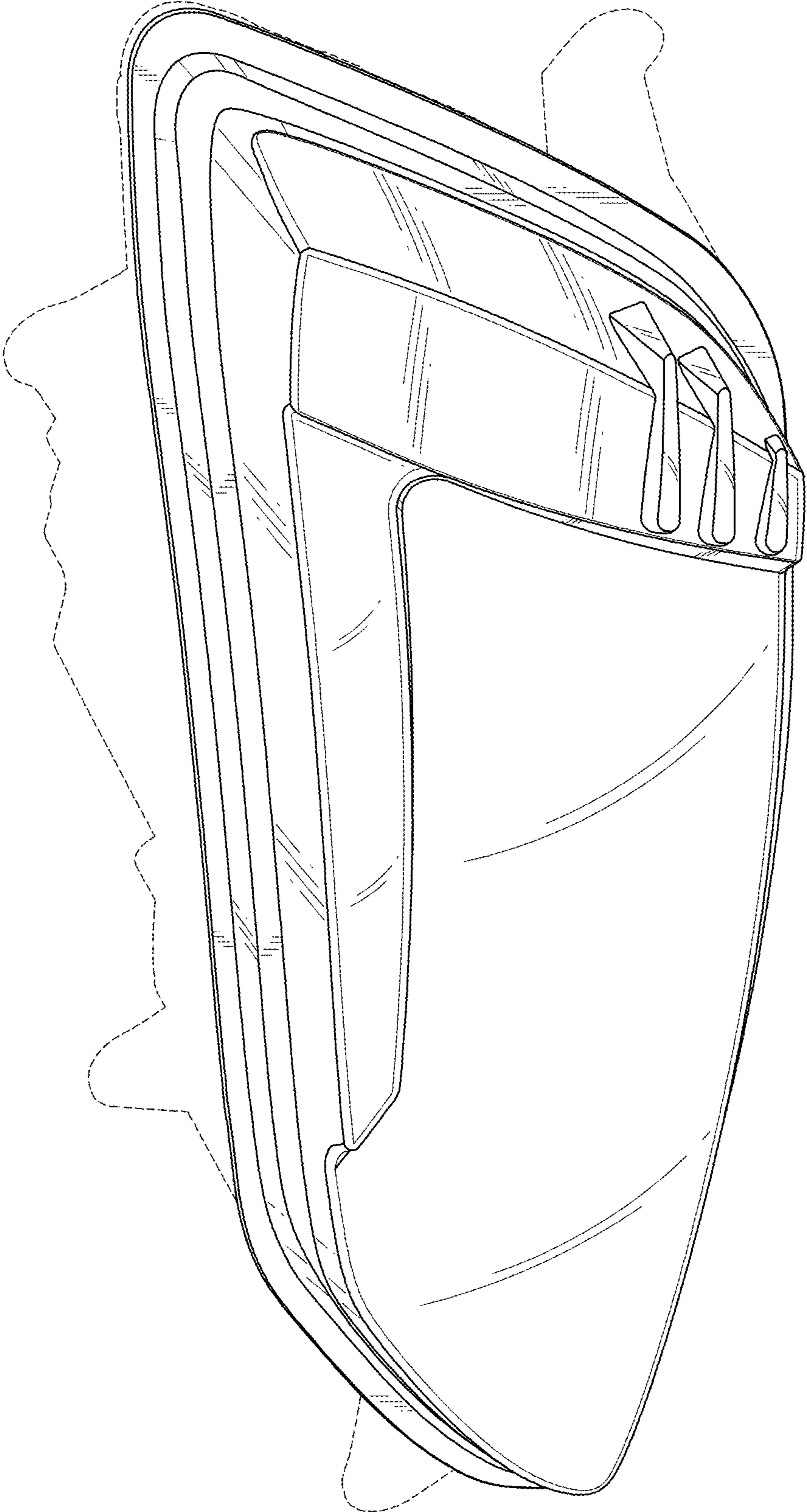


FIG.1

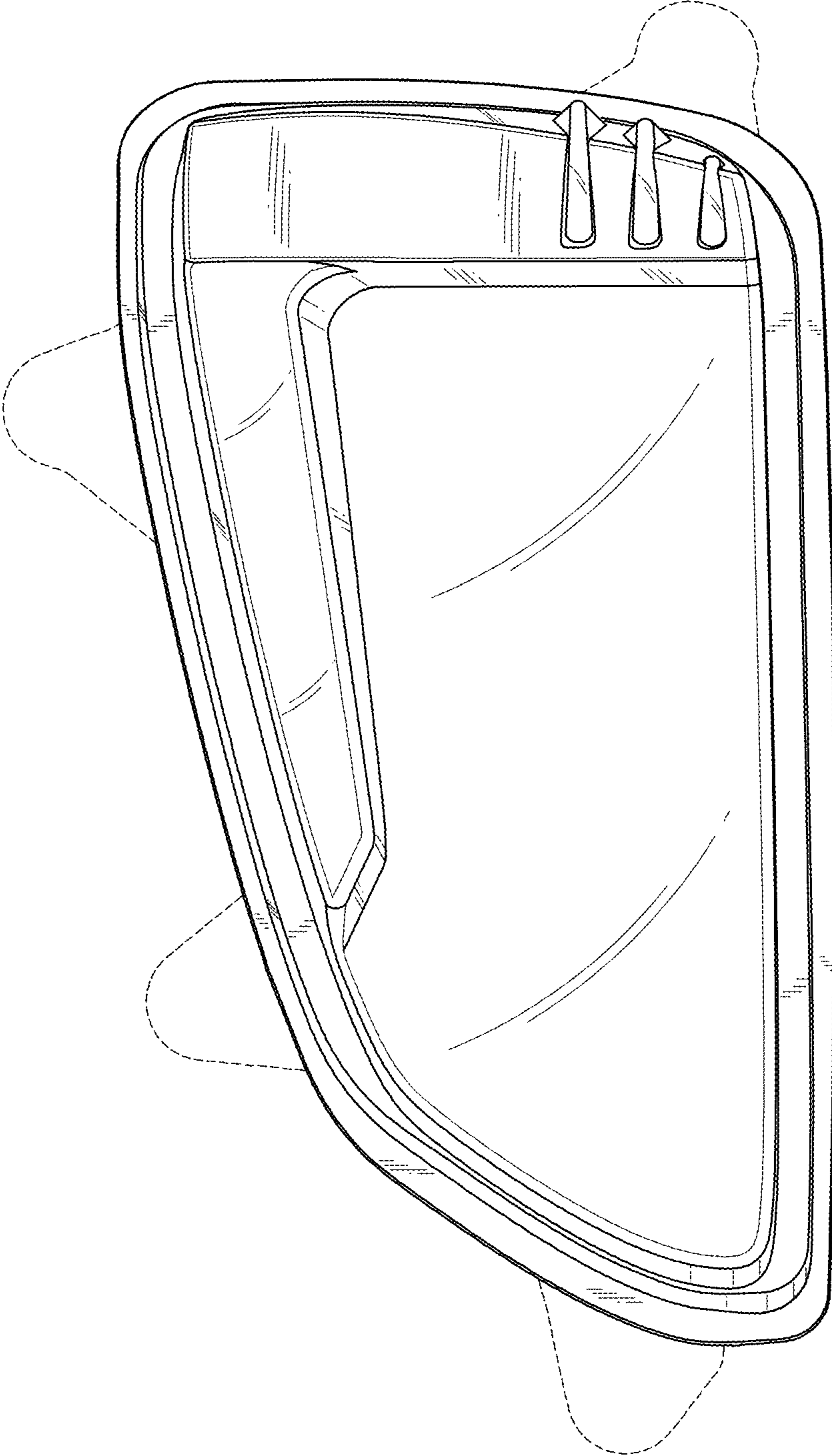


FIG.2

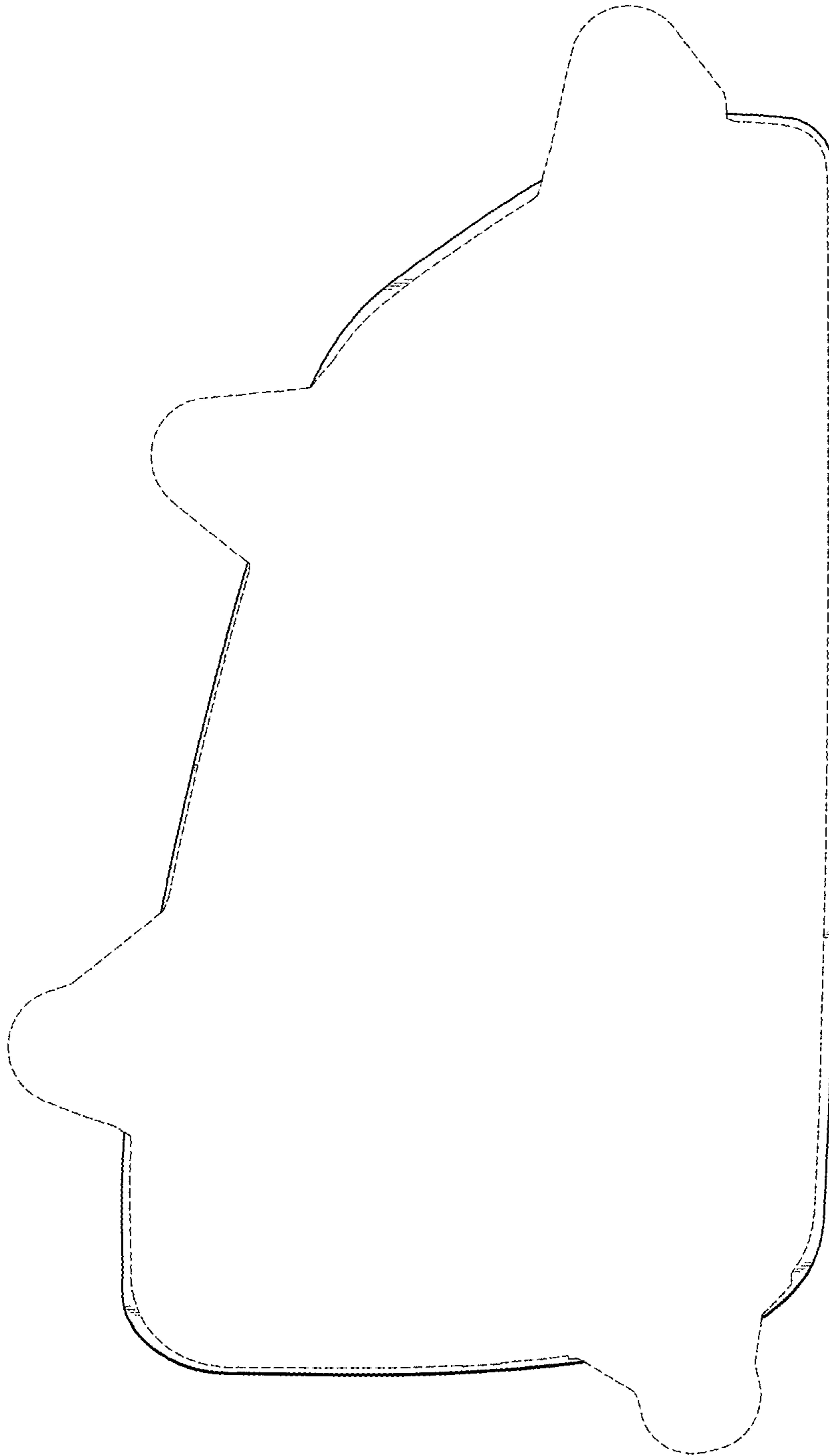


FIG. 3

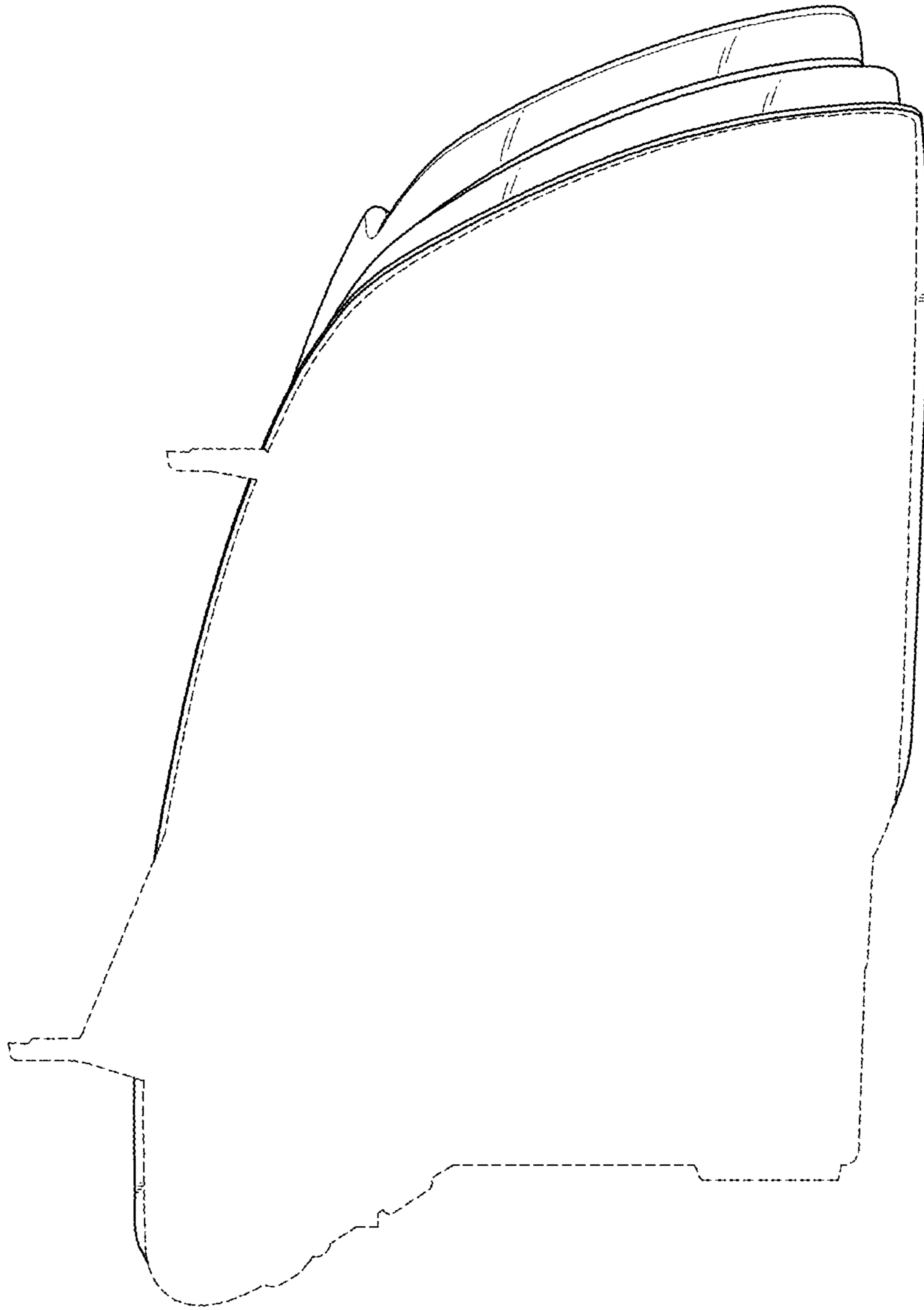


FIG.4

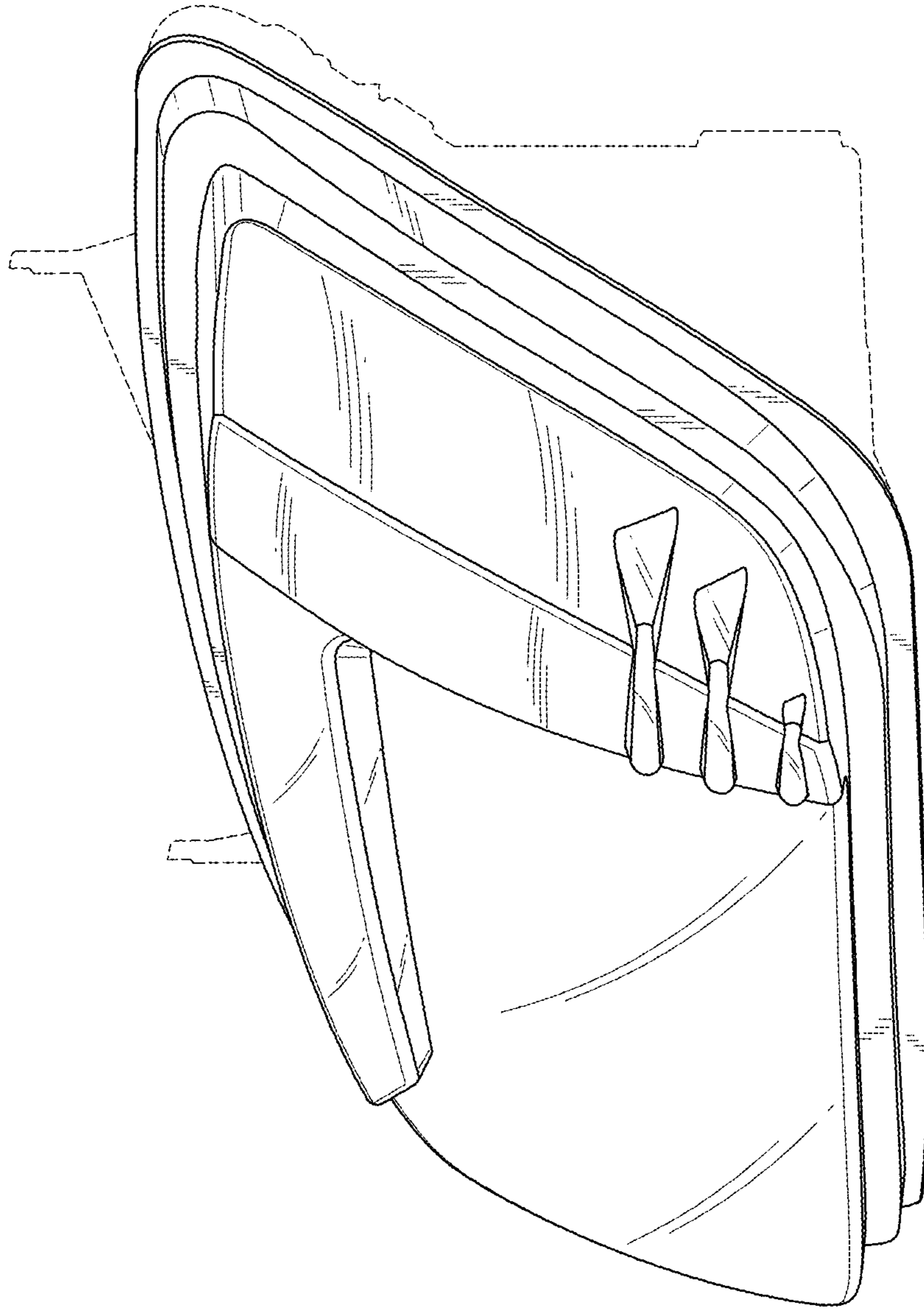


FIG. 5

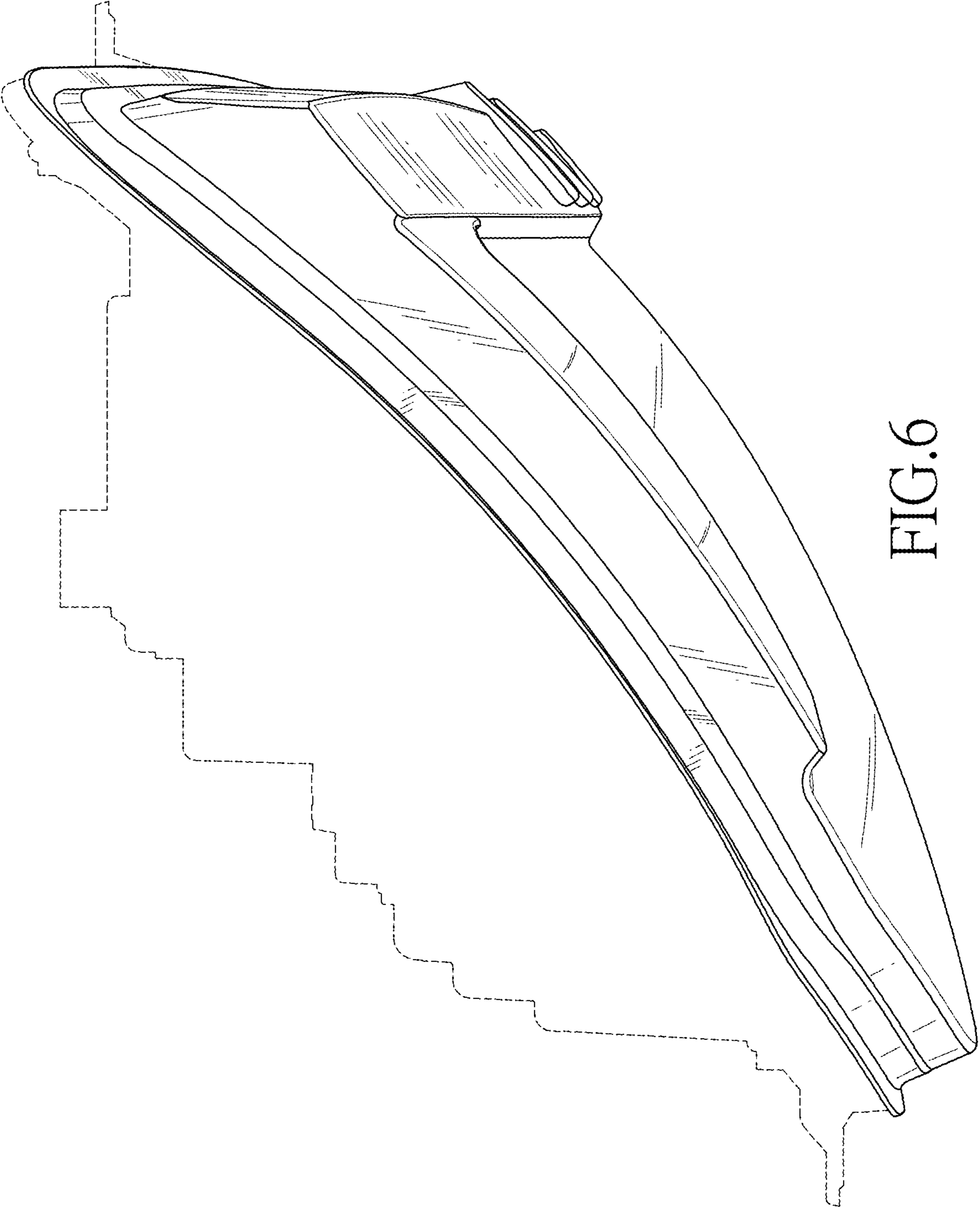


FIG. 6

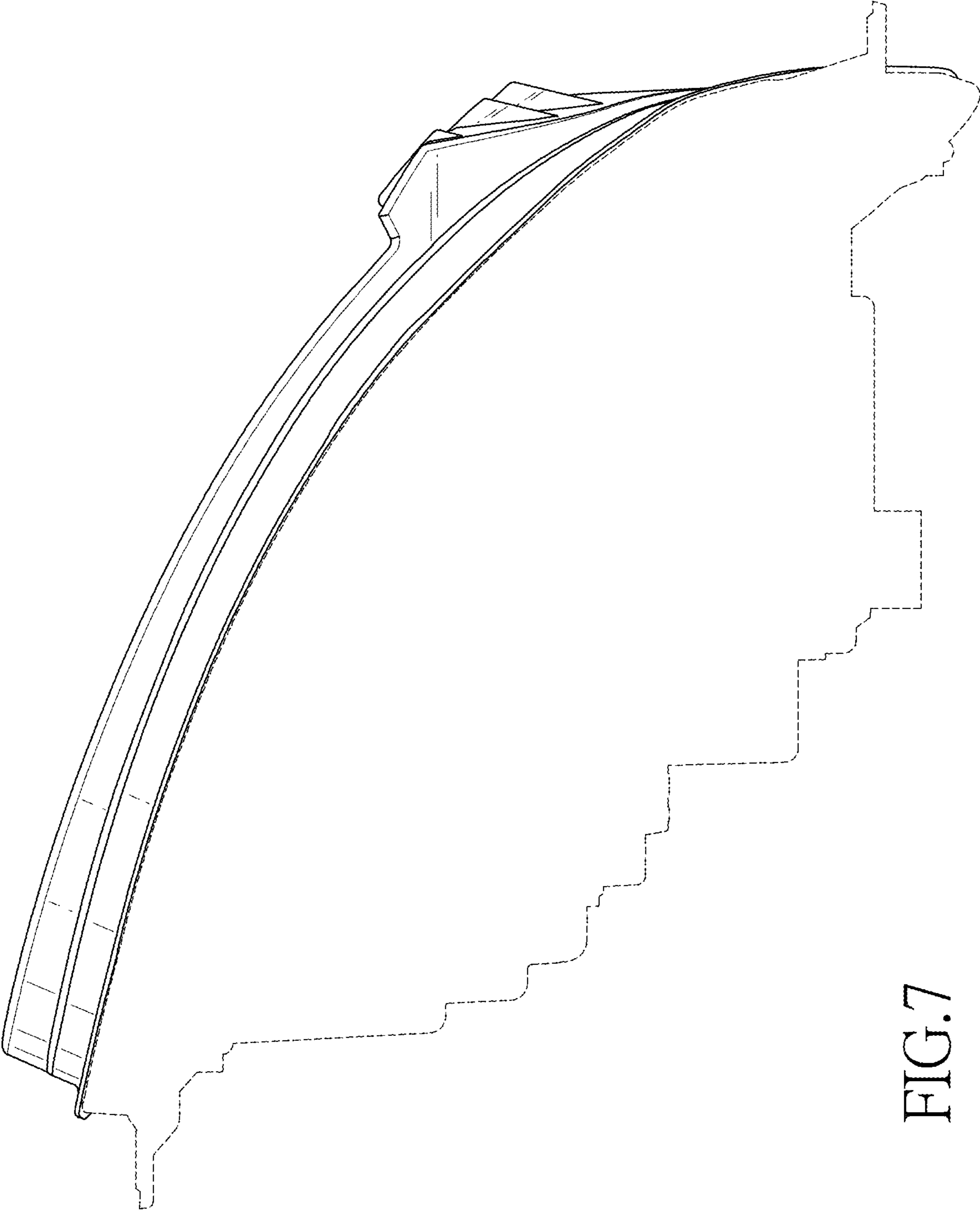


FIG.7