



US00D909629S

(12) **United States Design Patent** (10) **Patent No.:** **US D909,629 S**
Zhang et al. (45) **Date of Patent:** **** Feb. 2, 2021**

(54) **FLY LIGHT**

(71) Applicants: **Jian Zhang**, Jiangsu (CN); **Robert Bruce Cameron**, Buckeye, AZ (US)

(72) Inventors: **Jian Zhang**, Jiangsu (CN); **Robert Bruce Cameron**, Buckeye, AZ (US)

(**) Term: **15 Years**

(21) Appl. No.: **29/727,886**

(22) Filed: **Mar. 13, 2020**

Related U.S. Application Data

(63) Continuation-in-part of application No. 15/392,306, filed on Dec. 28, 2016.

Foreign Application Priority Data

Nov. 3, 2016 (CN) 2016 1 0952015

(51) **LOC (13) Cl.** **26-04**

(52) **U.S. Cl.**
USPC **D26/2**

(58) **Field of Classification Search**
USPC D26/1-10
CPC H01R 5/00; H01R 13/46; H01R 13/514;
H01R 31/048; H01R 31/02; H01J 5/00;
H01J 5/16; H01J 1/02; H01J 15/00; H01J
5/48; H01J 5/50; H01J 19/54; F21V 5/00;
F21K 9/00; F21K 13/00

See application file for complete search history.

(56) **References Cited**

U.S. PATENT DOCUMENTS

D508,575 S *	8/2005	Buschmann	D26/2
D528,227 S *	9/2006	Chou	D26/2
D531,741 S *	11/2006	Takahashi	D26/2
D534,665 S *	1/2007	Egawa	D26/2
D538,953 S *	3/2007	Mama	D26/2
D615,220 S *	5/2010	Crane	D26/2
D634,451 S *	3/2011	de Visser	D26/2

* cited by examiner

Primary Examiner — Marcus A Jackson

(74) *Attorney, Agent, or Firm* — Bycer Law, PLC;
Matthew L. Bycer

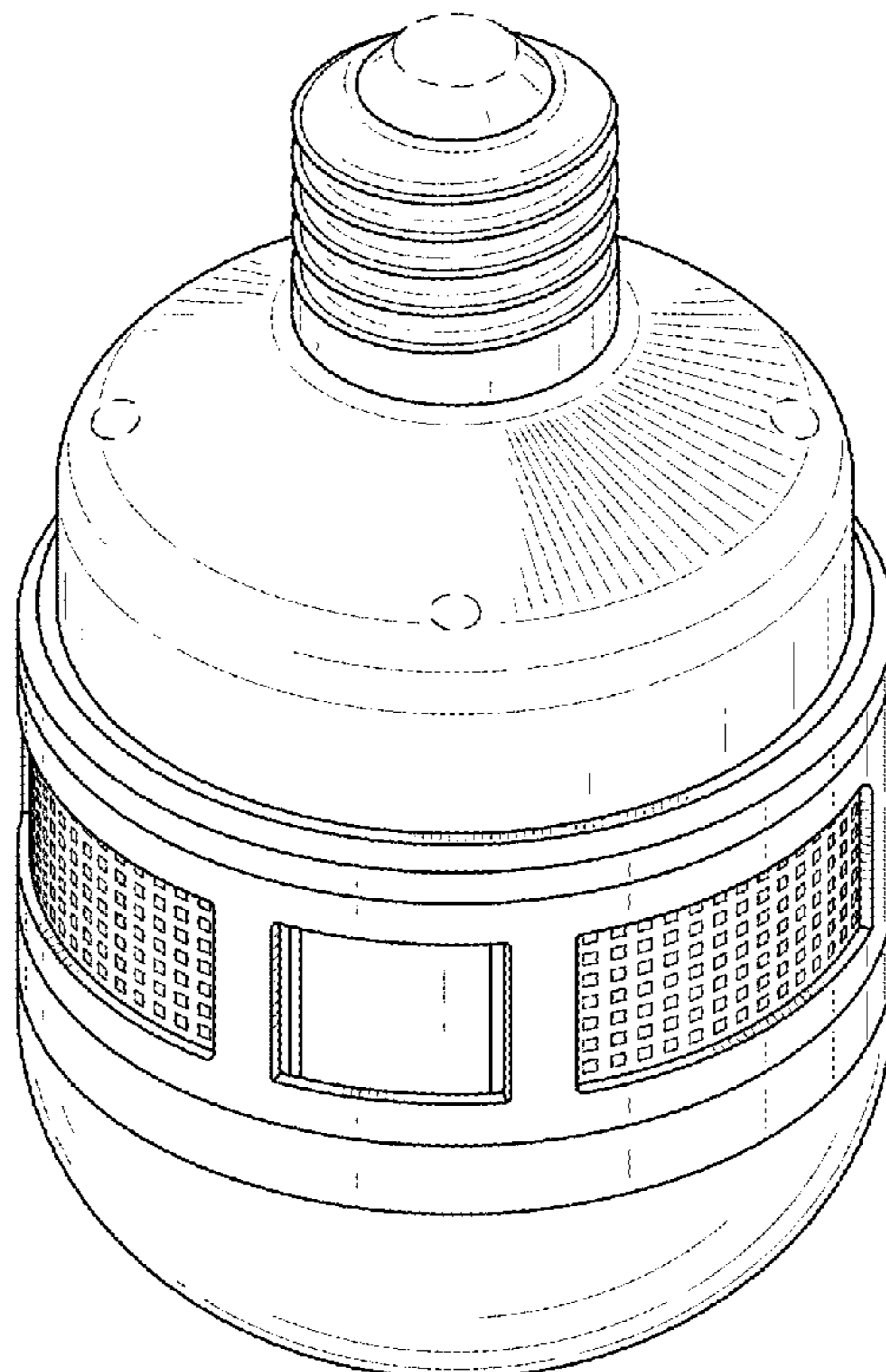
(57) **CLAIM**

We claim the ornamental design for fly light, as shown and described.

DESCRIPTION

FIG. 1 illustrates a top perspective view of a fly light showing our new design with unclaimed features in broken lines;
FIG. 2 illustrates a left-side view thereof;
FIG. 3 illustrates a right-side of the design;
FIG. 4 illustrates a front view of the design;
FIG. 5 illustrates a back view of the design;
FIG. 6 illustrates a top elevation view of the design; and,
FIG. 7 illustrates a bottom elevation view of the design.
The broken lines shown in the drawings represent portions of the balls back placement mat that form no part of the claimed design.

1 Claim, 7 Drawing Sheets



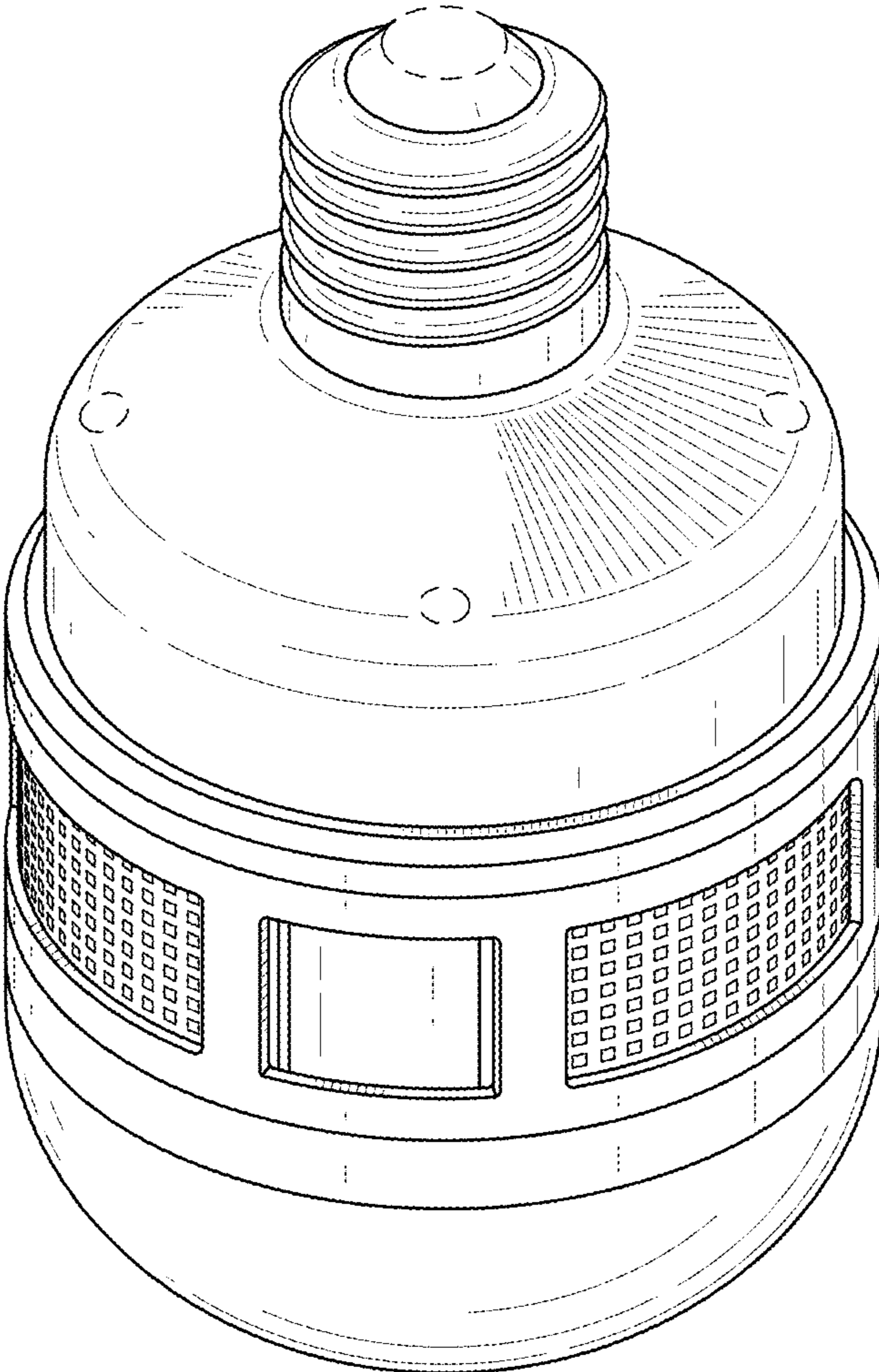


FIG.1

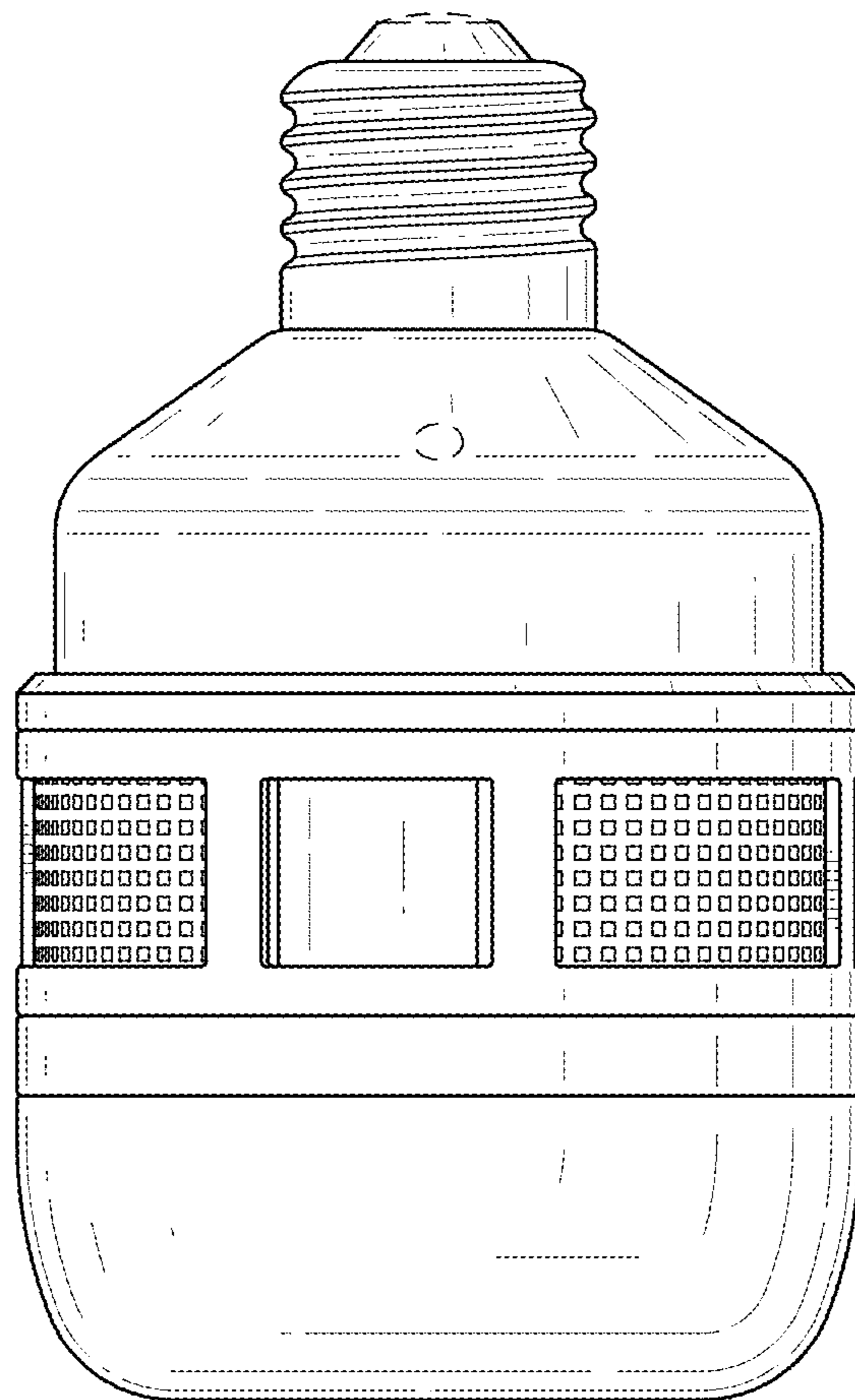


FIG.2

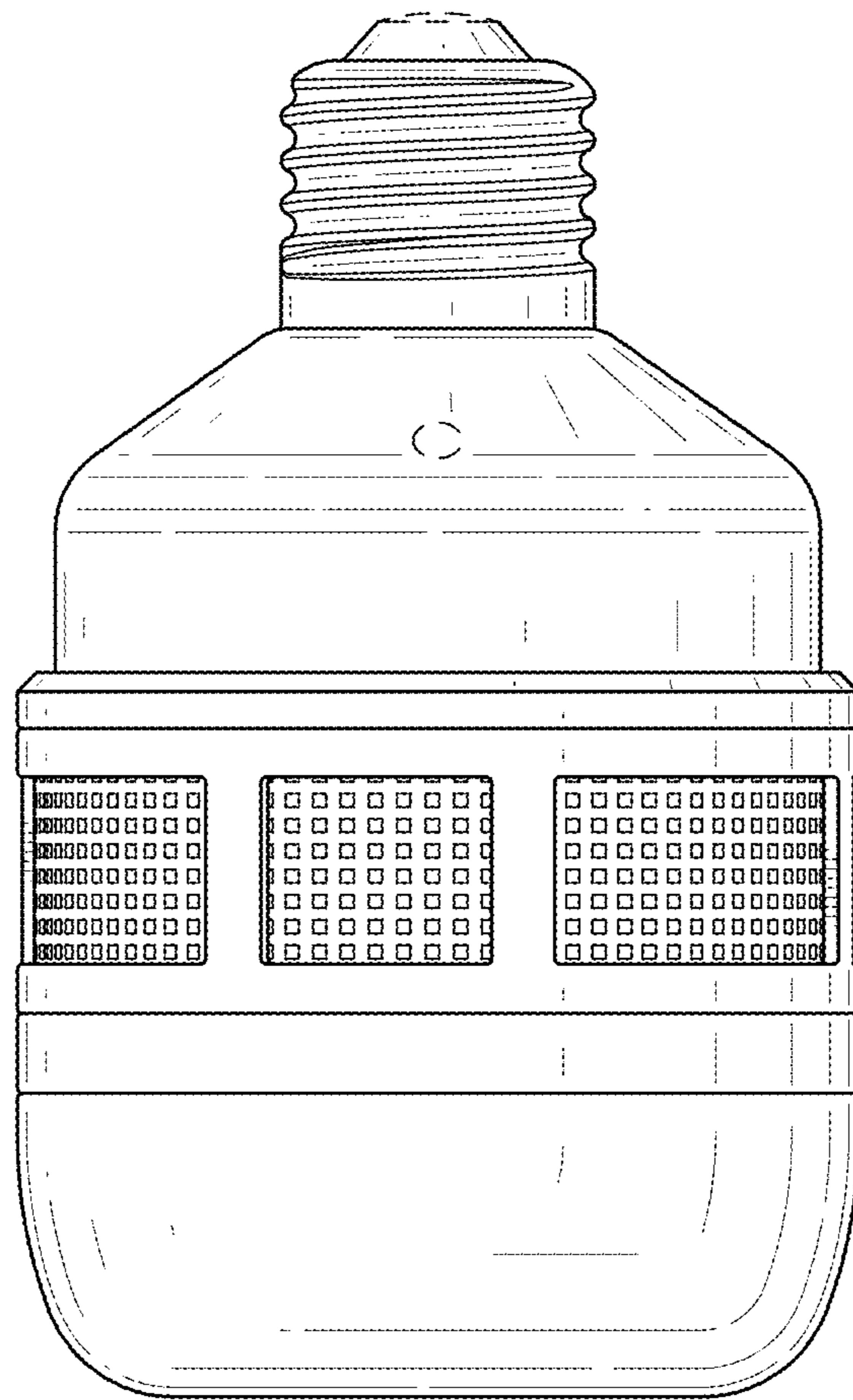


FIG.3

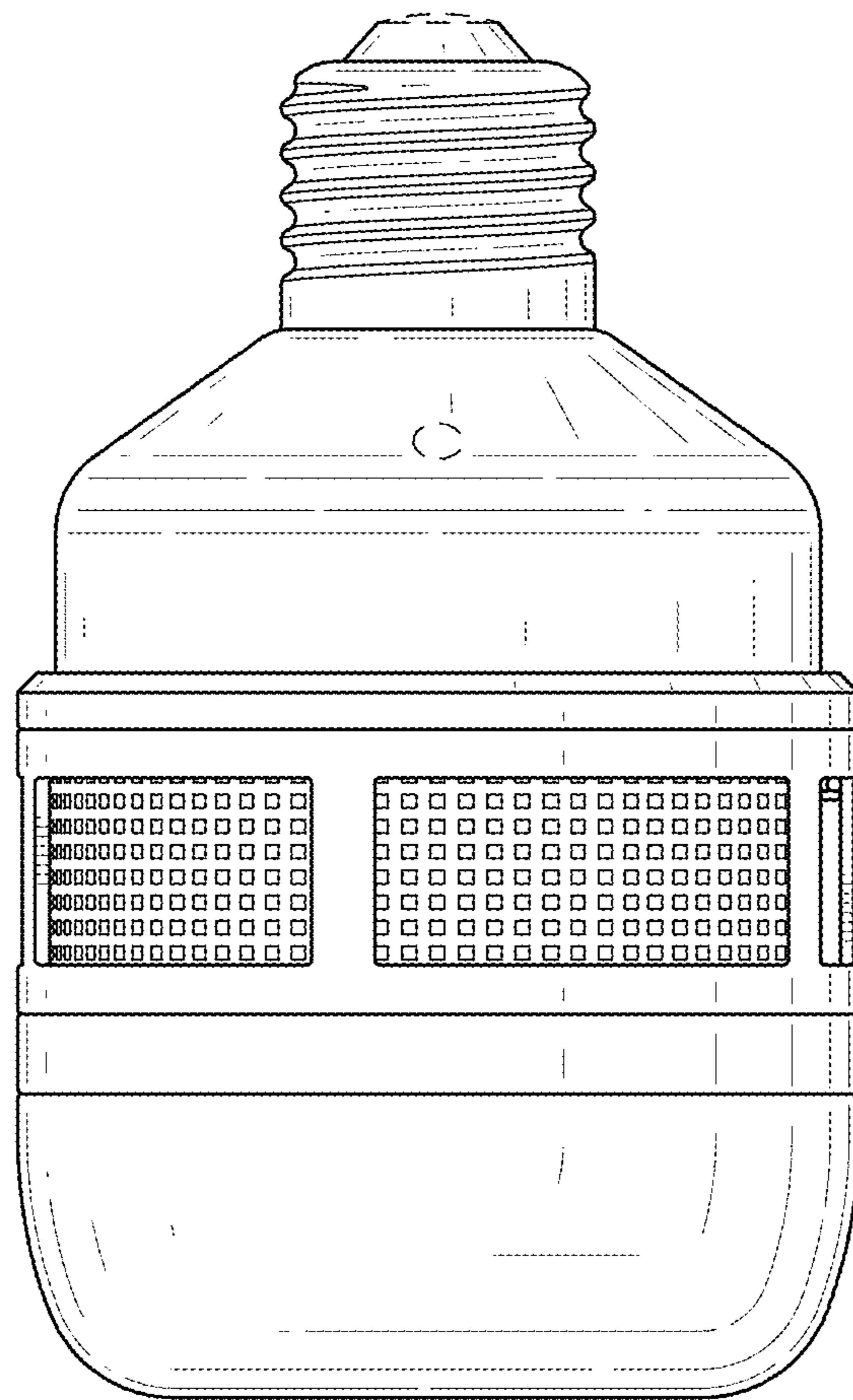


FIG.4

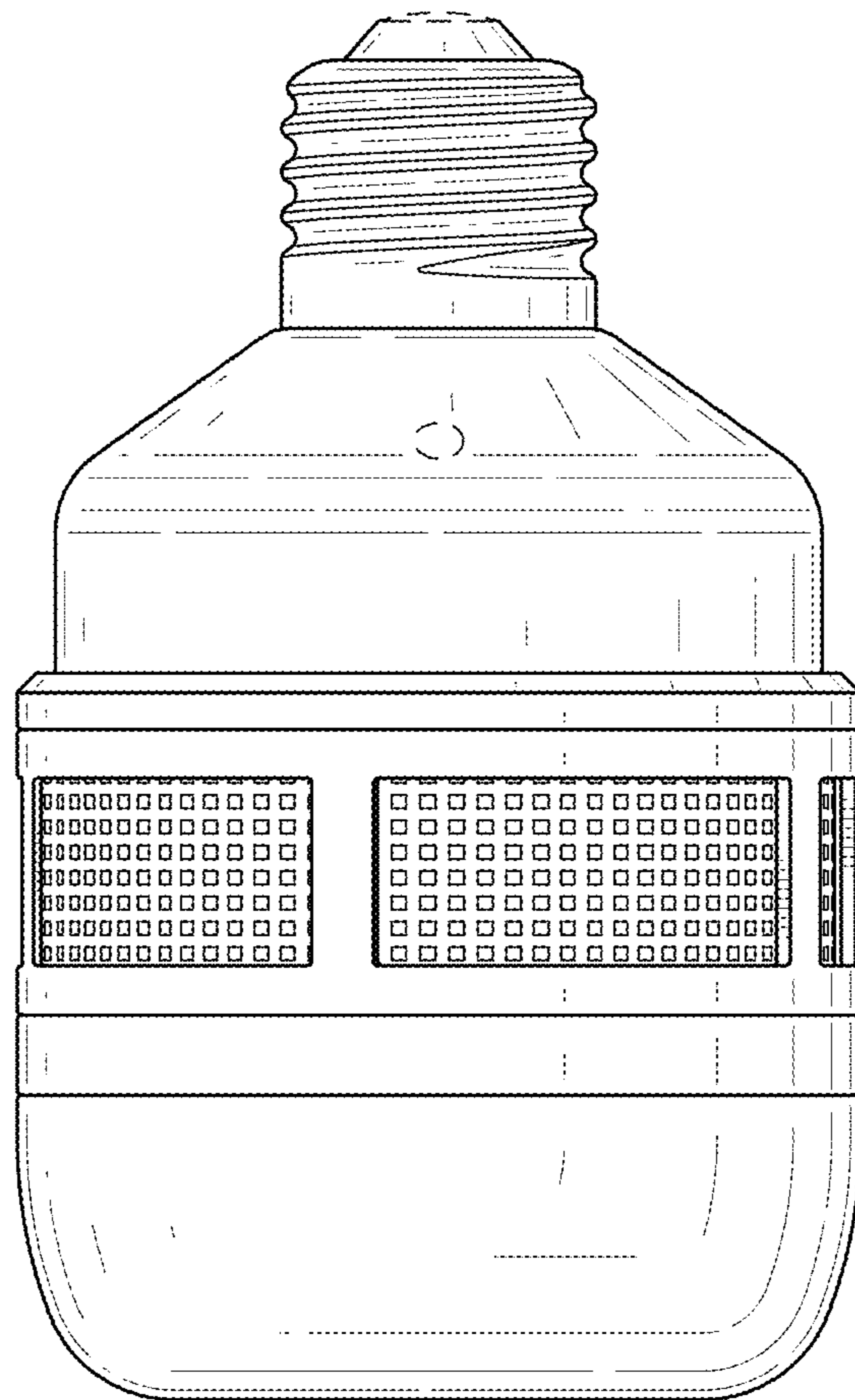


FIG.5

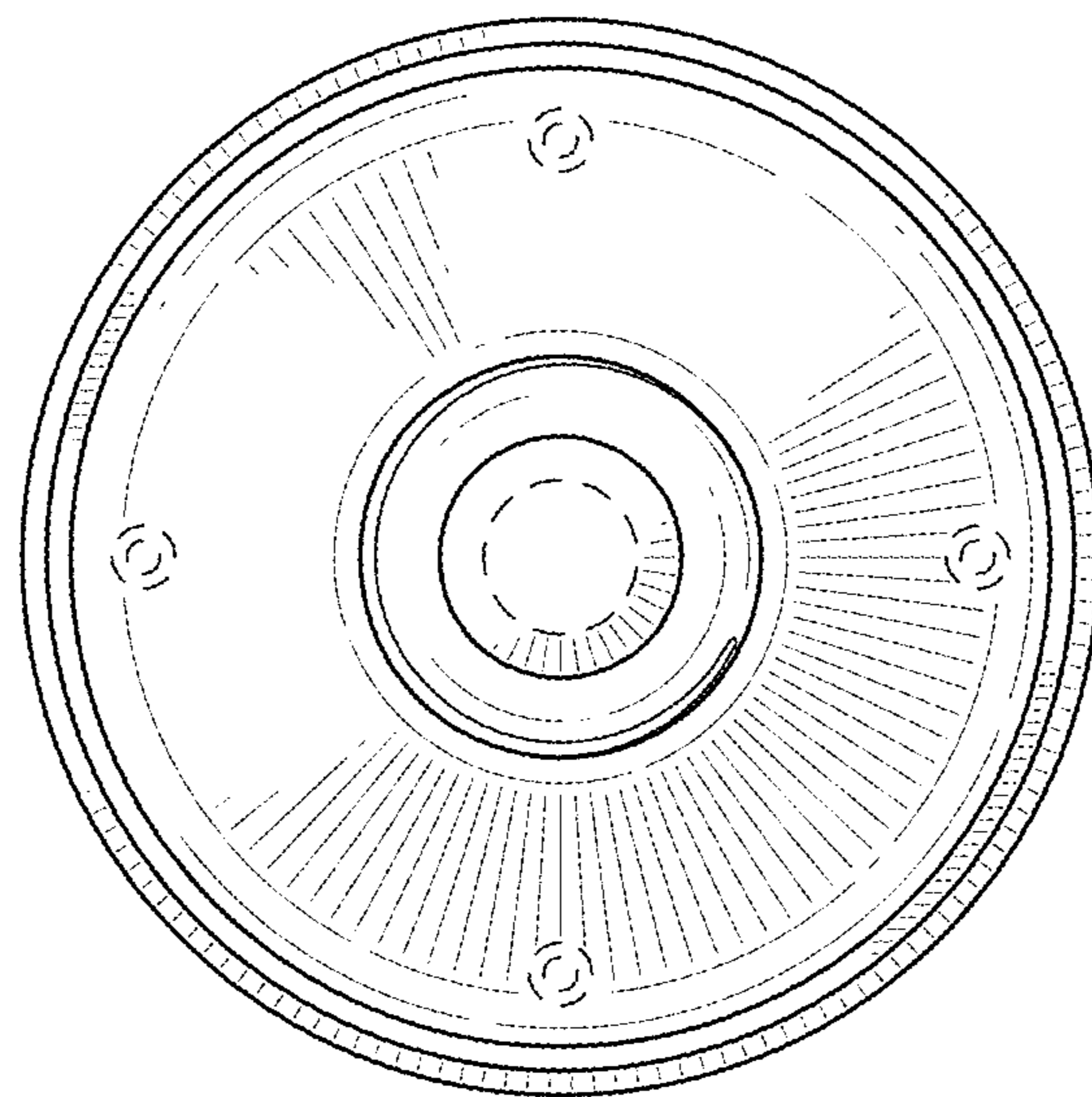


FIG.6

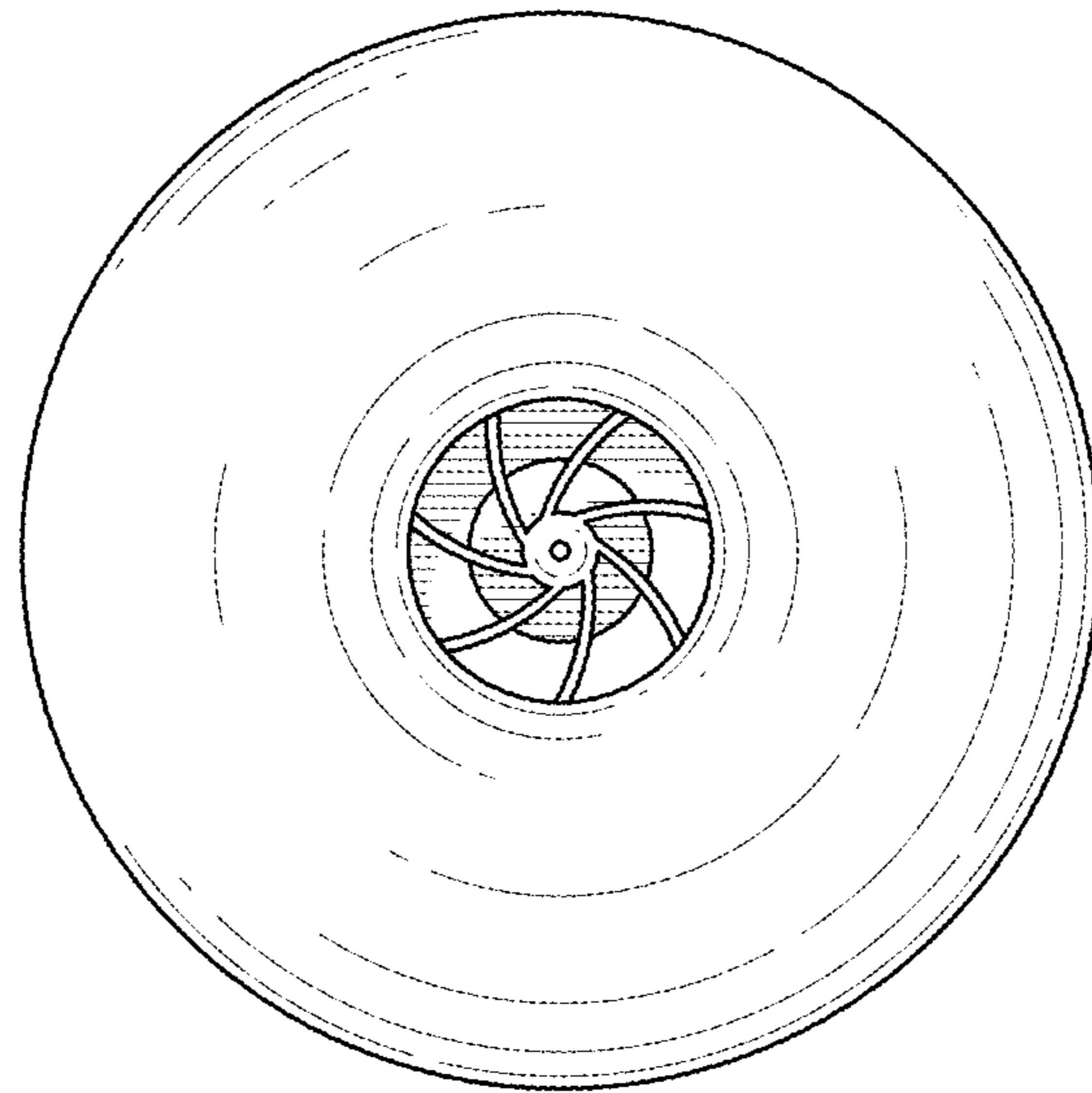


FIG.7