



US00D909627S

(12) **United States Design Patent** (10) **Patent No.:** **US D909,627 S**  
**Duijts** (45) **Date of Patent:** **\*\* Feb. 2, 2021**

(54) **HOLDER FOR BUILDING PANELS**

(56) **References Cited**

(71) Applicant: **H. D. Duijts Holding B.V.**, Ederveen (NL)

U.S. PATENT DOCUMENTS

(72) Inventor: **Hendrikus Dorotheus Duijts**, Ederveen (NL)

1,642,069	A *	9/1927	Heet .....	E04G 1/32 182/224
1,996,761	A *	4/1935	Gould .....	E04G 1/32 182/224
D325,639	S *	4/1992	Tavella .....	D25/68
D408,086	S *	4/1999	DuRapau .....	D25/68
D423,686	S *	4/2000	Swain .....	D25/68
D432,795	S *	10/2000	Block .....	D6/300
D543,382	S *	5/2007	Glassenberg .....	D6/678.4
D617,115	S *	6/2010	Wheeler .....	D6/672
D781,452	S *	3/2017	Bokros .....	D25/68
D788,328	S *	5/2017	Mittag .....	D25/68
D805,217	S *	12/2017	Malone .....	D25/68
D859,009	S *	9/2019	Gough .....	D6/300
2019/0021520	A1 *	1/2019	Duijts .....	A47F 5/0823
2020/0017295	A1 *	1/2020	Duijts .....	B65D 19/44

(\*\*) Term: **15 Years**

(21) Appl. No.: **35/507,977**

(22) Filed: **Jun. 4, 2019**

(80) **Hague Agreement Data**

Int. Filing Date: **Jun. 4, 2019**

Int. Reg. No.: **DM/204245**

Int. Reg. Date: **Jun. 4, 2019**

Int. Reg. Pub. Date: **Dec. 6, 2019**

(51) **LOC (13) Cl.** ..... **25-99**

(52) **U.S. Cl.**  
USPC ..... **D25/199**

(58) **Field of Classification Search**  
USPC ..... D6/310, 311, 396, 411, 449, 462, 466,  
D6/467, 509, 552; D21/41, 686;  
D8/354, 349, 363, 373, 394, 382, 395;  
D25/119, 121-125, 136, 138, 199  
CPC .. B65D 43/166; B65D 43/167; E04H 12/182;  
E04H 17/00; E04H 17/20; E04H  
2017/006; E05D 11/06; E05D 11/082;  
E05D 3/122; E05D 3/18; F16M 11/00;  
F16M 11/041; F16M 11/046; F16M  
11/08; F16M 11/14; F16M 11/2014;  
F16M 11/22; F16M 11/24; F16M 11/242;  
F16M 11/28; F16M 13/02; F16M 13/027;  
F16M 2200/02

See application file for complete search history.

\* cited by examiner

*Primary Examiner* — Khawaja Anwar

(57) **CLAIM**

The ornamental design for a holder for building panels, as shown and described.

**DESCRIPTION**

1. Holder for building panels

**1.1** : Perspective

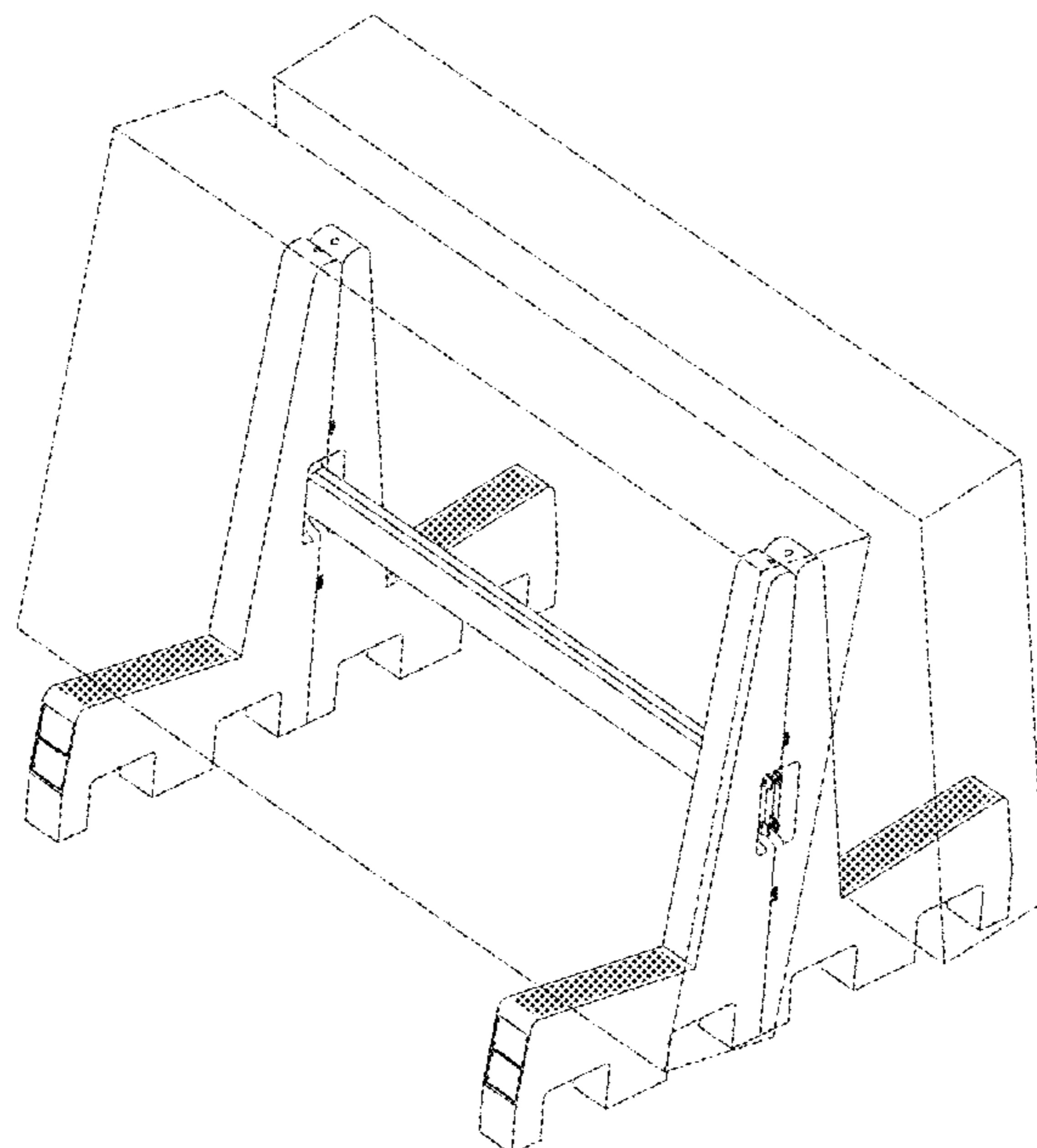
**1.2** : Perspective

**1.3** : Perspective

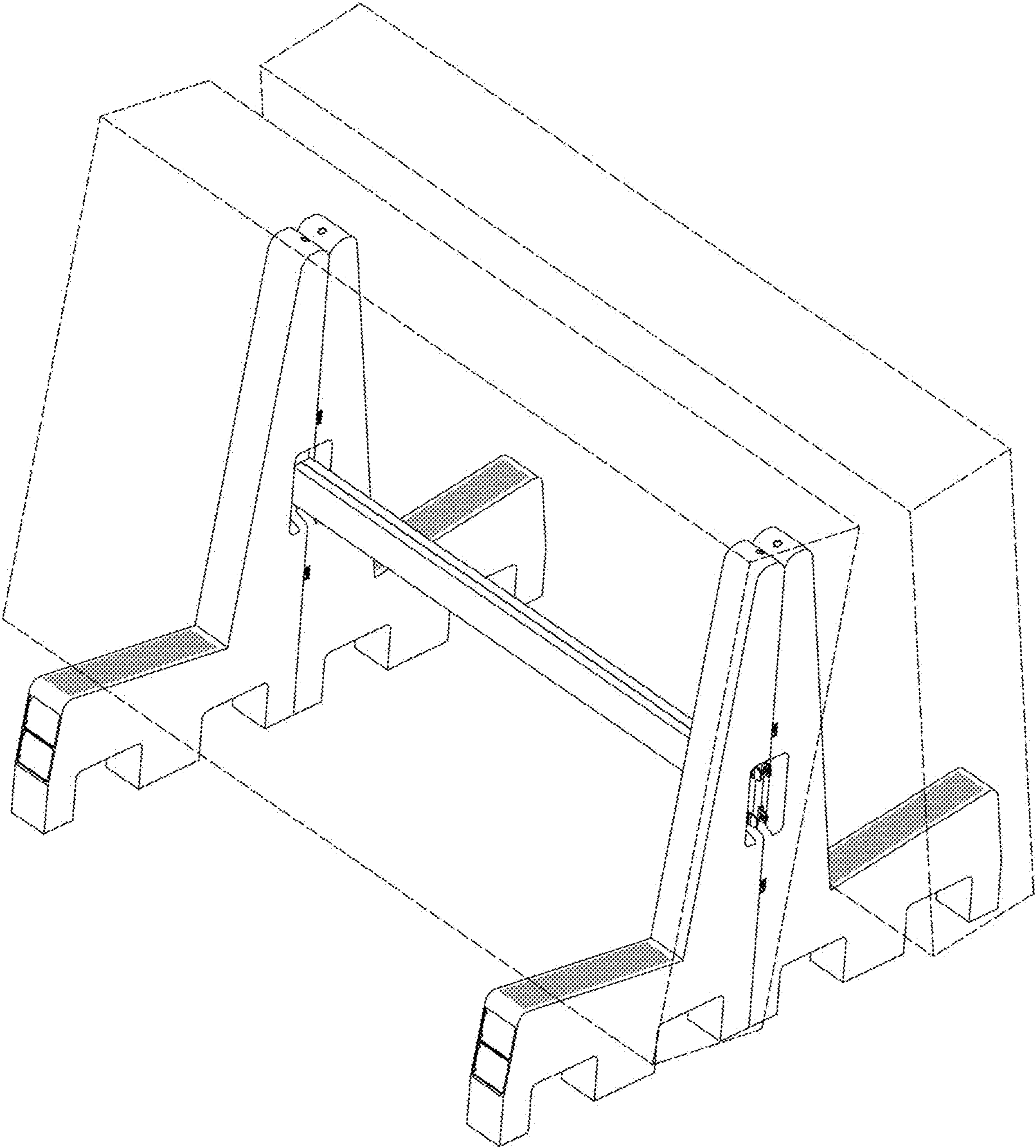
**1.4** : Front

The design concerns a holder for building panels; reproduction **1.1** is a perspective view; reproduction **1.2** is a perspective view of a part on the right side; reproduction **1.3** is a perspective view of a part on the left side; reproduction **1.4** is a front view; the building panels in dotted lines are only for illustrative purposes and form no part of the claimed design.

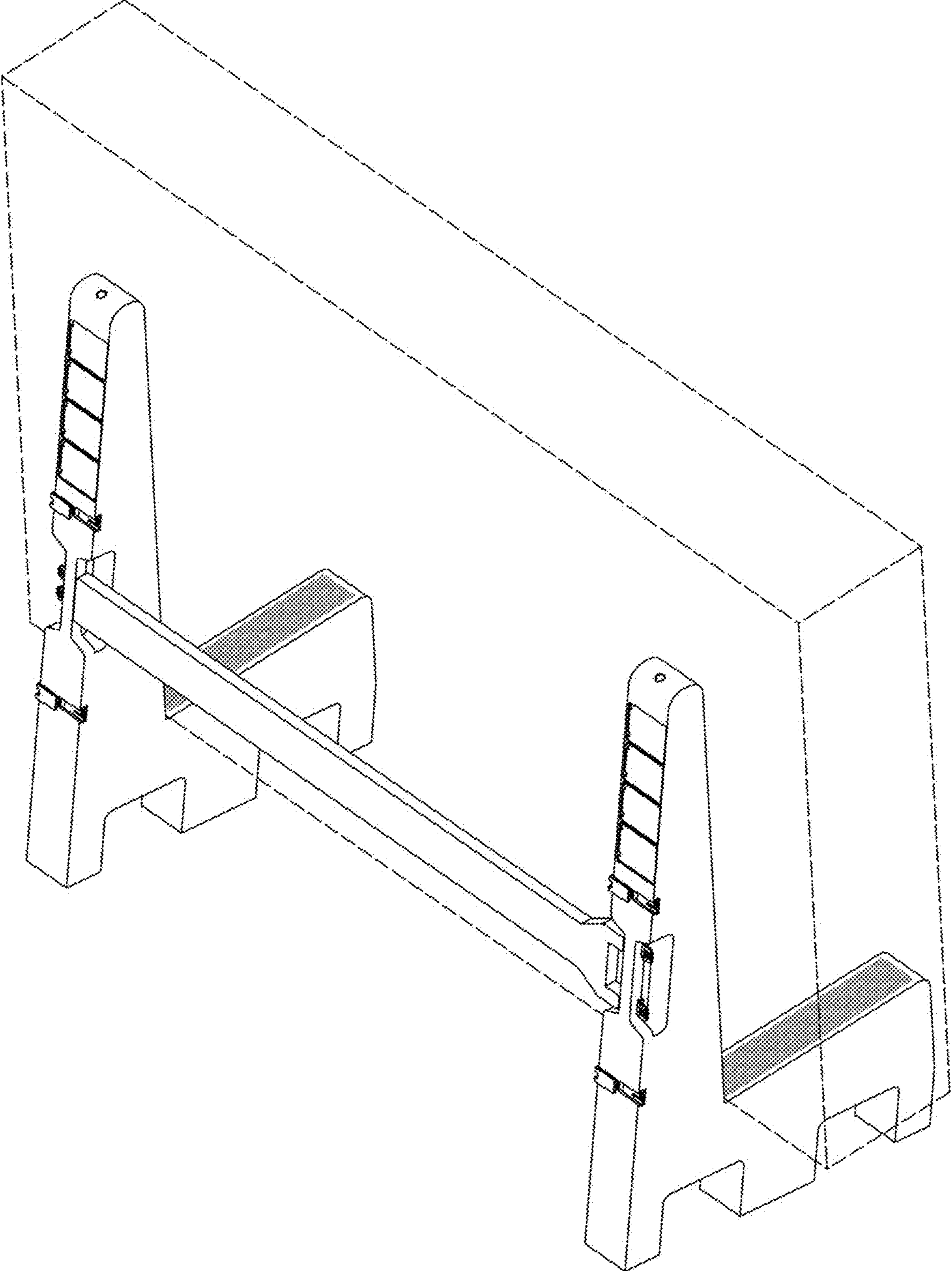
**1 Claim, 4 Drawing Sheets**



1.1

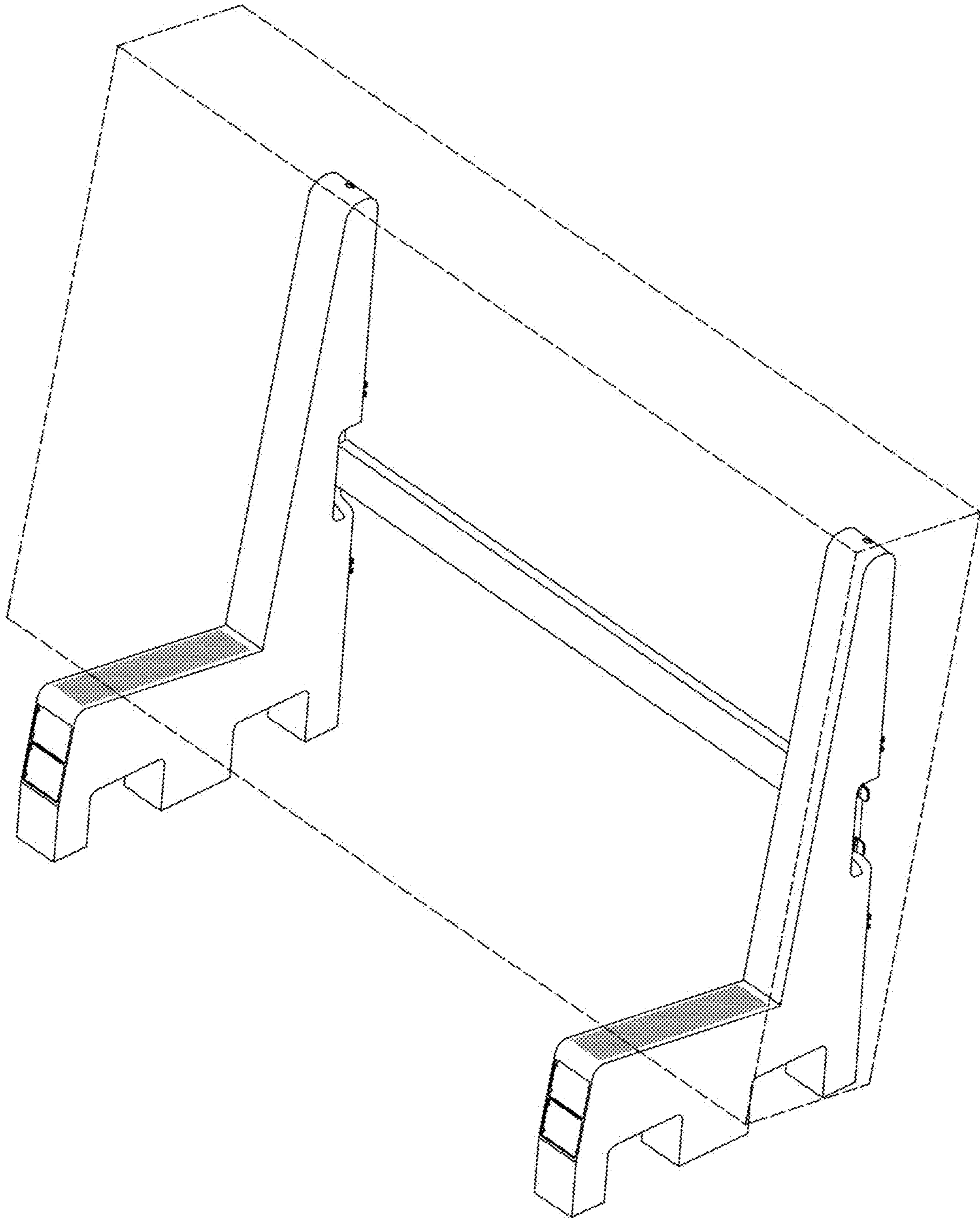


1.2





1.3



1.4

