



US00D909626S

(12) **United States Design Patent** (10) **Patent No.:** **US D909,626 S**
Analetto et al. (45) **Date of Patent:** **** Feb. 2, 2021**

(54) **CURB COVER TO PREVENT VEHICLE WHEEL DAMAGE**

(71) Applicants: **SONNY'S ENTERPRISES, LLC**, Tamarac, FL (US); **CURBHUGGERS LLC**, Atlanta, GA (US)

(72) Inventors: **Anthony Analetto**, Weston, FL (US); **David Guzman**, Tamarac, FL (US); **Steven Shapiro**, Atlanta, GA (US)

(73) Assignees: **Sonny's Enterprises, LLC**, Tamarac, FL (US); **Curbhuaaers LLC**, Atlanta, GA (US)

(**) Term: **15 Years**

(21) Appl. No.: **29/700,999**

(22) Filed: **Aug. 7, 2019**

Related U.S. Application Data

(62) Division of application No. 29/647,606, filed on May 15, 2018, now Pat. No. Des. 874,688.

(51) **LOC (13) Cl.** **25-01**

(52) **U.S. Cl.**
USPC **D25/164**; D8/499

(58) **Field of Classification Search**
USPC D25/119, 136-137, 164, 199; D8/354, D8/400, 402, 403, 499
CPC E01C 11/00; E01C 11/22; E01C 11/221; E01C 9/002; E01F 15/02; E01F 15/08; E01F 15/081; E01F 15/088; E01F 9/553; E01F 9/565; E04F 19/02; E04F 19/022; E04F 19/026; E04F 19/04; E04F 19/06; E04F 19/061; E04F 19/062
See application file for complete search history.

(56) **References Cited**

U.S. PATENT DOCUMENTS

D274,559 S * 7/1984 Rosner D25/119
D283,353 S * 4/1986 Bancroft D25/119

D285,685 S * 9/1986 Winegard D25/119
D332,149 S * 12/1992 Bartlett D25/136
D353,295 S * 12/1994 Bodine D25/164
D366,123 S * 1/1996 Swopes D25/136
D469,885 S * 2/2003 Zen D25/119
6,533,251 B1 * 3/2003 Abbaticchio E04F 19/026
256/59
D482,460 S * 11/2003 Knapp D25/119

(Continued)

Primary Examiner — Llorellys Martinez

(74) *Attorney, Agent, or Firm* — Laurence A. Greenberg; Werner H. Sterner; Ralph E. Locher

(57) **CLAIM**

The ornamental design for a curb cover to prevent vehicle wheel damage, as shown and described.

DESCRIPTION

FIG. 1 is a perspective view of a first embodiment of a curb cover to prevent vehicle wheel damage, showing our new design;

FIG. 2 is a right-side view thereof, the left-side view being a mirror image thereof;

FIG. 3 is a front view thereof;

FIG. 4 is a rear view thereof;

FIG. 5 is a perspective view of a second embodiment of the curb cover to prevent vehicle wheel damage, showing our design in a configuration of use;

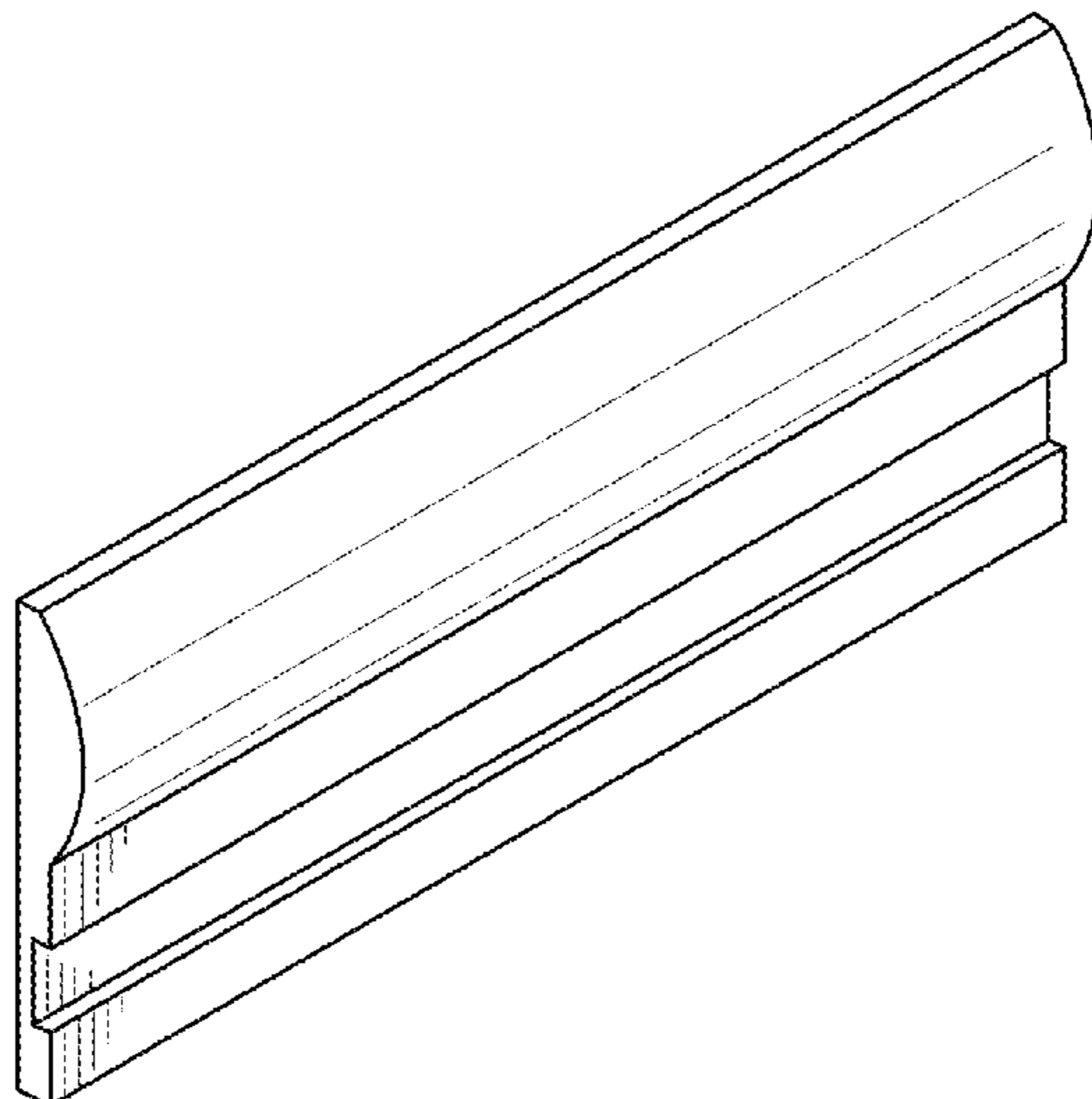
FIG. 6 is a right-side view thereof, the left-side view being a mirror image thereof;

FIG. 7 is a front view thereof; and,

FIG. 8 is a rear view thereof.

The broken lines that are immediately adjacent to the shaded areas in FIGS. 5, 7 and 8 represent portions of the curb cover to prevent vehicle wheel damage that form no part of the claimed design. The other broken lines in FIG. 5 represent environmental subject matter only and form no part of the claimed design.

1 Claim, 3 Drawing Sheets



(56)

References Cited

U.S. PATENT DOCUMENTS

D486,248	S *	2/2004	Sudano	D25/119
D489,831	S *	5/2004	Glatz	D25/136
D679,421	S *	4/2013	Nolan	D25/125
D686,757	S *	7/2013	Johnston	D25/119
D725,796	S *	3/2015	Van Camp	D25/119
D874,688	S *	2/2020	Analetto	D25/164
2006/0272255	A1 *	12/2006	Honda	E04F 19/02 52/506.05
2007/0094970	A1 *	5/2007	Lee	E04F 19/0495 52/395
2008/0217506	A1 *	9/2008	Cohoon	E04F 19/04 248/683
2009/0249722	A1 *	10/2009	Russell	E04F 19/02 52/309.4
2010/0251632	A1 *	10/2010	Chen	E04F 19/04 52/95
2015/0087213	A1 *	3/2015	Owens	E04F 19/02 451/523
2017/0067259	A1 *	3/2017	Guzman	E04F 19/0436
2018/0187386	A1 *	7/2018	Povoli	E01F 15/088
2019/0237952	A1 *	8/2019	Jain	E04F 19/026

* cited by examiner

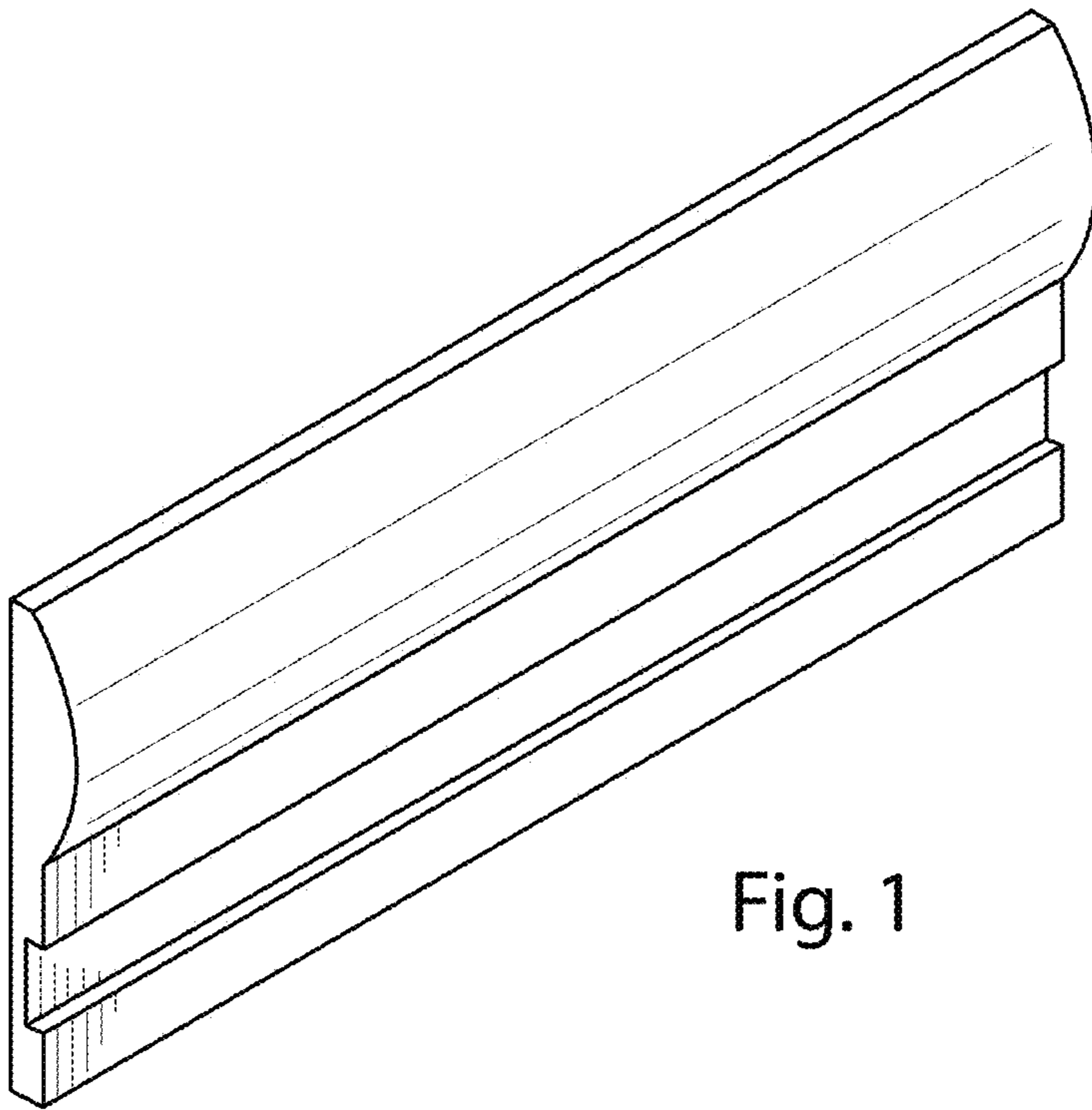


Fig. 1



Fig. 2

Fig. 3

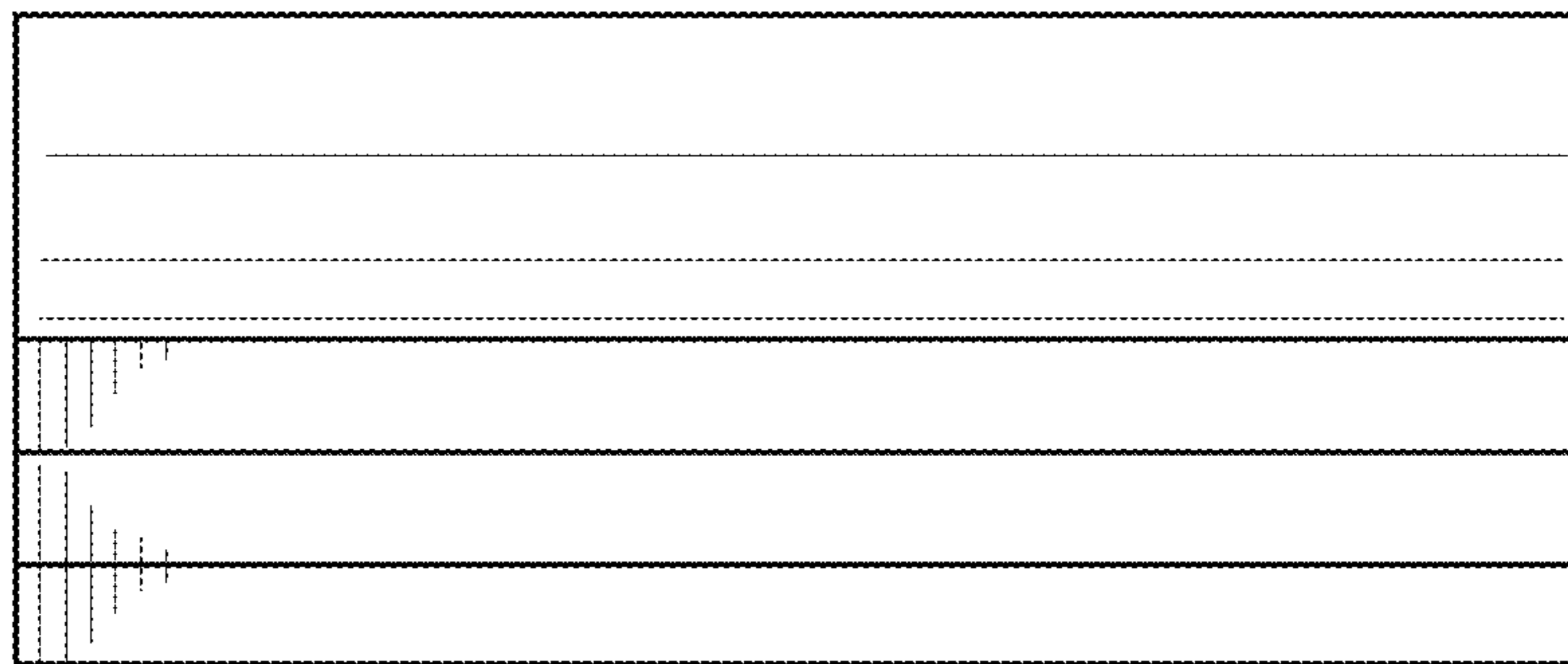
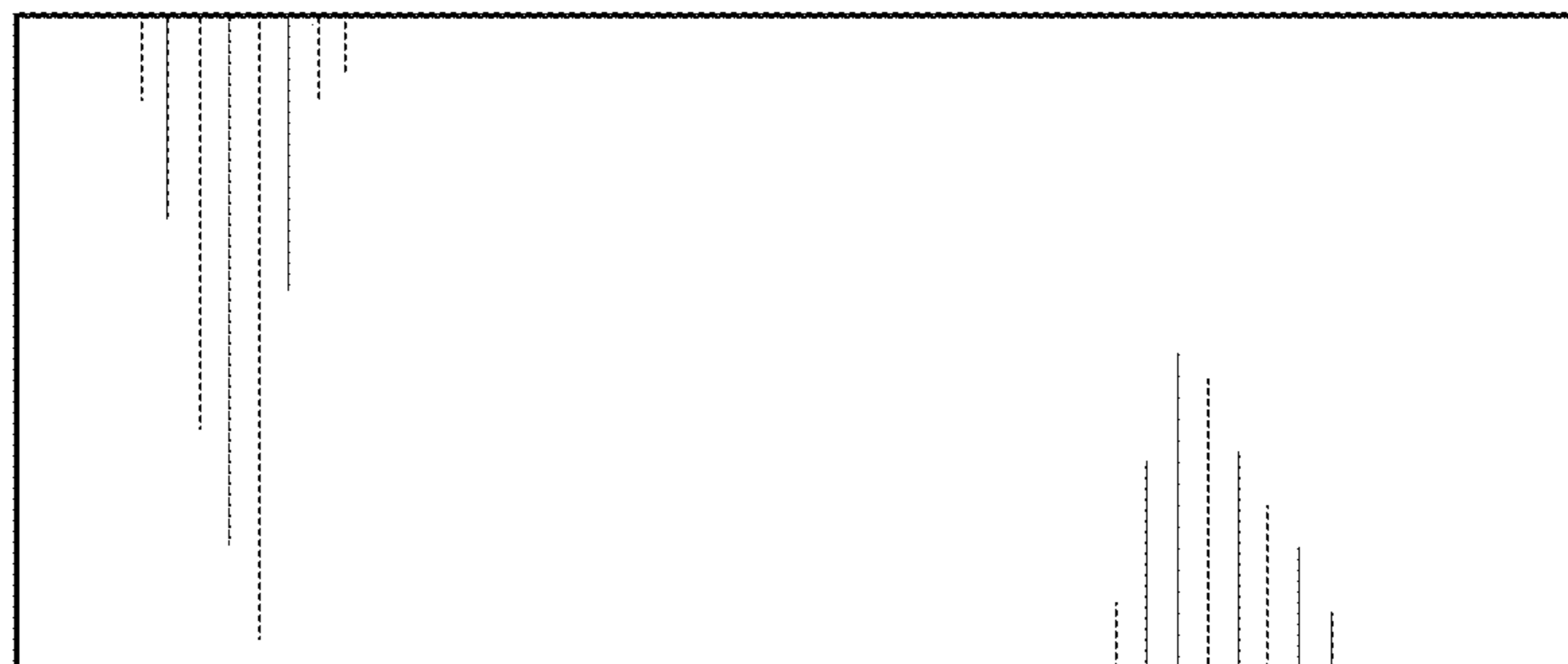


Fig. 4



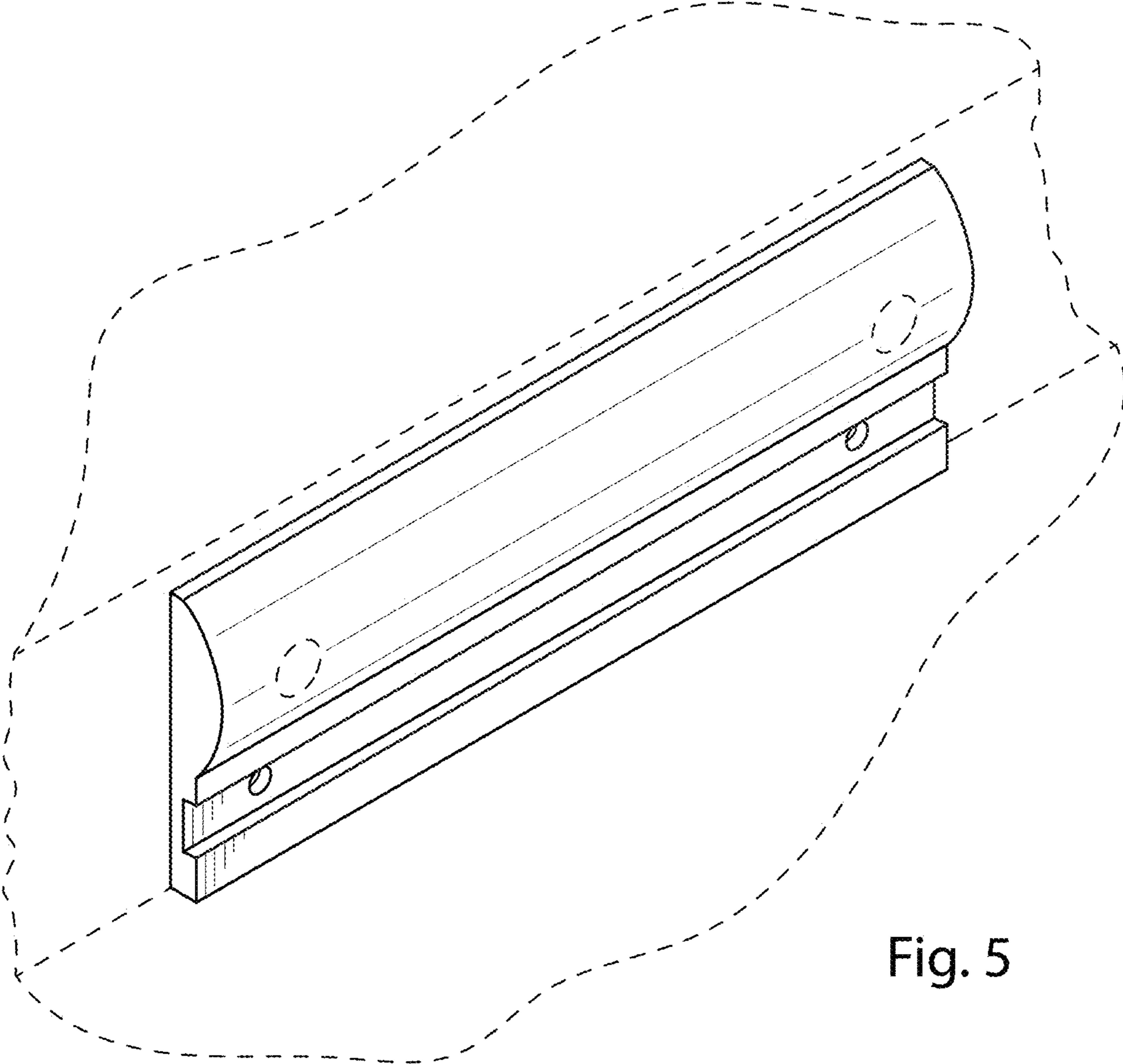


Fig. 5



Fig. 6

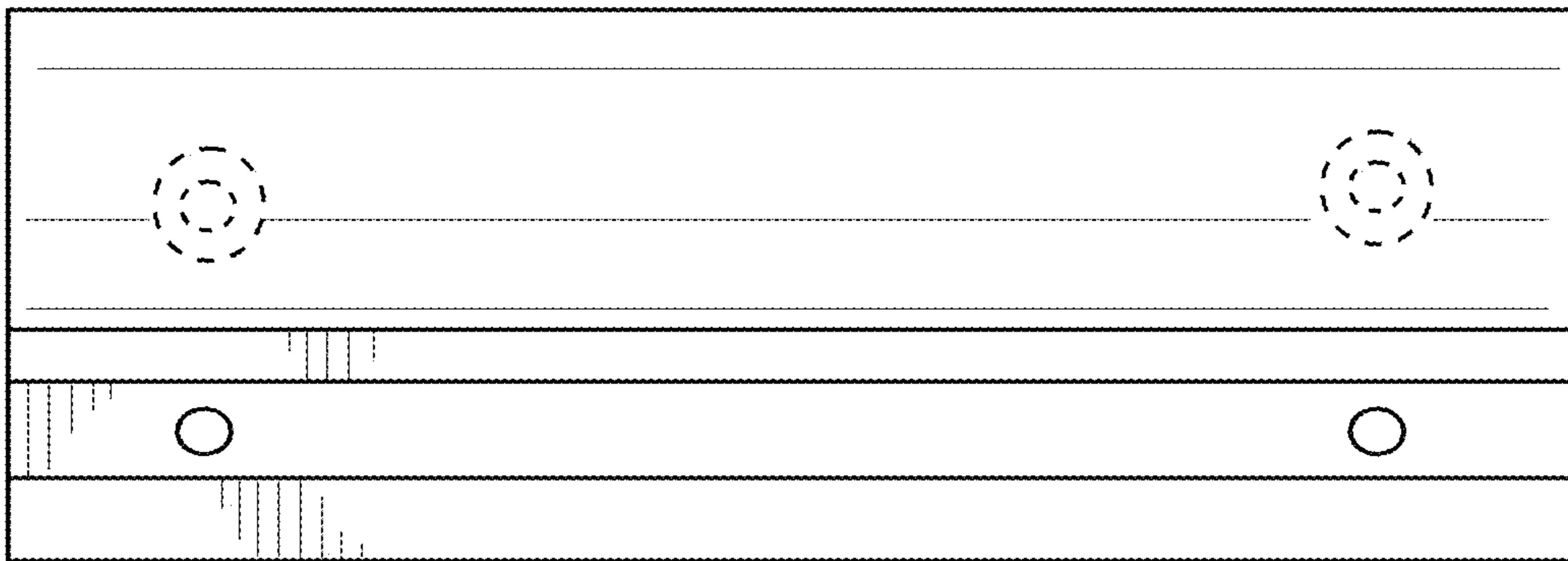


Fig. 7

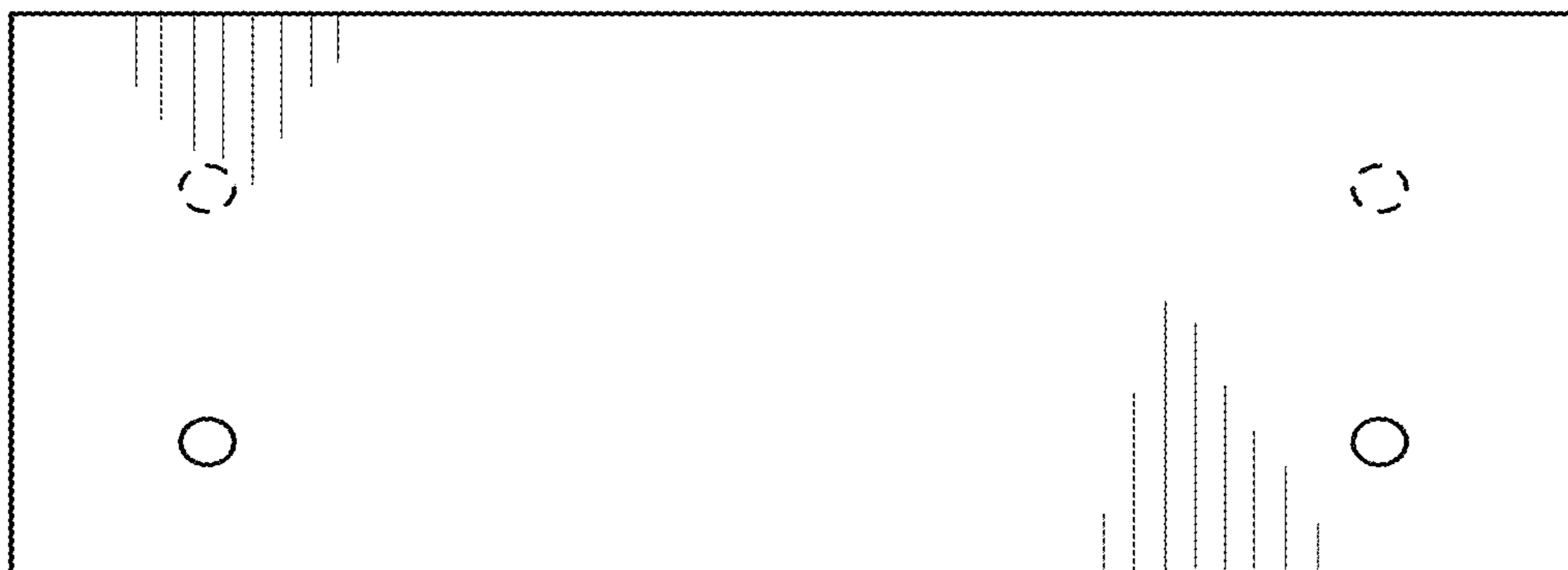


Fig. 8

UNITED STATES PATENT AND TRADEMARK OFFICE
CERTIFICATE OF CORRECTION

PATENT NO. : D909,626 S
APPLICATION NO. : 29/700999
DATED : February 2, 2021
INVENTOR(S) : Anthony Analetto et al.

Page 1 of 1

It is certified that error appears in the above-identified patent and that said Letters Patent is hereby corrected as shown below:

On the Title Page

Item [73], should read:

Sonny's Enterprises, LLC, Tamarac, FL (US)

Curbhuggers LLC, Atlanta, GA (US)

Signed and Sealed this
Thirtieth Day of March, 2021



Drew Hirshfeld
*Performing the Functions and Duties of the
Under Secretary of Commerce for Intellectual Property and
Director of the United States Patent and Trademark Office*