



US00D909622S

(12) **United States Design Patent**  
**Carmody et al.**

(10) **Patent No.:** **US D909,622 S**

(45) **Date of Patent:** **\*\* Feb. 2, 2021**

(54) **POST PROTECTOR**

(71) Applicants: **Kane Carmody**, Janesville, WI (US);  
**Jennifer Carmody**, Janesville, WI (US)

(72) Inventors: **Kane Carmody**, Janesville, WI (US);  
**Jennifer Carmody**, Janesville, WI (US)

(\*\*) Term: **15 Years**

(21) Appl. No.: **29/707,236**

(22) Filed: **Sep. 26, 2019**

**Related U.S. Application Data**

(63) Continuation of application No. 16/045,219, filed on  
Jul. 25, 2018, now Pat. No. 10,450,759.

(51) **LOC (13) Cl.** ..... **25-01**

(52) **U.S. Cl.**  
USPC ..... **D25/133**

(58) **Field of Classification Search**  
USPC .... D25/35, 60, 61, 119, 120, 121, 122, 123,  
D25/124, 125, 126, 127, 128, 129, 130,  
(Continued)

(56) **References Cited**

**U.S. PATENT DOCUMENTS**

942,761 A \* 12/1909 Voynow ..... E04H 12/2292  
52/835  
1,609,874 A \* 12/1926 Heydon ..... E04H 12/2292  
138/157

(Continued)

**OTHER PUBLICATIONS**

Post Shields Post Protector [https://www.amazon.com/Post-Shields-3-5-High-White/dp/B00YB35UTS/ref=sr\\_1\\_2?dchild=1&keywords=post+shields&qid=1595018960&sr=8-2](https://www.amazon.com/Post-Shields-3-5-High-White/dp/B00YB35UTS/ref=sr_1_2?dchild=1&keywords=post+shields&qid=1595018960&sr=8-2) May 7, 2014 (Year: 2014).\*

*Primary Examiner* — Samantha Q Lawrence  
(74) *Attorney, Agent, or Firm* — Brian S. Steinberger;  
Hilary F. Steinberger; Law Offices of Brian S.  
Steinberger, P.A.

(57) **CLAIM**

The ornamental design for post protector, as shown and described.

**DESCRIPTION**

FIG. 1 is an upper front left perspective view of the novel assembled post protector.

FIG. 2 is an upper front perspective view of the assembled post protector of FIG. 1.

FIG. 3 is a lower front left perspective view of the assembled post protector of FIG. 1.

FIG. 4 is a lower front perspective view of the assembled post protector of FIG. 1.

FIG. 5 is a front view of the assembled post protector of FIG. 1.

FIG. 6 is a rear view of the assembled post protector of FIG. 1.

FIG. 7 is a left side view of the assembled post protector of FIG. 1.

FIG. 8 is a right side view of the assembled post protector of FIG. 1.

FIG. 9 is a top view of the assembled post protector of FIG. 1.

FIG. 10 is a bottom view of the assembled post protector of FIG. 1.

FIG. 11 is an upper front left perspective view of a single panel of the assembled post protector of FIG. 1.

FIG. 12 is a front perspective view of the single panel of FIG. 11.

FIG. 13 is a lower front right perspective view of the single panel of FIG. 11.

FIG. 14 is a rear perspective view of the single panel of FIG. 11.

FIG. 15 is a front view of the single panel of FIG. 11.

FIG. 16 is a rear view of the single panel of FIG. 11.

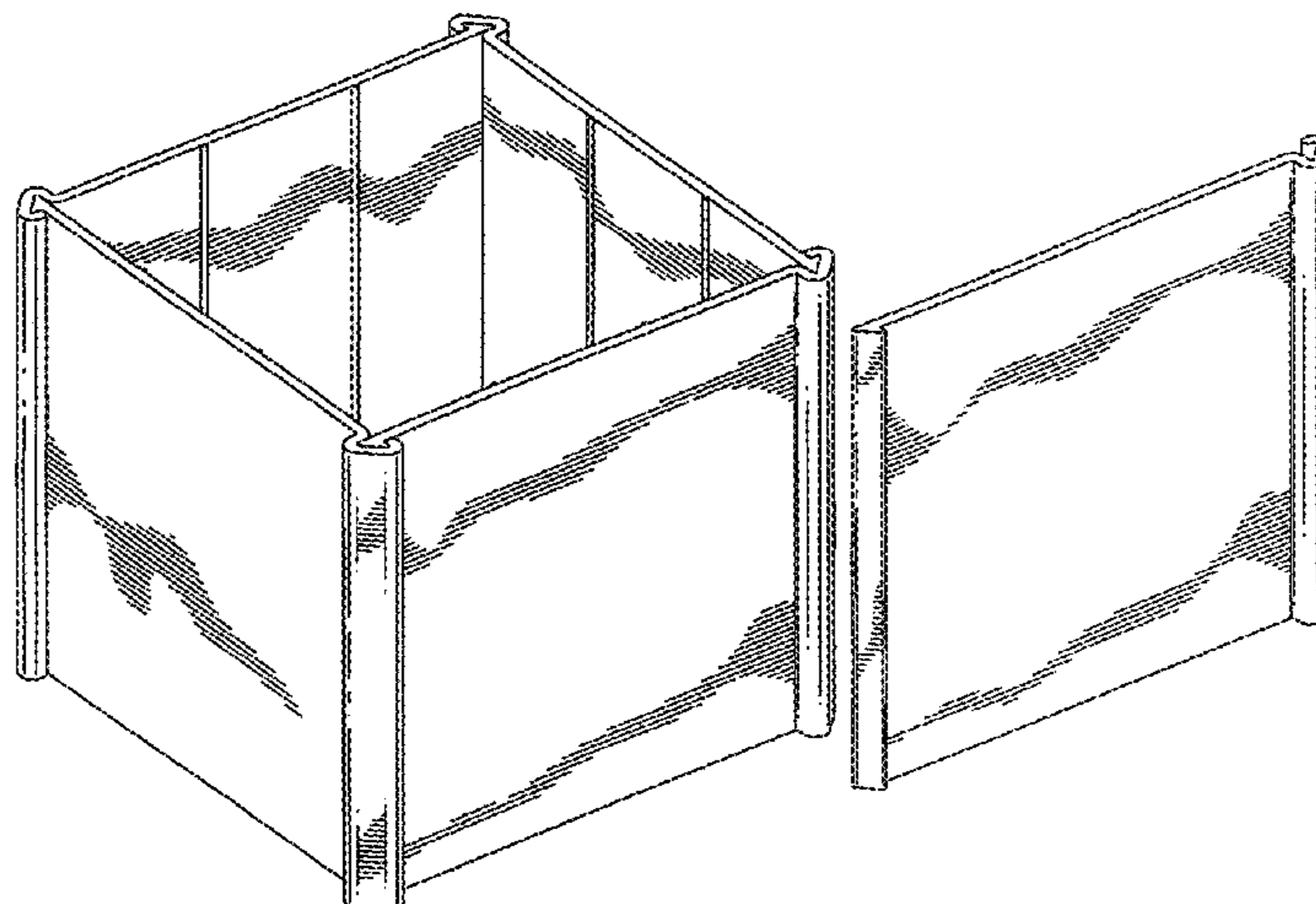
FIG. 17 is a left side view of the single panel of FIG. 11.

FIG. 18 is a right side view of the single panel of FIG. 11.

FIG. 19 is a top view of the single panel of FIG. 11; and,

FIG. 20 is a bottom view of the single panel of FIG. 11.

**1 Claim, 20 Drawing Sheets**



# US D909,622 S

Page 2

(58) **Field of Classification Search**

USPC ..... D25/131, 132, 133, 134, 135, 136, 164,  
D25/199; D8/323, 327, 328, 329, 339,  
D8/343

CPC ..... E04H 12/2292; E04H 12/22; E04B 1/92;  
E02D 5/60; E04C 2002/004; E04C 3/30;  
E04C 3/127; E04F 13/0736; E01F  
15/141; A47G 29/1216; A47G 29/122;  
A01F 15/0469; A01G 9/28; F16B 5/0036

See application file for complete search history.

(56) **References Cited**

U.S. PATENT DOCUMENTS

1,999,098 A 4/1935 Hillyer  
3,291,437 A \* 12/1966 Bowden ..... E04G 13/021  
249/48  
3,951,294 A 4/1976 Wilson  
5,375,369 A 12/1994 VerHoeve  
D376,855 S \* 12/1996 Leung ..... D25/119  
5,622,356 A 4/1997 Duggan  
5,956,920 A 9/1999 Davis  
6,357,196 B1 3/2002 McCombs  
7,104,525 B2 9/2006 Ricci

D616,115 S \* 5/2010 Clayton ..... D25/126  
7,997,044 B2 8/2011 Green et al.  
8,959,871 B2 2/2015 Parenti et al.  
D745,299 S \* 12/2015 Chang ..... D25/124  
D747,127 S \* 1/2016 Chang ..... D25/120  
9,482,023 B1 \* 11/2016 Carmody ..... E04H 12/2292  
D801,551 S \* 10/2017 Boehl ..... D25/126  
D854,710 S \* 7/2019 Hendry ..... D25/126  
10,450,759 B1 \* 10/2019 Carmody ..... E01F 15/141  
D872,895 S \* 1/2020 Hay, III ..... D25/124  
D877,940 S \* 3/2020 Hanson ..... D25/126  
D879,326 S \* 3/2020 Hendry ..... D25/61  
D888,532 S \* 6/2020 Smalls ..... D8/323  
2005/0229531 A1 \* 10/2005 Green ..... E04C 3/36  
52/834  
2006/0010823 A1 \* 1/2006 Waters ..... E04F 13/0733  
52/834  
2007/0245645 A1 10/2007 Nesbitt  
2008/0000192 A1 1/2008 McGlinch  
2010/0223882 A1 9/2010 Parenti et al.  
2010/0236182 A1 \* 9/2010 Mackenzie ..... E04F 19/00  
52/588.1  
2010/0319197 A1 \* 12/2010 Kan ..... E04F 13/0736  
29/897.32  
2020/0018086 A1 \* 1/2020 Durrant ..... E04H 12/2269  
2020/0109529 A1 \* 4/2020 Kemmish ..... E01F 9/681

\* cited by examiner

FIG. 1

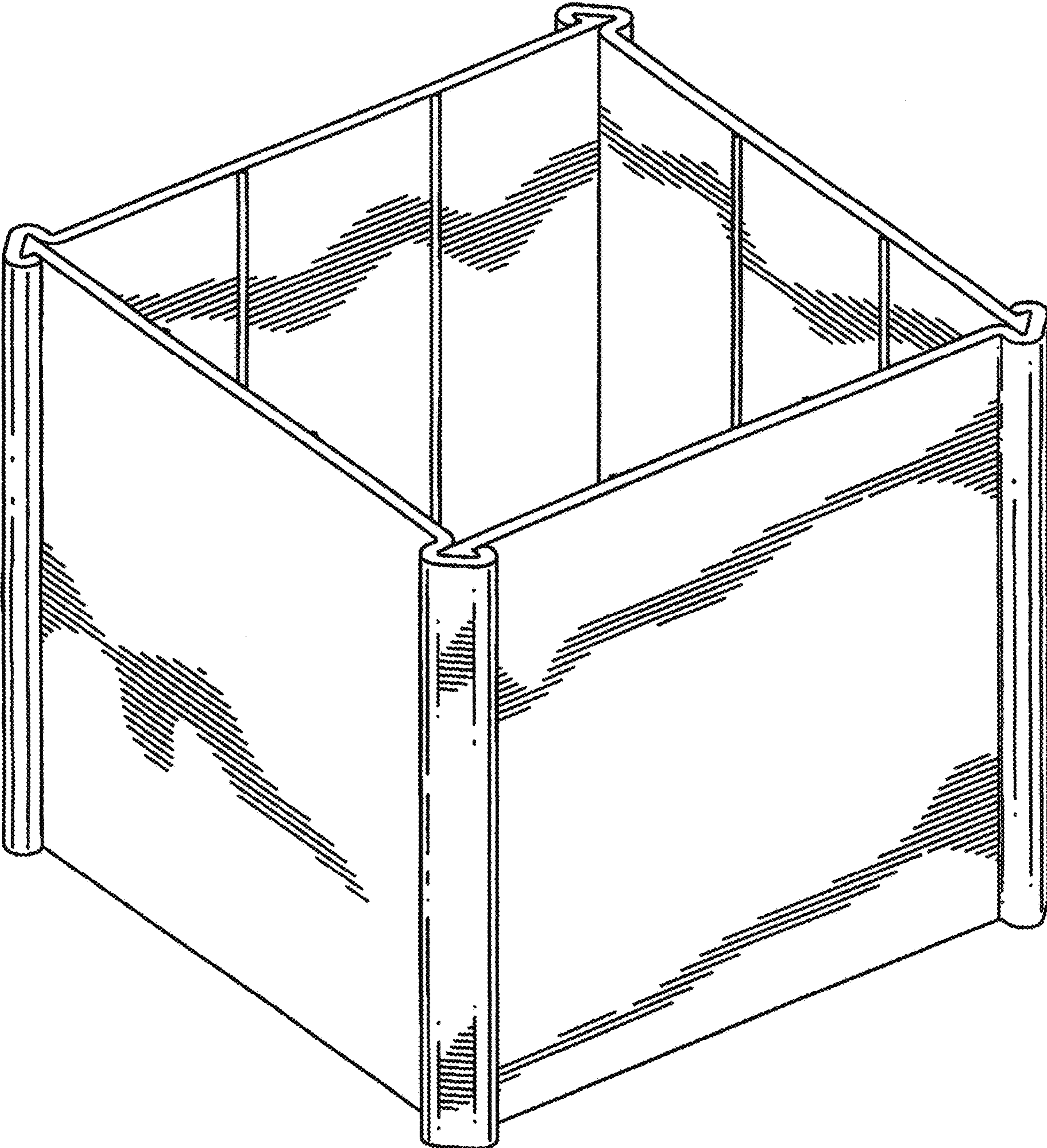


FIG. 2

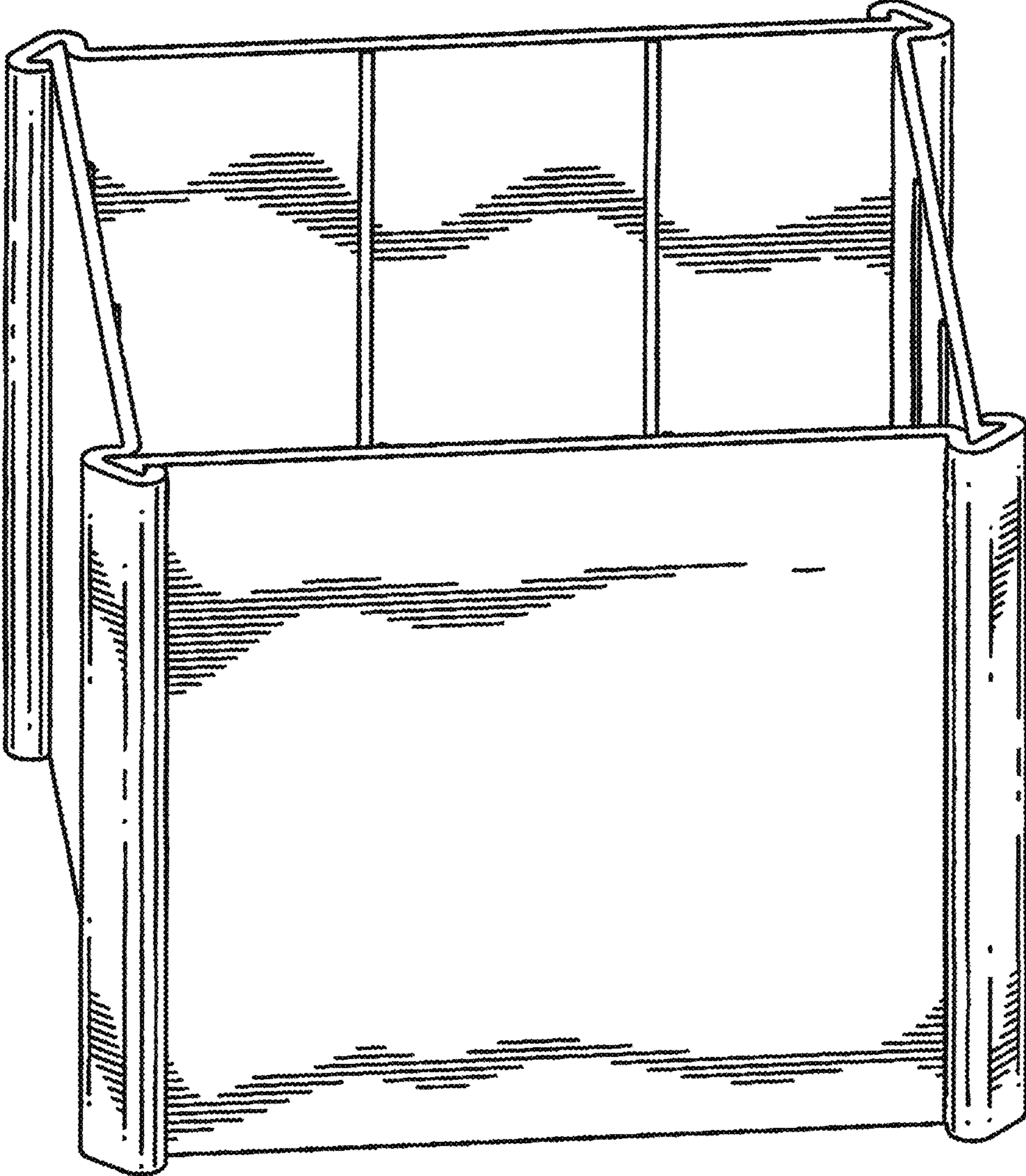


FIG. 3

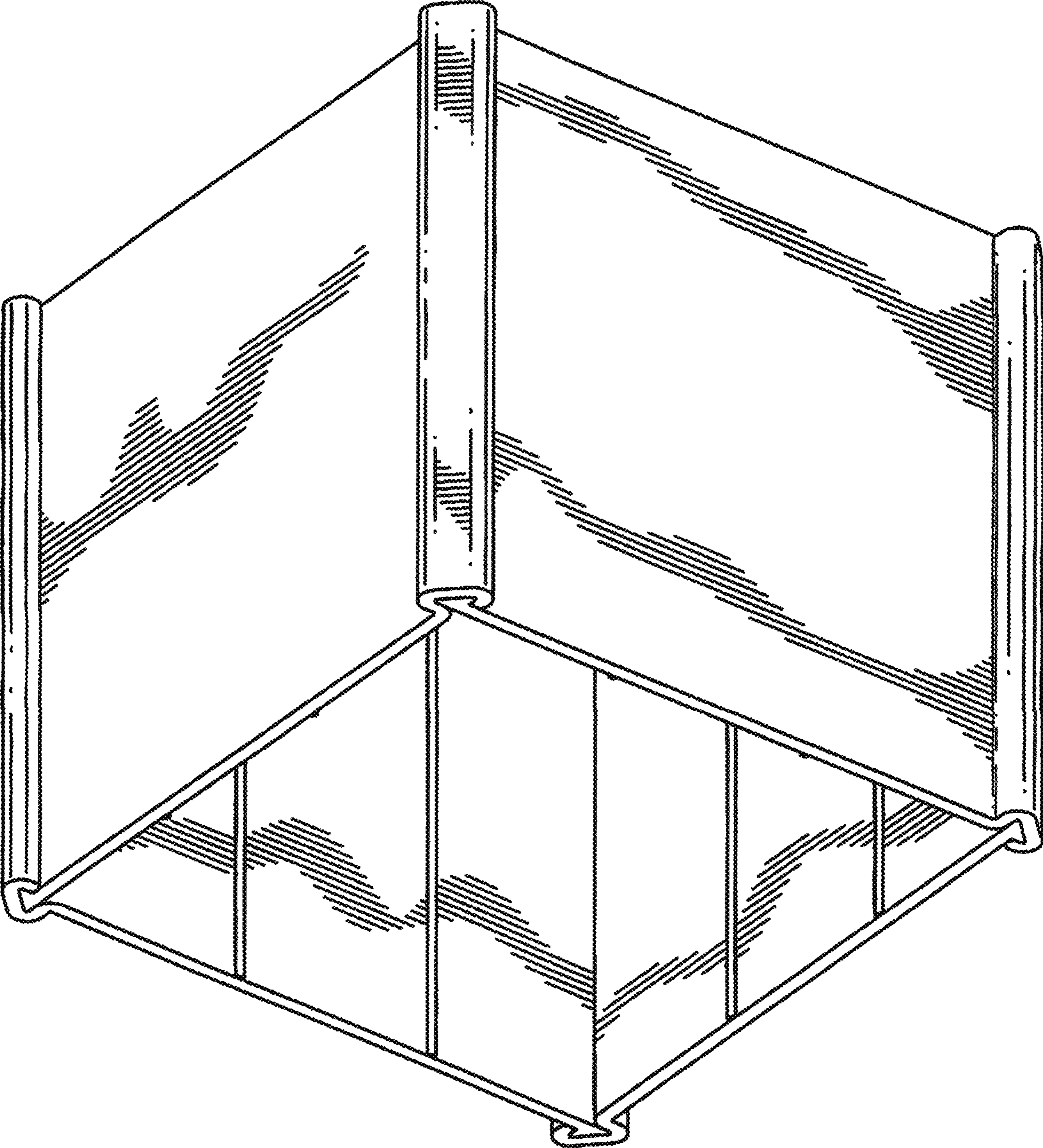


FIG. 4

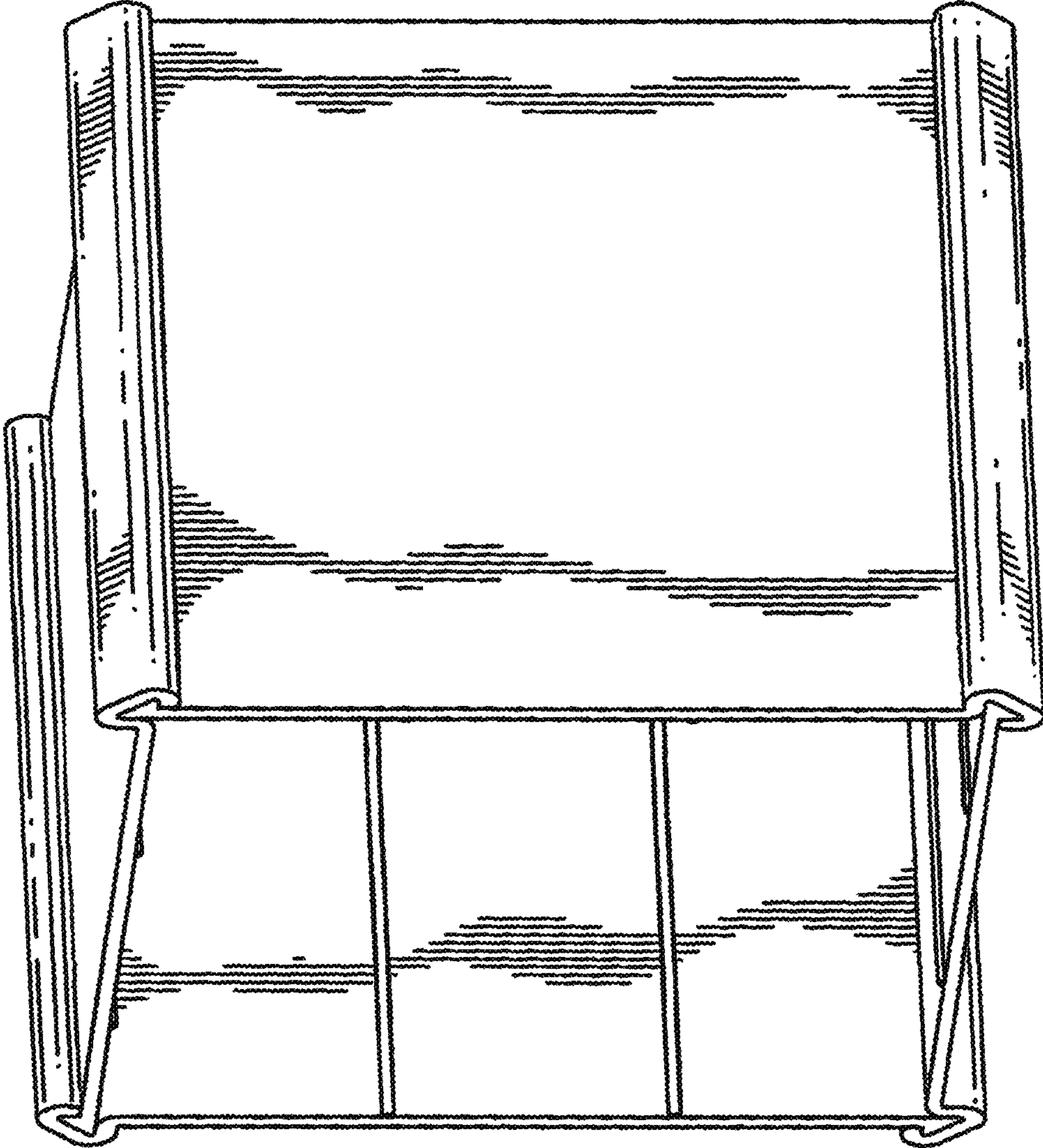


FIG. 5

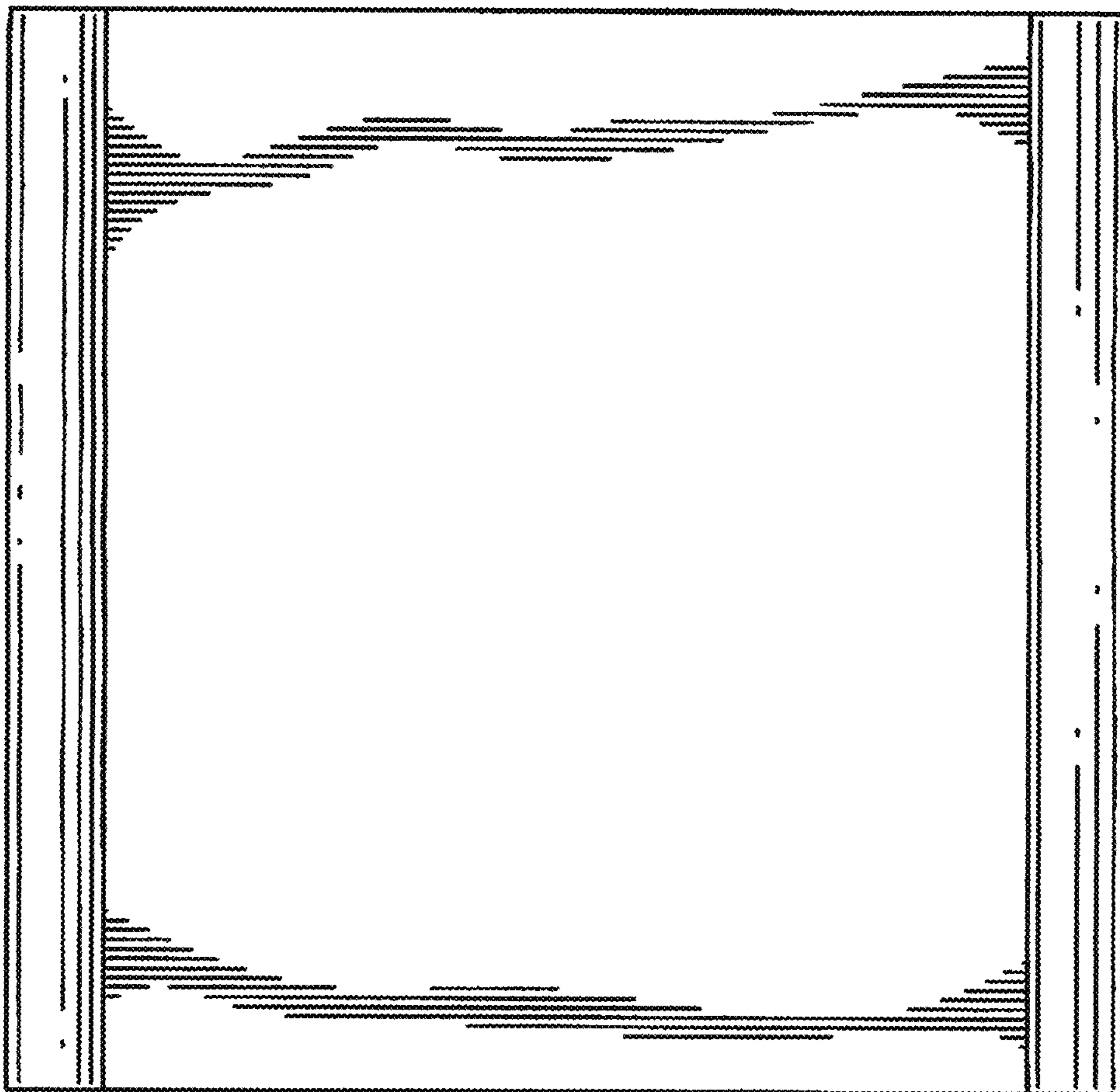


FIG. 6

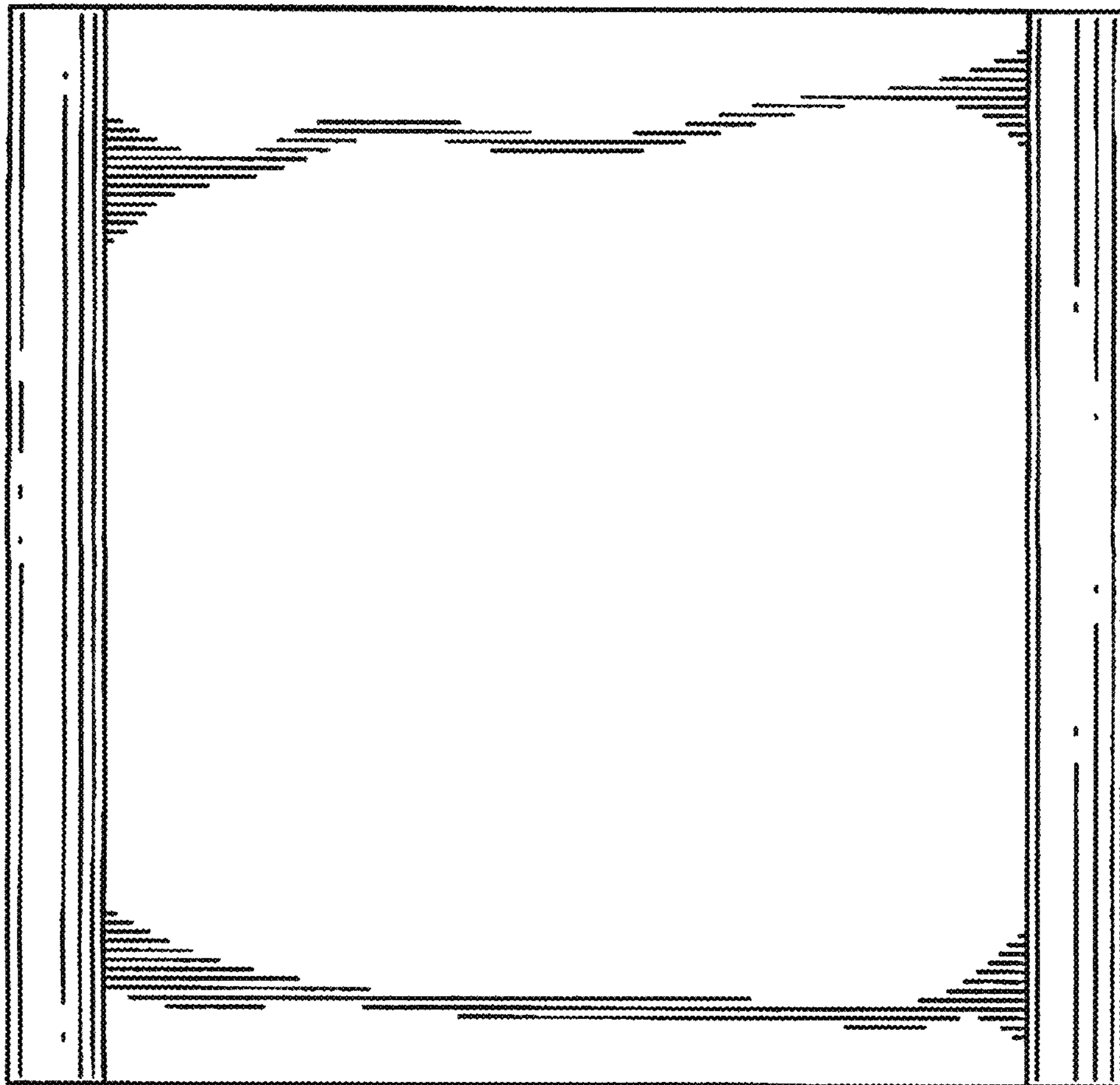




FIG. 7

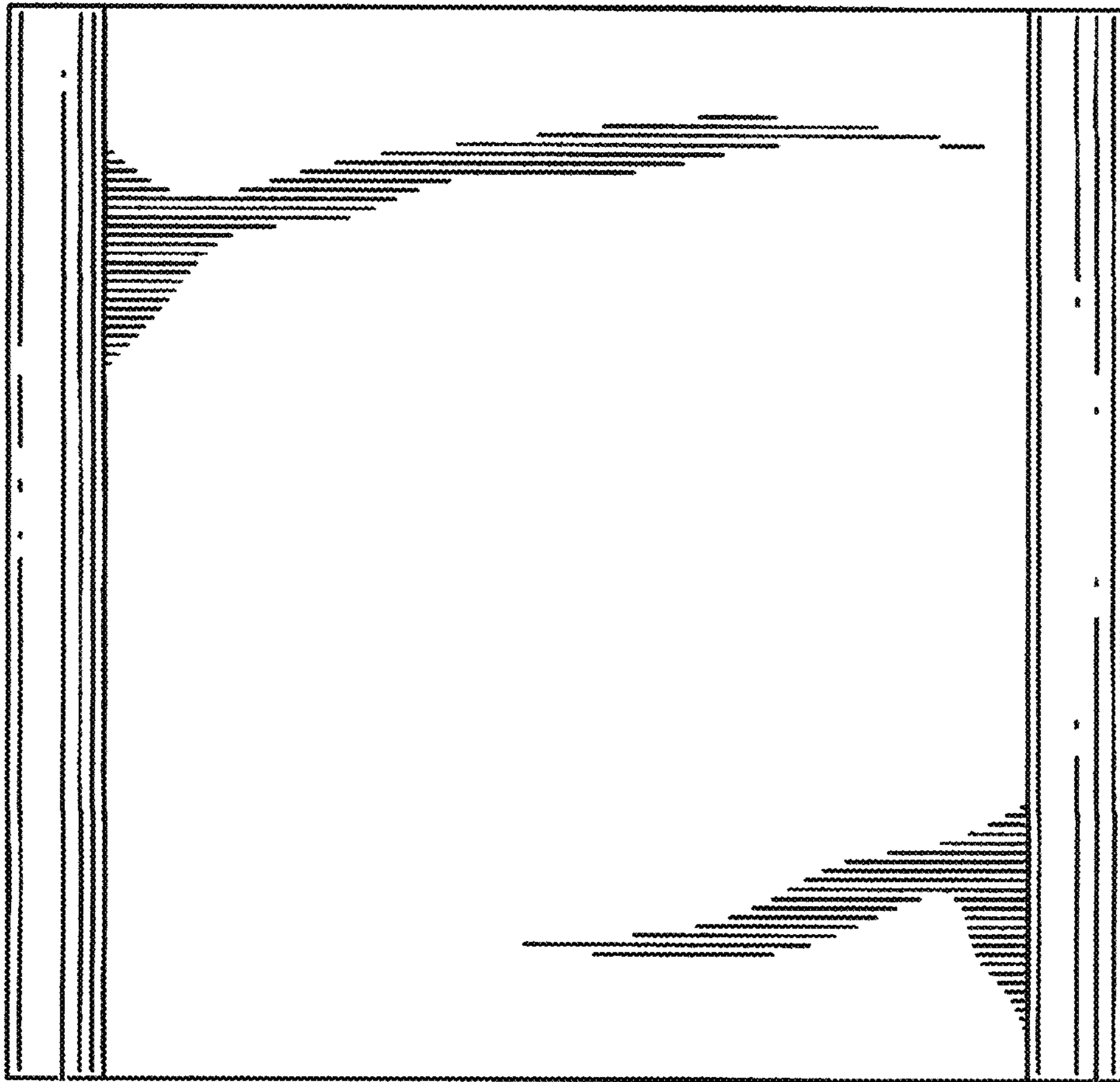


FIG. 8

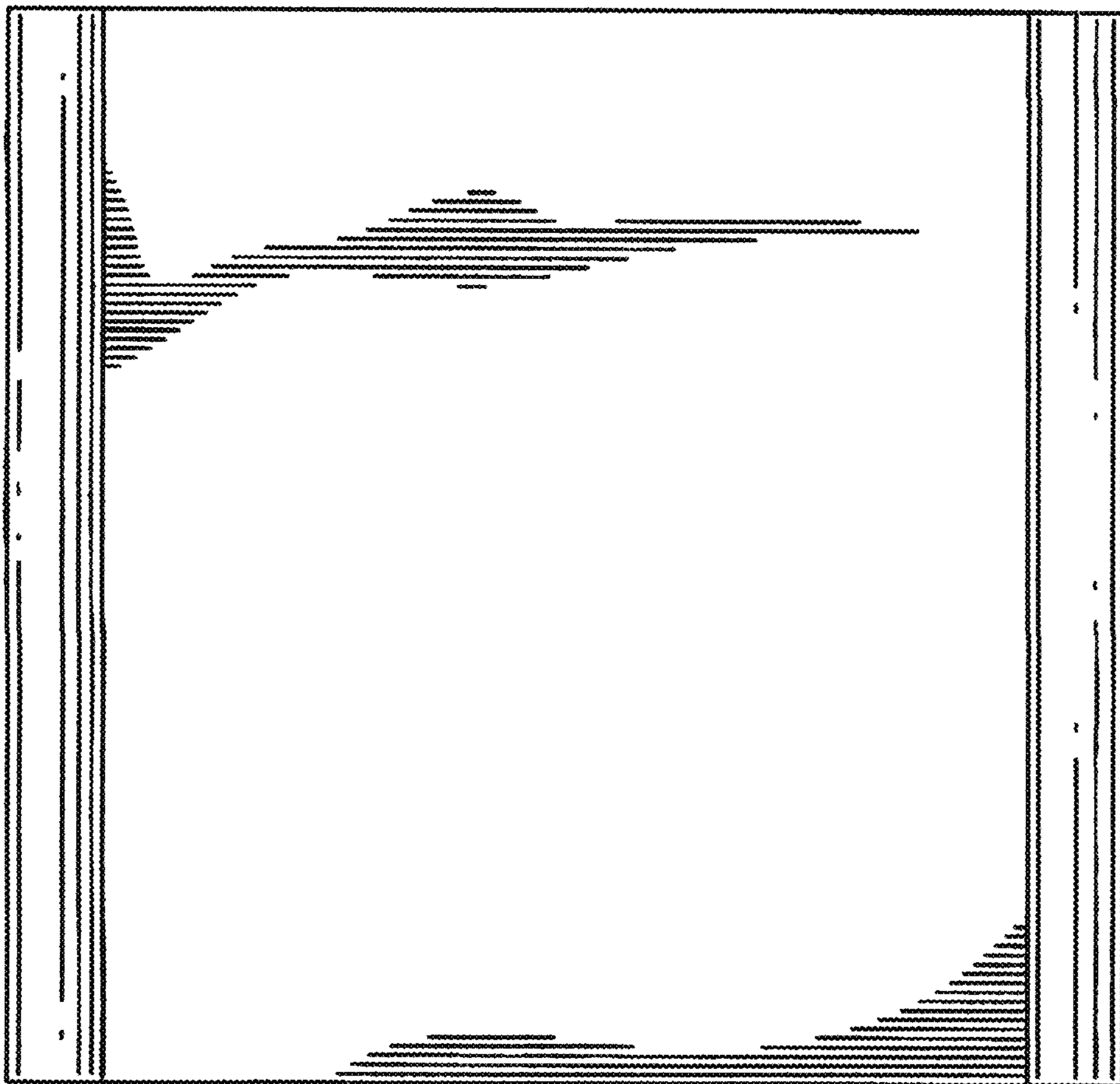


FIG. 9

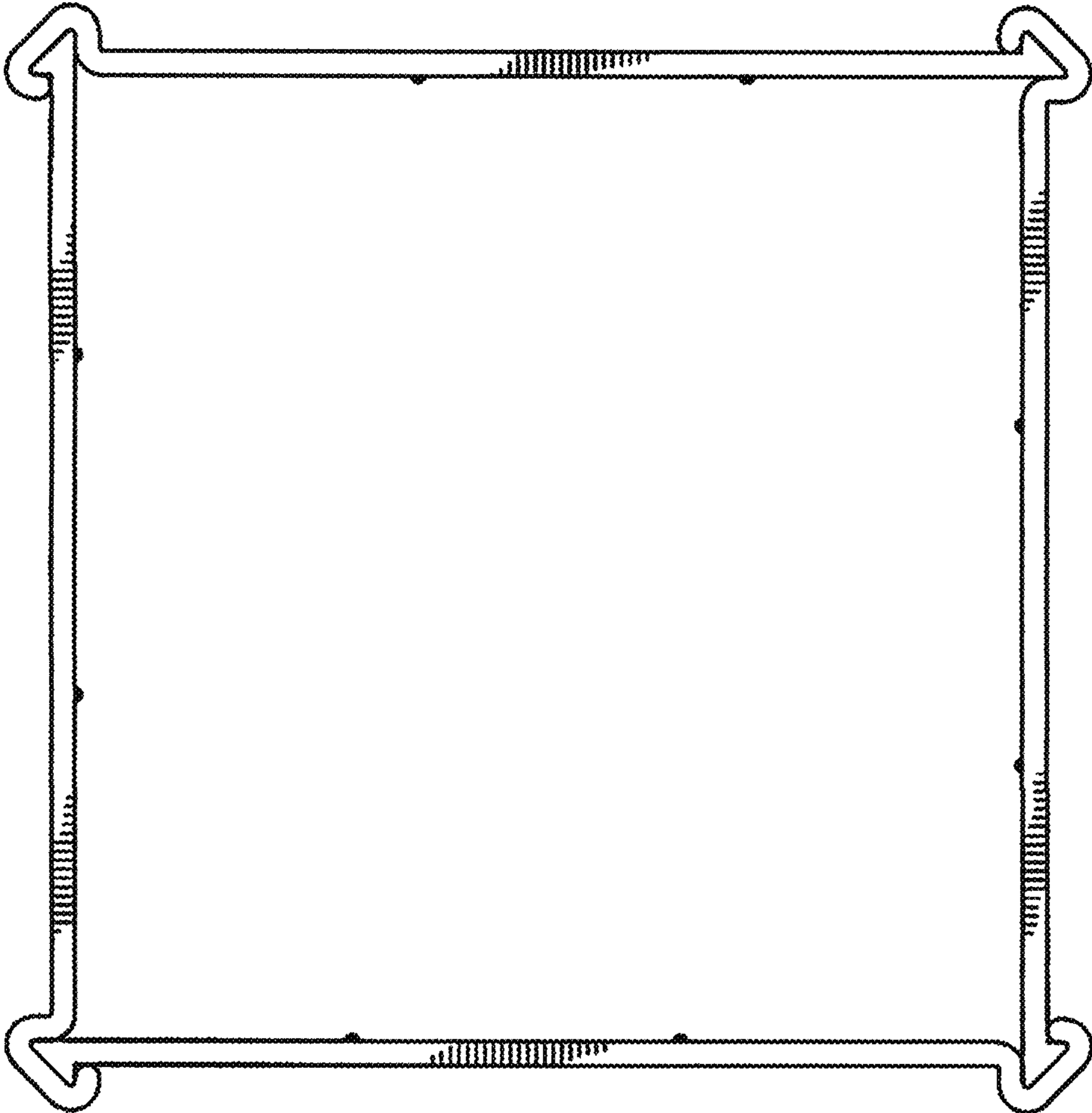


FIG. 10

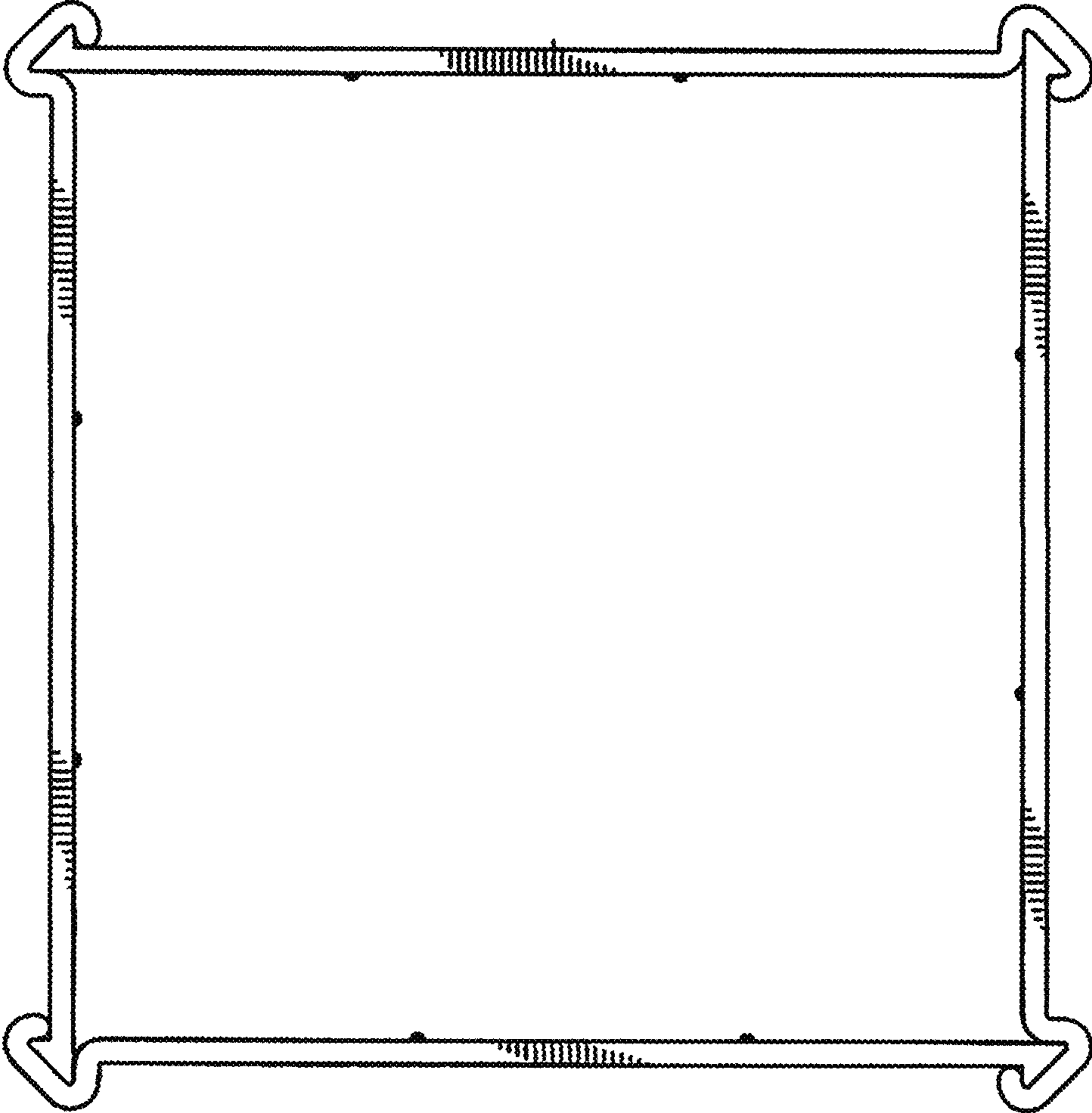


FIG. 11

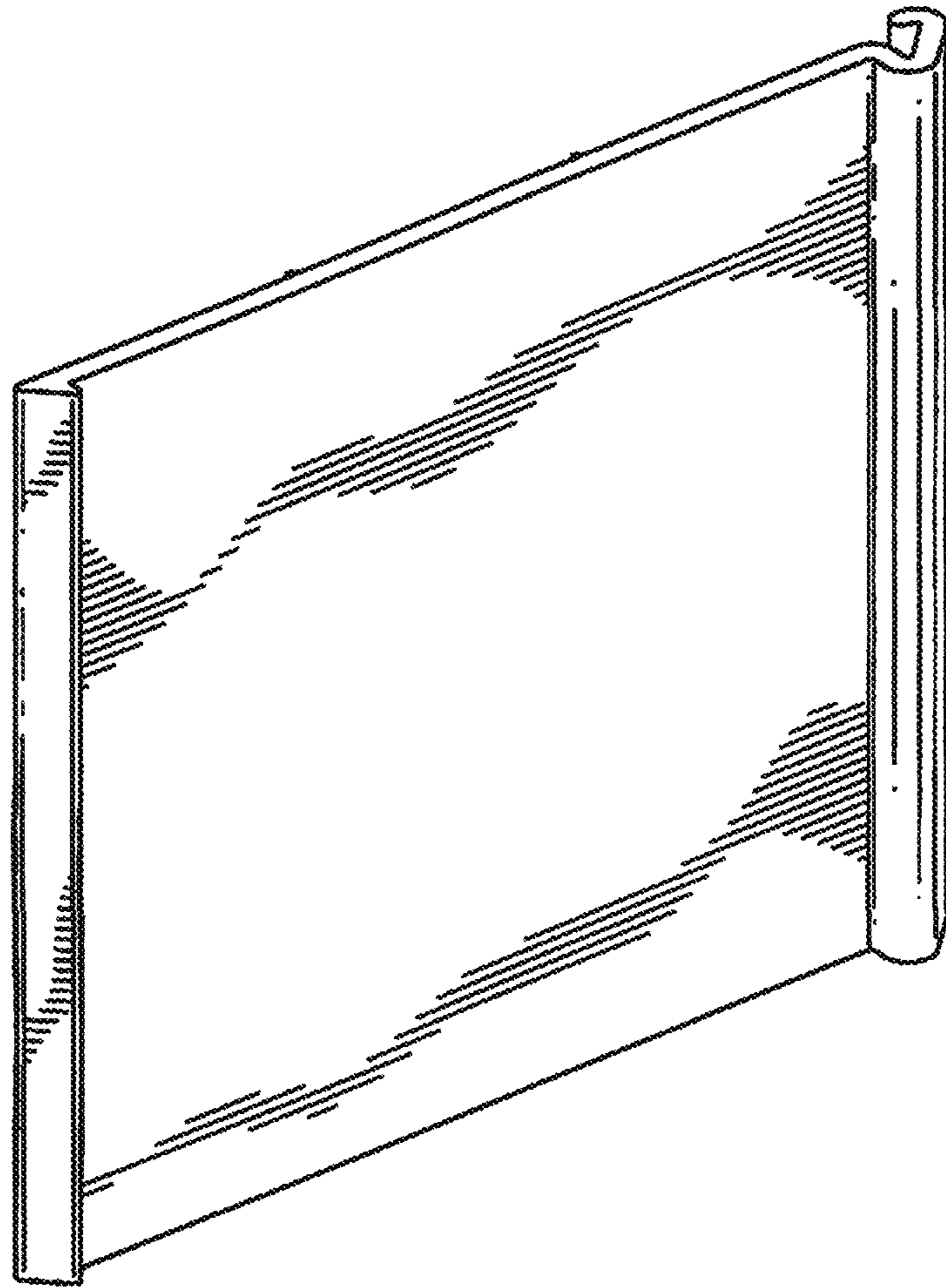


FIG. 12

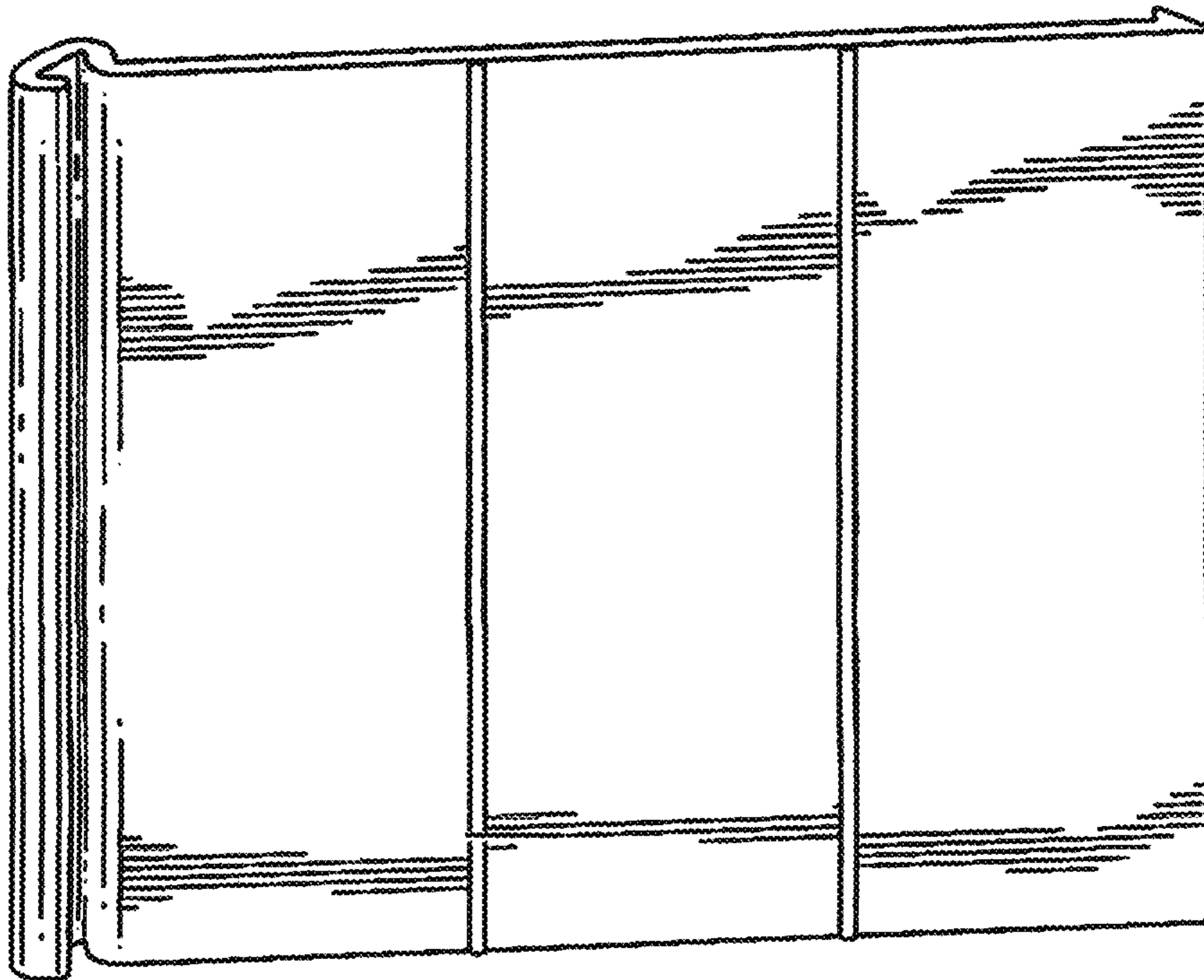


FIG. 13

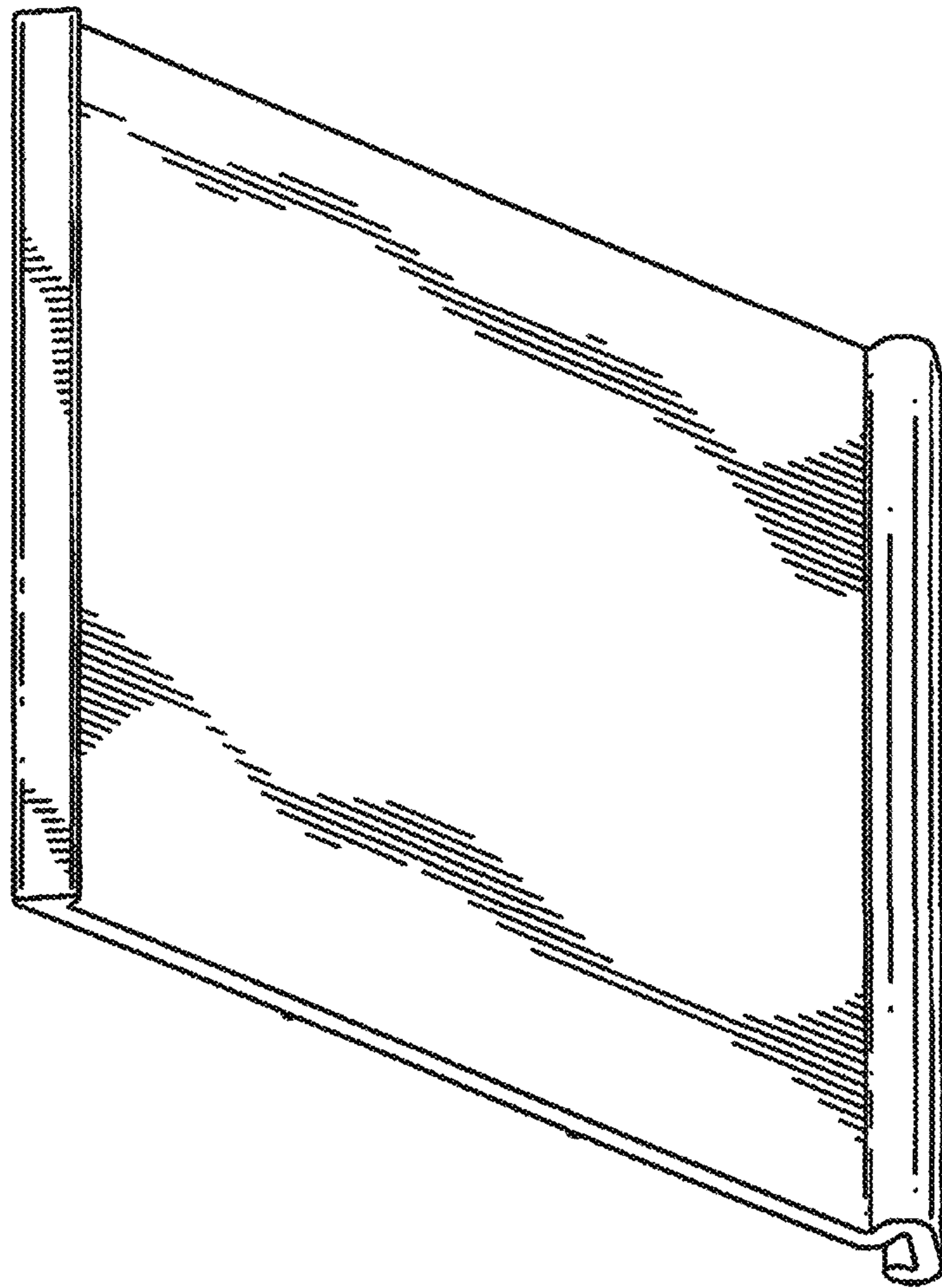


FIG. 14

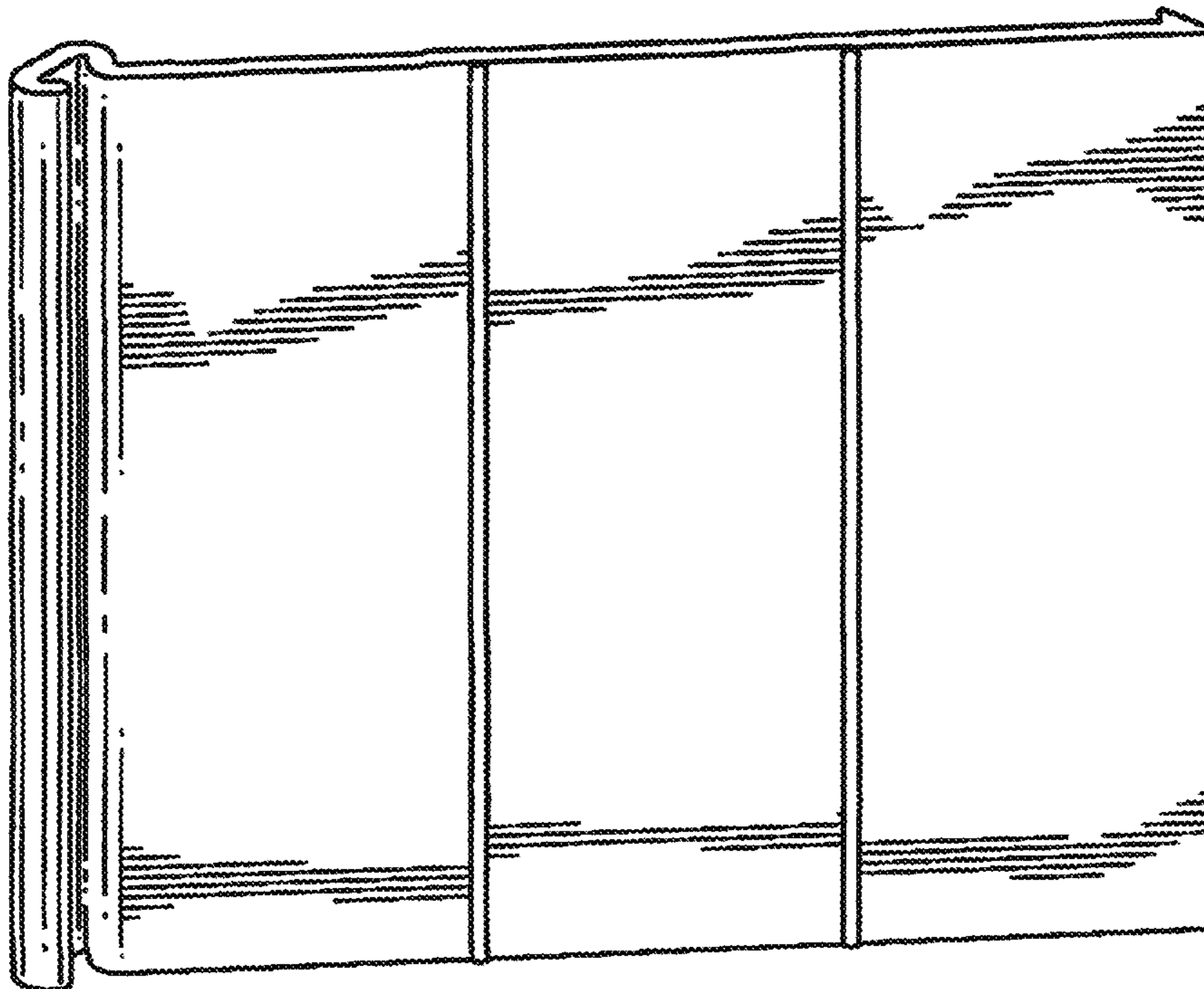




FIG. 15

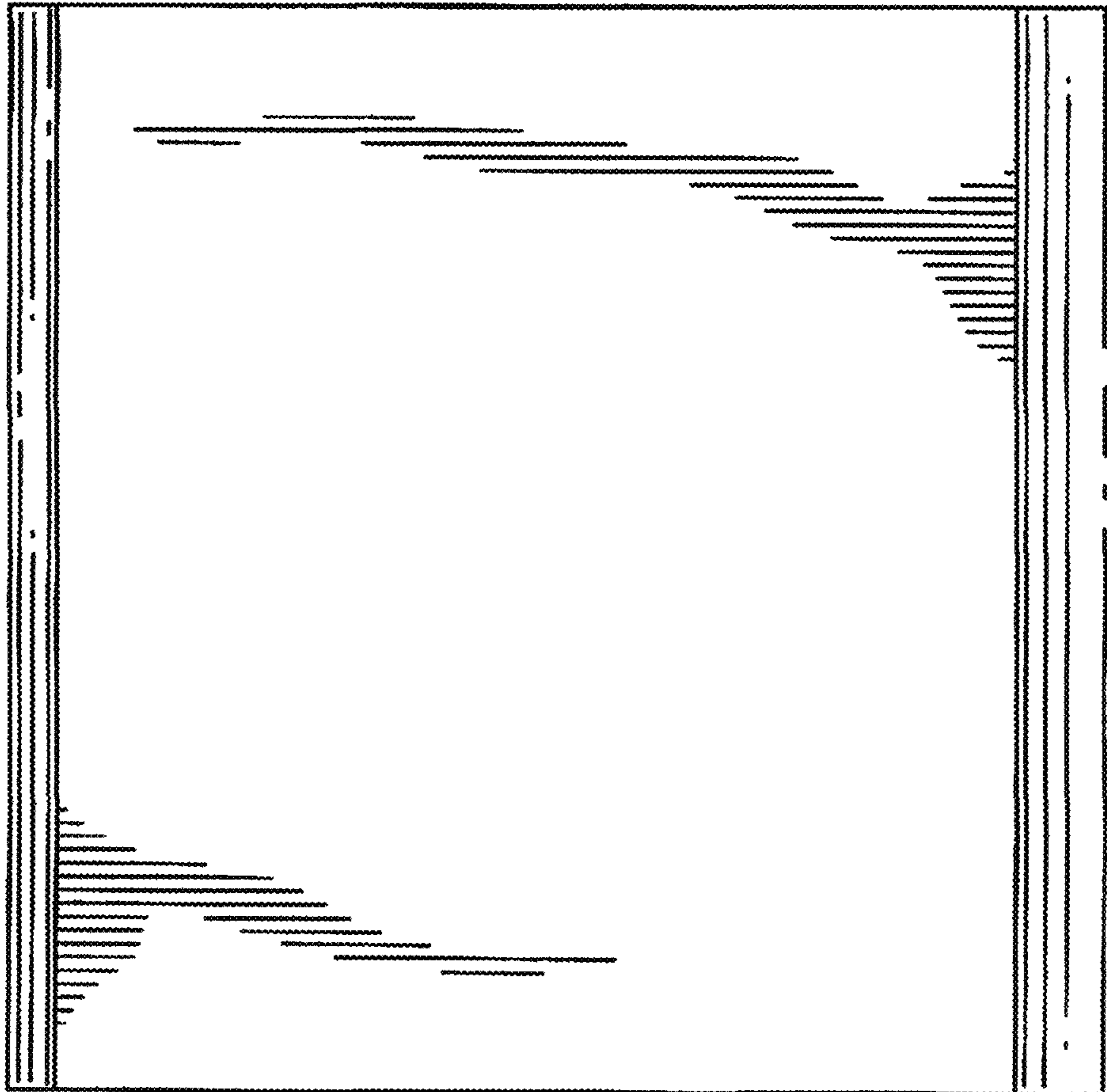


FIG. 16

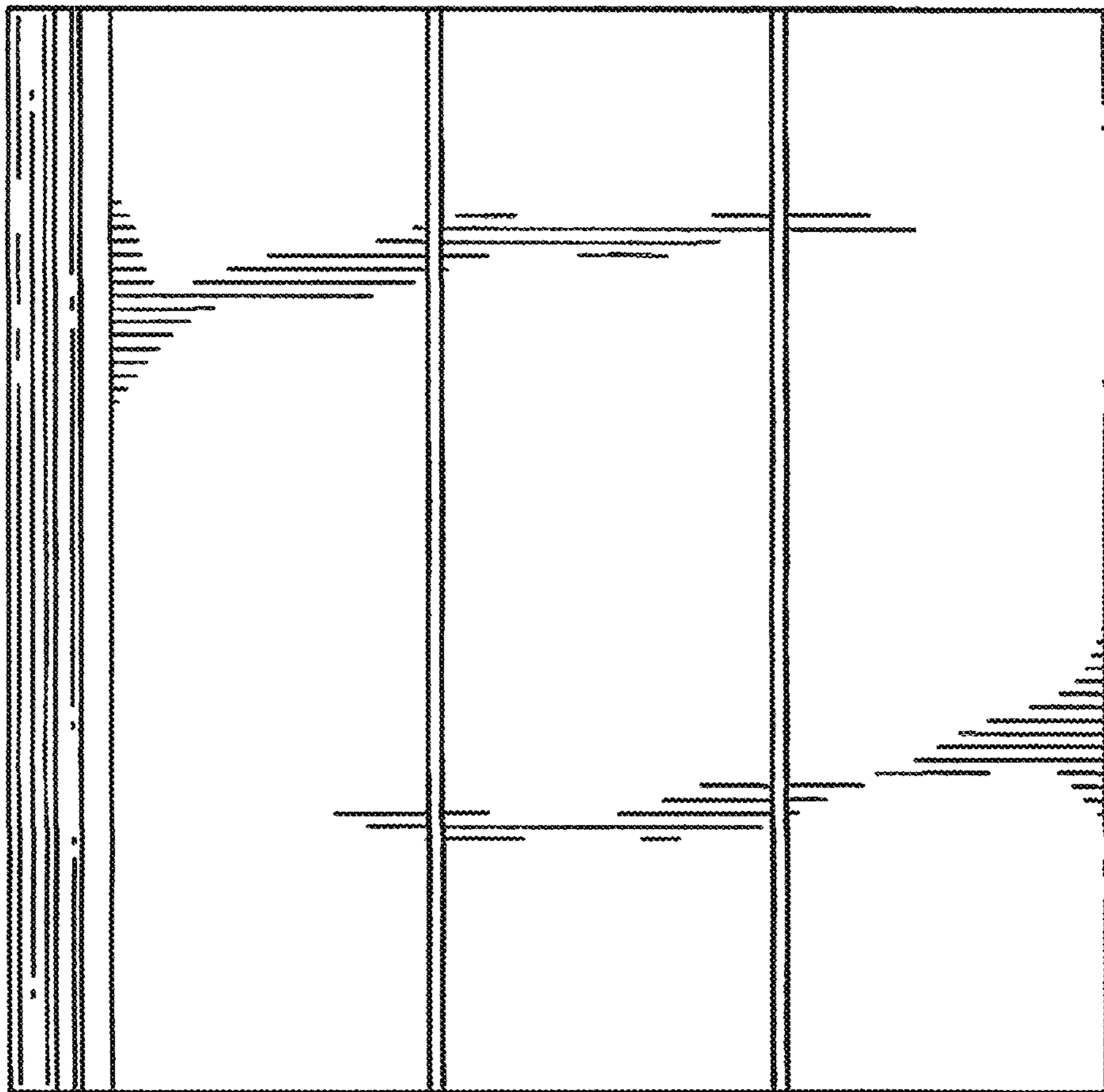


FIG. 17

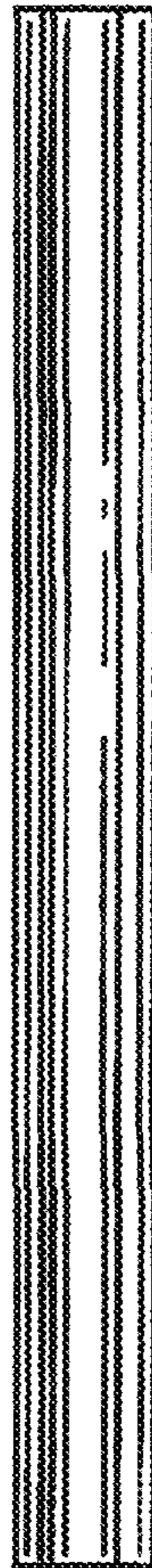


FIG. 18

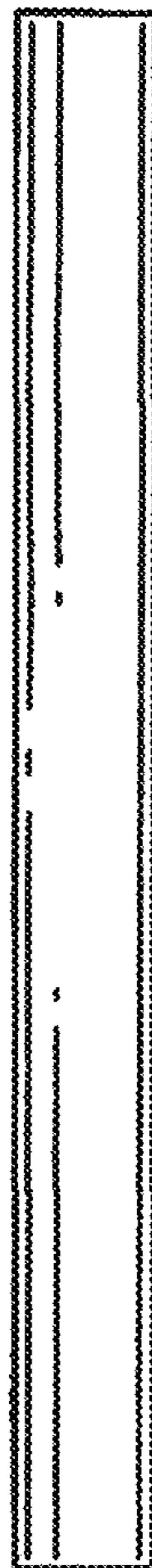


FIG. 19

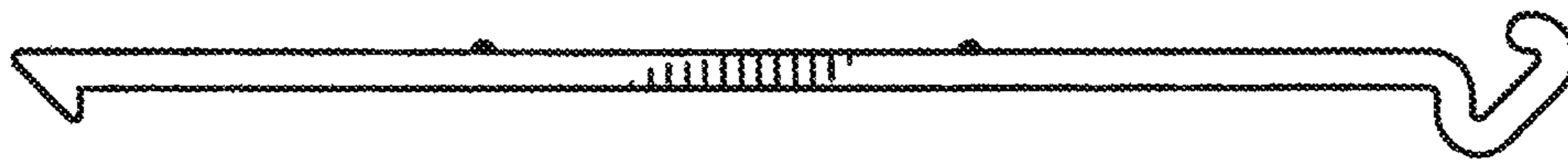


FIG. 20

