



US00D909620S

(12) **United States Design Patent** (10) **Patent No.:** **US D909,620 S**
Ramon (45) **Date of Patent:** **** Feb. 2, 2021**

(54) **COLUMN PROTECTOR**

(71) Applicant: **Xavier Ramon**, Marke (BE)

(72) Inventor: **Xavier Ramon**, Marke (BE)

(**) Term: **15 Years**

(21) Appl. No.: **35/506,170**

(22) Filed: **Oct. 25, 2018**

(80) **Hague Agreement Data**

Int. Filing Date: **Oct. 25, 2018**

Int. Reg. No.: **DM/103814**

Int. Reg. Date: **Oct. 25, 2018**

Int. Reg. Pub. Date: **Nov. 30, 2018**

(30) **Foreign Application Priority Data**

Apr. 25, 2018 (EM) 005248382-0002

(51) **LOC (13) Cl.** **25-01**

(52) **U.S. Cl.**
USPC **D25/126**

(58) **Field of Classification Search**

USPC D25/38.1, 43, 58, 126, 127, 128, 129,
D25/130, 131, 132, 133, 134, 135

CPC E01F 13/028; E04D 13/0335; E04G
21/3233; E04G 21/3238; E04H 12/2269;
E04H 17/08; E04H 17/1413; E04H
17/161; E04H 17/163; E04H 2017/1452;
F24F 13/082; F24F 1/58

See application file for complete search history.

(56) **References Cited**

U.S. PATENT DOCUMENTS

D361,631	S	*	8/1995	King	D25/128
D380,274	S	*	6/1997	Stamets	D25/38.1
D408,560	S	*	4/1999	Bruder	D25/122
D600,831	S	*	9/2009	Munakata	D25/126
D667,964	S	*	9/2012	Chung	256/65.14
D690,030	S	*	9/2013	Mukith	D25/38.1
D695,424	S	*	12/2013	Dionne	D25/126
D710,563	S	*	8/2014	Panzer	D25/126
D745,299	S	*	12/2015	Chang	D25/124
D775,741	S	*	1/2017	Kashiwagi	D25/126
2007/0028532	A1	*	2/2007	Douglas	E04H 12/182 52/118

* cited by examiner

Primary Examiner — Samantha Q Lawrence

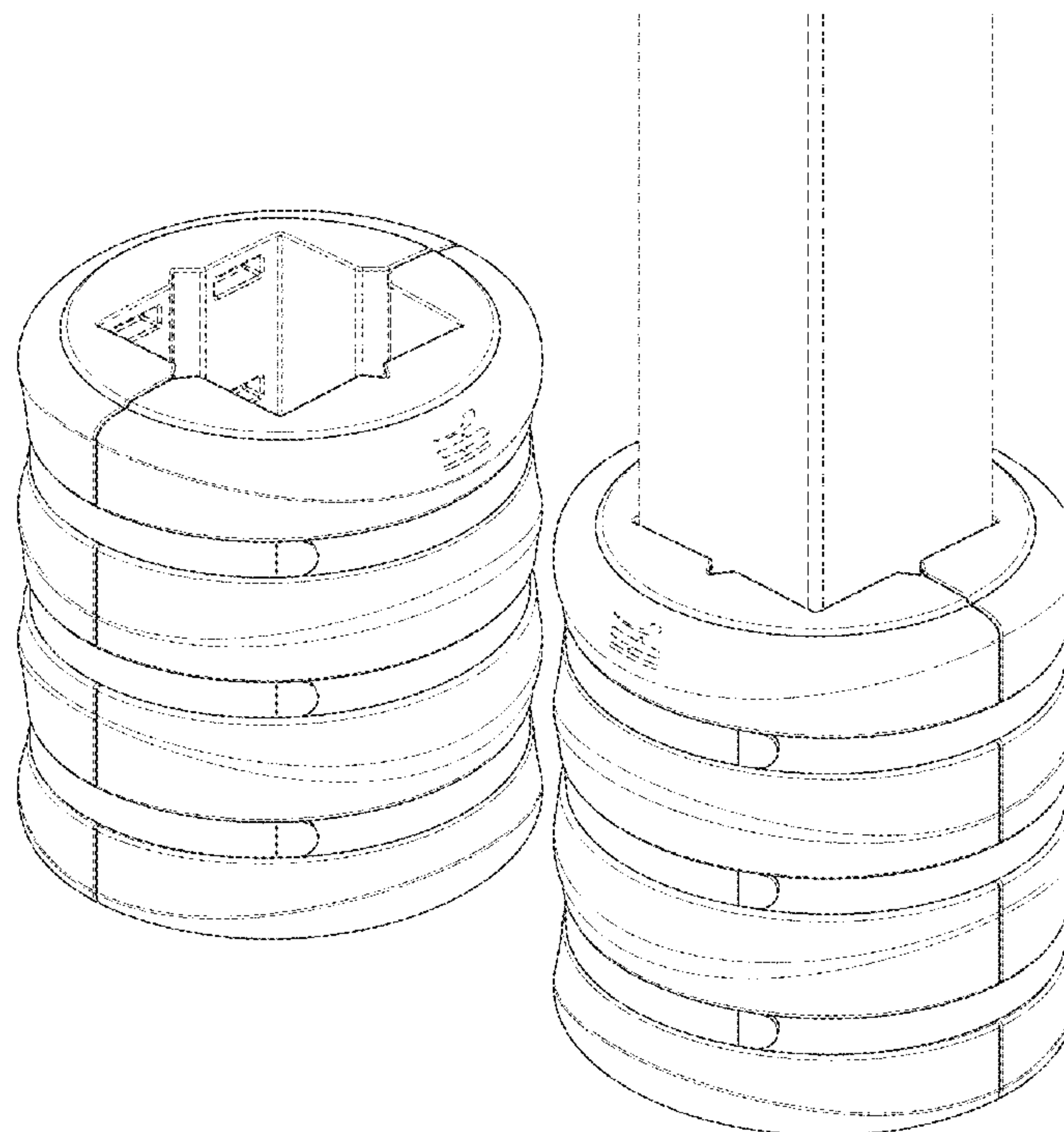
(57) **CLAIM**

The ornamental design for a column protector, as shown and described.

DESCRIPTION

Figure 1.1 is a perspective view of a column protector; Figure 1.2 is a front view thereof; Figure 1.3 is another front view thereof; Figure 1.4 is another perspective view thereof, shown in an unfolded position of use; and Figure 1.5 is another perspective view thereof. The broken lines shown in Figures 1.1-1.5 illustrate portions of the column protector that form no part of the claimed design. The additional broken lines shown in Figures 1.4 and 1.5 that show a broken line column illustrate environment and form no part of the claimed design.

1 Claim, 5 Drawing Sheets



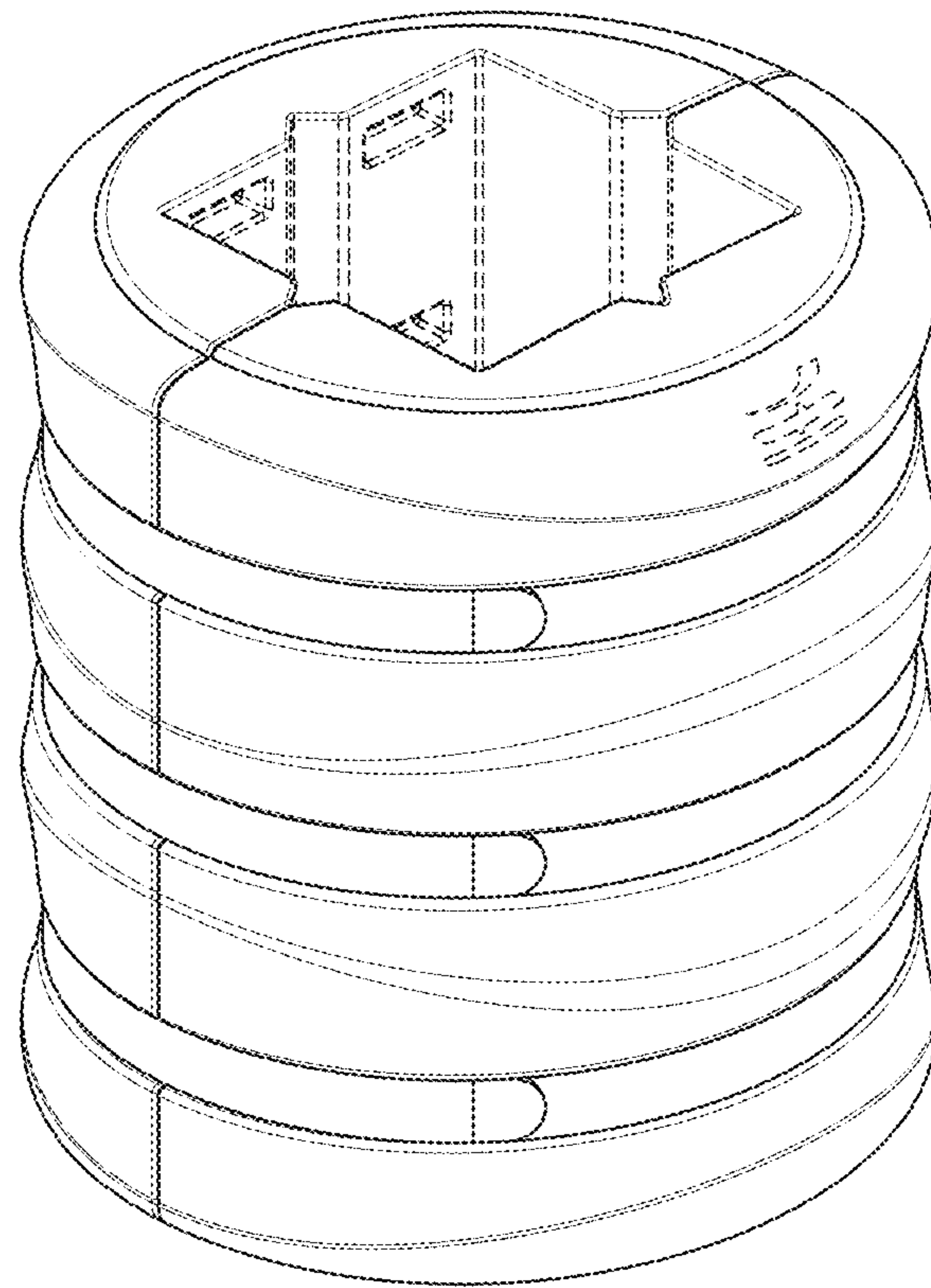


FIG. 1.1

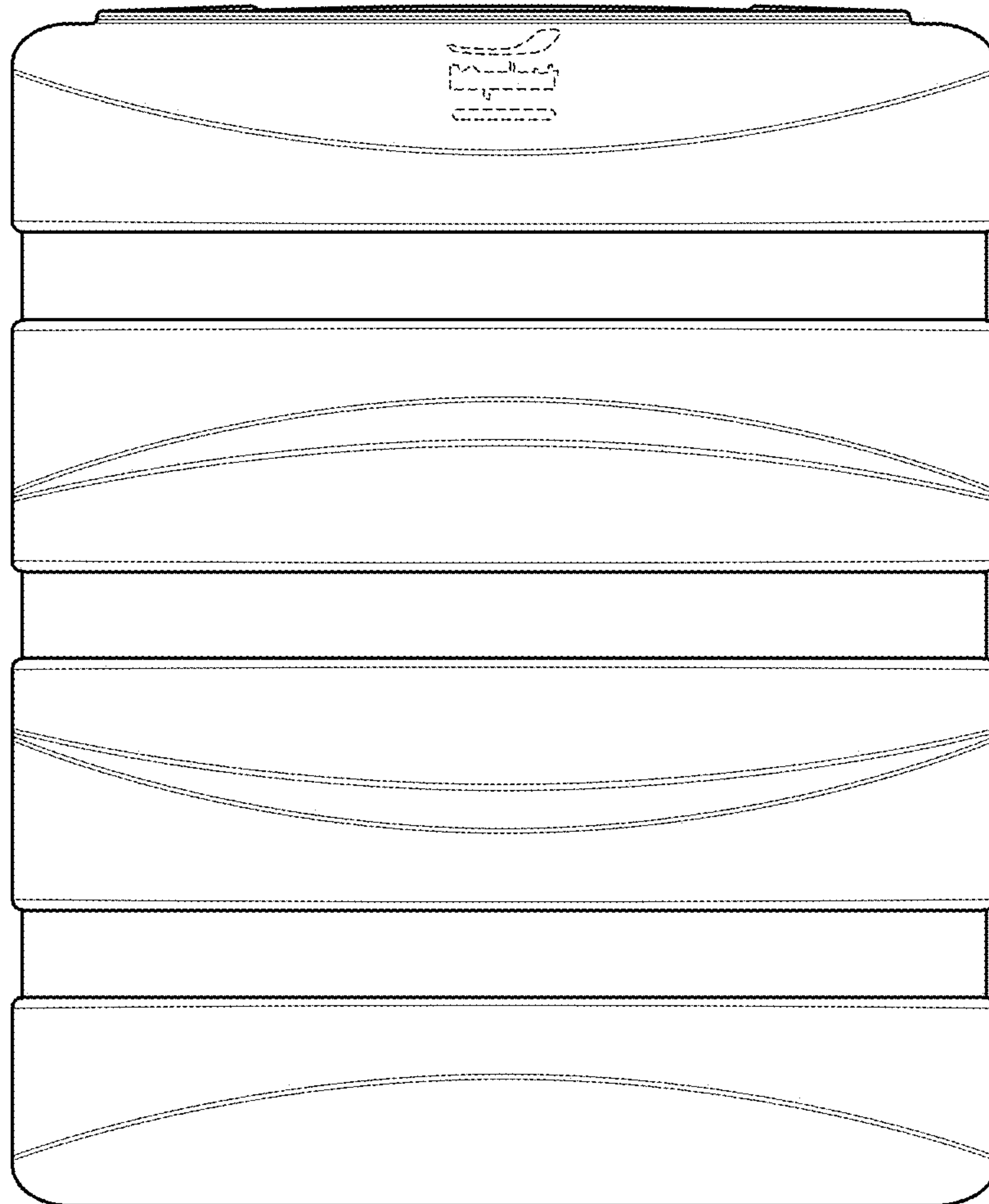


FIG. 1.2

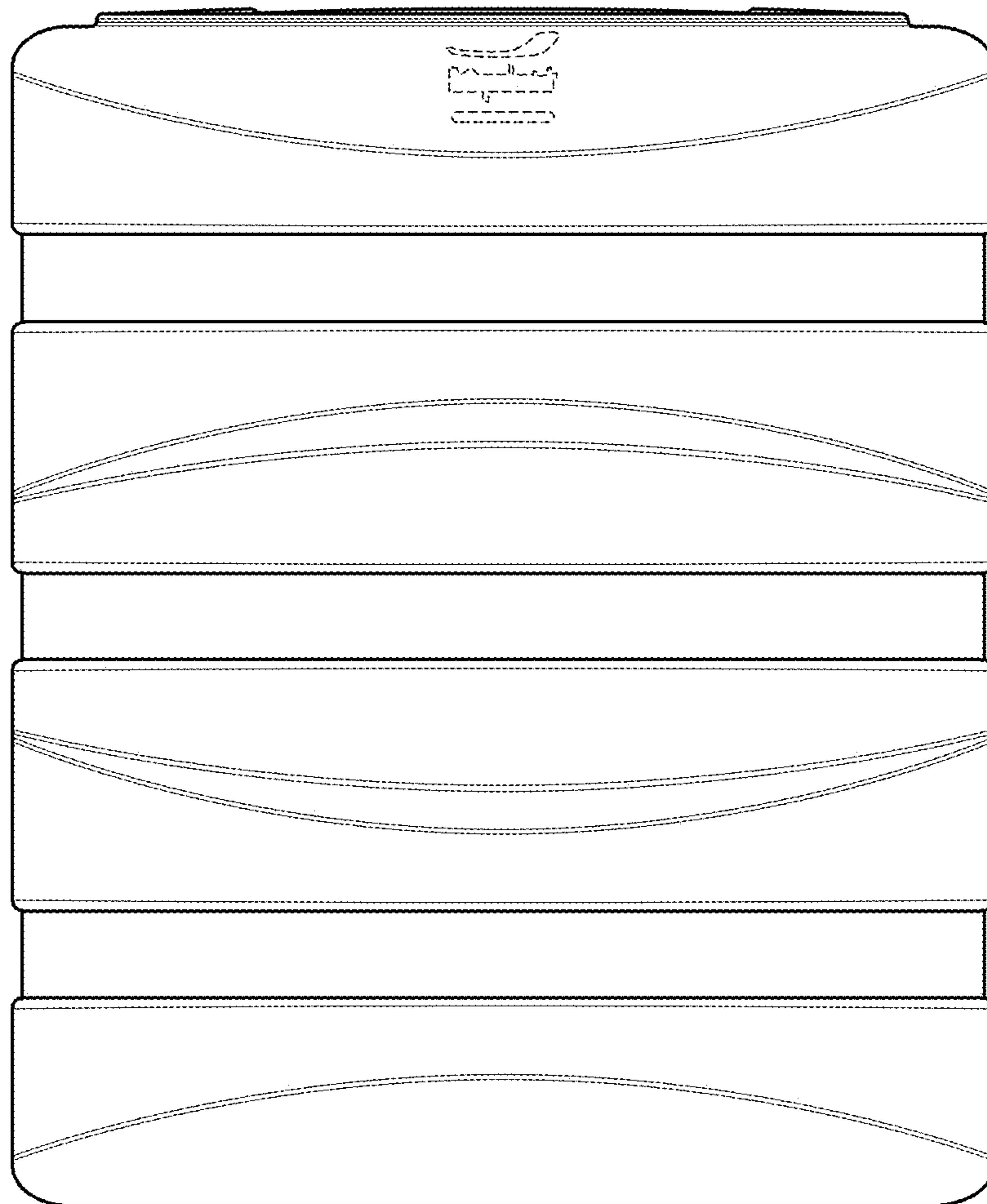


FIG. 1.3

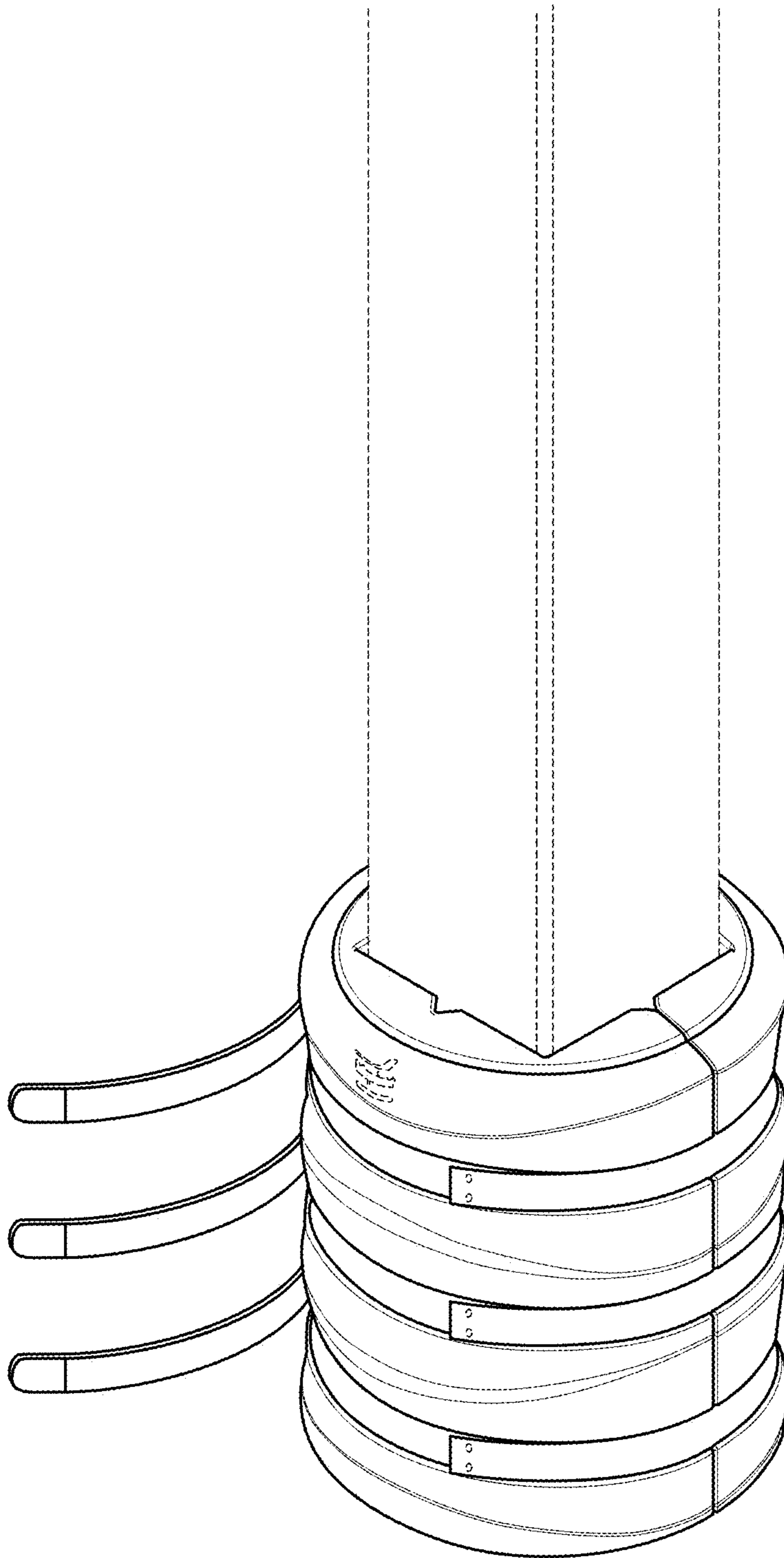


FIG. 1.4

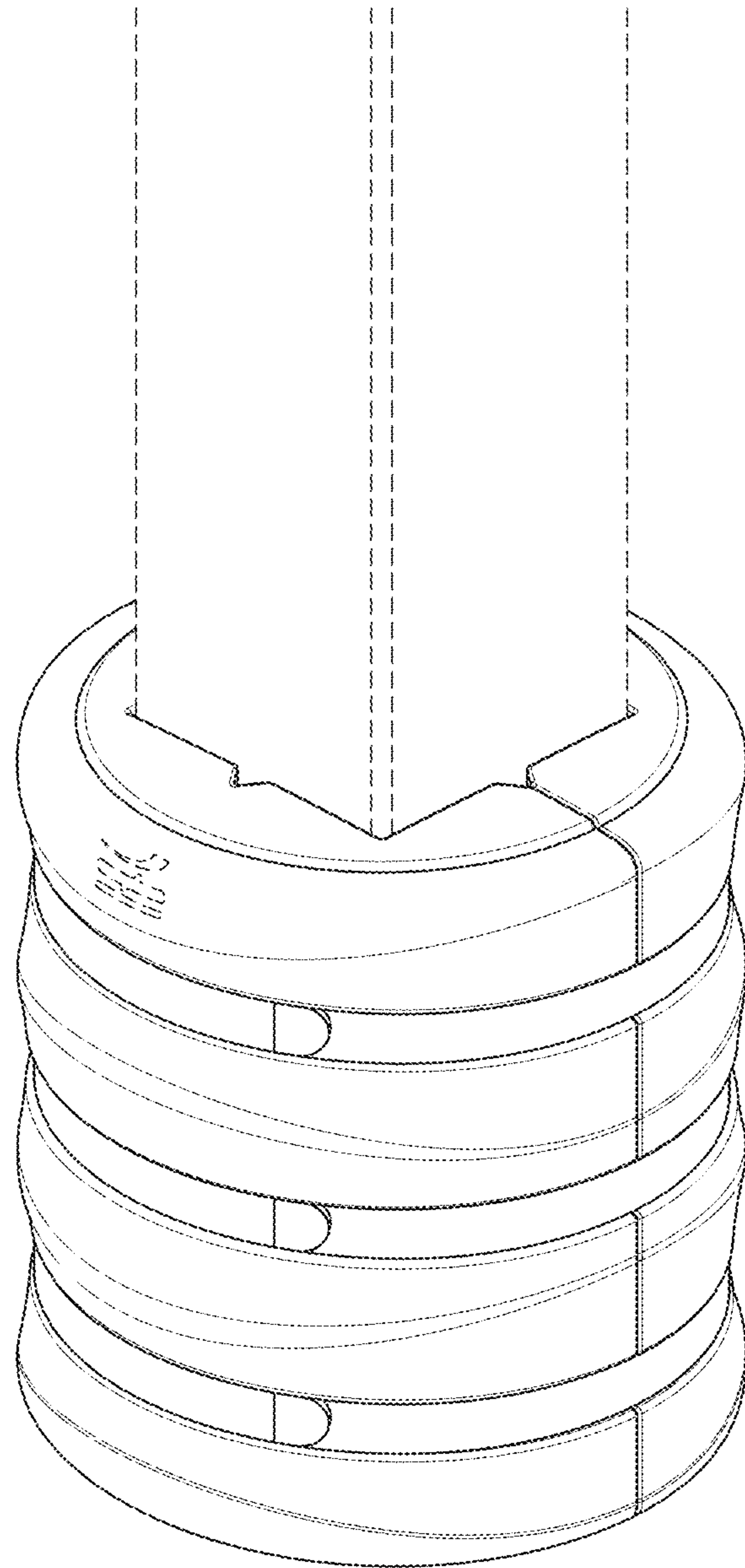


FIG. 1.5