

US00D909619S

(12) **United States Design Patent** (10) **Patent No.:** **US D909,619 S**
Brinkman et al. (45) **Date of Patent:** **** Feb. 2, 2021**

(54) **CORNER POST FOR A SUSPENDED CEILING SYSTEM**

FOREIGN PATENT DOCUMENTS

JP D1596475 * 2/2018

(71) Applicant: **Fry Reglet Corporation**, Santa Fe Springs, CA (US)

OTHER PUBLICATIONS

(72) Inventors: **Mark E. Brinkman**, Cumming, GA (US); **Robert Stuart**, Rome, GA (US)

<https://www.armstrongceilings.com/commercial/en-us/suspension-systems/axiom-classic-trim.html#video=5112116128001>; Jul. 2, 2017.

(73) Assignee: **FRY REGLET CORPORATION**, Santa Fe Springs, CA (US)

Primary Examiner — Leanne Was-Englehart

(74) *Attorney, Agent, or Firm* — Kilpatrick Townsend & Stockton LLP

(**) Term: **15 Years**

(57) **CLAIM**

The ornamental design for a corner post for a suspended ceiling system, as shown and described.

(21) Appl. No.: **29/692,850**

DESCRIPTION

(22) Filed: **May 29, 2019**

(51) **LOC (13) Cl.** **25-01**

(52) **U.S. Cl.**

USPC **D25/126**

(58) **Field of Classification Search**

USPC D8/354, 400, 402, 403, 499; D25/55, 58, D25/61, 102, 121, 126, 133, 136, 138, D25/199

CPC E04F 19/02; E04F 19/028; E04F 19/0481; E04B 2/7401; E04B 2/768; E04B 2/7881; E04C 3/29

See application file for complete search history.

FIG. 1 is an isometric view of a corner post for a suspended ceiling system.

FIG. 2 is a side view of the corner post for a suspended ceiling system of FIG. 1.

FIG. 3 is another side view of the corner post for a suspended ceiling system of FIG. 1.

FIG. 4 is another side view of the corner post for a suspended ceiling system of FIG. 1.

FIG. 5 is another side view of the corner post for a suspended ceiling system of FIG. 1.

FIG. 6 is a top view of the corner post for a suspended ceiling system of FIG. 1.

FIG. 7 is a bottom view of the corner post for a suspended ceiling system of FIG. 1; and,

FIG. 8 is an isometric view of the corner post for a suspended ceiling system of FIG. 1 incorporated into a taller component.

The dash-dash broken lines in the drawings depict unclaimed portions of the corner post for a suspended ceiling system and form no part of the claimed design. The dash-dot-dash broken lines in the drawings depict unclaimed boundaries that form no part of the claimed design.

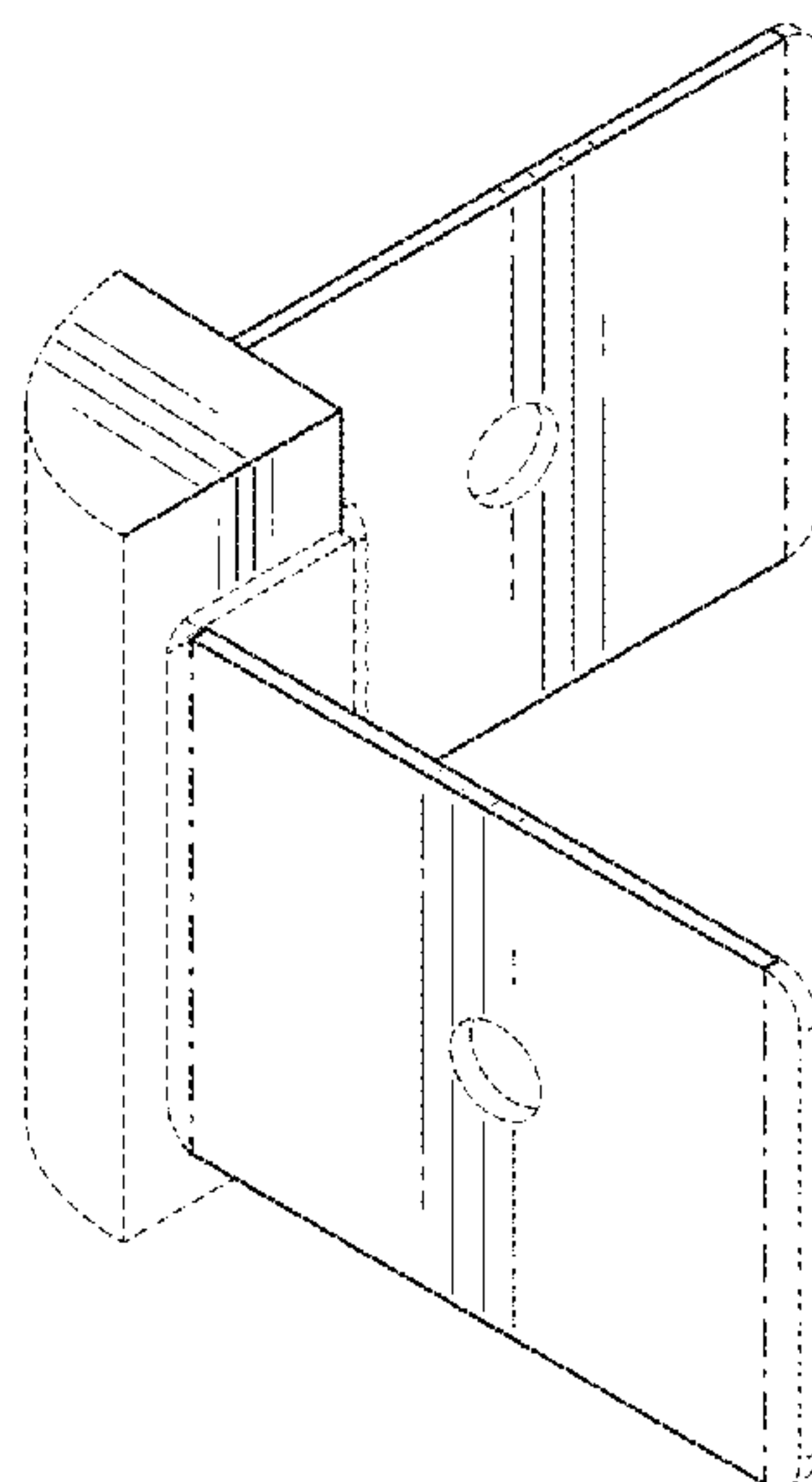
(56) **References Cited**

U.S. PATENT DOCUMENTS

4,524,555 A * 6/1985 Pantalone E04C 3/32
248/351
D336,341 S * 6/1993 Van Steenlandt D25/113
D351,988 S * 11/1994 Gotcher D8/400
6,145,259 A 11/2000 Koenig, Jr. et al.
6,234,233 B1 5/2001 Biro
6,341,458 B1 * 1/2002 Burt E04F 13/0864
52/287.1
D455,219 S * 4/2002 Ohanesian D25/124

(Continued)

1 Claim, 8 Drawing Sheets



(56)

References Cited

U.S. PATENT DOCUMENTS

| | | | | | | | | | |
|--------------|---------|---------------------|-------|---------|-----------------|---------|---------------|-------|------------|
| D484,029 S * | 12/2003 | Bainbridge | | D8/380 | D731,881 S * | 6/2015 | Roberts | | D8/382 |
| D525,372 S * | 7/2006 | Levi-Senigaglia | | D25/121 | D750,279 S * | 2/2016 | Singh | | D25/138 |
| D538,444 S | 3/2007 | Gardner | | | D806,901 S * | 1/2018 | Singh | | E04B 1/64 |
| 7,210,272 B2 | 5/2007 | Friday | | | | | | | D25/119 |
| D573,726 S * | 7/2008 | Coates | | D25/102 | 9,970,201 B2 | 5/2018 | Morozov | | |
| D579,321 S * | 10/2008 | Townley | | D8/354 | D821,610 S * | 6/2018 | Jackson | | D25/119 |
| D583,488 S | 12/2008 | Muehlebach | | | D829,348 S * | 9/2018 | Hynek | | D25/119 |
| D590,697 S * | 4/2009 | Townley | | D8/354 | 10,081,941 B2 * | 9/2018 | Timko | | E04B 2/768 |
| D599,916 S * | 9/2009 | Polston | | D25/136 | D831,855 S * | 10/2018 | Hynek | | D25/119 |
| D606,671 S * | 12/2009 | Southwell | | D25/122 | 10,202,769 B2 * | 2/2019 | Gya | | H02G 3/263 |
| 7,793,469 B2 | 9/2010 | Murphy, Jr. et al. | | | D847,380 S * | 4/2019 | Singh | | D25/119 |
| D653,939 S * | 2/2012 | Roberts | | D8/382 | D849,270 S * | 5/2019 | Singh | | D25/119 |
| 8,122,658 B2 | 2/2012 | Sondermann | | | D856,781 S * | 8/2019 | Hendry | | D8/354 |
| D672,056 S * | 12/2012 | Cetindag | | D25/61 | 2003/0010174 A1 | 1/2003 | Biro | | |
| D673,029 S * | 12/2012 | Apesteguia Martinez | | D8/349 | 2006/0070329 A1 | 4/2006 | Schiltz | | |
| D673,300 S | 12/2012 | Ifko | | | 2006/0277853 A1 | 12/2006 | Dillon | | |
| 8,572,915 B2 | 11/2013 | Meahl | | | 2007/0094996 A1 | 5/2007 | Young | | |
| D717,158 S * | 11/2014 | Roberts | | D8/382 | 2007/0125020 A1 | 6/2007 | Young | | |
| | | | | | 2015/0040492 A1 | 2/2015 | Rafter | | |
| | | | | | 2016/0245014 A1 | 8/2016 | Rafter | | |
| | | | | | 2018/0128039 A1 | 5/2018 | Rafter et al. | | |

* cited by examiner

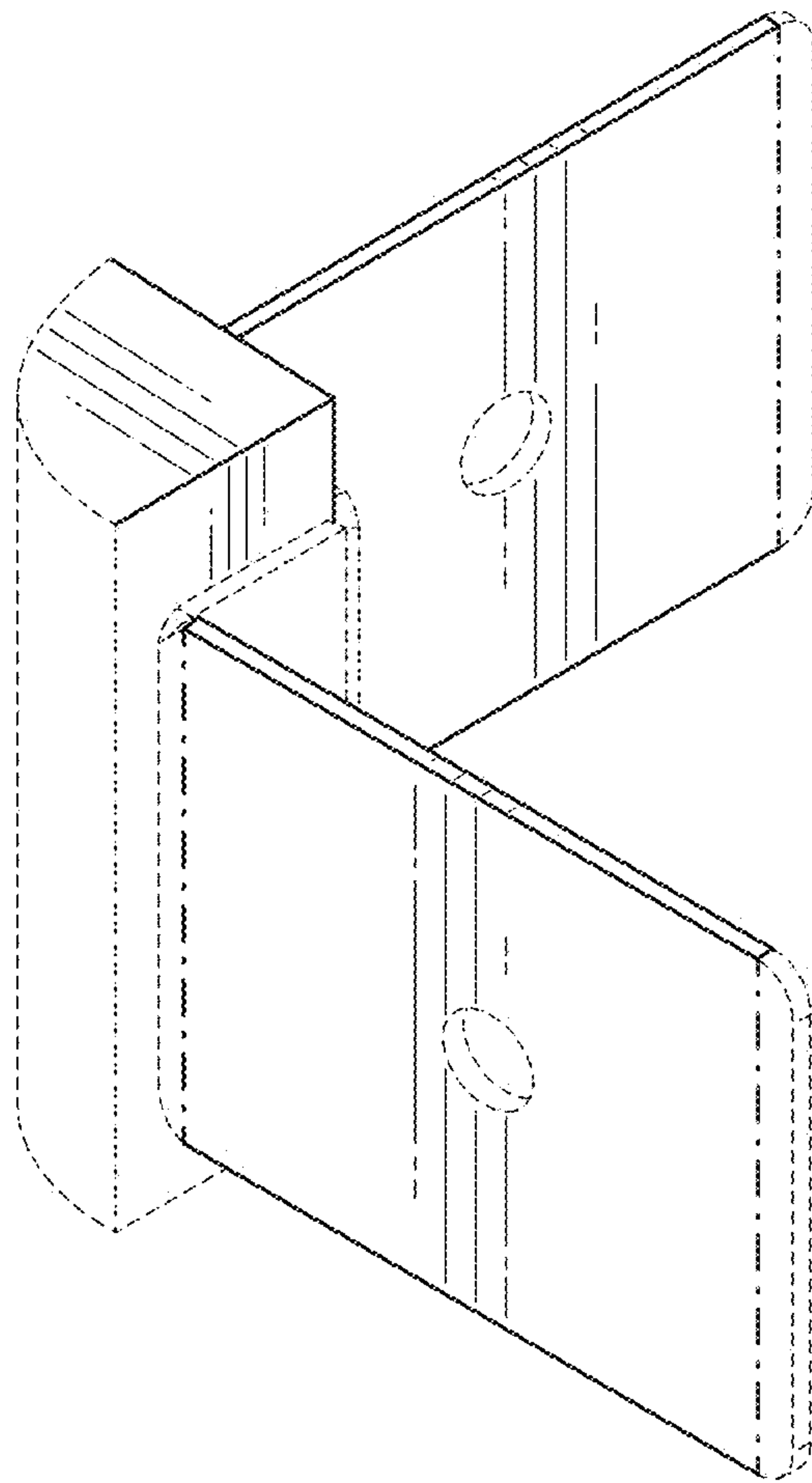


FIG. 1

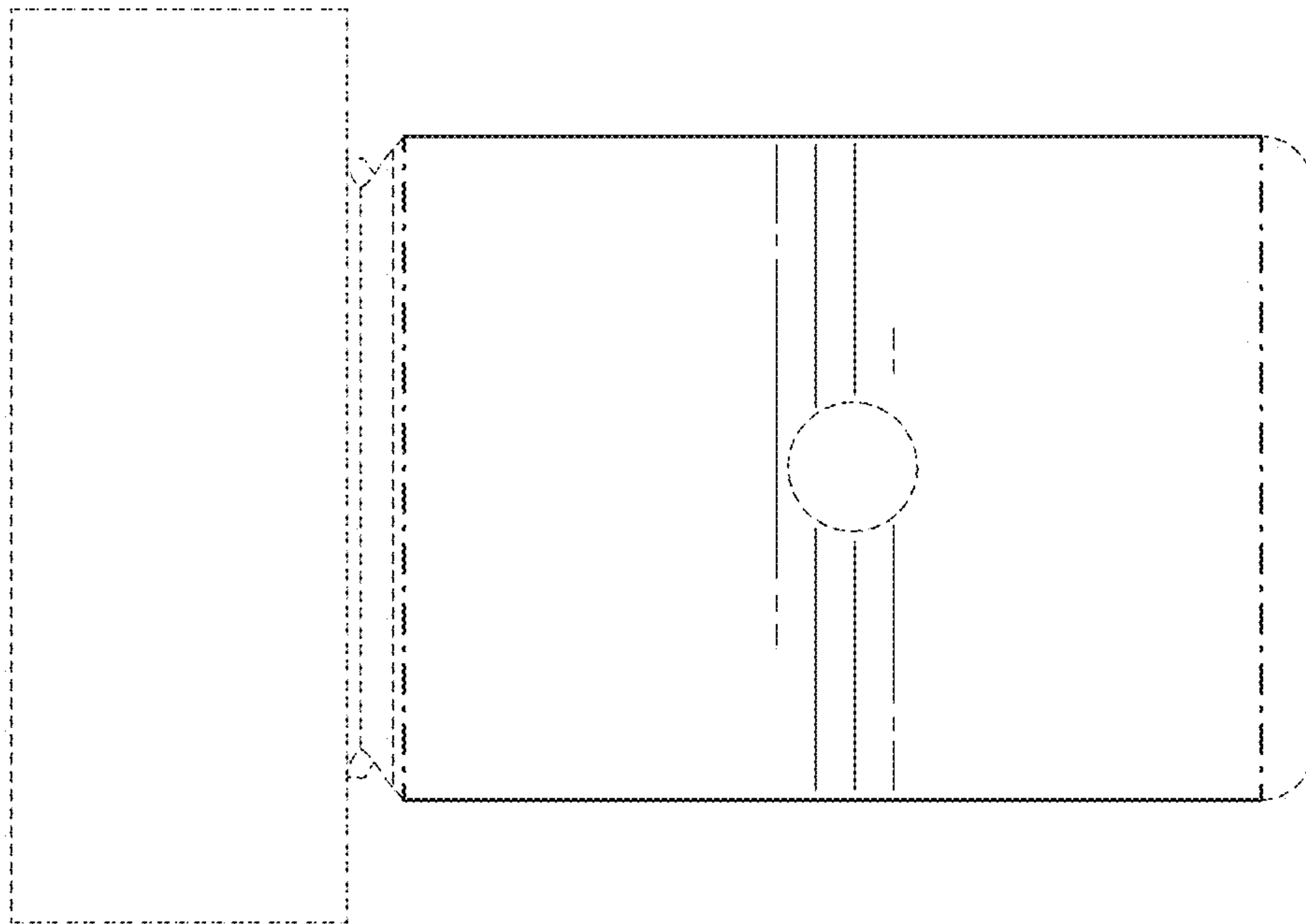


FIG. 2

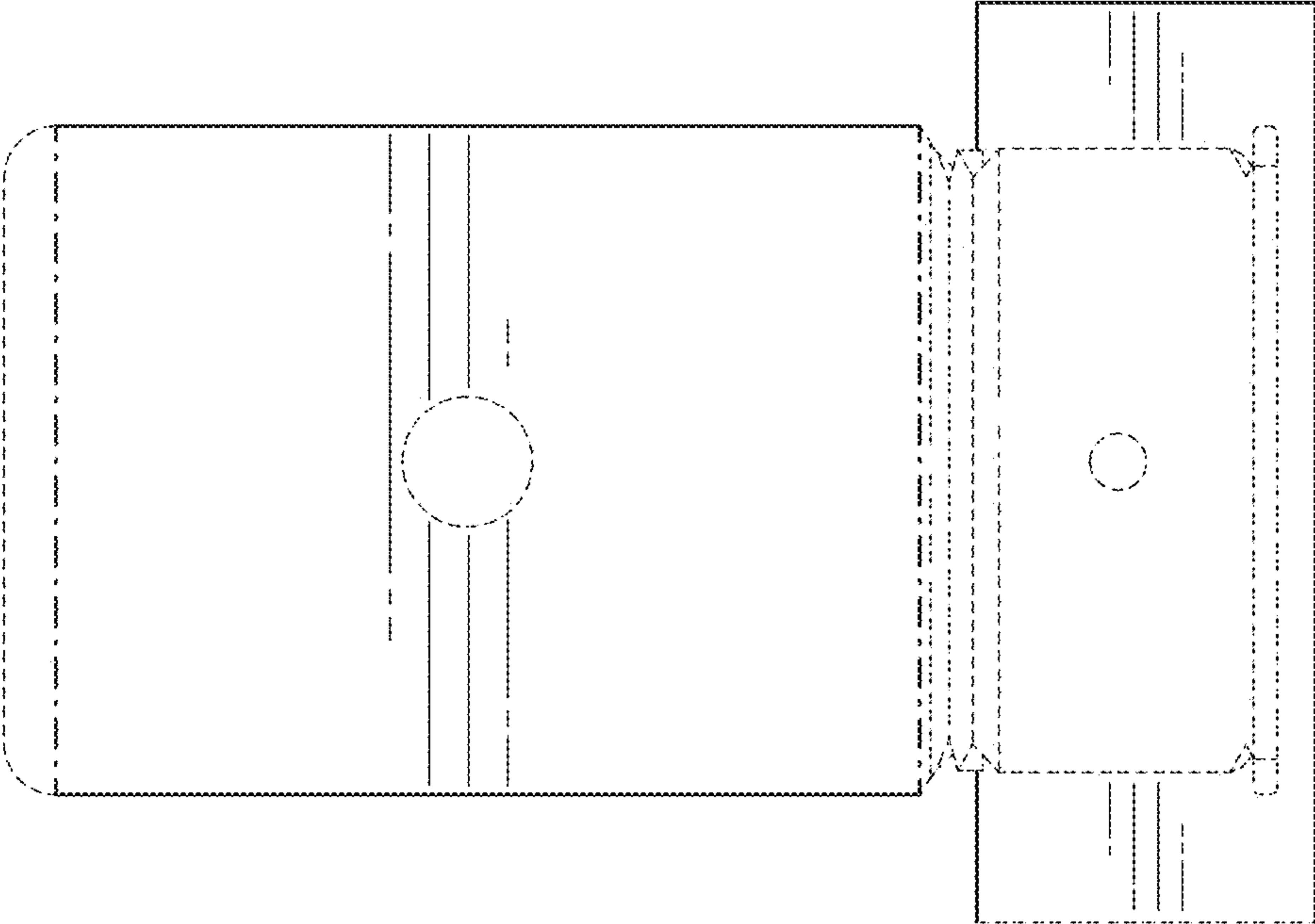


FIG. 3

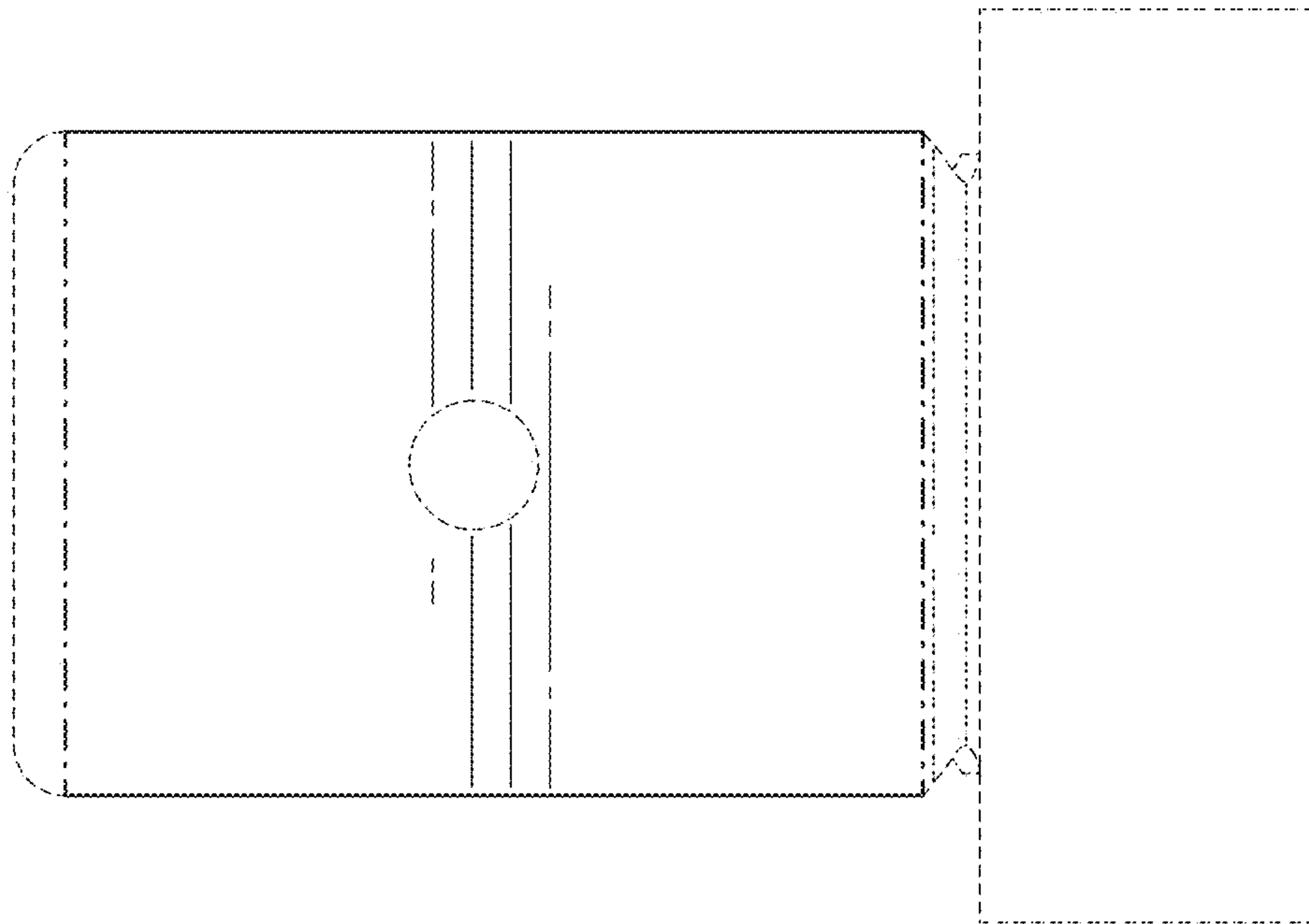


FIG. 4

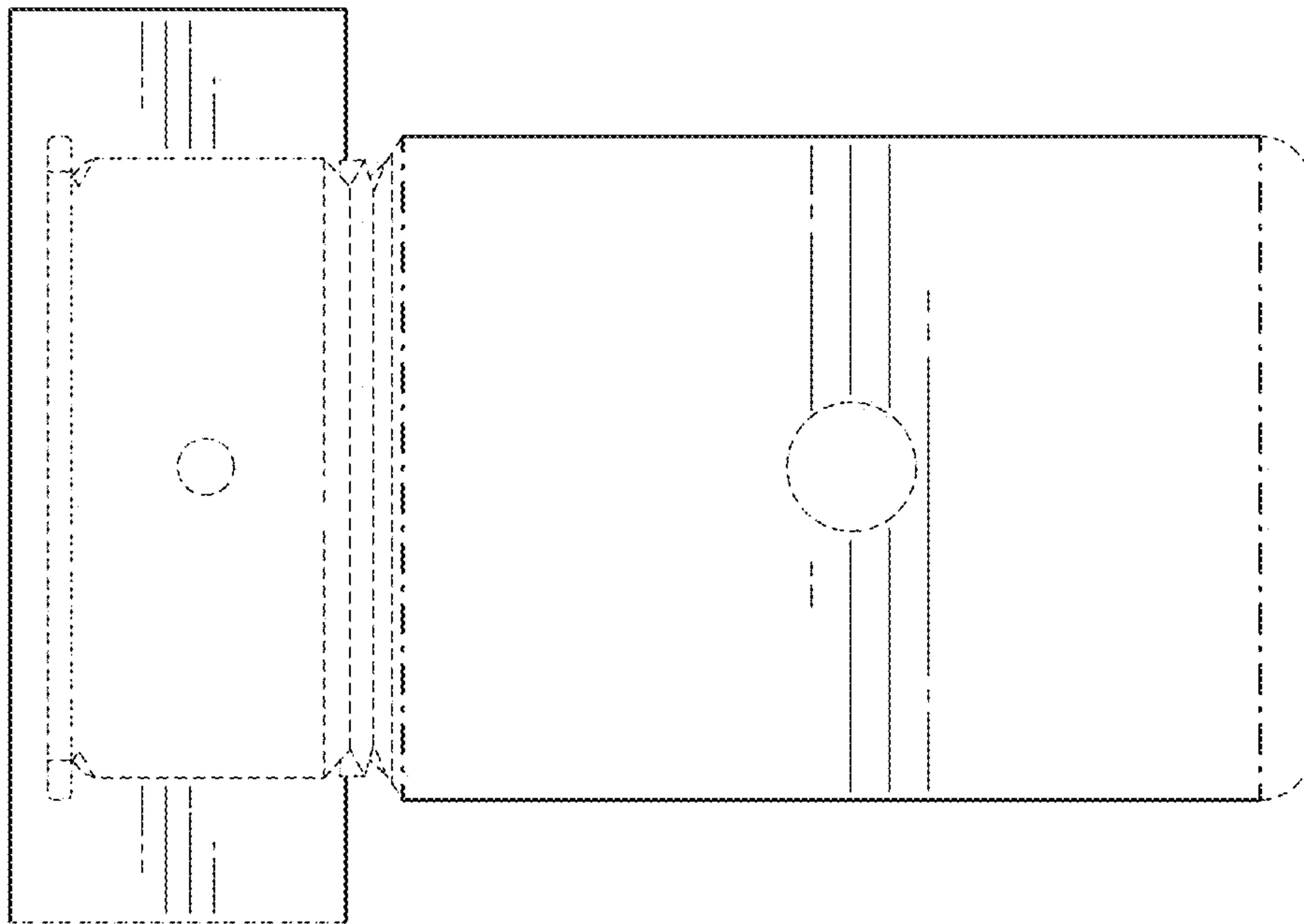


FIG. 5

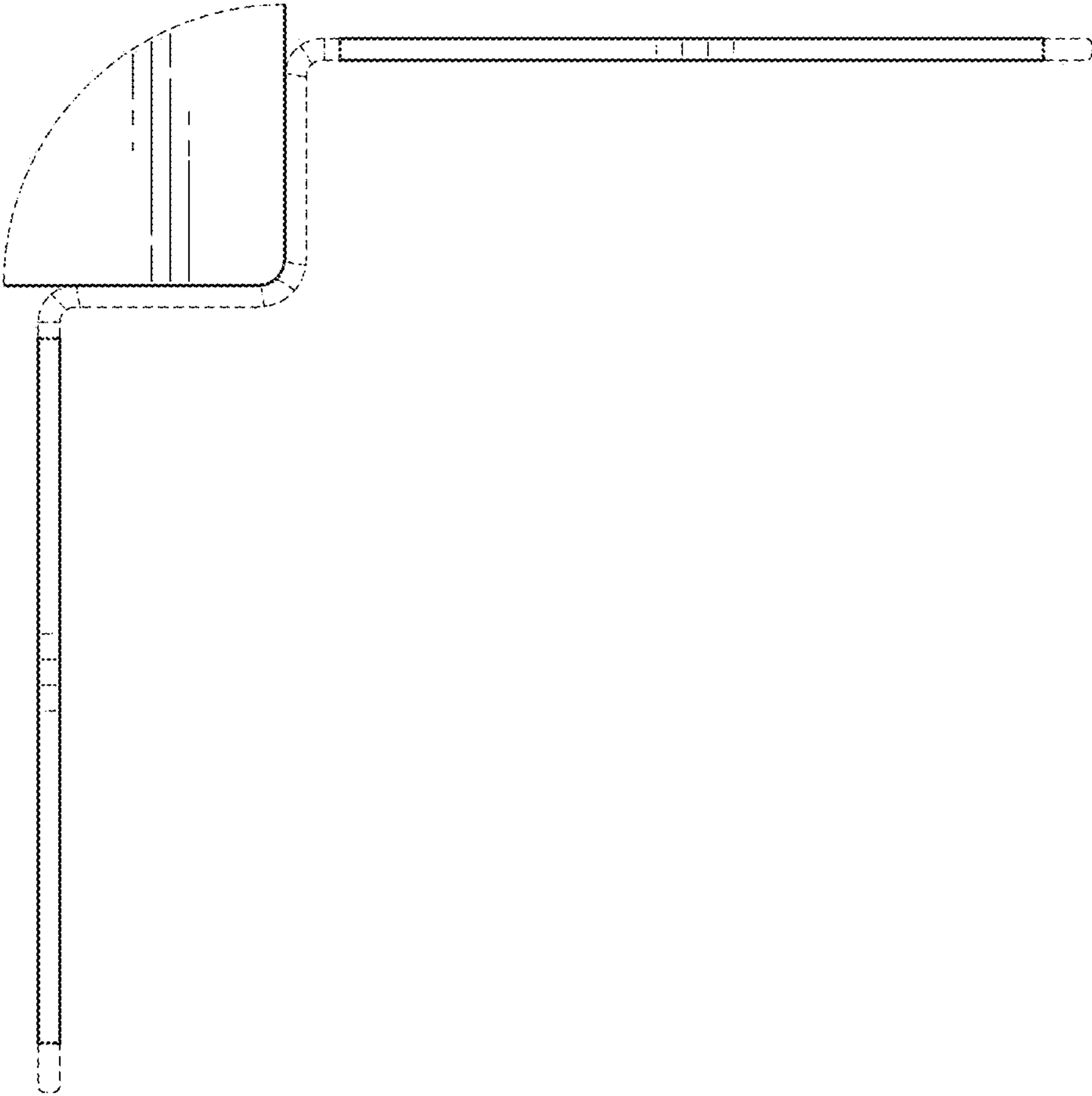


FIG. 6

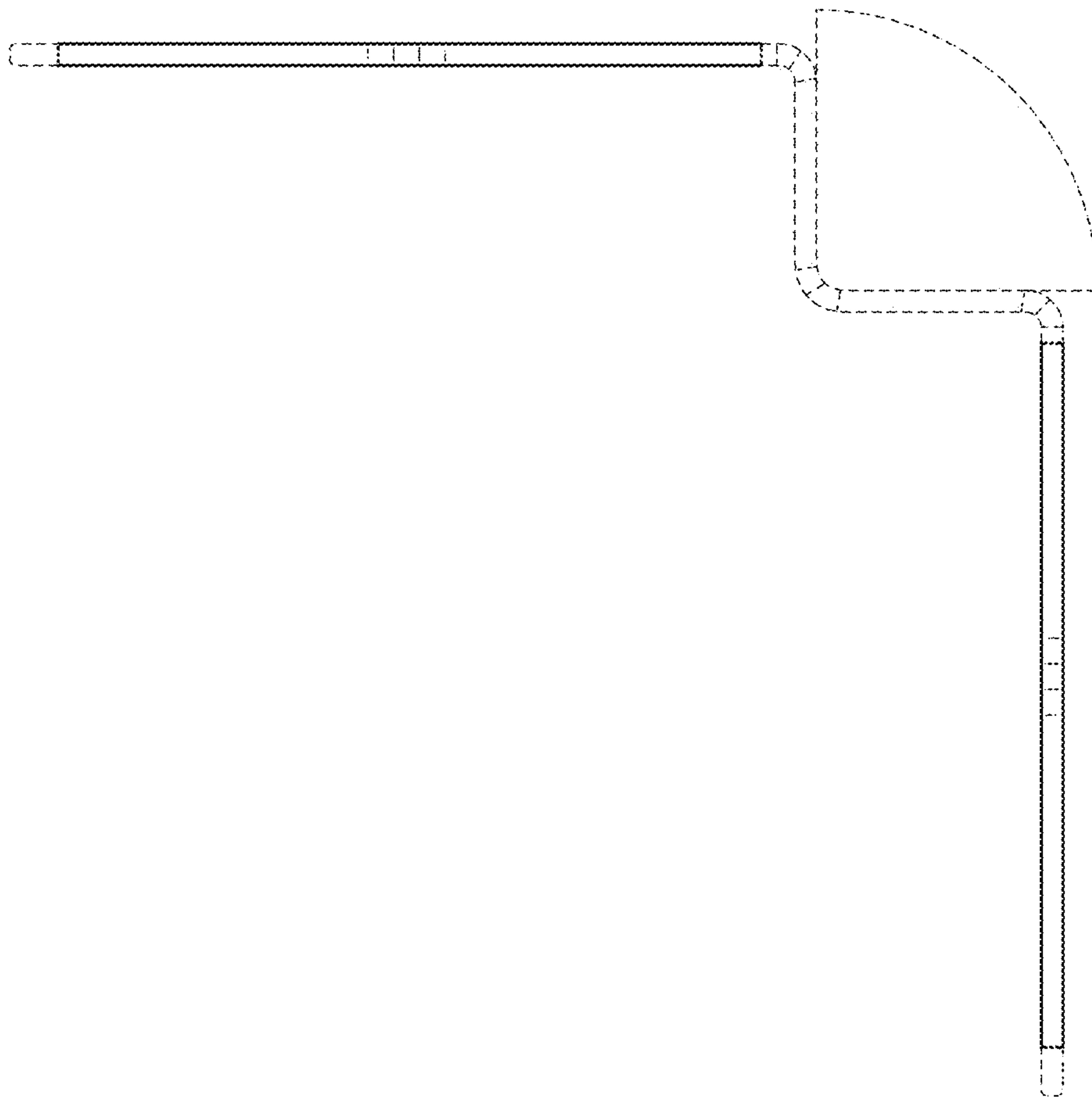


FIG. 7

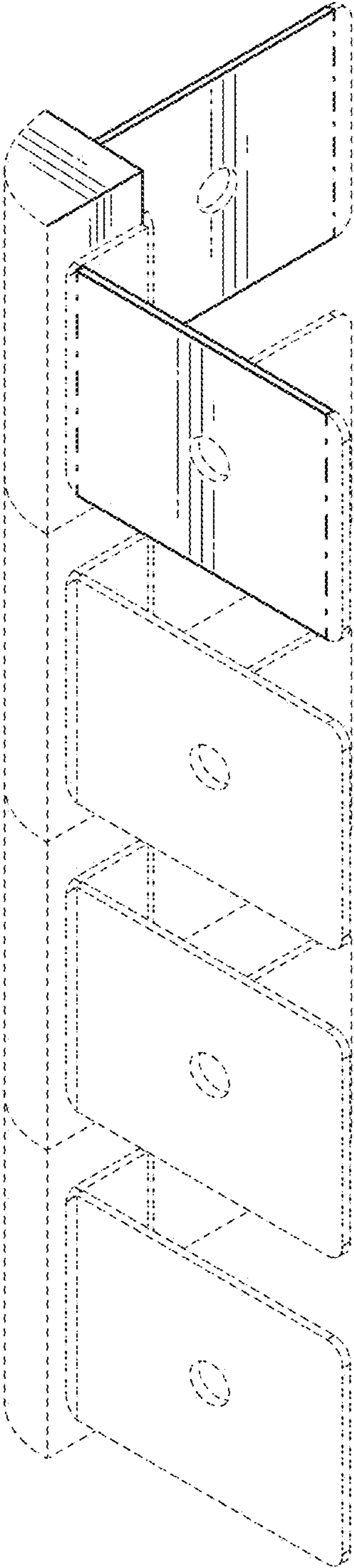


FIG. 8