

US00D909616S

(12) **United States Design Patent** (10) **Patent No.:** **US D909,616 S**
Peres (45) **Date of Patent:** **** Feb. 2, 2021**

(54) **AUTOMATIC GATE CONTROL**

FOREIGN PATENT DOCUMENTS

(71) Applicant: **Flavio Aparecido Peres**, Willians (BR)

BR 302019002557-0001 * 11/2019

(72) Inventor: **Flavio Aparecido Peres**, Willians (BR)

* cited by examiner

(**) Term: **15 Years**

Primary Examiner — Leanne Was-Englehart

(21) Appl. No.: **29/699,457**

(74) *Attorney, Agent, or Firm* — McKee, Voorhees & Sease, PLC

(22) Filed: **Jul. 25, 2019**

(51) **LOC (13) Cl.** **15-99**

(52) **U.S. Cl.**

USPC **D25/48.5**

(58) **Field of Classification Search**

USPC D15/148; D25/48.1, 48.5, 48.6

CPC E01F 13/06; G07F 17/145

See application file for complete search history.

(57) **CLAIM**

I claim the ornamental design for an automatic gate control, substantially as shown.

DESCRIPTION

(56) **References Cited**

U.S. PATENT DOCUMENTS

D522,547 S *	6/2006	Beadle	D15/143
D794,831 S *	8/2017	Kelley	D25/48.5
D797,313 S *	9/2017	Kelley	D25/48.5
D816,137 S *	4/2018	Chiaravalloti	D15/148
D839,329 S *	1/2019	Luck	D15/148
D865,016 S *	10/2019	Jorgensen	D15/148

FIG. 1—Front top perspective view of the automatic gate control

FIG. 2—Bottom perspective view thereof

FIG. 3—Left side elevation view thereof

FIG. 4—Right side elevation view thereof

FIG. 5—Right end elevation view thereof

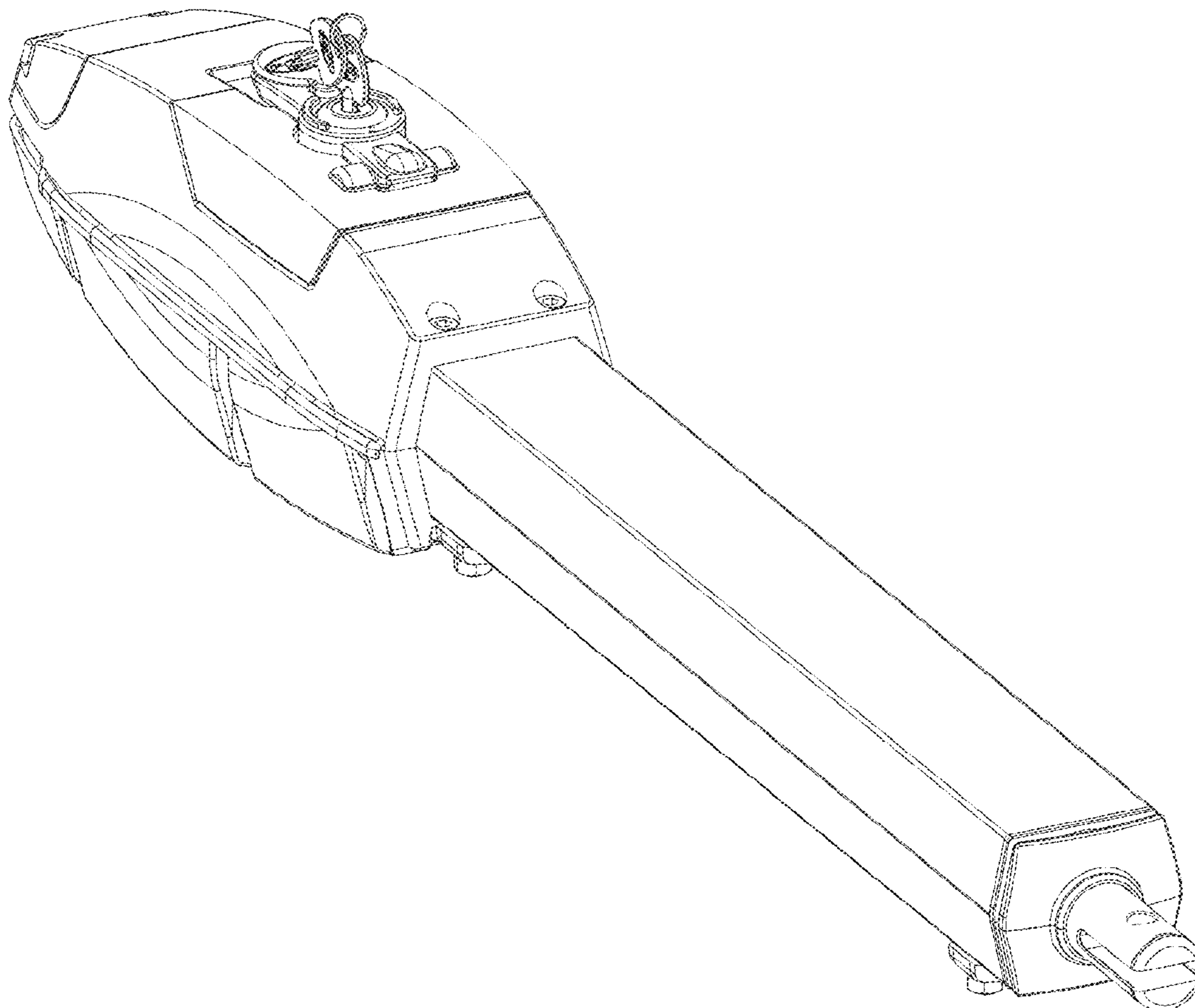
FIG. 6—Left end elevation view thereof

FIG. 7—Top plan view thereof; and,

FIG. 8—Bottom plan view thereof.

The broken lines depict portions of the automatic gate control that form no part of the claimed design.

1 Claim, 8 Drawing Sheets



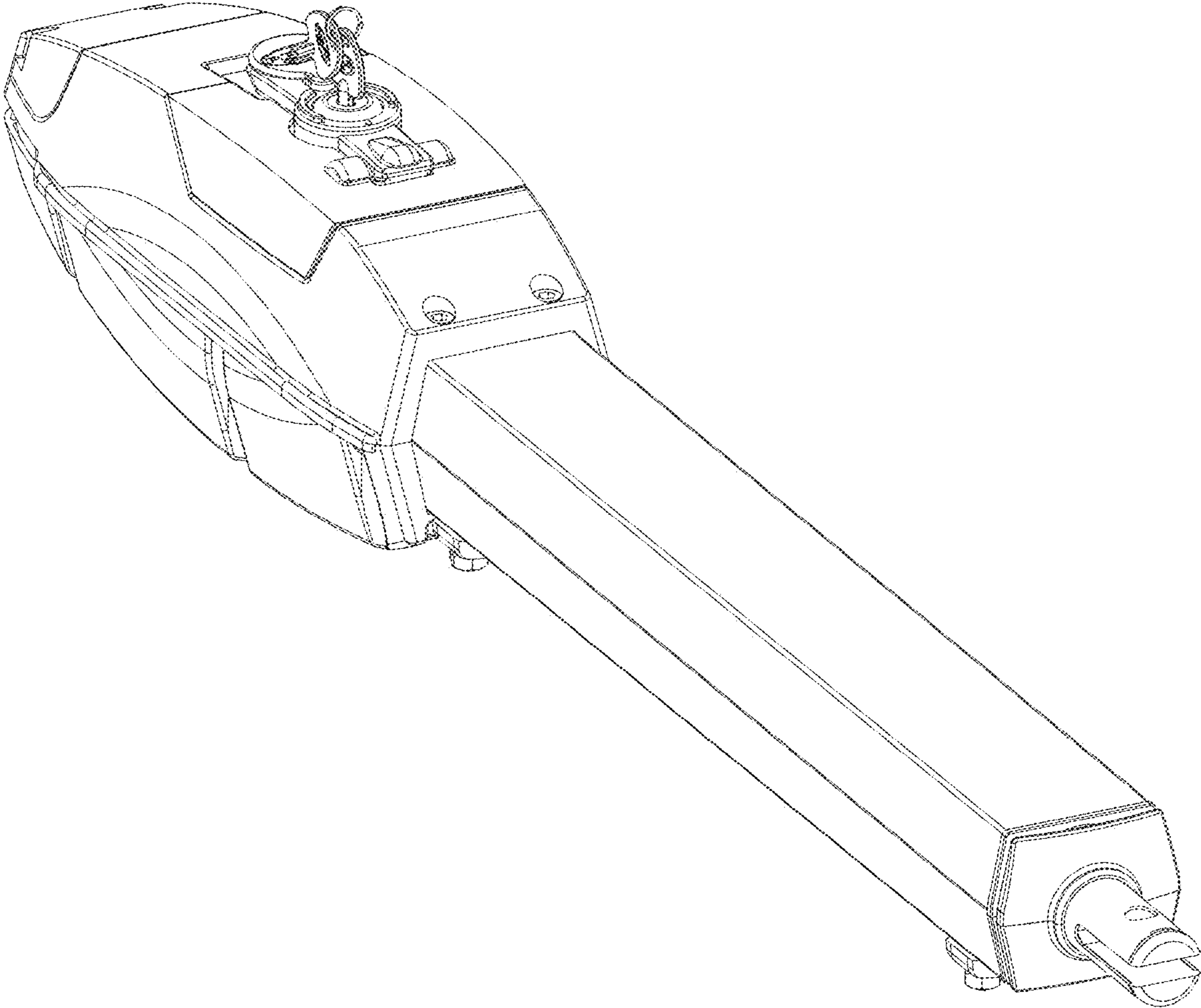


FIG. 1

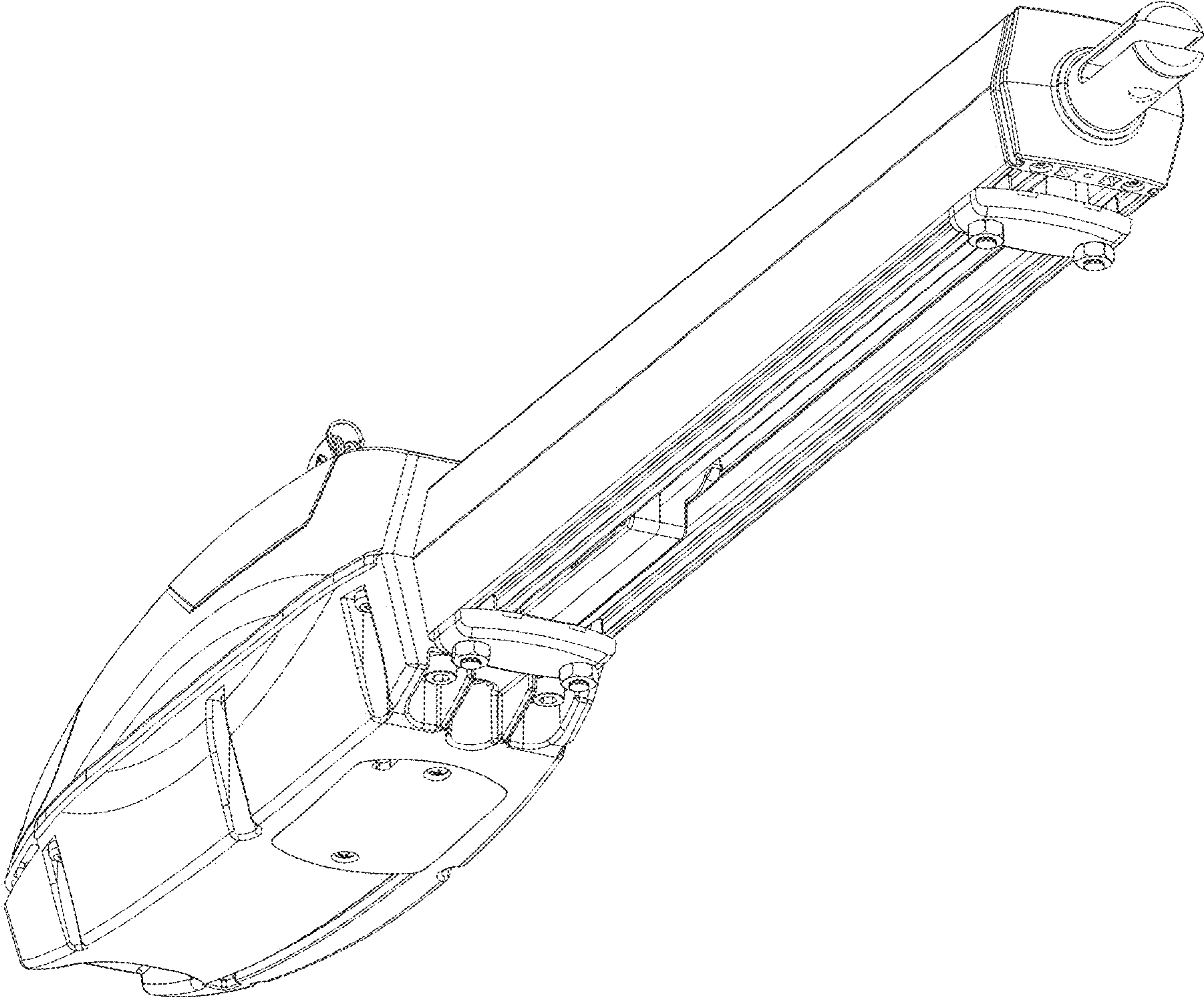


FIG. 2

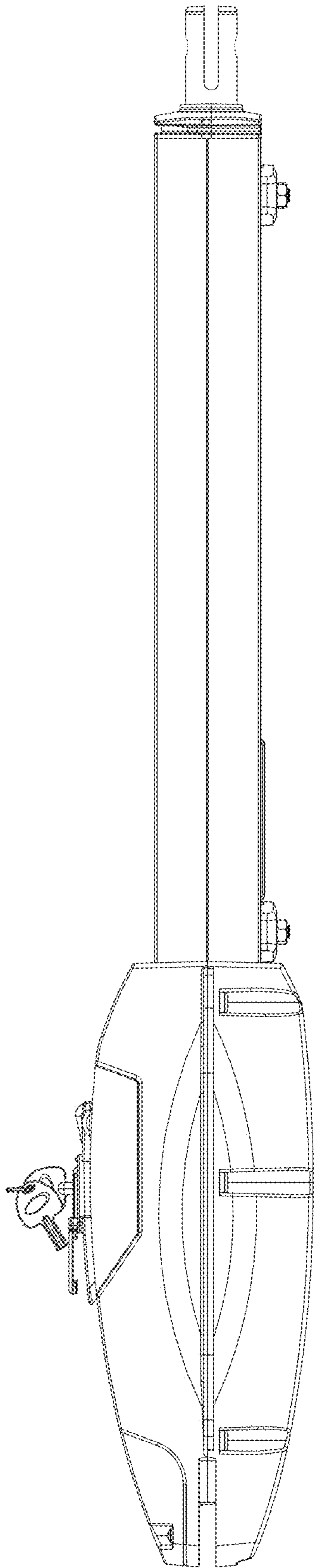


FIG. 3

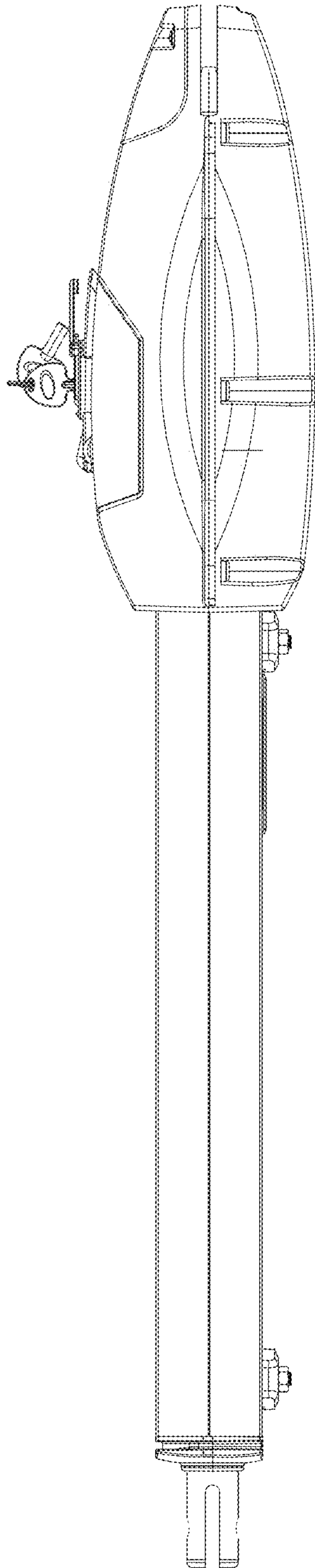


FIG. 4

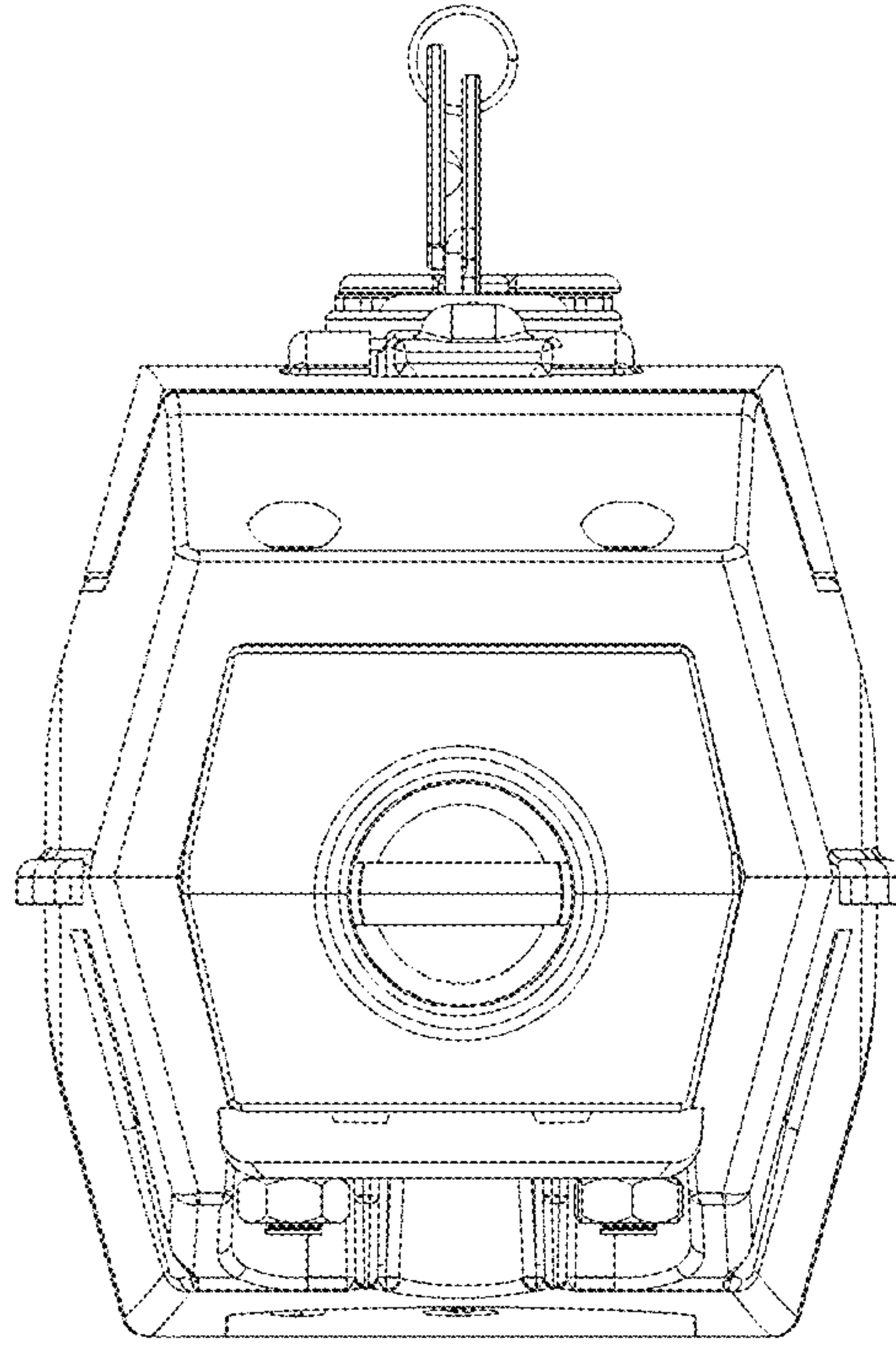


FIG. 5

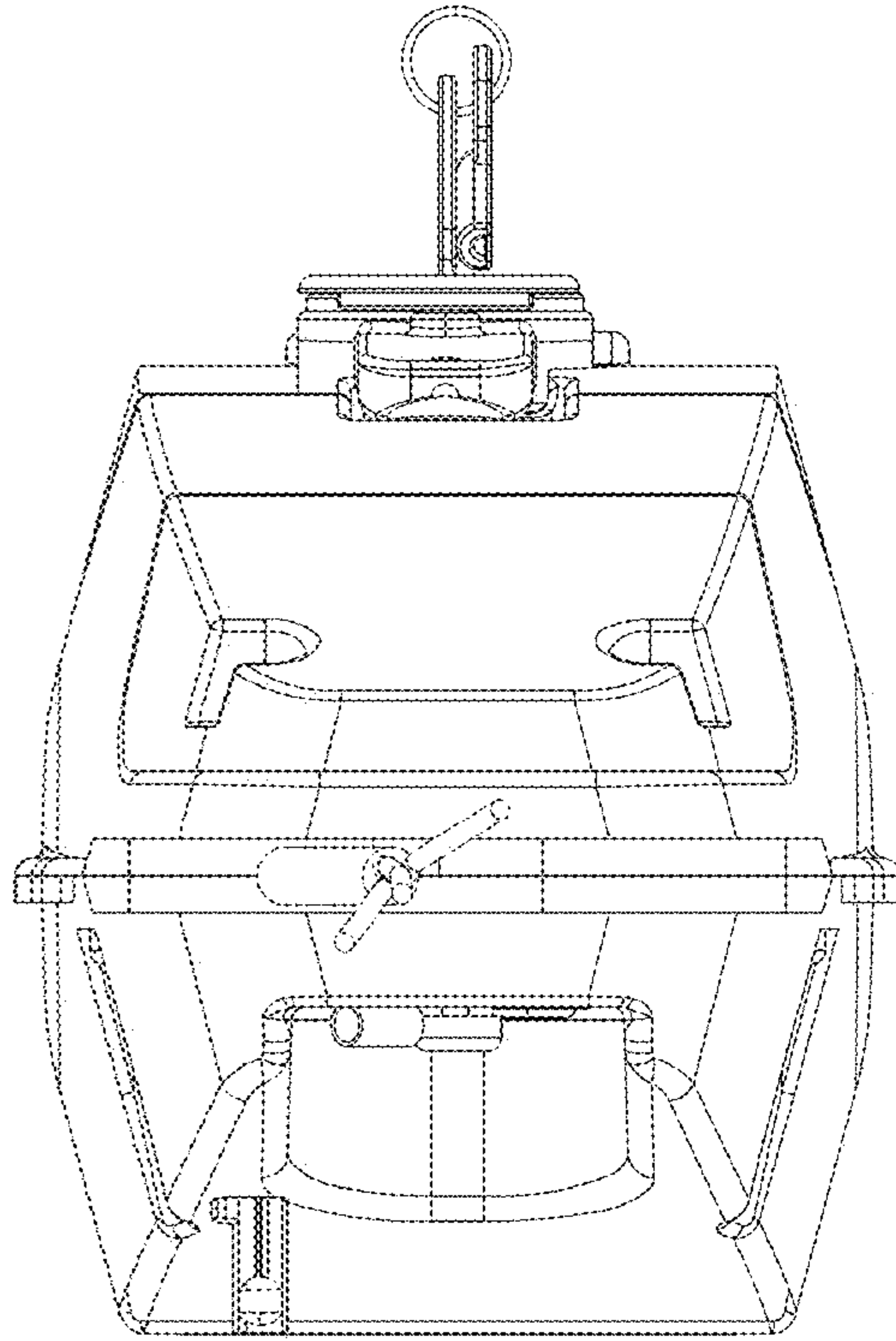


FIG. 6

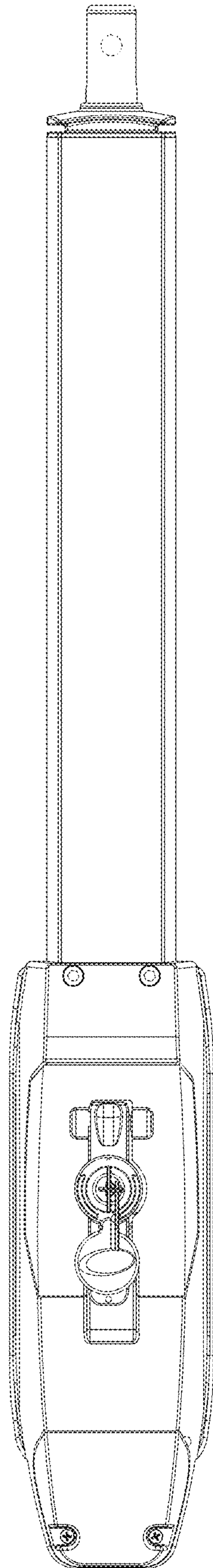


FIG. 7

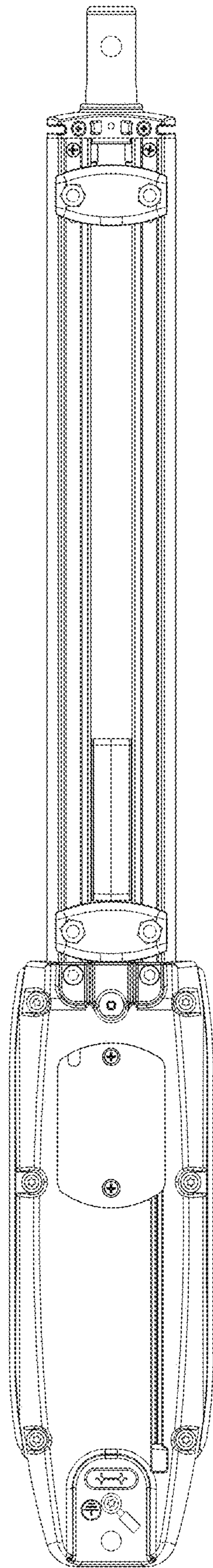


FIG. 8