



US00D909614S

(12) **United States Design Patent**
Holland

(10) **Patent No.:** **US D909,614 S**

(45) **Date of Patent:** **** Feb. 2, 2021**

(54) **GRAB RAIL WITH END LIGHTS**

(71) Applicant: **Evekare Pty Ltd**, Sydney (AU)

(72) Inventor: **Glenn Holland**, Botany (AU)

(73) Assignee: **Evekare Pty Ltd**, Sydney (AU)

(**) Term: **15 Years**

(21) Appl. No.: **29/676,473**

(22) Filed: **Jan. 11, 2019**

(30) **Foreign Application Priority Data**

Sep. 28, 2018 (AU) 201815820

(51) **LOC (13) Cl.** **26-05**

(52) **U.S. Cl.**
USPC **D25/41.1**; D26/118

(58) **Field of Classification Search**
USPC D26/25–26, 51, 60, 72, 88, 93, 118, 138,
D26/140; D25/41.1; D6/513, 546,
D6/549–550; D8/300, 302, 315–320
CPC ... E01F 11/18; E01F 11/1802; F21V 23/0442;
E04F 2011/1872; F21S 4/20
See application file for complete search history.

(56) **References Cited**

U.S. PATENT DOCUMENTS

- 5,450,299 A * 9/1995 Lepre E04F 11/1804
362/145
- D395,725 S * 6/1998 West D26/24
- D492,530 S * 7/2004 Chen D6/549
- D516,349 S * 3/2006 Ferrer Beltran D6/549
- D529,323 S * 10/2006 Gilbert D6/550
- D608,018 S * 1/2010 Stimpson D25/41.1
- D630,768 S * 1/2011 Witiak D25/41.1
- D647,213 S * 10/2011 Seehof D25/41.1
- D647,214 S * 10/2011 Seehof D25/41.1
- D647,215 S * 10/2011 Seehof D25/41.1
- D647,629 S * 10/2011 Seehof D25/41.1
- D647,630 S * 10/2011 Seehof D25/41.1

- D647,631 S * 10/2011 Seehof D25/41.1
- D658,745 S * 5/2012 Obara D23/304
- D658,746 S * 5/2012 Obara D23/304
- D683,471 S * 5/2013 Mukith D25/38.1
- D740,099 S * 10/2015 Chang D8/316

(Continued)

OTHER PUBLICATIONS

www.grabbarspecialists.com. Life Line Skyline Grab Bar. Undated online product page. Retrieved on Aug. 25, 2020 from <https://www.grabbarspecialists.com/Life-Line-Skyline-Grab-Bar> (Year: 2020).*

(Continued)

Primary Examiner — Sheryl Lane

Assistant Examiner — Stacey L Hopkins

(74) *Attorney, Agent, or Firm* — The Webb Law Firm

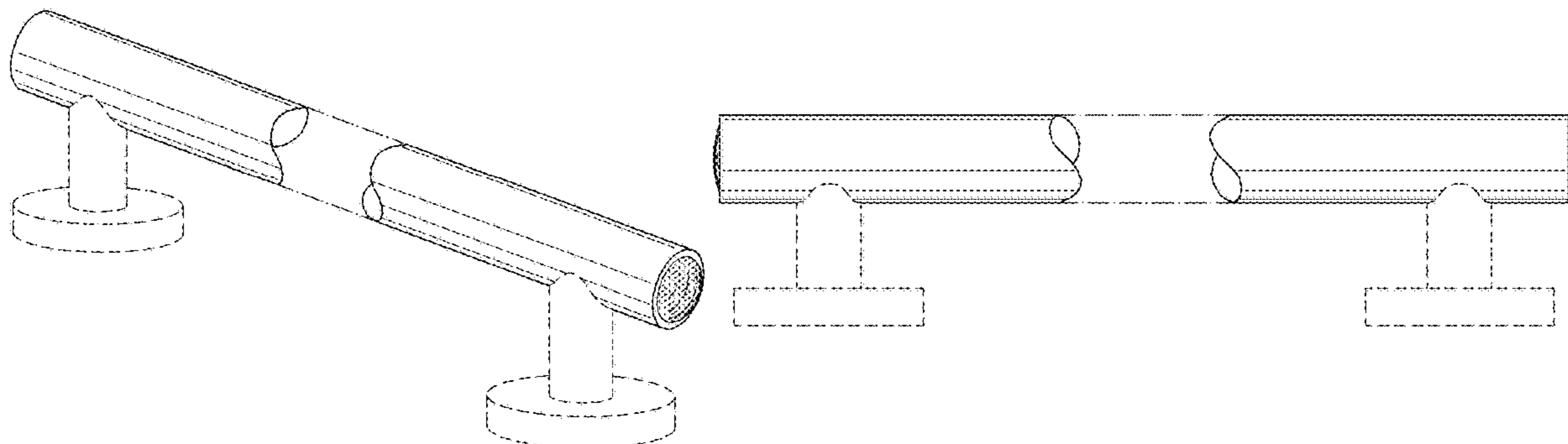
(57) **CLAIM**

The ornamental design for a grab rail with end lights, as shown and described.

DESCRIPTION

FIG. 1 is a front right perspective view of a grab rail with end lights, showing my new design;
 FIG. 2 is a front left perspective view thereof;
 FIG. 3 is a top view thereof;
 FIG. 4 is a bottom view thereof;
 FIG. 5 is a front elevation view thereof;
 FIG. 6 is a rear elevation view thereof;
 FIG. 7 is a right side elevation view thereof; and,
 FIG. 8 is a left side elevation view thereof.
 The portions of the grab rail with end lights shown in broken lines form no part of the claimed design.
 The grab rail with end lights is shown with a symbolic break in its length, the appearance of any portion of the grab rail with end lights extending within the symbolic break forms no part of the claimed design.

1 Claim, 4 Drawing Sheets



(56)

References Cited

U.S. PATENT DOCUMENTS

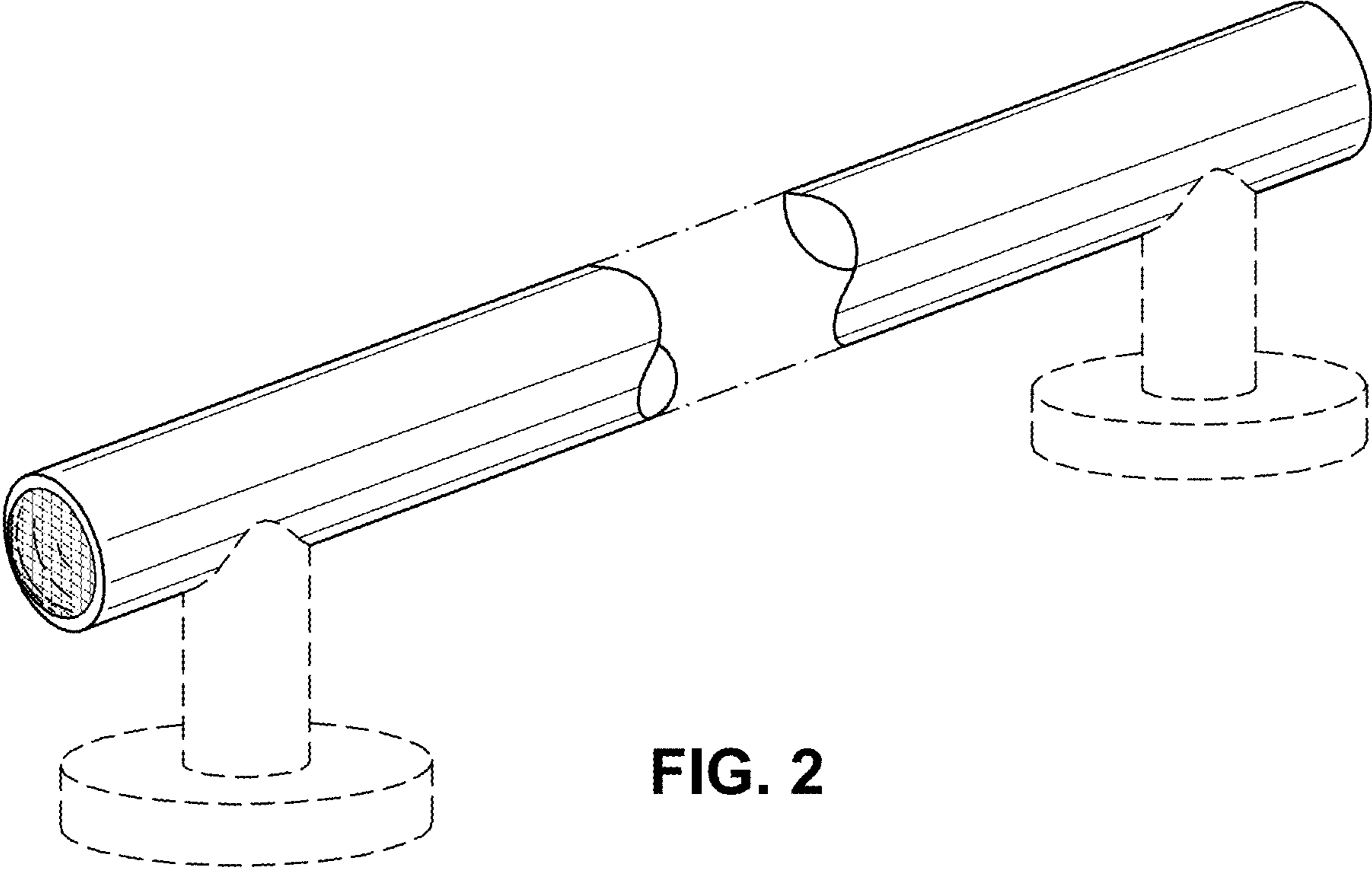
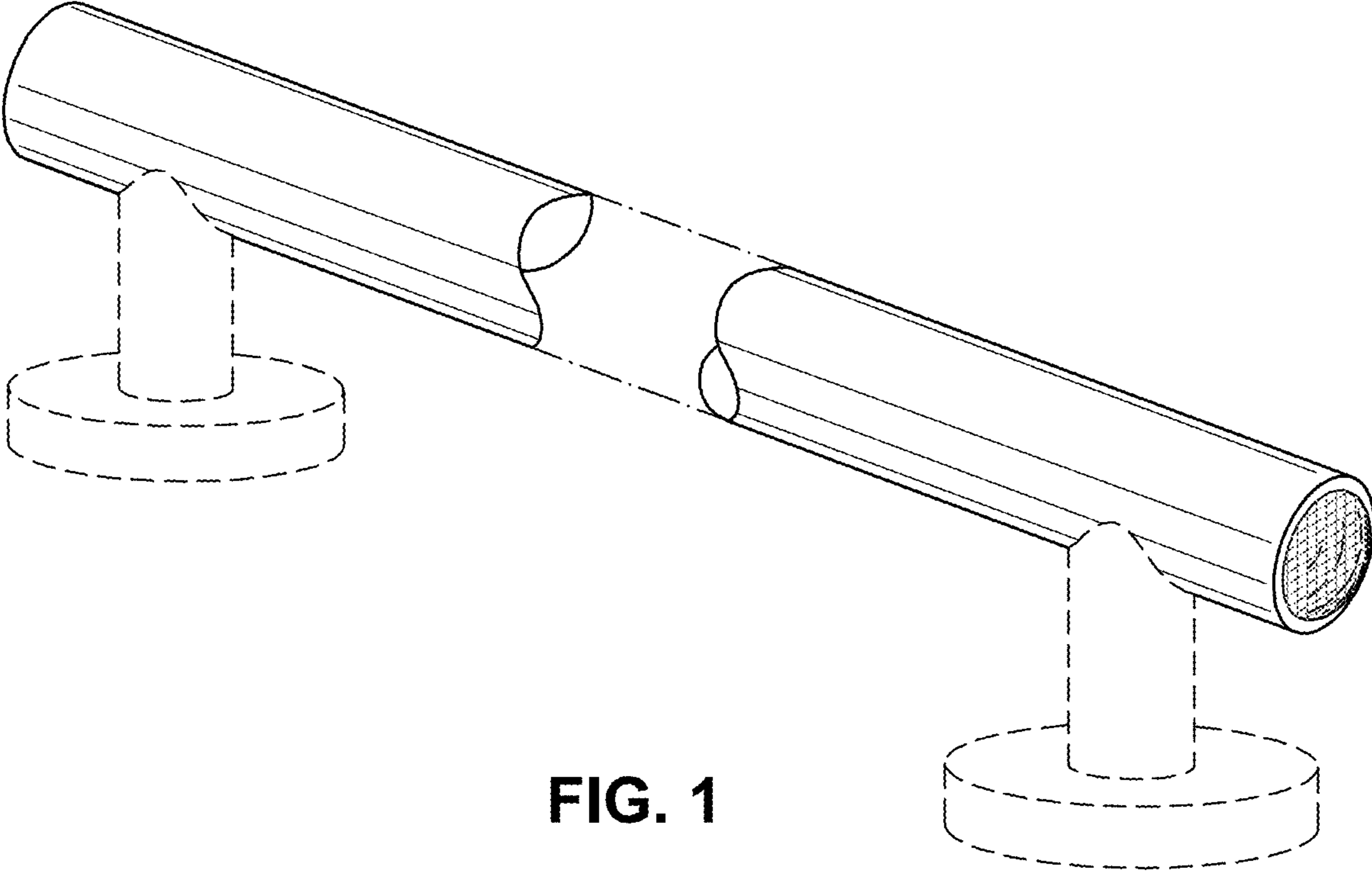
D751,243 S * 3/2016 Seehof D26/118
D759,886 S * 6/2016 Seehof D26/118
D759,887 S * 6/2016 Seehof D26/118
D759,888 S * 6/2016 Seehof D26/118
D759,889 S * 6/2016 Seehof D26/118
D760,425 S * 6/2016 Seehof D26/118
D836,945 S * 1/2019 Rutgers D6/549
D842,073 S * 3/2019 Minale D8/315
D880,271 S * 4/2020 Czuhajewski D8/315
2013/0182428 A1 * 7/2013 Seehof B60Q 1/24
362/220
2020/0102753 A1 * 4/2020 Holland E04F 11/1802

OTHER PUBLICATIONS

www.build.com. Delta 24" Grab Bar with Concealed Mounting. Undated online product page. Retrieved on Sep. 12, 2020 from <<https://www.build.com/delta-41824/s940430?uid=2417657>> (Year: 2020).*

amazon.co.uk. Delta Faucet 41824, 24-inch Contemporary Grab Bar, Polished Chrome. Date uploaded Sep. 2, 2014 [site visited Sep. 12, 2020]. Retrieved from internet, <[https://www.amazon.co.uk/Delta-Faucet-41824-Contemporary-Polished/dp/B00I2HHIBC/ref=sr_1_42?dchild . . .](https://www.amazon.co.uk/Delta-Faucet-41824-Contemporary-Polished/dp/B00I2HHIBC/ref=sr_1_42?dchild=. . .)> (Year: 2014).*

* cited by examiner



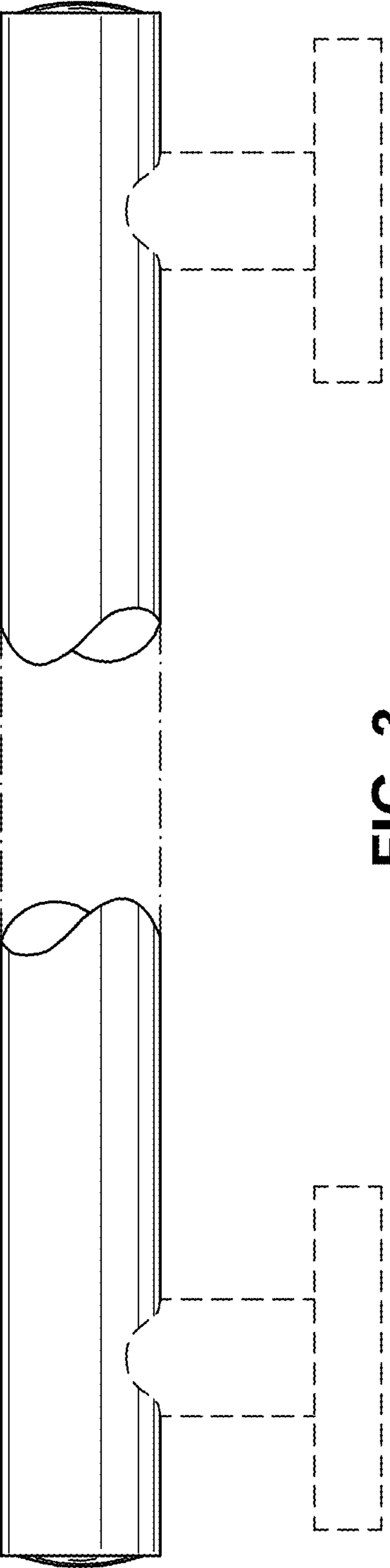


FIG. 3

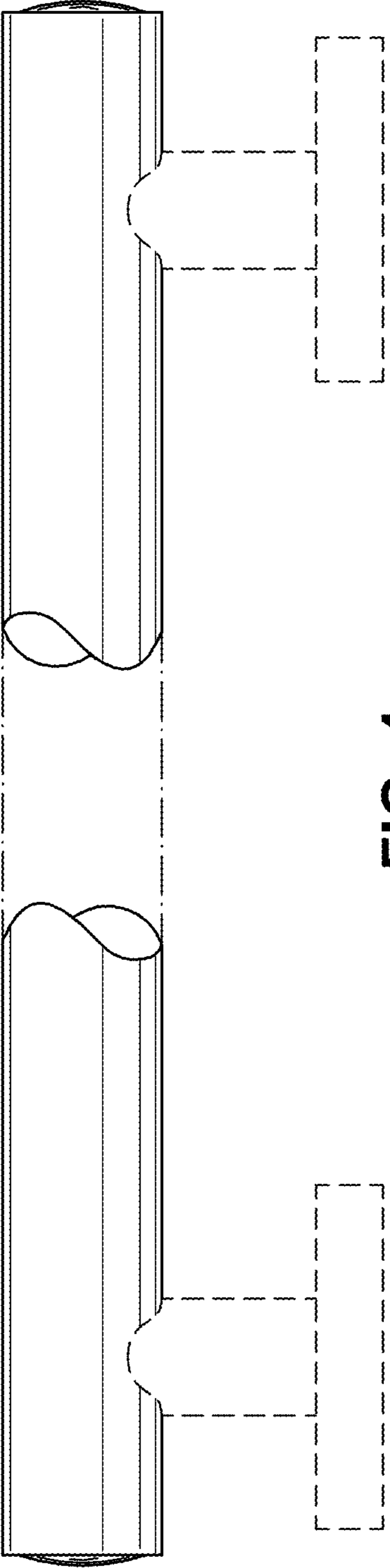


FIG. 4

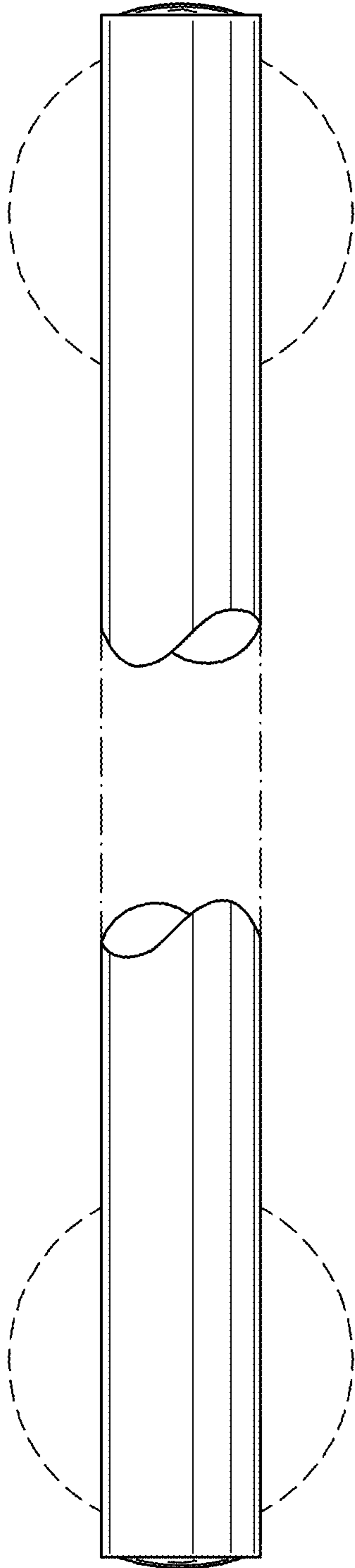


FIG. 5

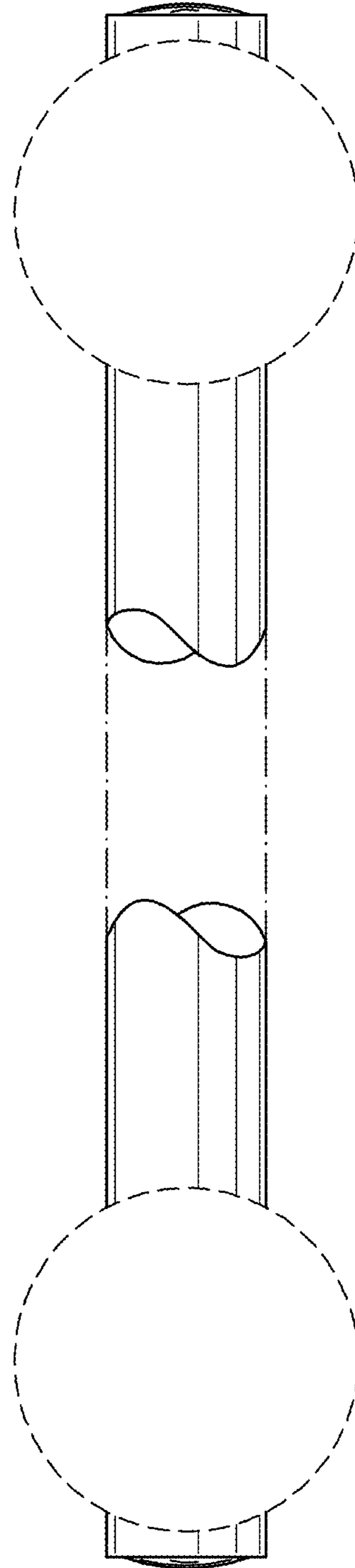


FIG. 6

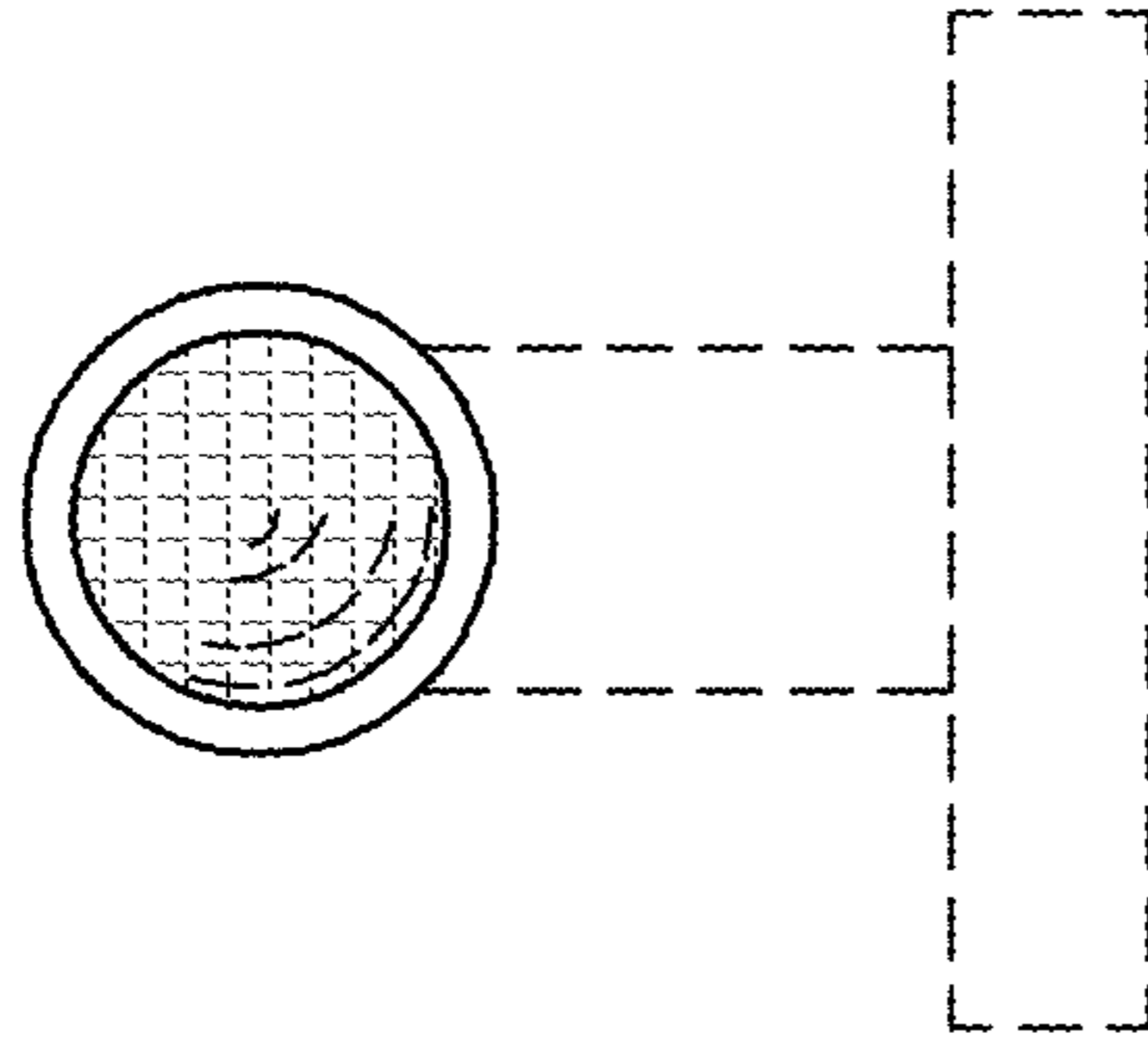


FIG. 8

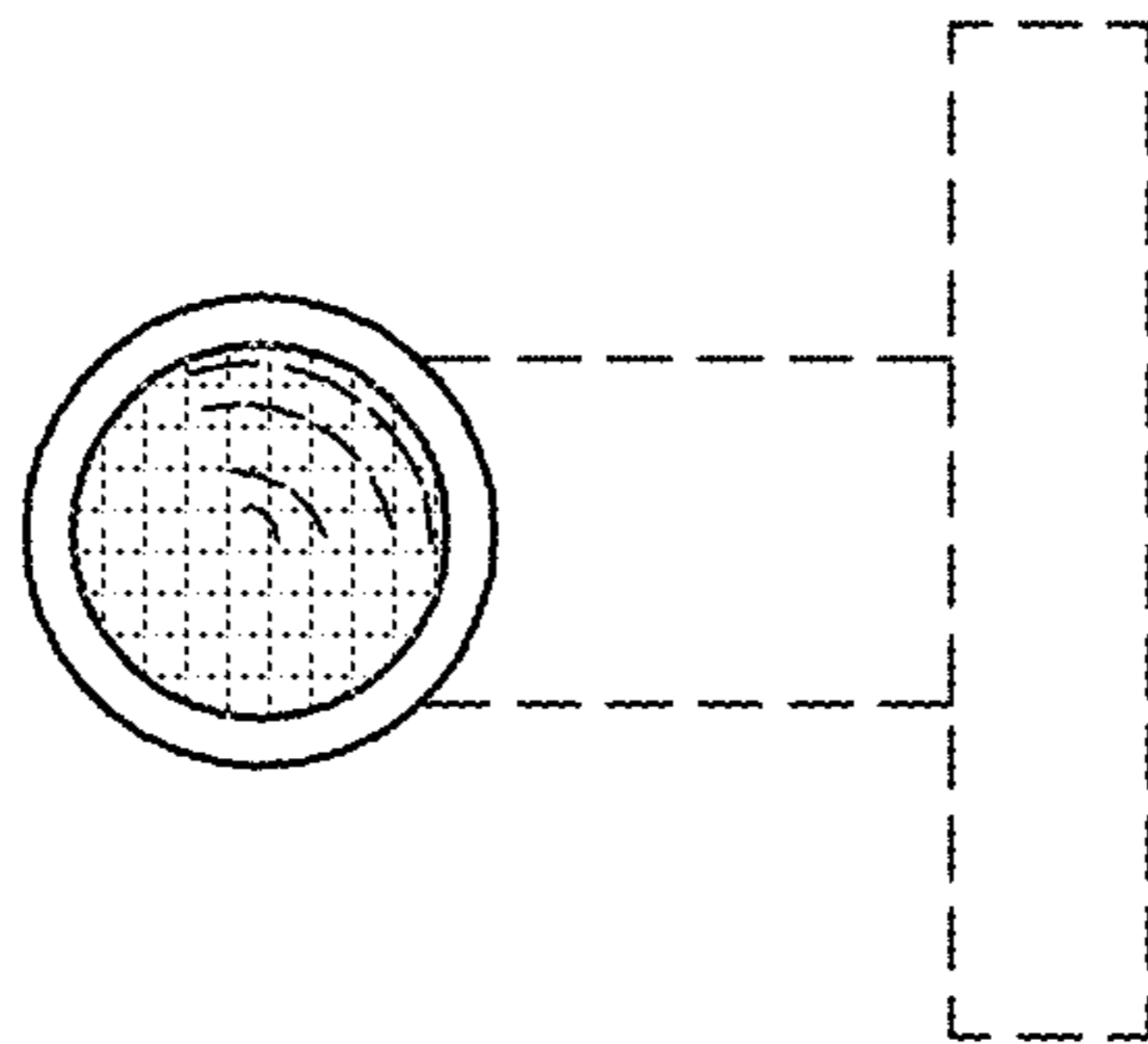


FIG. 7