



US00D909611S

(12) **United States Design Patent** (10) **Patent No.:** **US D909,611 S**  
**Austrheim** (45) **Date of Patent:** **\*\* Feb. 2, 2021**

(54) **GRID PILLAR FOR A STORAGE SYSTEM**  
(71) Applicant: **Autostore Technology AS**, Nedre Vats (NO)  
(72) Inventor: **Trond Austrheim**, Nedre Vats (NO)  
(73) Assignee: **Autostore Technology AS**, Nedre Vats (NO)  
(\*\*) Term: **15 Years**  
(21) Appl. No.: **35/507,281**  
(22) Filed: **Dec. 28, 2018**  
(80) **Hague Agreement Data**  
Int. Filing Date: **Dec. 28, 2018**  
Int. Reg. No.: **DM/202290**  
Int. Reg. Date: **Dec. 28, 2018**  
Int. Reg. Pub. Date: **Aug. 23, 2019**

(30) **Foreign Application Priority Data**  
Jul. 13, 2018 (NO) ..... 20180630  
(51) **LOC (13) Cl.** ..... **25-01**  
(52) **U.S. Cl.**  
USPC ..... **D25/1**  
(58) **Field of Classification Search**  
USPC .... D25/119, 35, 60, 61, 120, 121, 122, 123, D25/124, 125, 126, 127, 128, 129, 130, D25/131, 132, 133, 134, 135, 136, 164, D25/199; D6/702, 709.2, 709.21, 712; D8/354, 373, 374, 375, 376, 377, 380, D8/381, 382, 400, 402, 403, 499  
CPC .... A47B 2210/0091; A47B 2210/0094; E04B 1/82; E04B 1/84; E04B 2001/747; E04B 2009/186; E05B 77/38; E05B 77/42; E04C 3/00; E04C 3/005; E04C 3/02; E04C 3/12; E04C 3/20; E04C 3/28; E04C 3/30; B65G 1/0464; B65G 1/0492; B65G 1/1373

See application file for complete search history.

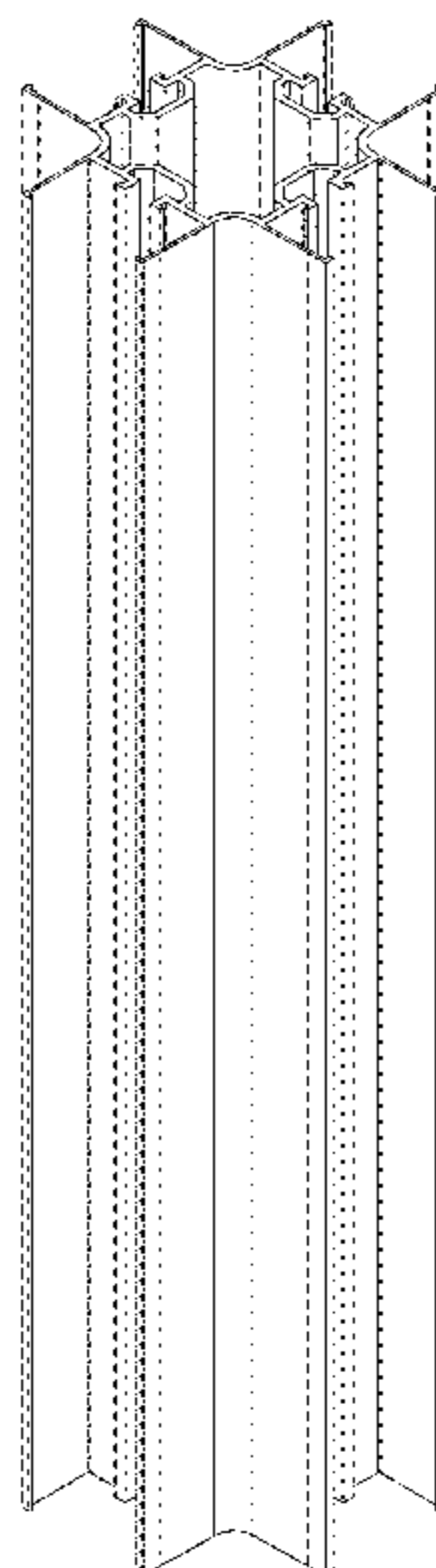
(56) **References Cited**  
U.S. PATENT DOCUMENTS  
D376,855 S \* 12/1996 Leung ..... D25/119  
D567,397 S \* 4/2008 Terada ..... D25/126  
D572,570 S \* 7/2008 Terada ..... D8/354  
D600,831 S \* 9/2009 Munakata ..... D25/126  
D620,610 S \* 7/2010 Selles ..... D25/60  
8,151,533 B2 \* 4/2012 Krieger ..... E04B 2/7453  
52/235  
D747,127 S \* 1/2016 Chang ..... D25/120  
D813,419 S \* 3/2018 Ollila ..... D25/119  
D831,232 S \* 10/2018 Dionne ..... D25/126  
D854,710 S \* 7/2019 Hendry ..... D25/126  
D872,884 S \* 1/2020 Carter ..... D25/119  
D872,895 S \* 1/2020 Hay, III ..... D25/124

\* cited by examiner  
*Primary Examiner* — Samantha Q Lawrence  
(74) *Attorney, Agent, or Firm* — Fish & Richardson P.C.

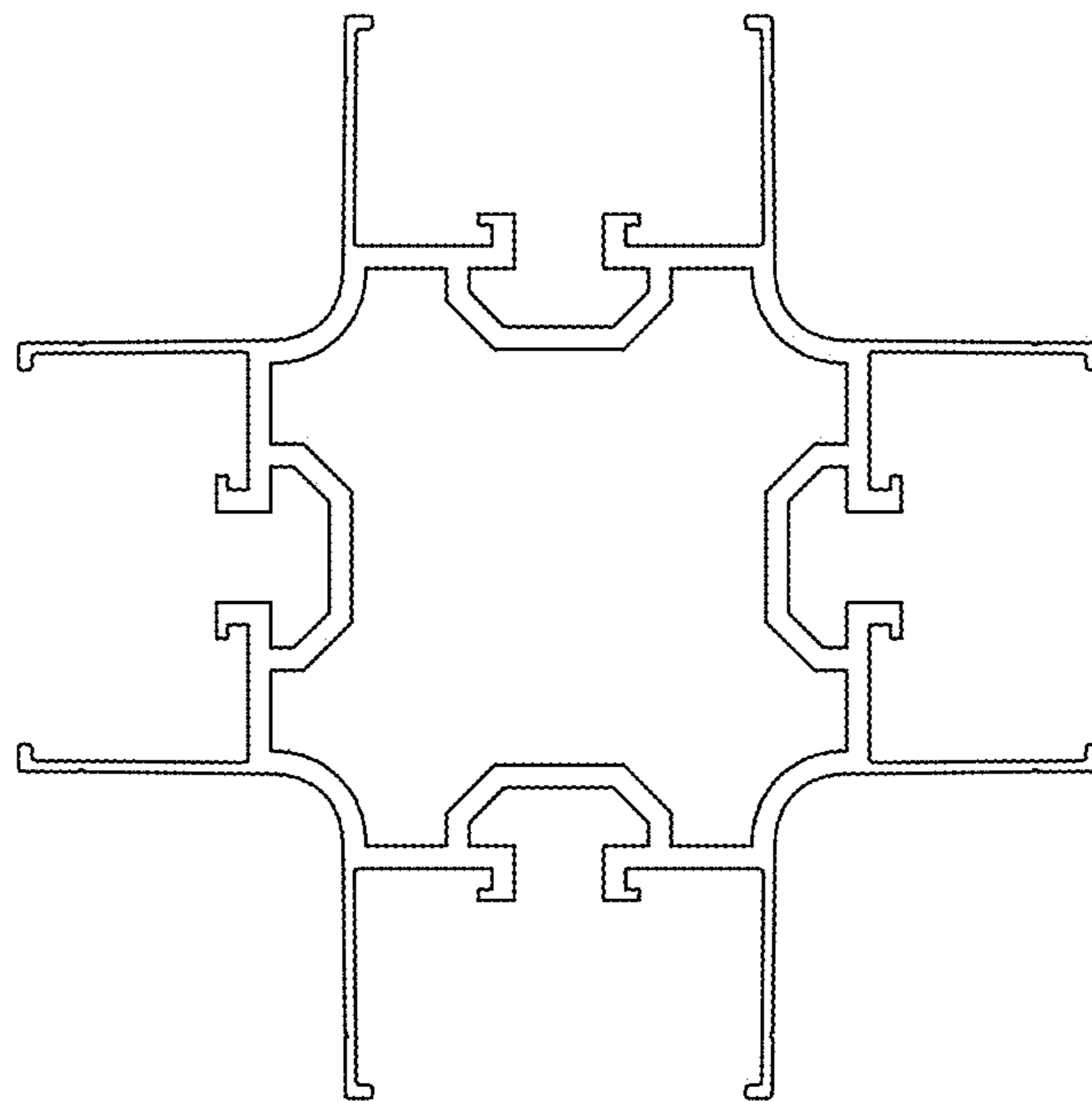
(57) **CLAIM**  
The ornamental design for a grid pillar for storage system, as shown and described.

**DESCRIPTION**  
Figure 1.1 is a top view of a first embodiment of a grid pillar for storage system;  
Figure 1.2 is a partial, enlarged front perspective view thereof;  
Figure 1.3 is a perspective view thereof;  
Figure 1.4 is another perspective view thereof; and  
Figure 1.5 is another top view thereof.  
Figure 2.0 is a perspective view of a second embodiment of a grid pillar for storage system.  
The broken lines illustrate environment of the grid pillar for storage system that form no part of the claimed design.  
The grid pillar for storage system is shown with a symbolic break in its length. The appearance of any portion of the article between the break lines forms no part of the claimed design.

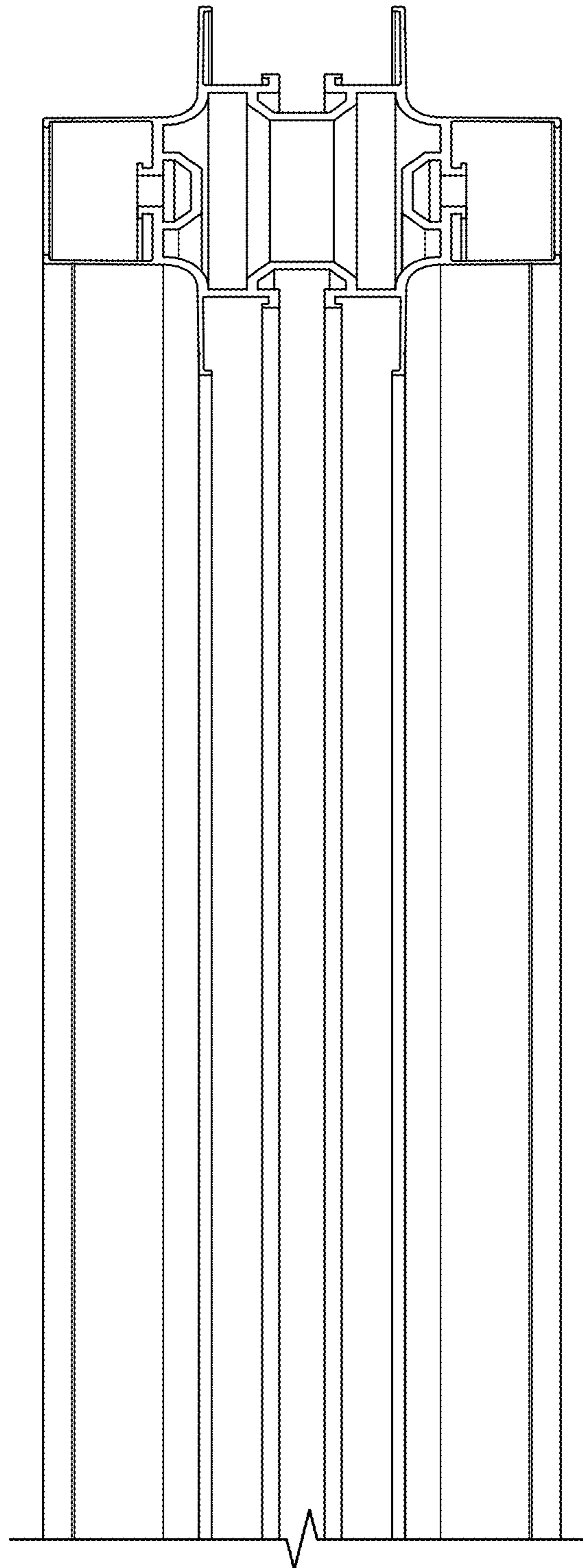
**1 Claim, 6 Drawing Sheets**



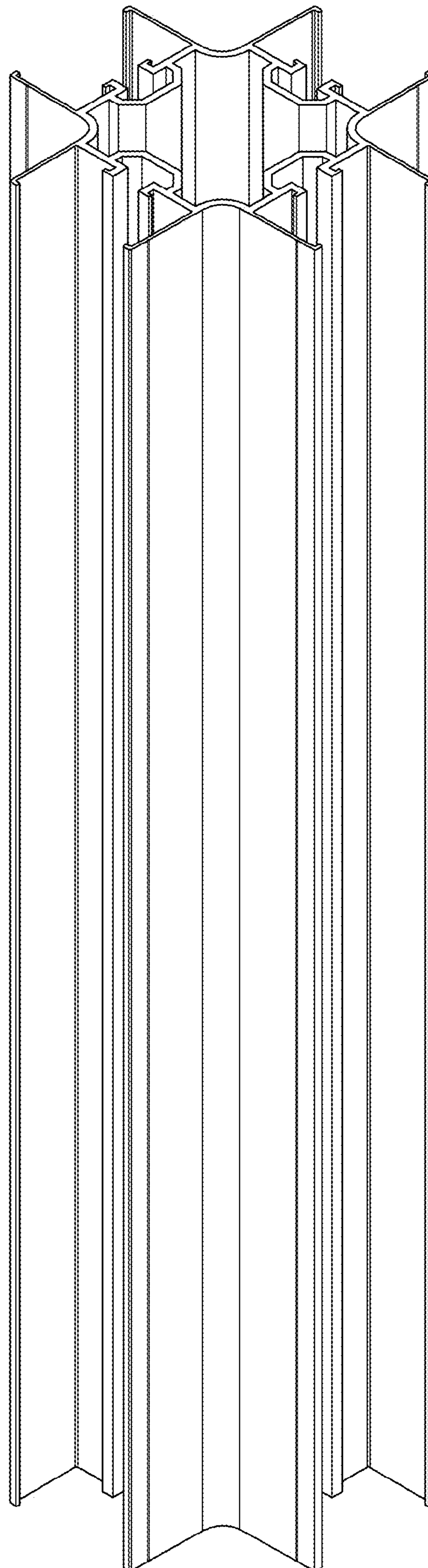
1.1



1.2

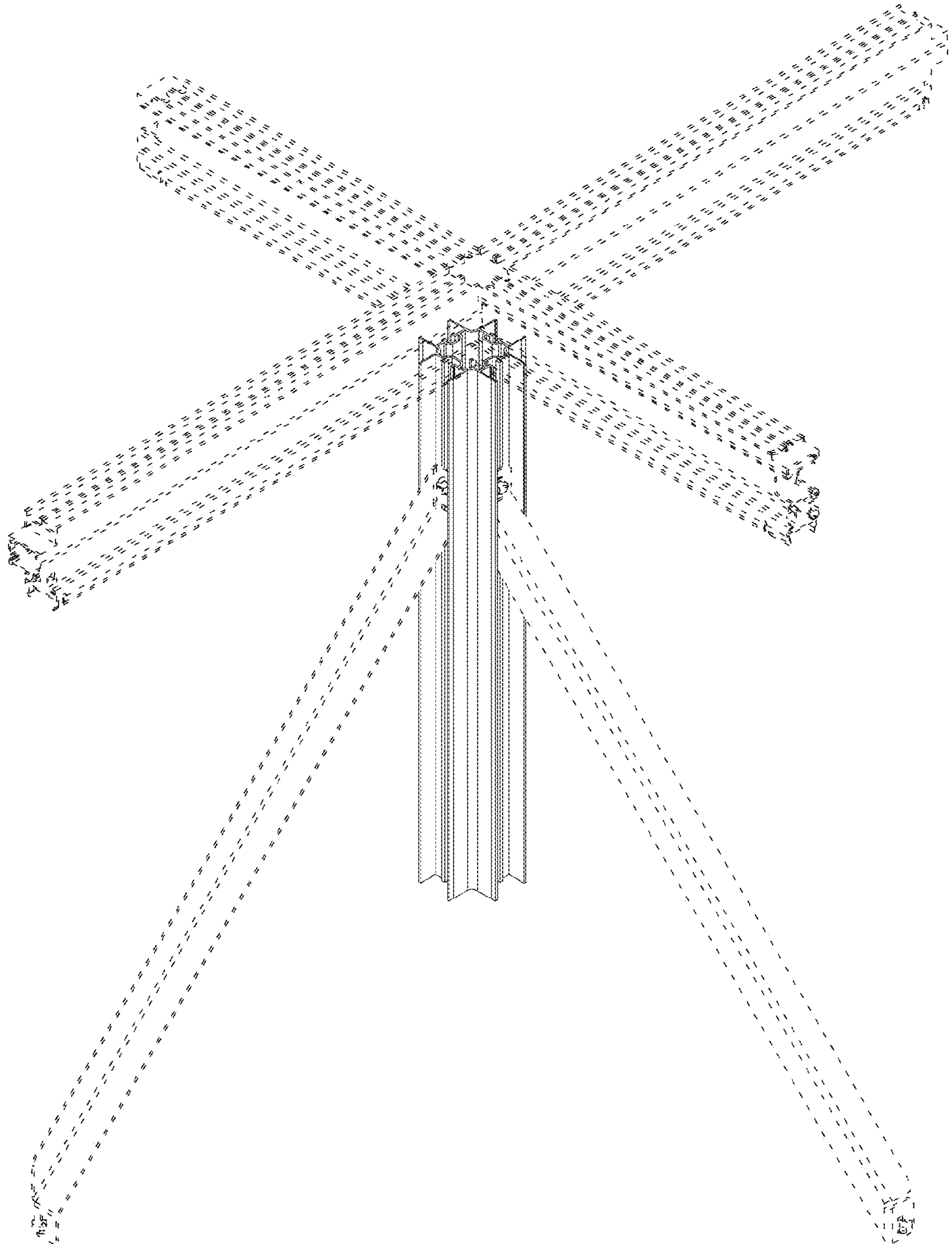


1.3

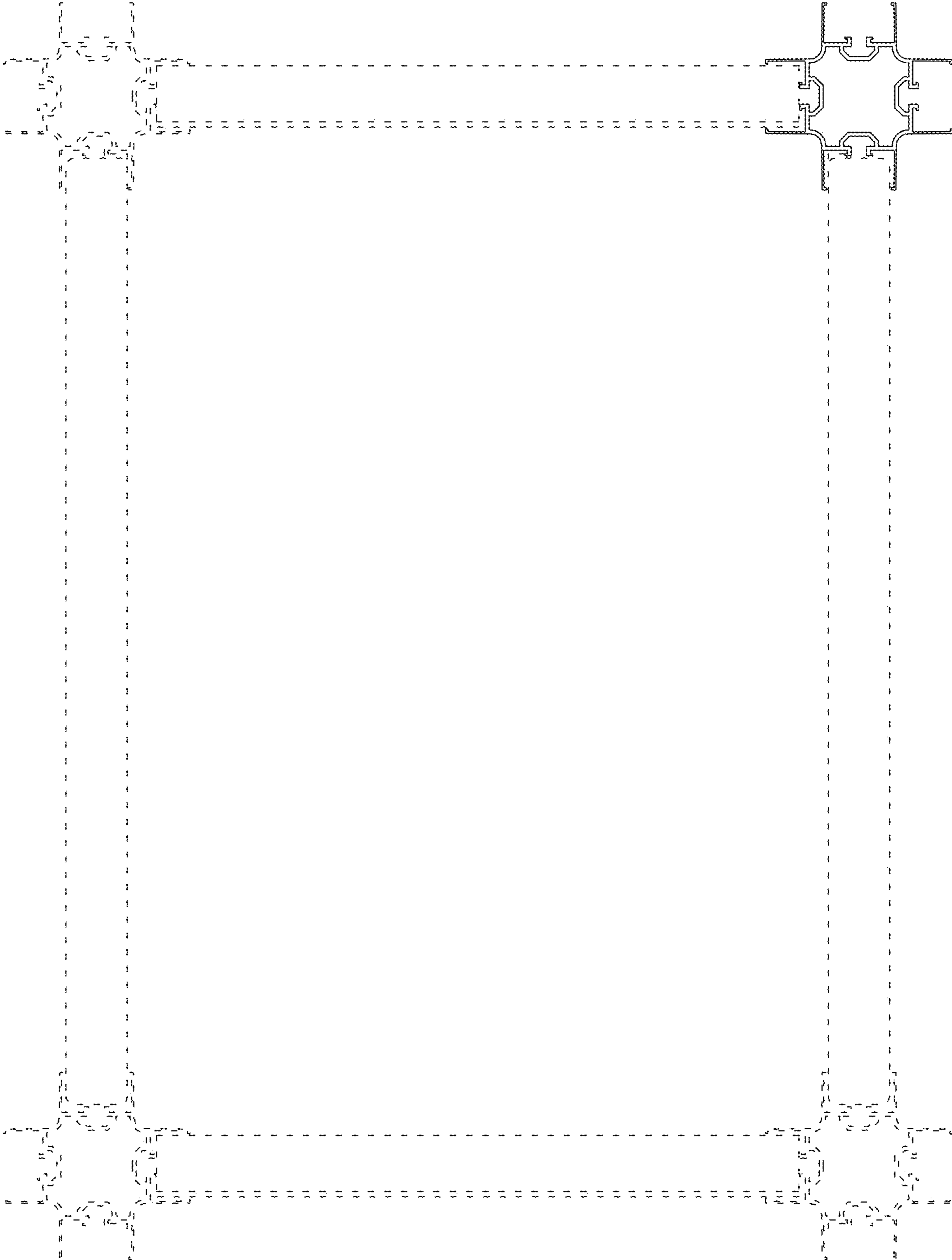




1.4



1.5



2.0

